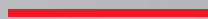




Ball Bearing Slide



DB3501

3-Fold ball bearing slide



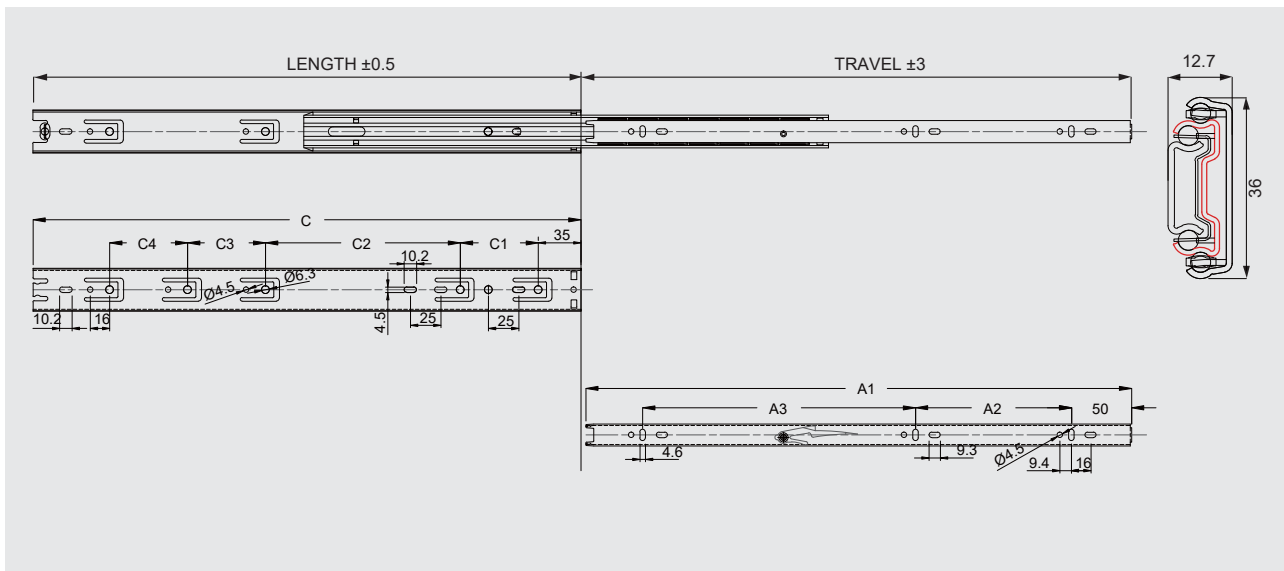
Technical specifications:

- Width: 35mm
- Size: 10"-24"
- Finish: color-zinc, black
- Material: cold-rolled steel
- Thickness Range: 1.2 x 1.0 x 1.2mm
- General full extension ball bearing slide. Chipboard screw on.
- Smooth motion on steel balls. Increased general mechanism.
- Length range from 250 to 600mm.

C

Ball Bearing Slide

Installation indication



Installation indication

Unit: mm

Model	Length	Travel	A1	A2	A3	C	C1	C2	C3	C4
DB3501-250	250	255	247	160	/	250	64	96	/	/
DB3501-300	300	300	297	224	/	300	64	128	/	/
DB3501-350	350	345	347	96	160	350	64	96	96	/
DB3501-400	400	405	397	128	192	400	64	160	64	/
DB3501-450	450	450	447	128	224	450	64	160	128	/
DB3501-500	500	505	497	160	256	500	64	160	128	/
DB3501-550	550	550	547	192	256	550	64	160	128	96
DB3501-600	600	600	597	224	256	600	64	160	128	128

SOFT - CLOSING

DD3501

3-Fold soft-closing ball bearing slide



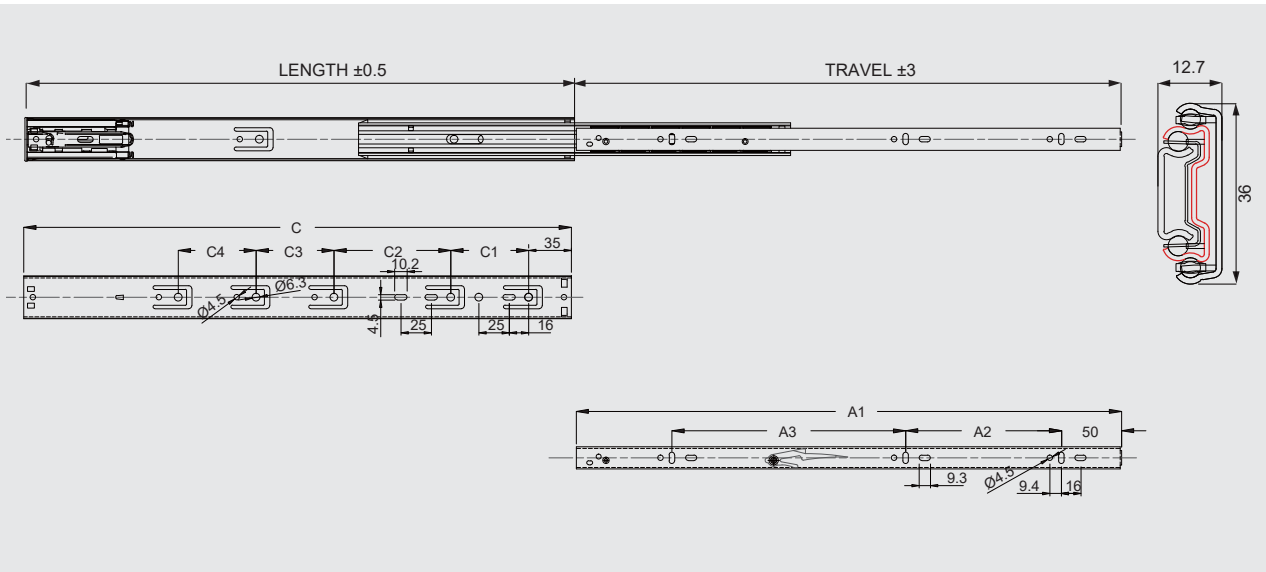
Ball Bearing Slide



Technical specifications:

- Width: 35mm
- Size: 10"-24"
- Finish: color-zinc, black
- Material: cold-rolled steel
- Thickness Range: 1.2 x 1.0 x 1.2mm
- Soft-closing full extension ball bearing slide. Chipboard screw on.
- Smooth motion on steel balls. Increased Soft-closing mechanism.
- Length range from 250 to 600mm.

Installation indication



Installation indication

Unit: mm

Model	Length	Travel	A1	A2	A3	C	C1	C2	C3	C4
DD3501-250	250	170	247	128	/	250	64	/	/	/
DD3501-300	300	270	297	192	/	300	64	/	/	/
DD3501-350	350	340	347	96	128	350	64	96	/	/
DD3501-400	400	395	397	128	160	400	64	160	/	/
DD3501-450	450	450	447	128	192	450	64	160	/	/
DD3501-500	500	500	497	160	224	500	64	160	96	/
DD3501-550	550	550	547	192	224	550	64	160	96	96
DD3501-600	600	600	597	224	256	600	64	160	96	96

PUSH - OPEN



DF3501

3-Fold push-open ball bearing slide

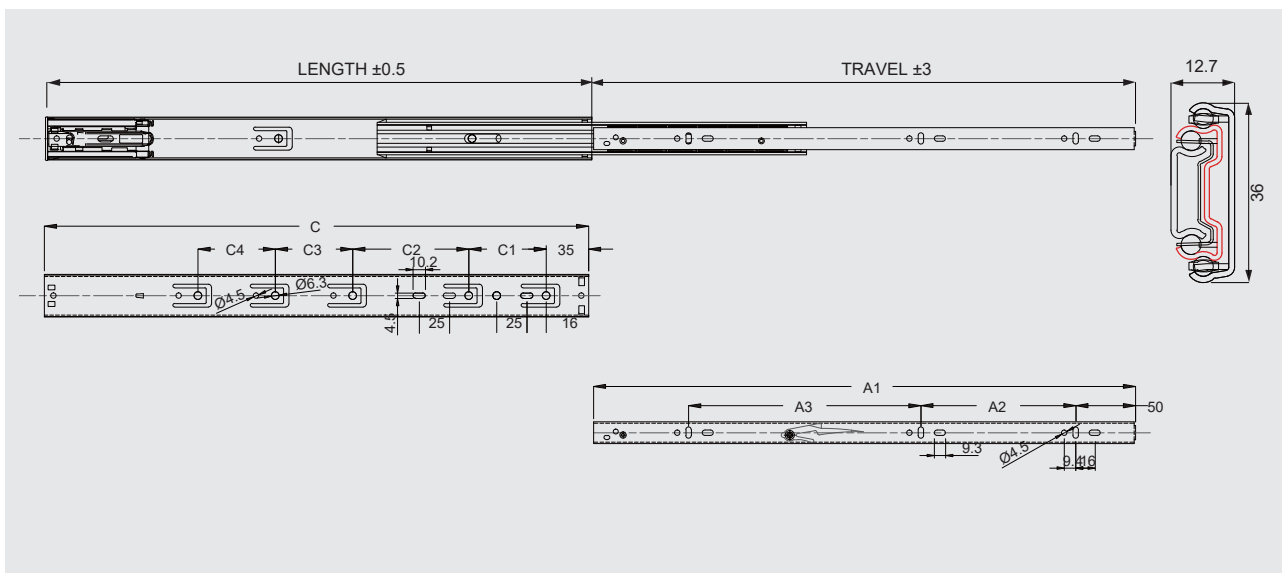


Technical specifications:

- Width: 35mm
- Size: 10"-24"
- Finish: color-zinc, black
- Material: cold-rolled steel
- Thickness Range: 1.2 x 1.0 x 1.2mm
- Push-open full extension ball bearing slide. Chipboard screw on.
- Smooth motion on steel balls. Increased Push-open mechanism.
- Length range from 250 to 600mm.

C
Ball Bearing Slide

Installation indication



Installation indication

Unit: mm

Model	Length	Travel	A1	A2	A3	C	C1	C2	C3	C4
DF3501-250	250	255	247	160	/	250	64	96	/	/
DF3501-300	300	300	297	224	/	300	64	128	/	/
DF3501-350	350	345	347	96	160	350	64	96	96	/
DF3501-400	400	405	397	128	192	400	64	160	64	/
DF3501-450	450	450	447	128	224	450	64	160	128	/
DF3501-500	500	505	497	160	256	500	64	160	128	/
DF3501-550	550	550	547	192	256	550	64	160	128	96
DF3501-600	600	600	597	224	256	600	64	160	128	128

GENERAL

DB4501

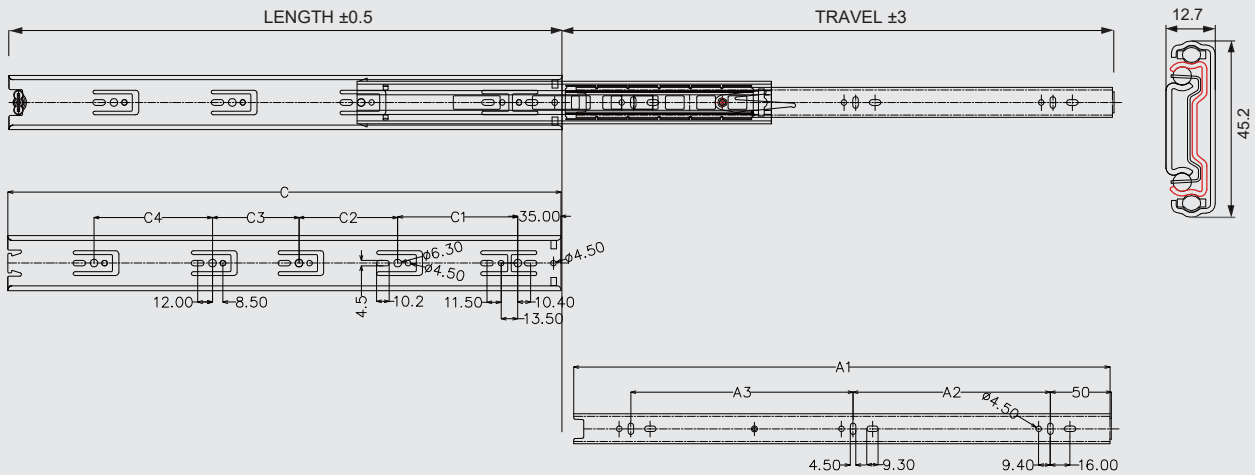
3-Fold ball bearing slide



Technical specifications:

- Width: 45mm
- Size: 10"-24"
- Finish: color-zinc, black
- Material: cold-rolled steel
- Thickness Range: 1.0 x 1.0 x 1.2mm
1.2 x 1.2 x 1.5mm
- General full extension ball bearing slide. Chipboard screw on.
- Smooth motion on steel balls. Increased General mechanism.
- Length range from 250 to 600mm.

Installation indication



Installation indication

Unit: mm

Model	Length	Travel	A1	A2	A3	C	C1	C2	C3	C4
DB4501-250	250	250	246.8	169	/	250	96	64	/	/
DB4501-300	300	300	296.8	96	128	300	128	96	/	/
DB4501-350	350	355	346.8	128	128	350	128	128	/	/
DB4501-400	400	400	396.8	128	192	400	128	96	64	/
DB4501-450	450	450	446.8	160	192	450	128	96	128	/
DB4501-500	500	505	496.8	192	224	500	128	96	128	/
DB4501-550	550	550	546.8	224	224	550	128	96	128	96
DB4501-600	600	600	596.8	224	288	600	128	96	128	128

SOFT - CLOSING



DD4509

3-Fold soft-closing ball bearing slide



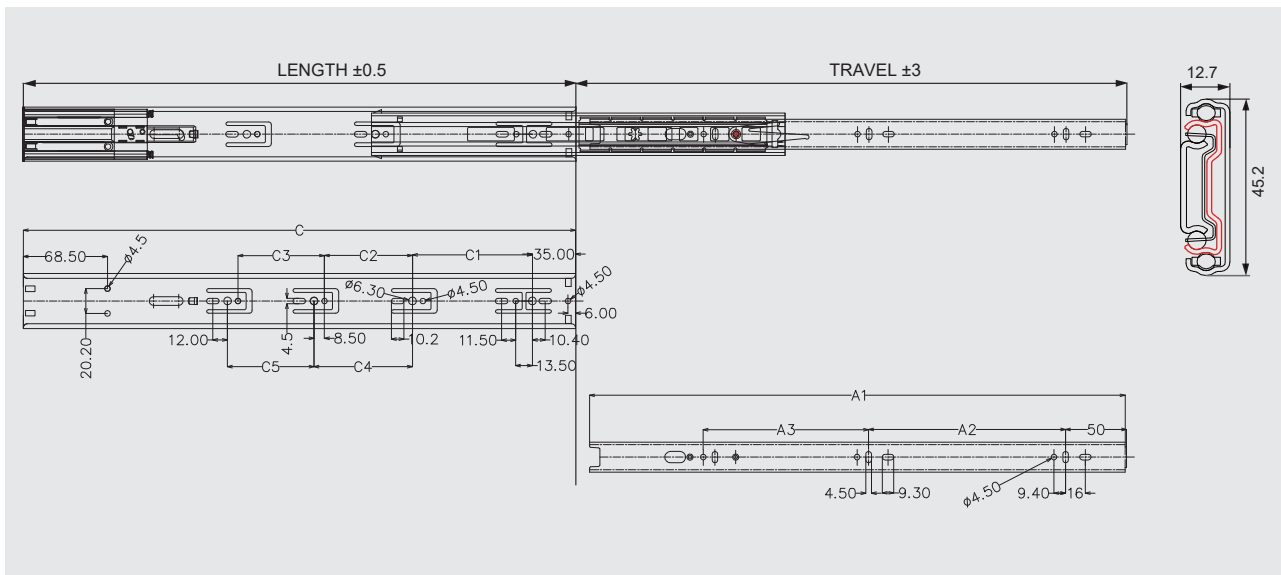
Technical specifications:

- Width: 45mm
- Size: 10"-24"
- Finish: color-zinc, black
- Material: cold-rolled steel
- Thickness Range: 1.0 x 1.0 x 1.2mm
1.2 x 1.2 x 1.5mm
- Soft-closing full extension ball bearing slide. Chipboard screw on.
- Smooth motion on steel balls. Increased Soft-closing mechanism.
- Length range from 250 to 600mm.



Ball Bearing Slide

Installation indication



Installation indication

Unit: mm

Model	Length	Travel	A1	A2	A3	C	C1	C2	C3	C4	C4
DD4509-250	250	130	235	90	/	248.5	/	/	/	/	/
DD4509-300	300	230	285	64	76	298.5	96	/	/	/	/
DD4509-350	350	300	335	96	94	348.5	72.5	55.5	/	64	/
DD4509-400	400	380	385	128	112	398.5	128	55.5	/	64	/
DD4509-450	450	445	435	160	134.4	448.5	128	96	/	104.5	/
DD4509-500	500	495	485	192	137.4	498.5	128	96	64	104.5	64
DD4509-550	550	545	535	192	201.4	548.5	128	96	96	104.5	96
DD4509-600	600	595	585	224	201.4	598.5	128	96	128	104.5	128

PUSH - OPEN

DF4503

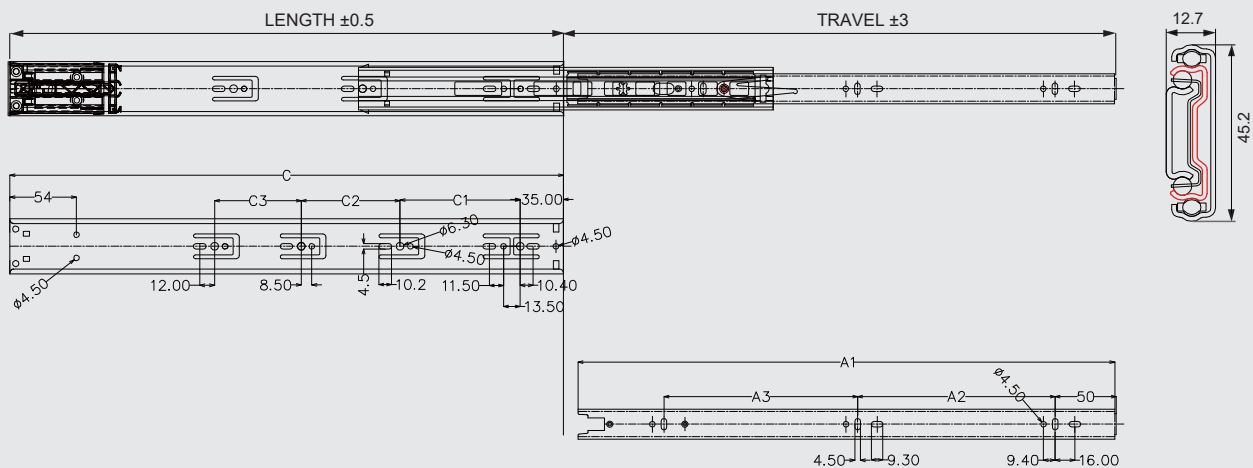
3-Fold push-open ball bearing slide



Technical specifications:

- Width: 45mm
- Size: 10"-24"
- Finish: color-zinc, black
- Material: cold-rolled steel
- Thickness Range: 1.0 x 1.0 x 1.2mm
1.2 x 1.2 x 1.5mm

Installation indication



Installation indication

Unit: mm

Model	Length	Travel	A1	A2	A3	C	C1	C2	C3
DF4503-250	250	175	235	128	/	248.5	64	/	/
DF4503-300	300	245	285	192	/	298.5	96	/	/
DF4503-350	350	315	335	96	128	348.5	96	64	/
DF4503-400	400	375	385	128	160	398.5	128	64	/
DF4503-450	450	430	435	160	160	448.5	128	128	/
DF4503-500	500	475	485	192	192	498.5	128	96	64
DF4503-550	550	525	535	192	224	548.5	128	96	128
DF4503-600	600	595	585	224	256	598.5	128	128	128

SOFT - CLOSING & PUSH - OPEN



DA4501

3-Fold soft-closing & push-open ball bearing slide

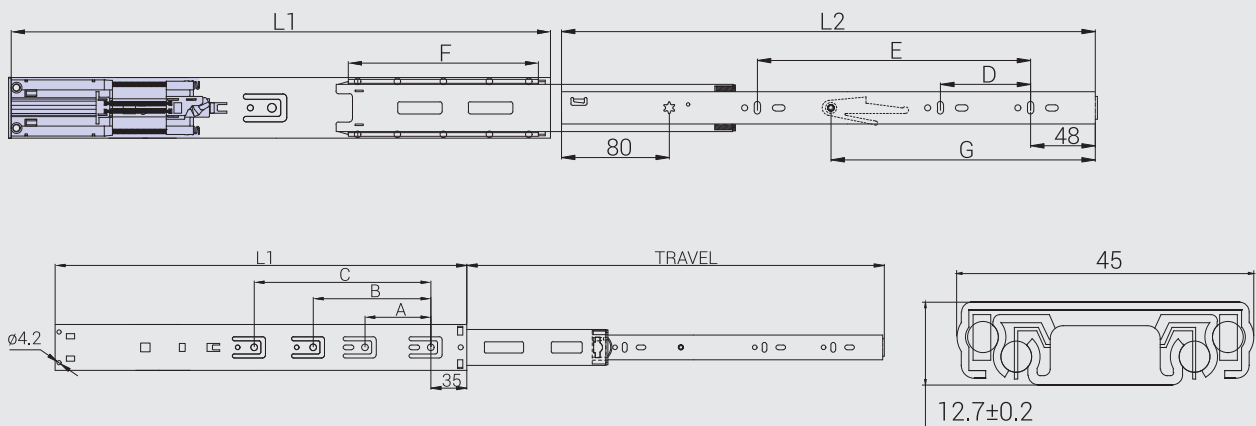


Technical specifications:

- Width: 45mm
- Size: 14"-24"
- Finish: color-zinc, black
- Material: cold-rolled steel
- Thickness Range: 1.0 x 1.0 x 1.2mm
1.2 x 1.2 x 1.4mm

C
Ball Bearing Slide

Installation indication



Installation indication

Unit: mm

Model	L1	L2	Travel	A	B	C	D	E	F	G
DF4503-350	350	346	310	64	128	/	96	/	114	234
DF4503-400	400	396	383	64	160	/	160	/	141	284
DF4503-450	450	446	450	64	224	/	192	/	162	322.5
DF4503-500	500	496	500	64	192	256	160	/	175	334.5
DF4503-550	550	546	550	64	224	320	192	352	190	349.5
DF4503-600	600	596	600	64	256	352	192	384	212	371.5

GENERAL

DB4201

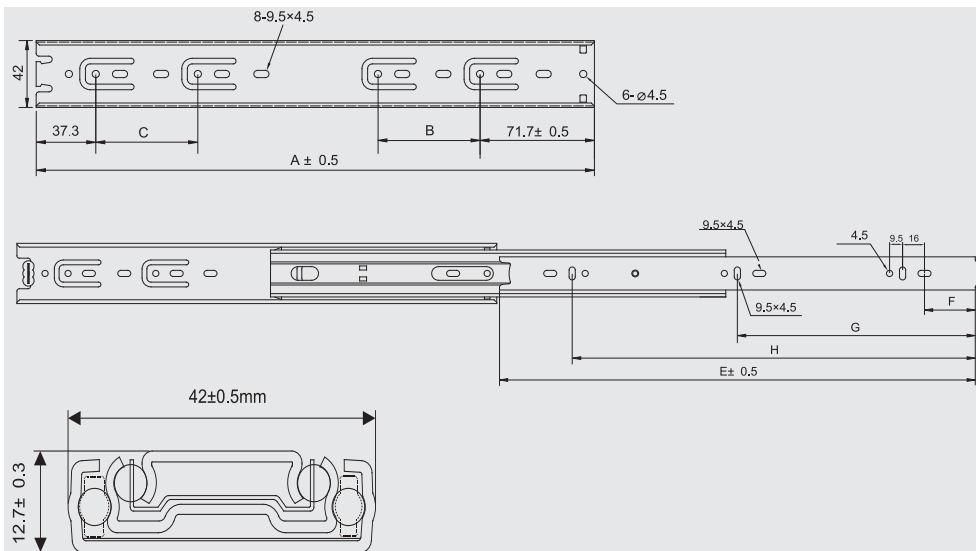
3-Fold ball bearing slide



Technical specifications:

- Width: 42mm
- Size: 10"-24"
- Finish: color-zinc, black
- Material: cold-rolled steel
- Thickness Range: 0.8 x 0.8 x 0.8mm
0.7 x 0.7 x 0.7mm

Installation indication



Installation indication

Unit: mm

Model	A	B	C	E	F	G	H
DB4201-250	250	/	64	274	24	123.5	207
DB4201-300	300	/	64	297	37	148.5	244
DB4201-350	350	64	64	347	37	173.5	294
DB4201-400	400	64	64	397	37	198.5	344
DB4201-450	450	64	64	447	37	223.5	394
DB4201-500	500	64	64	497	37	248.5	444
DB4201-550	550	64	64	547	37	273.5	494
DB4201-600	600	64	64	597	37	298.5	544

DB3001

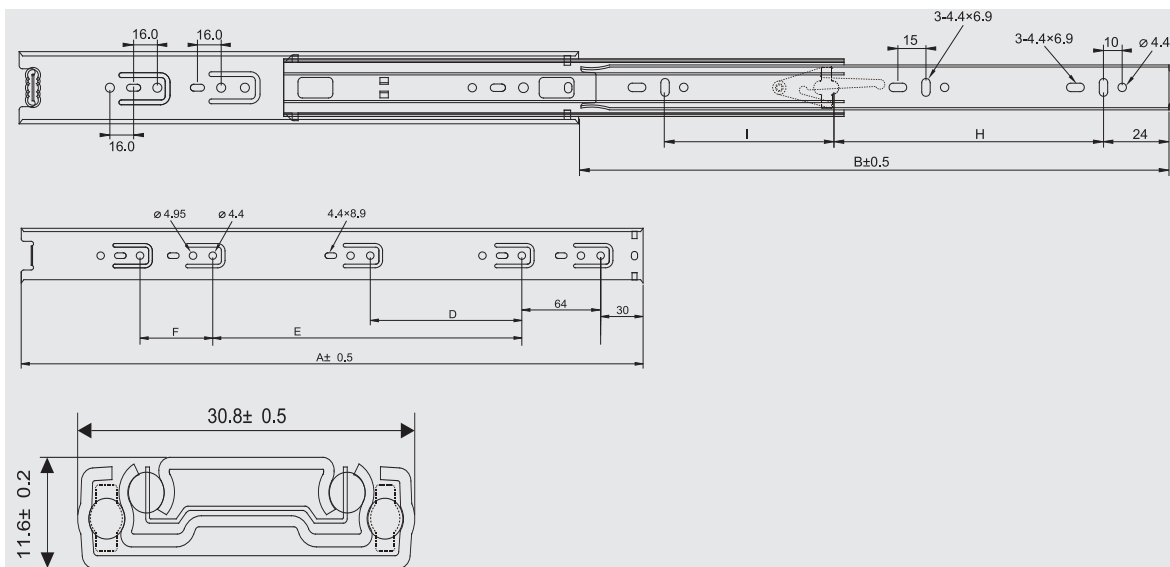
3-Fold ball bearing slide



Technical specifications:

- Width: 30mm
- Size: 10"-20"
- Finish: color-zinc, black
- Material: cold-rolled steel
- Thickness Range: 0.7 x 0.7 x 0.8mm
0.6 x 0.6 x 0.6mm
0.5 x 0.5 x 0.5mm

Installation indication



Installation indication

Unit: mm

Model	A	B	D	E	F	H	I	J
DB3001-250	250	250	/	96	/	96	96	53.5
DB3001-300	300	298	/	64	64	96	128	80
DB3001-350	350	349	/	128	64	128	160	105
DB3001-400	400	400	/	160	64	160	160	127.5
DB3001-450	450	449	96	224	64	160	224	152.7
DB3001-500	500	499	128	288	64	192	224	177

GENERAL

DB2701

2-Fold ball bearing slide



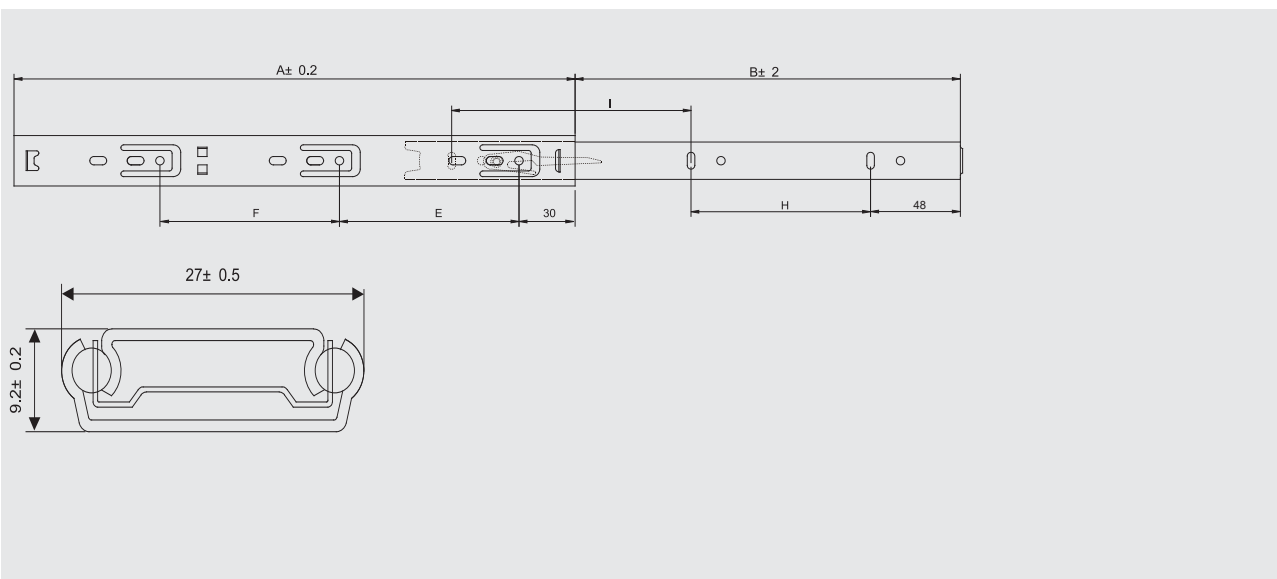
Ball Bearing Slide



Technical specifications:

- Width: 27mm
- Size: 10"-22"
- Finish: zinc-plated
- Material: cold-rolled steel
- Thickness Range: 0.8 x 0.8mm
0.7 x 0.7mm
0.5 x 0.5mm

Installation indication



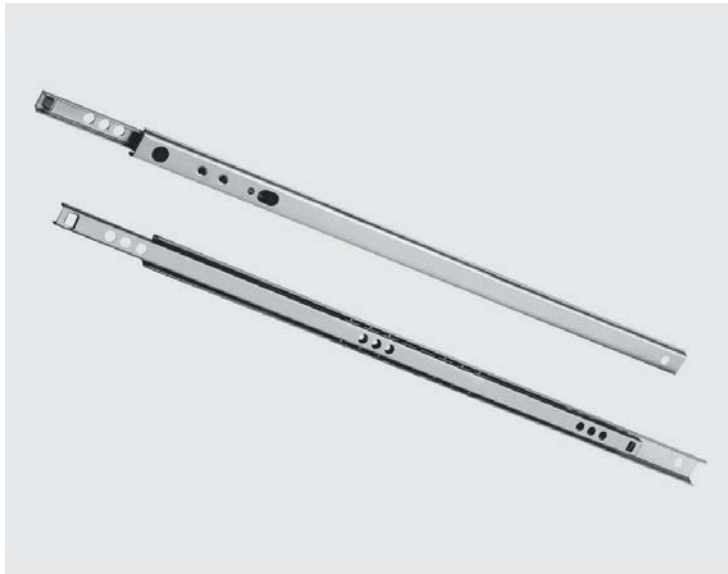
Installation indication

Unit: mm

Model	A	B	E	F	H	I
DB2701-250	250	162	160	/	96	80
DB2701-300	300	210	96	96	96	128
DB2701-350	350	236	128	128	128	128
DB2701-400	400	260	128	160	160	160
DB2701-450	450	285	192	160	160	192
DB2701-500	500	310	192	192	192	224
DB2701-550	550	335	224	224	224	224

DB1701

2-Fold ball bearing slide



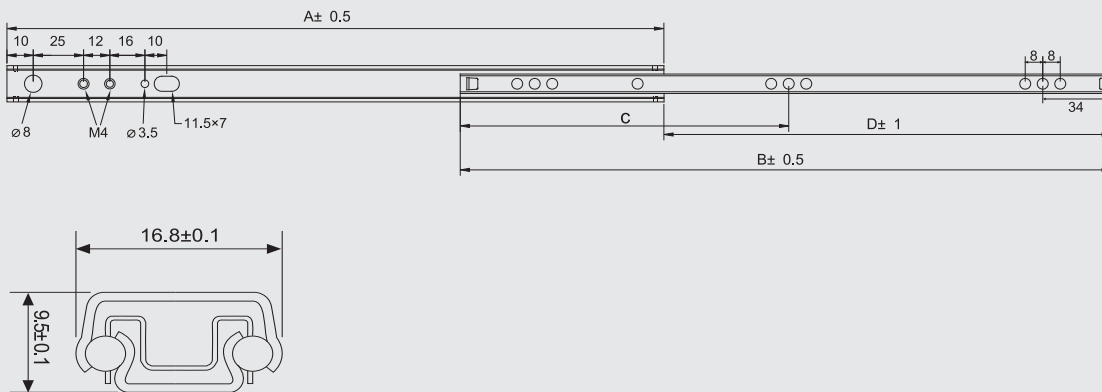
Technical specifications:

- Width: 17mm
- Size: 10"-18"
- Finish: zinc-plated
- Material: cold-rolled steel
- Thickness Range: 0.8 x 0.8mm
1.0 x 1.0mm



Ball Bearing Slide

Installation indication



Installation indication

Unit: mm

Model	A	B	C	D
DB1701-250	250	250	125	179
DB1701-300	300	300	150	207
DB1701-350	350	350	175	257
DB1701-400	400	400	200	307
DB1701-450	450	450	225	357

GENERAL

DB1702

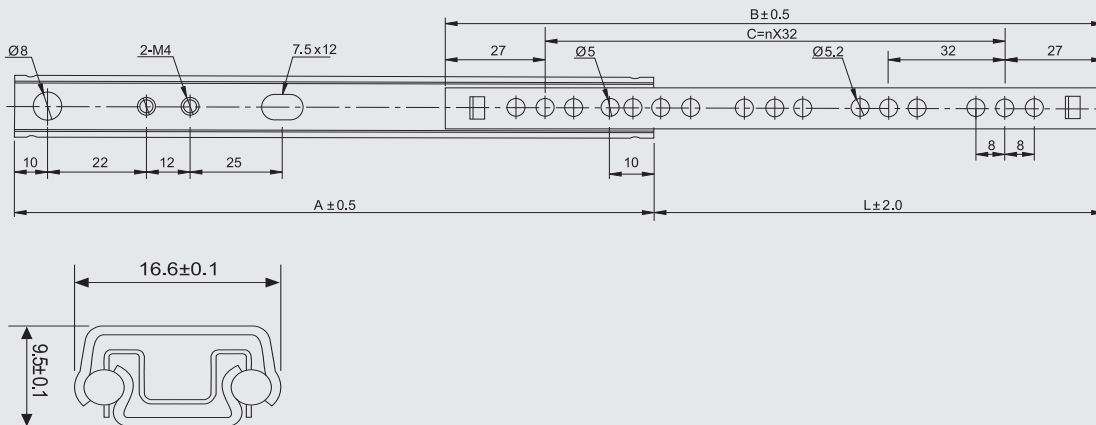
2-Fold ball bearing slide



Technical specifications:

- Width: 17mm
- Size: 182, 241, 246, 278, 310, 342, 374, 438
- Finish: zinc-plated
- Material: cold-rolled steel
- Thickness Range: 0.8 x 0.8mm
1.0 x 1.0mm

Installation indication



Installation indication

Unit: mm

Model	A	B	N	C	L
DB1702-182	182	182	4	128	127
DB1702-214	214	214	5	160	139
DB1702-246	246	246	6	192	171
DB1702-278	278	278	7	224	203
DB1702-310	310	310	8	256	213
DB1702-342	342	342	9	288	245
DB1702-374	374	374	10	320	277
DB1702-438	438	438	12	384	341

KEYBOARD Slide



DB3521

2-Fold keyboard ball bearing slide



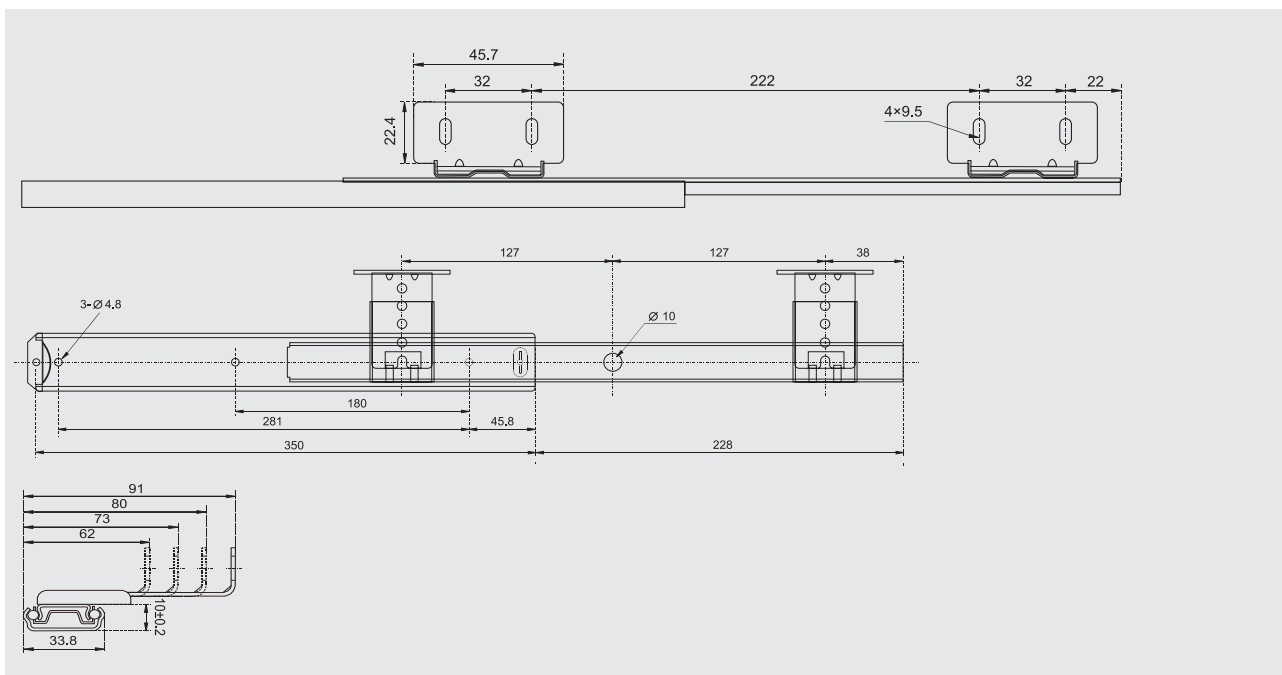
Technical specifications:

- Width: 35mm
- Size: 14"
- Finish: color-zinc
- Material: cold-rolled steel
- Thickness Range: 1.0 x 1.0mm



Ball Bearing Slide

Installation indication



Installation indication

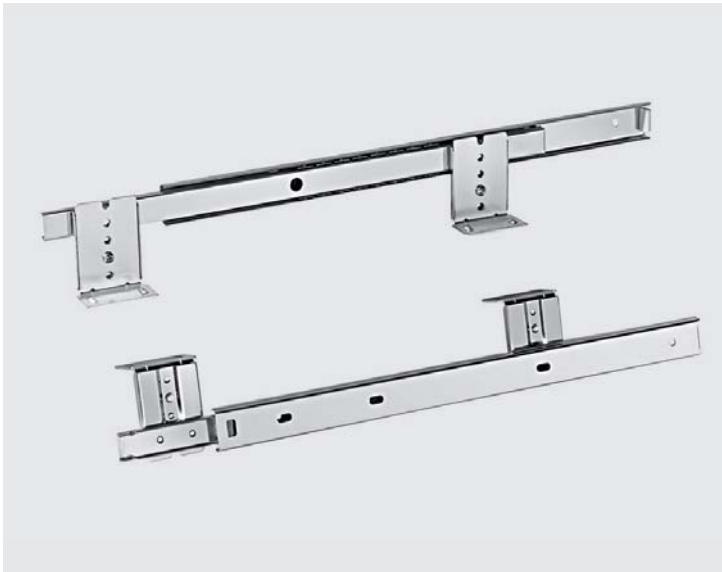
Unit: mm

Model	Thickness Range	A
DB3521-350	0.7 x 0.7mm	350
DB3521-400	0.9 x 0.9mm	350
DB3521-450	1.0 x 1.0mm	350

KEYBOARD Slide

DB2721

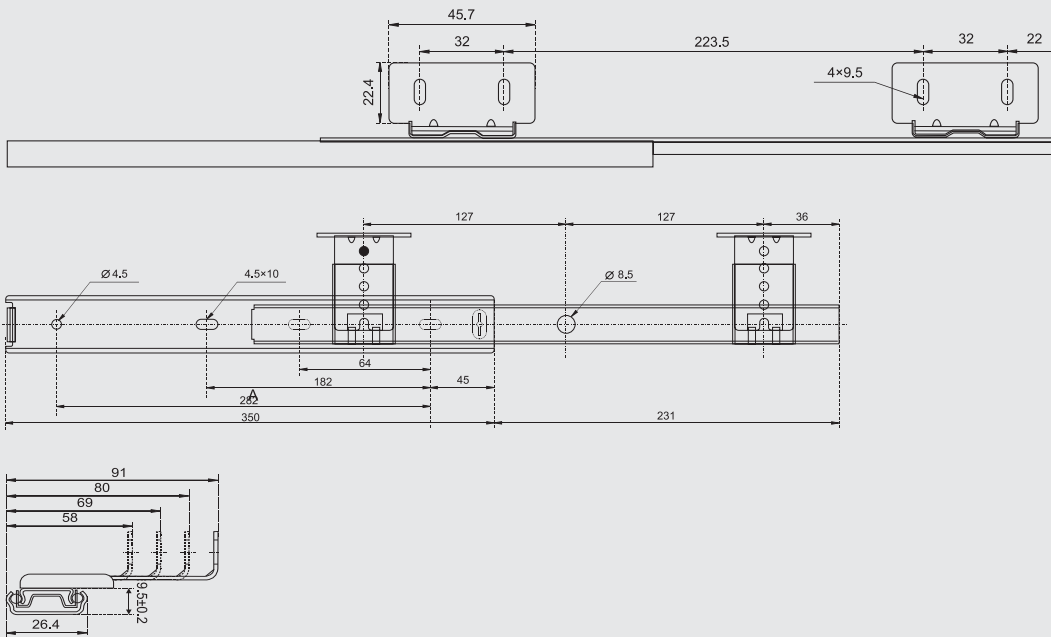
2-Fold keyboard ball bearing slide



Technical specifications:

- Width: 27mm
- Size: 14"
- Finish: color-zinc
- Material: cold-rolled steel
- Thickness Range: 0.8 x 0.8mm

Installation indication



Installation indication

Unit: mm

Model	Color	Thickness Range	A
DB2721-14"	Color-zinc Blacke	0.7 x 0.7mm	350

KEYBOARD TRAY

MEATON

KB0801/ KB0802/ KB0803

Keyboard tray

KB0801



Technical specifications:

- Slide: DB3521/ DB2721
- Color: White, Black, Brown

KB0802



Technical specifications:

- Slide: DB3521/ DB2721
- Color: White, Black, Brown

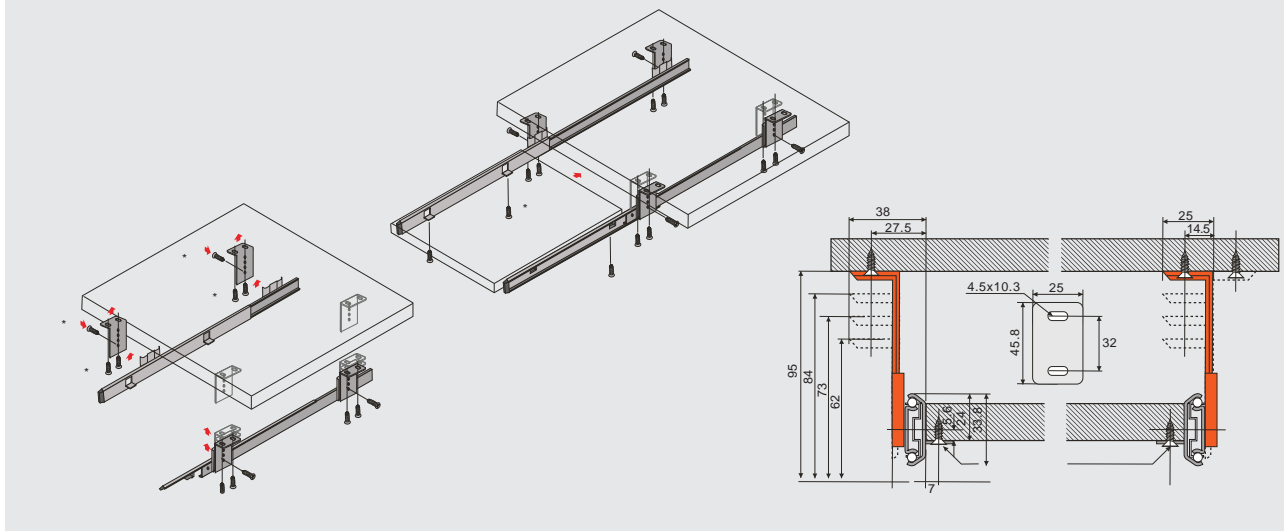
KB0803



Technical specifications:

- Slide: DB3521/ DB2721
- Color: White, Black, Brown

The diagram of fixing to the body and to the drawer, matching and installation



Ball Bearing Slide - C.89

C

Ball Bearing Slide

DRAWER SLIDE

DS0801

FGV type drawer slide



Ball Bearing Slide

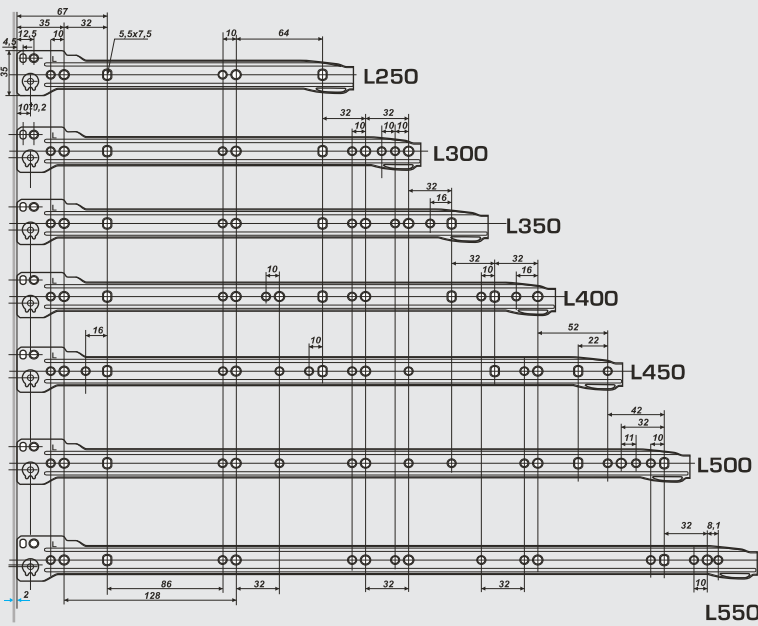


Technical specifications:

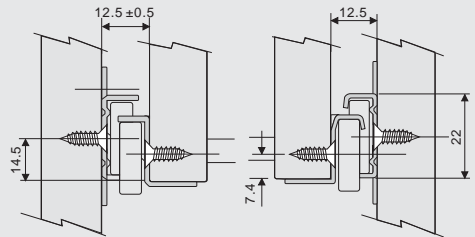
- Size: 10"-24"
- Thickness: 0.8mm/ 0.9mm/ 1.0mm/ 1.1mm/ 1.2mm
- Color: pure white, milk white, gray, black, brown

Installation indication

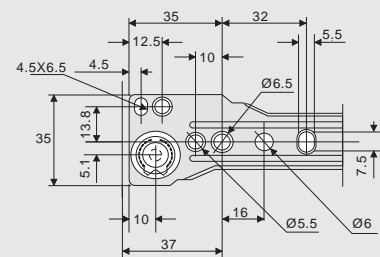
Fastening position for cabinet member



Installation measurement



Drilling pattern for cabinet member



Slide wheel



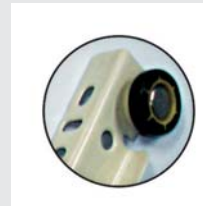
A: Common wheel(ABS)



B: Common wheel(POM)



D: Silence noise wheel(ABS)



E: Silence noise wheel(HBTE)

DRAWER SLIDE



DS0802

Drawer slide



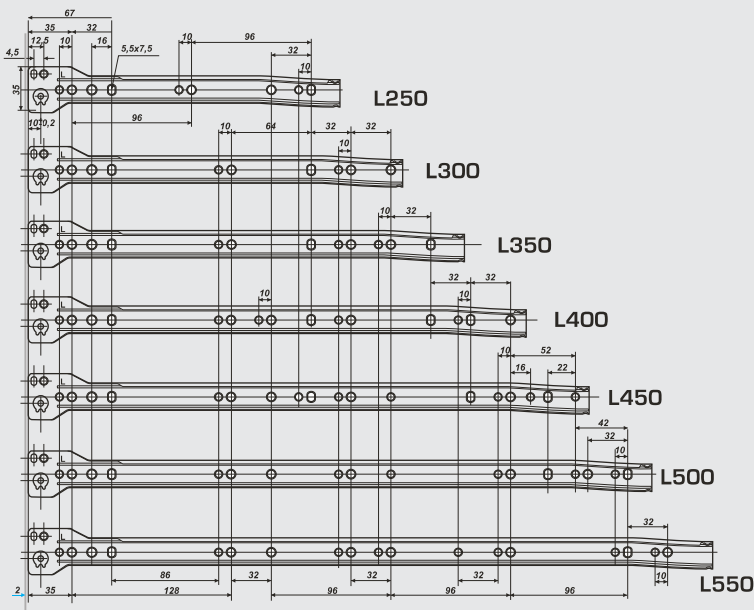
Technical specifications:

- Size: 10"-24"
- Thickness: 0.8mm/ 0.9mm/ 1.0mm/ 1.1mm/ 1.2mm
- Color: pure white, milk white, gray, black, brown

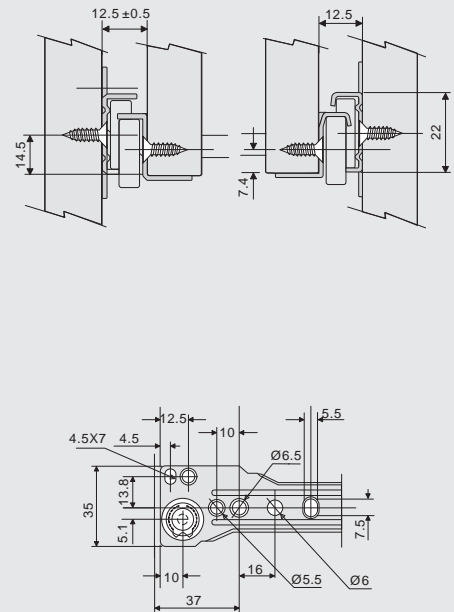
C
Ball Bearing Slide

Installation indication

Fastening position for cabinet member



Installation measurement



Slide wheel



A: Common wheel (ABS)



B: Common wheel (POM)



D: Silence noise wheel (ABS)



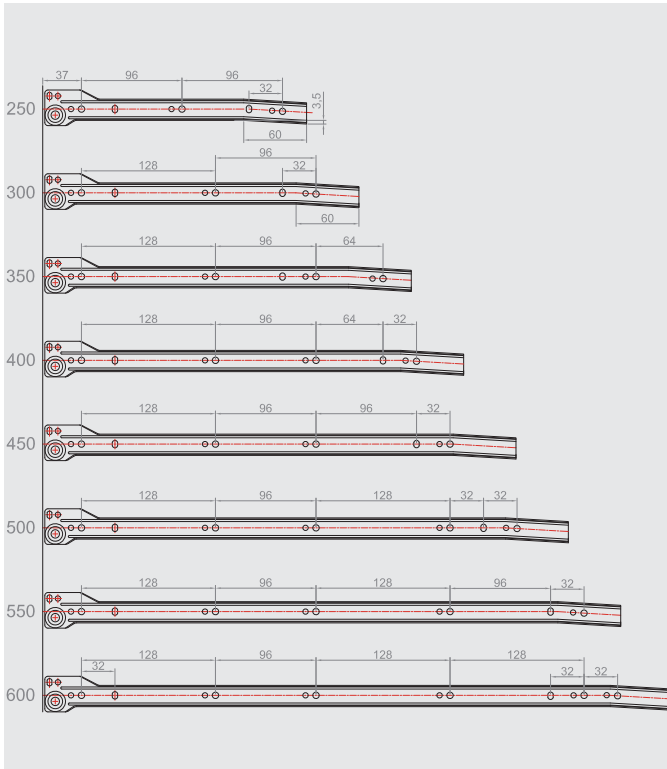
E: Silence noise wheel (HBTE)

DRAWER SLIDE

DS03

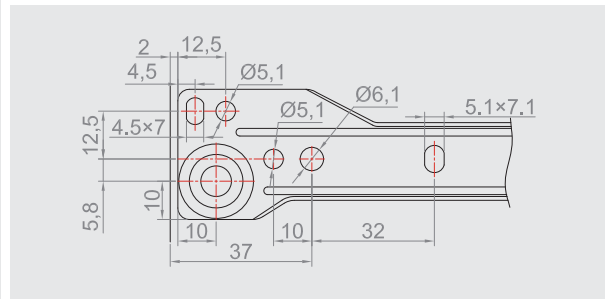
American style drawer slide

Ball Bearing Slide

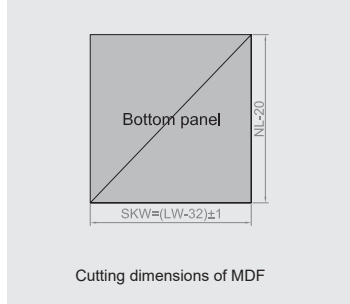
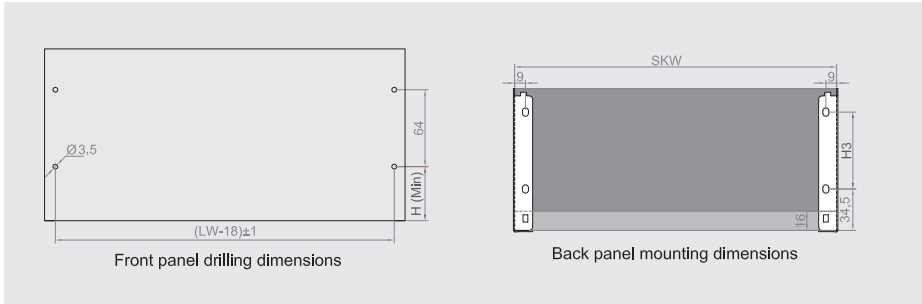
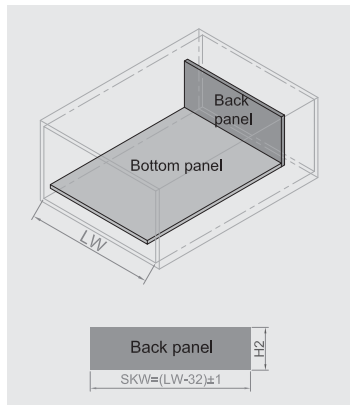
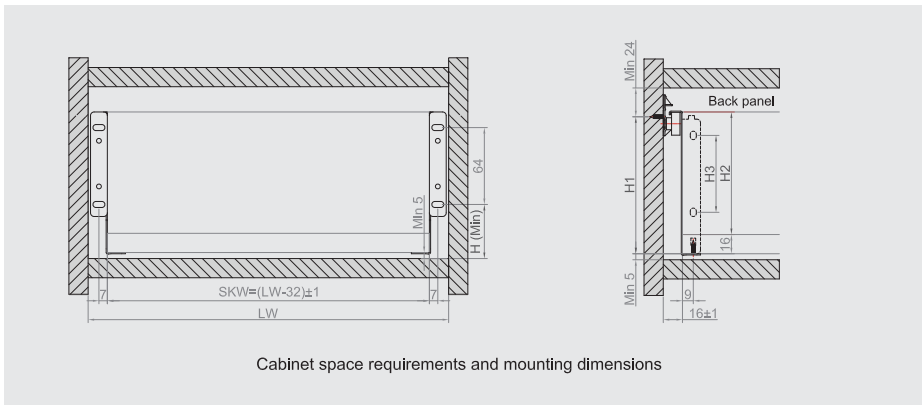


Technical specifications:

- Panel height: 86mm / 118mm / 150mm / 54mm
- Self-closing feature with 60mm closing range
- Parallel closing action over 20mm
- Optional fitting method by using with dowels
- Up and down height adjustment by 2mm
- Thickness: 1.1mm / 1.2mm or as required
- Color: white, black, brown, grey
- Wheel: white roller



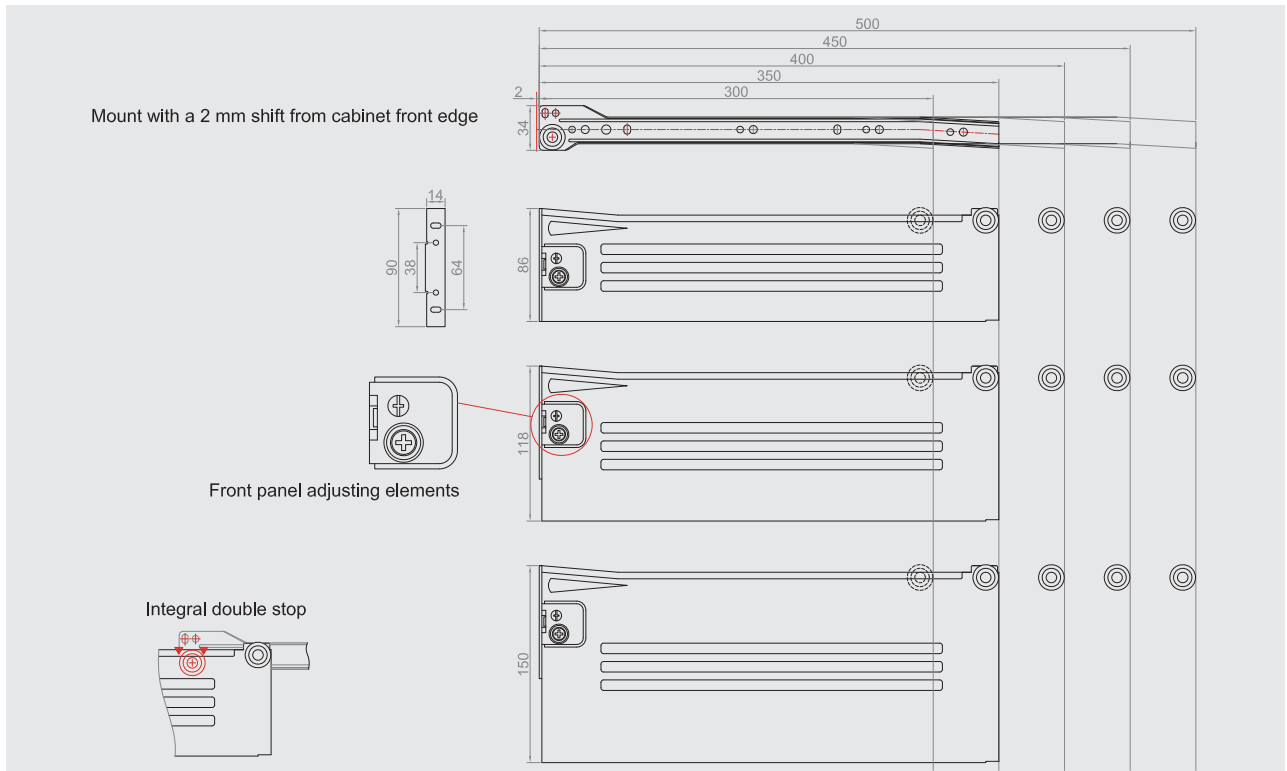
Installation parameter



LW - Cabinet inner width
SKW - Bottom and back panel width
NL - Normal length

Size	H (Min)	H1	H2	H3
86 mm	13	82	72	32
118 mm	45	114	104	64
150 mm	77	146	136	96

American style drawer slide



Ball Bearing Slide

The diagram of fixing to the cabinet and to the drawer, matching and installation

