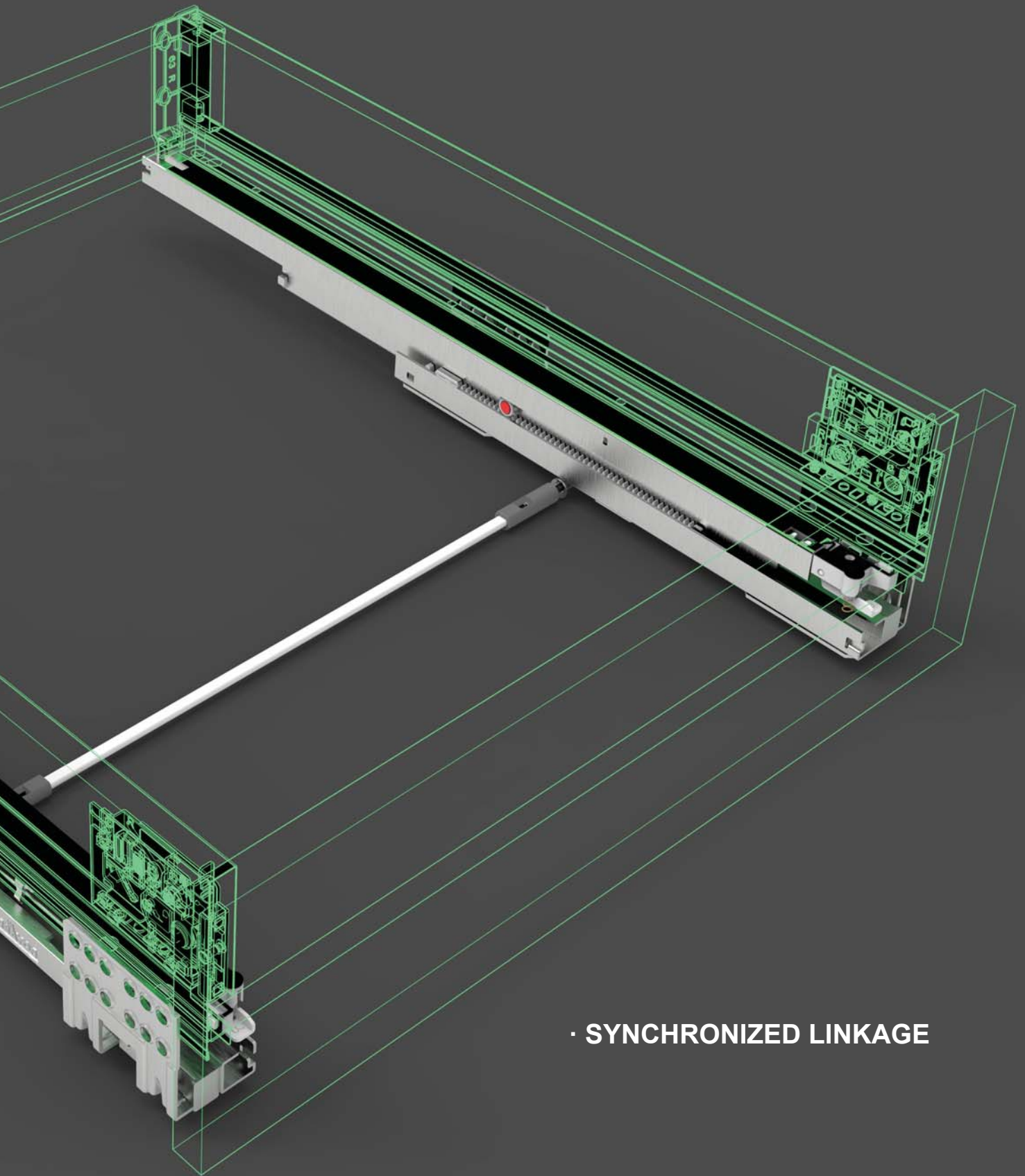




MEATON

MEATON

MEATON



· SYNCHRONIZED LINKAGE

Drawer system leads to silent movement, satisfying comfort, and diverse applications. The outstanding performance of MEATON drawer system makes your living space a place where indicates your understanding of lifestyle, of character, of satisfaction. Affordable and the state of the art products make everyone feel a comfortable and sound life around them.



MEATONIST SLIM BOX

SOFT-CLOSE

SB0100-A01/B01/C01/D01

Meatonist Slim Box - 3 fold synchronized concealed slide with handle

B.2



SB0100-A03/B03/C03/D03

Meatonist Slim Inner Box - 3 fold synchronized concealed slide with handle

B.4



SB0200-A01/B01/C01/D01

Meatonist Slim Box - 3 fold concealed slide with handle

B.6



SB0200-A03/B03/C03/D03

Meatonist Slim Inner Box - 3 fold concealed slide with handle

B.8



SB0300-A01/B01/C01/D01

Meatonist Slim Box - 2 fold concealed slide with handle

B.10



SB0300-A03/B03/C03/D03

Meatonist Slim Inner Box - 2 fold concealed slide with handle

B.12



SB0303

Meatonist Slim Box - 2 fold concealed slide

B.14



SB2900-A01/B01/C01/D01

Meatonist Slim Box with tandem slide

B.16



SB2900-A03/B03/C03/D03

Meatonist Slim Inner Box with tandem slide

B.18



SB2901

Meatonist Slim Box with tilt adjustment with tandem slide

B.20



SB0101-A01/B01/C01/D01

Meatonist Slim Box with tilt adjustment - 3 fold synchronized concealed slide

B.22



SB0101-A03/B03/C03/D03

Meatonist Slim Inner Box with tilt adjustment - 3 fold synchronized concealed slide

B.24



SB3300

Concise Box - ultra slim single wall - 2 fold concealed slide with handle

B.26



SB3303

Concise Box - ultra slim single wall - 2 fold concealed slide

B.28



SB3304

Concise Box - ultra slim single wall - 2 fold concealed slide with handle

B.30



SB3100

Concise Box - ultra slim single wall - 3 fold synchronized concealed slide with handle

B.32



SB3200

Concise Box - ultra slim single wall - 3 fold concealed slide with handle

B.34



SB3900

Concise Box - ultra slim single wall with tandem slide

B.36



MEATONIST SLIM BOX SOFT-CLOSE

SB5100

Artistic Box- two slides glass wall - 3 fold synchronized concealed slide with handle

B.38



SB5200

Artistic Box- two slides glass wall - 3 fold concealed slide with handle

B.40



SB5900

Artistic Box- two slides glass wall - with tandem slide

B.42



SLIM DRAWER SYSTEM SOFT-CLOSE & PUSH-OPEN

SP1930

Slim Box with tandem slide

B.44



SLIM DRAWER SYSTEM PUSH-OPEN

SP1900/ SP1904

Slim Box with tandem slide

B.46





PUSH OPEN DRAWER SYSTEM

SP1801

Classical drawer system with tandem slide

B.48



SP0101

Meatonist Slim Box with tilt adjustment - 3 fold synchronized concealed slide

B.50



SP2900

Meatonist Slim Box with tandem slide

B.52



SP0100

Meatonist Slim Box - 3 fold synchronized concealed slide with handle

B.54



SP0200

Meatonist Slim Box - 3 fold concealed slide with handle

B.56



SP3303

Meatonist Slim Box - 3 fold concealed slide

B.58



SP2910/ SP2920

Meatonist Slim Box with synchronisation linkage

B.60



SP1811/ SP1821

Classical Drawer System with synchronisation linkage

B.62



SP1910/ SP1920/ SP1914/ SP1924

Slim Box with synchronisation linkage

B.64



M

SLIM DRAWER SYSTEM

Slim Box

- SS1900-B



Tandem slide

- SS1801-S





Height: A - 86mm
 B - 118mm
 C - 167mm
 D - 199mm

4 regular colors:
 Dark black(B), Silver white(W)
 Silver grey(G), Light grey(O)

Slim box A+B+C+E	Page B.66 Height 86mm • SB1900 - A01	
	Page B.72 Height 118mm • SB1900 - B01	
	Page B.78 Height 167mm • SB1900 - C01	
	Page B.92 Height 199mm • SB1900 - D01	
Slim box A+B+C+E+M	Page B.80 with extended side square railings, height 167mm • SB1900 - C02	
	Page B.96 with extended side square railings, height 199mm • SB1900 - D02	
Slim Inner box A+B+C+D+F+K	Page B.68 Height 86mm • SB1900 - A02	
	Page B.74 Height 118mm • SB1900 - B02	
Slim Inner box A+B+C+D+F+G+K	Page B.70 with extended front glass, height 86mm • SB1900 - A03	
	Page B.76 with extended front glass, height 118mm • SB1900 - B03	
	Page B.82 with extended front low glass, height 167mm • SB1900 - C03	
	Page B.98 with extended front low glass, height 199mm • SB1900 - D03	
Slim Inner box A+B+C+D+F+H+K	Page B.84 with extended side front tall glass, height 167mm • SB1900 - C04	
	Page B.100 with extended side front tall glass, height 199mm • SB1900 - D04	
Slim Inner box A+B+C+D+F+K+L+M	Page B.86 with side square railings and front panel square railing, height 167mm • SB1900 - C05	
	Page B.104 with side square railings and front panel square railing, height 199mm • SB1900 - D06	
Slim Inner box A+B+C+D+F+G+K+M	Page B.88 with side square railings and extended front low glass, height 167mm • SB1900 - C06	
	Page B.106 with side square railings and extended front low glass, height 199mm • SB1900 - D07	
Slim Inner box A+B+C+D+F+H+K+M	Page B.90 with side square railings and extended front low glass, height 167mm • SB1900 - C07	
	Page B.108 with side square railings and extended front low glass, height 199mm • SB1900 - D08	
Slim Inner box A+B+C+D+F+K+L	Page B.92 with side square railings and extended front low glass, height 167mm • SB1900 - C08	
	Page B.102 with side square railings and extended front low glass, height 199mm • SB1900 - D05	



CLASSICAL DRAWER SYSTEM

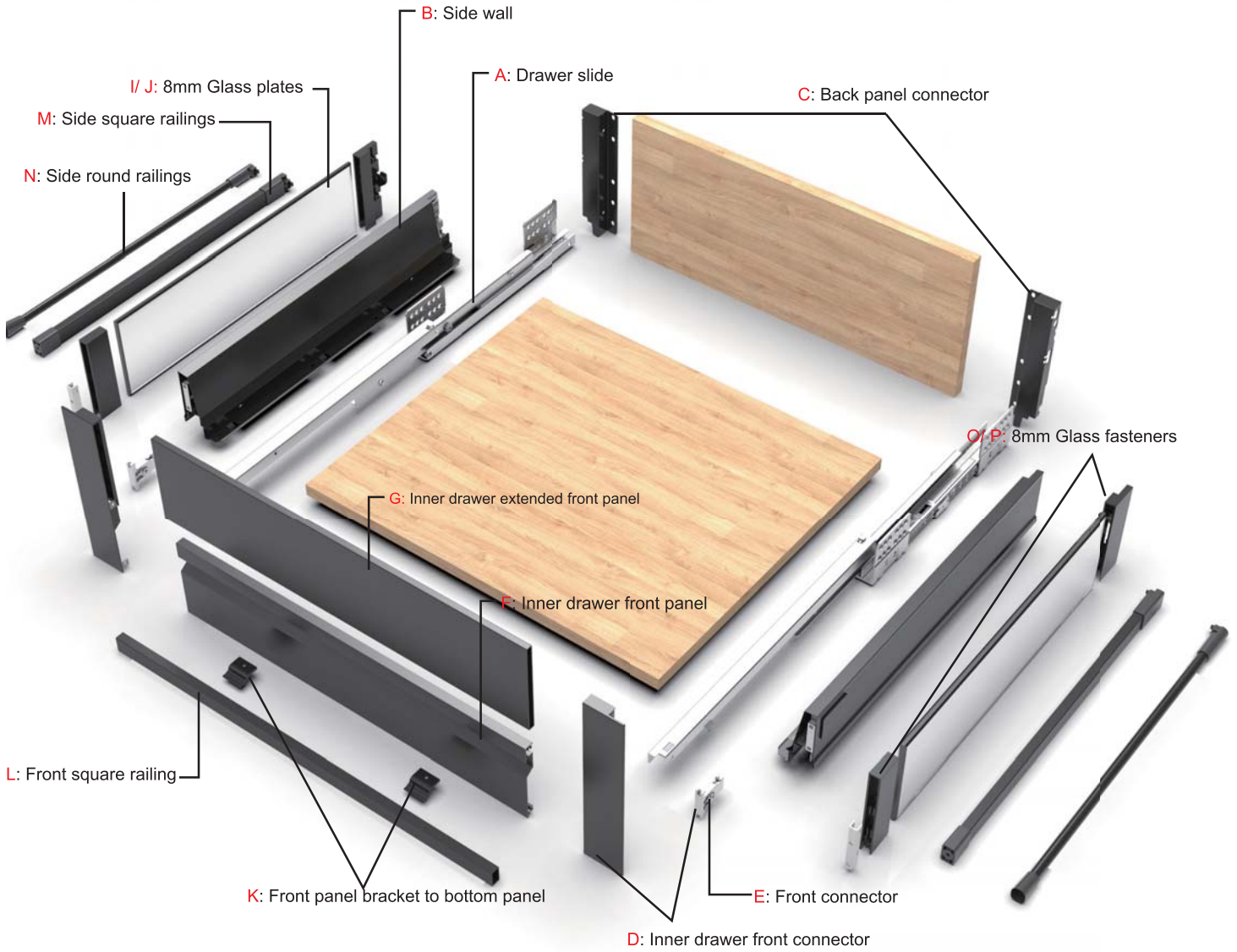
Classical box

- SS1801-B



Tandem slide

- SS1801-S





Height: A - 84mm
 B - 135mm
 C - 167mm
 D - 199mm

4 regular colors:
 Dark black(B), Silver white(W)
 Silver grey(G), Light grey(O)

Classical box A+B+C+E	Page B.110 Height 84mm	• SB1801 - A01	
--------------------------	----------------------------------	-----------------------	--

Classical box A+B+C+E+M	Page B.114 with side square railings, height 135mm	• SB1801 - B01	
	Page B.120 with side square railings, height 167mm	• SB1801 - C01	
	Page B.134 with side square railings, height 199mm	• SB1801 - D01	
	Page B.138 with side square railings(x2), height 199mm	• SB1801 - D03	

Classical box A+B+C+E+N	Page B.116 with side round railings, height 135mm	• SB1801 - B02	
	Page B.122 with side round railings, height 167mm	• SB1801 - C02	
	Page B.136 with side round railings, height 199mm	• SB1801 - D02	
	Page B.140 with side round railings(x2), height 199mm	• SB1801 - D04	

Classical box A+B+C+E+N+I/J+O/P	Page B.124 with extended side glass, height 167mm	• SB1801 - C03	
	Page B.142 with extended side glass, height 199mm	• SB1801 - D05	

Classical Inner box A+B+C+D+F+K	Page B.112 Height 84mm	• SB1801 - A02	
------------------------------------	----------------------------------	-----------------------	--

Classical Inner box A+B+C+D+F+K+L+M	Page B.118 with side square railings and front panel square railing, height 135mm	• SB1801 - B03	
	Page B.130 with side square railings and front panel square railing, height 167mm	• SB1801 - C07	
	Page B.148 with side square railings and front panel square railing, height 199mm	• SB1801 - D08	
	Page B.150 with side square railings and front panel square railing(x2), height 199mm	• SB1801 - D09	

Classical Inner box A+B+C+D+F+K+L +I/J+O/P	Page B.126 with extended side glass and front panel with square railing, height 167mm	• SB1801 - C05	
	Page B.144 with extended side glass and front panel with square railing, height 199mm	• SB1801 - D06	

Classical Inner box A+B+C+D+F+K+G +I/J+O/P	Page B.128 with extended side glass and front panel, height 167mm	• SB1801 - C06	
	Page B.146 with extended side glass and front panel, height 199mm	• SB1801 - D07	

Classical Inner box A+B+C+D+F+G+K+M	Page B.132 with side square railings and front panel, height 167mm	• SB1801 - C08	
	Page B.152 with side square railings and front panel, height 199mm	• SB1801 - D10	
	Page B.154 with side square railings(x2) and front panel, height 199mm	• SB1801 - D11	

FITTINGS

SS1800-18

Round grid fittings

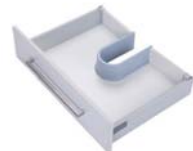
B.158



SS1800 - 28 / 44

U-shape sink Classical drawer system

B.158



SS1800 - 30/ 31/ 32

Plastic grid fittings

B.159



SS1620

Stainless steel 304 cutlery box

B.160



SS1042-A & SS1047-A & SS1542-A/B/C & SS1547-A/B/C

KITCHEN STORAGE SYSTEM

B.161



SS1142-A/B/C/D & SS1147-A/B/C/D

KITCHEN STORAGE SYSTEM

B.162



SS0101/ SS0201/ SS0301

Pull-out basket slide

B.163



SS1622-S

Granule mats/ Side square railings connector

B.164



SS1801-36

Side square/ round railings connector

B.164



FITTINGS

SS2900-12

Side square railings with DIY connector

B.165



SS1900-TD1

Marking Tool for front bracket fixing positions

B.166



SS1900-TE1

Inner drawer auxiliary fitting

B.167



SS1900-TP1

Drawer system stabilizer

B.168



SS1800-P21

Synchronisation linkage

B.169



S22974

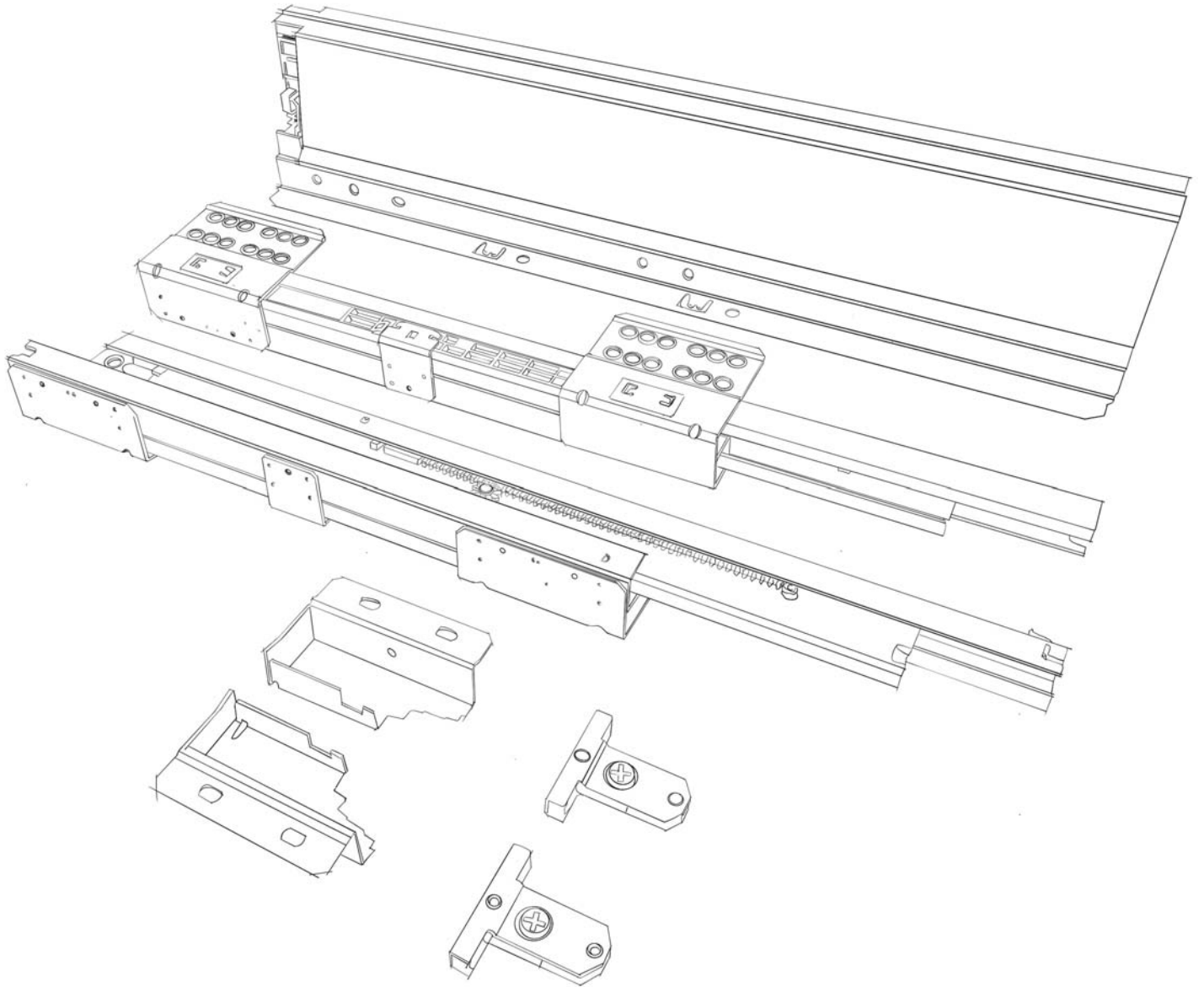
Reinforcement angle codes for the back and bottom plates

B.169



MEATON





MEATON

| **Drawer System**

MEATONIST SLIM BOX

SB0100-A01/B01/C01/D01

Meatonist Slim Box - 3 fold synchronized concealed slide with handle



B

Meatonist Slim Box

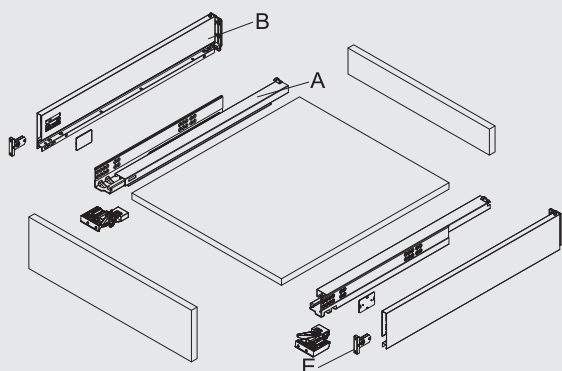


SOFT-CLOSE

- Heights, 63/101/148/180mm.
- Wide range of depth from 270mm;300mm;350mm;400mm;450mm;500mm;550mm.
- 4 regular colors: Black(B), White(W), Dark grey(G), Light grey(O), custom-made colors acceptable.
- Front convenient fine adjustment mechanism integrated. Up & down $\pm 1.5\text{mm}$, left & right $\pm 1.5\text{mm}$.
- Synchronization mechanism of the slides stabilizes the sliding motion and eliminates noises from the living space.

Product Information

Components view



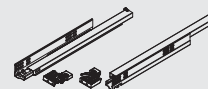
A: DH3341

Drawer slide L/R

Material - SECC

Loading capacity: 30kg

Length: 260mm;290mm;340mm;390mm;440mm;490mm;540mm.



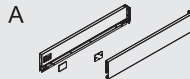
B: SS2900-A/B/C/D

Side wall L/R

Material - cold-rolled steel

Color - Match for set color

Length: 270mm;300mm;350mm;400mm;450mm;500mm;550mm.



E: SS1900-TA1/TB1/TC1

Front connector

Material - SECC + plastic

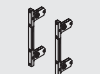
TA1



TB1



TC1



SS1900-TA2/TB2/TC2

Clip on front connector

Material - SECC + plastic

TA2



TB2



TC2



SS1900-TA5/TB5/TC5

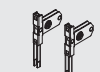
Clip on front connector

Material - SECC

TA5



TB5



TC5



SS1900-TA6/TB6/TC6

Clip on front connector

Material - SECC + plastic

TA6



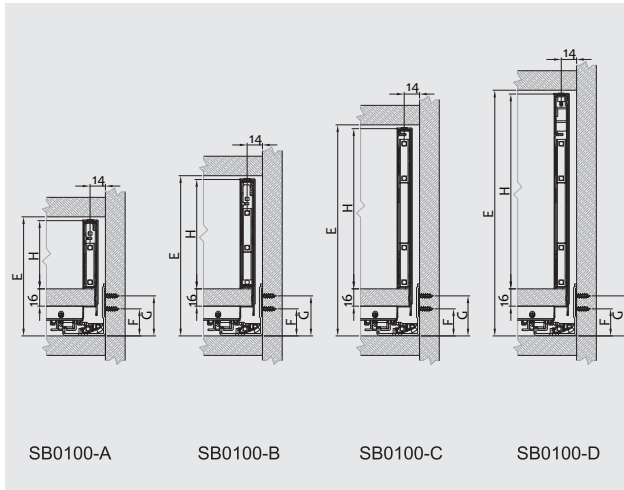
TB6



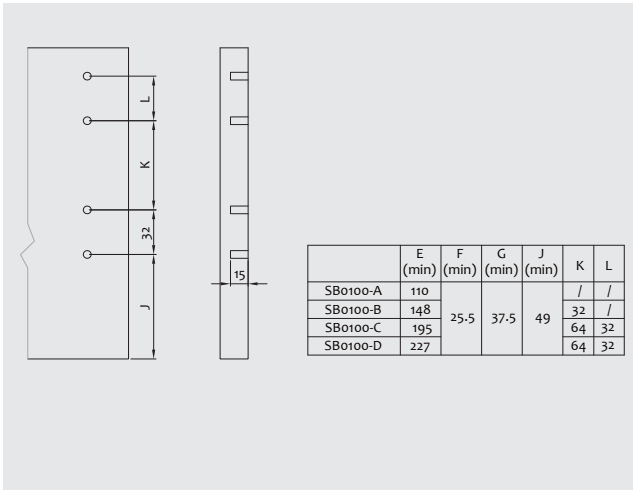
TC6



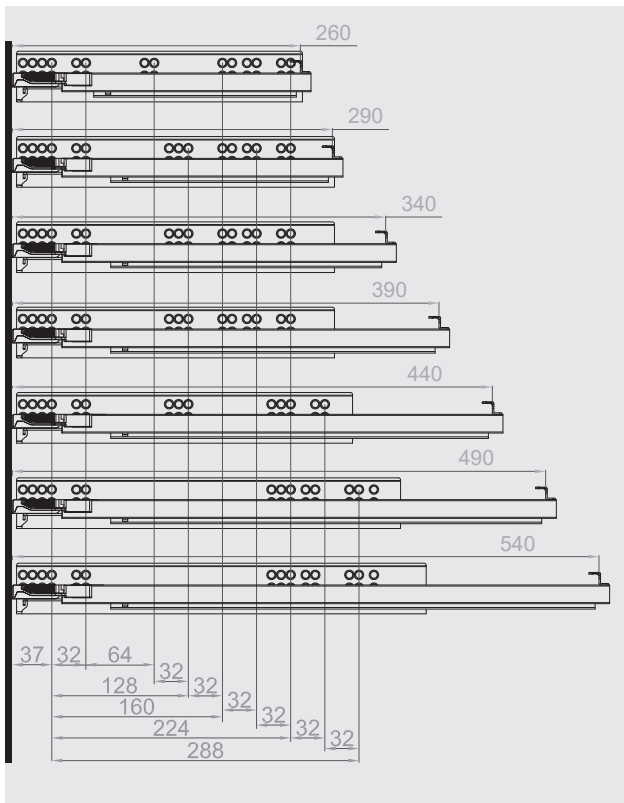
Cabinet space requirements



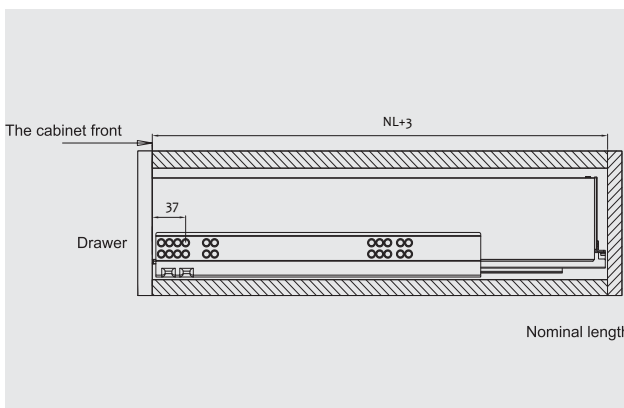
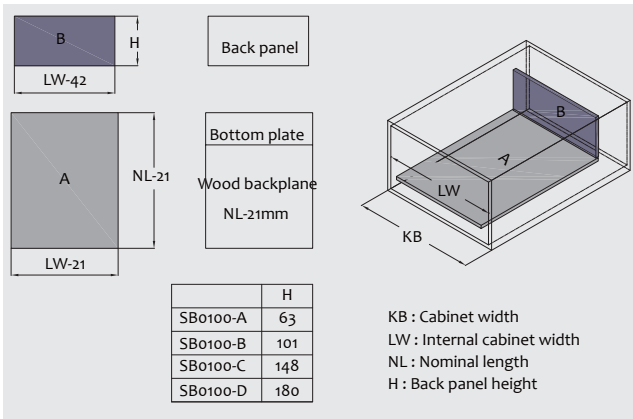
Mounting



Drawer slide installation dimensions



Cutting dimensions for back panel



MEATONIST SLIM BOX

SB0100-A03/B03/C03/D03



Meatonist Slim Inner Box - 3 fold synchronized concealed slide with handle

B

Meatonist Slim Box

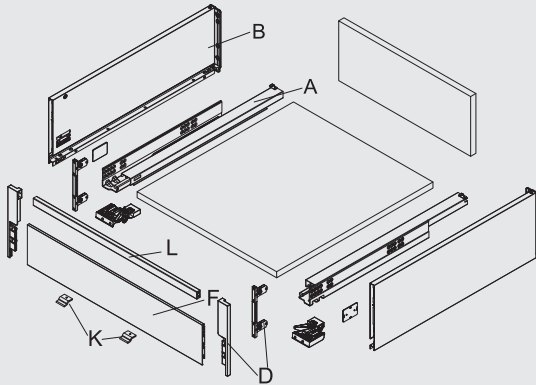


SOFT-CLOSE

- Inner drawer, height 63/101/148/180mm.
- Wide range of depth from 270mm;300mm;350mm;400mm;450mm;500mm;550mm.
- 4 regular colors: Black(B), White(W), Dark grey(G), Light grey(O), custom-made colors acceptable.
- Front convenient fine adjustment mechanism integrated. Up & down ± 1.5 mm, left & right ± 1.5 mm.
- Synchronization mechanism of the slides stabilizes the sliding motion and eliminates noises from the living space.

Product Information

Components view



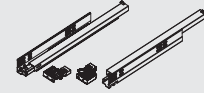
A: DH3341

Drawer slide L/R

Material - SECC

Loading capacity: 30kg

Length: 260mm;290mm;340mm;390mm;440mm;490mm;540mm.



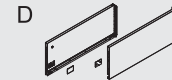
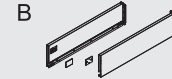
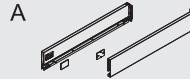
B: SS2900-A/B/C/D

Side wall L/R

Material - cold-rolled steel

Color - Match for set color

Length: 270mm;300mm;350mm;400mm;450mm;500mm;550mm.



D: S12902-A/B/C/D

Inner drawer front connector L/R

Material - SECC+ plastic

Color - Match for set color



F: S52931

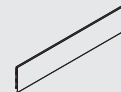
Inner drawer front panel

Material - aluminium

Color - Match for set color

Automatically cut - the cabinet body width LW - 14

Length: 600mm;800mm;900mm;1000mm;1200mm

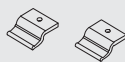


K: SS1800-37

Front panel bracket to bottom panel

Material - plastic

Color - Silver grey



L: S52932

Front square railing

Material - aluminium

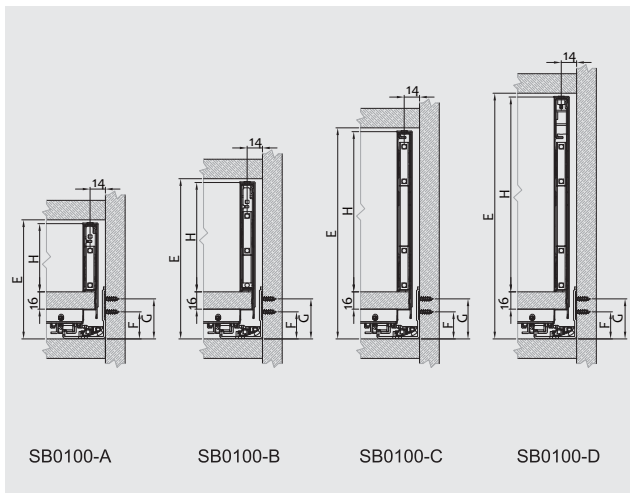
Color - Match for set color

Automatically cut - the cabinet body width LW - 49

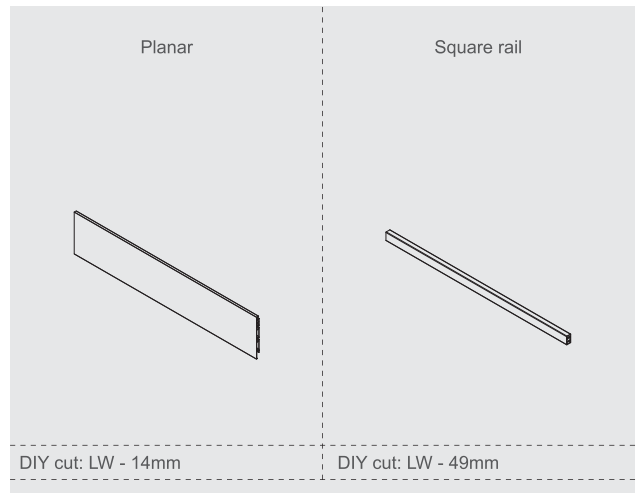
Length: 600mm;800mm;900mm;1000mm;1200mm



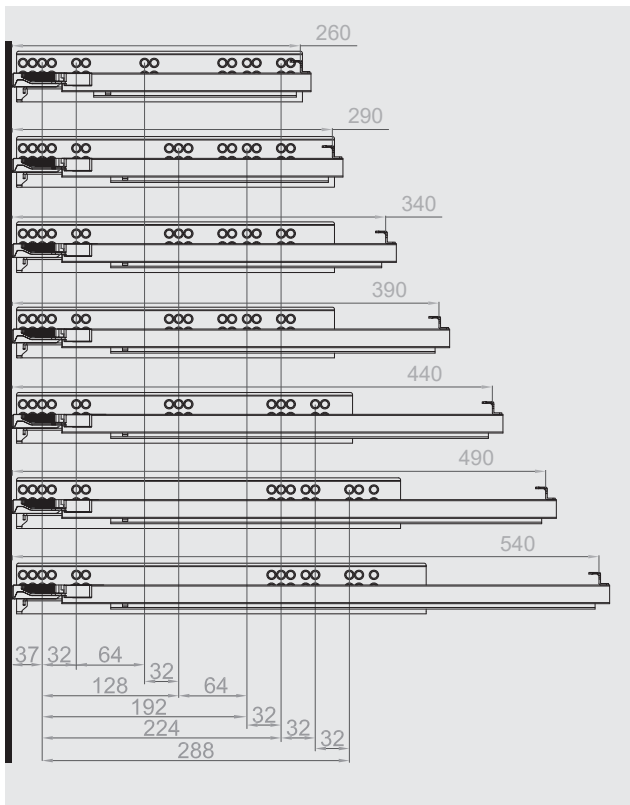
Cabinet space requirements



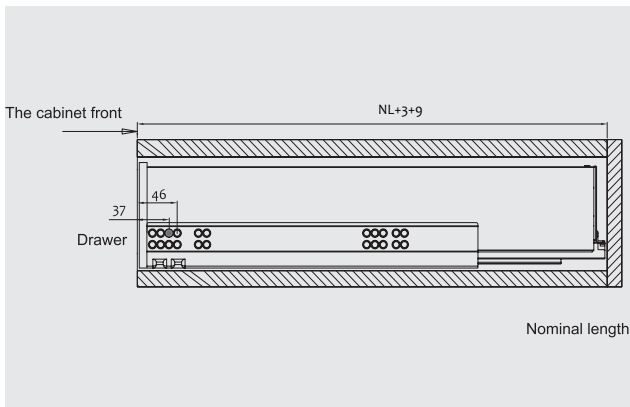
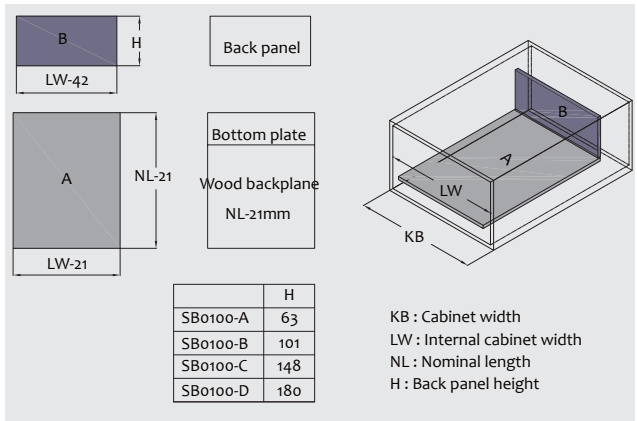
Internal front panel DIY cut



Drawer slide installation dimensions



Cutting dimensions for back panel



MEATONIST SLIM BOX

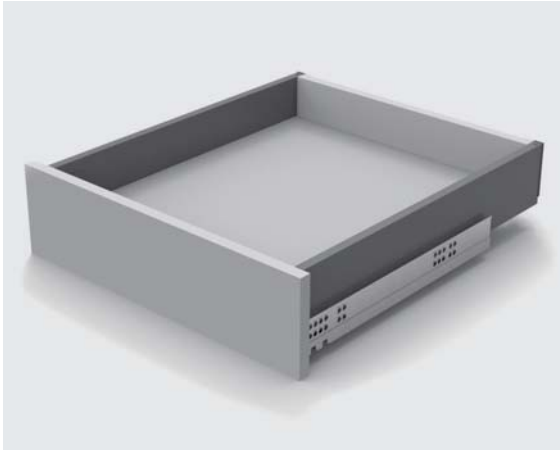
SB0200-A01/B01/C01/D01

Meatonist Slim Box - 3 fold concealed slide with handle



B

Meatonist Slim Box

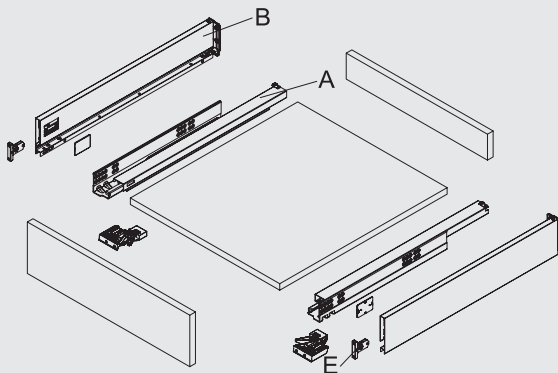


Soft-close

- Heights, 63/101/148/180mm.
- Wide range of depth from 270mm;300mm;350mm;400mm;450mm;500mm;550mm.
- 4 regular colors: Black(B), White(W), Dark grey(G), Light grey(O), custom-made colors acceptable.
- Front convenient fine adjustment mechanism integrated.
Up & down ± 1.5 mm, left & right ± 1.5 mm.

Product Information

Components view



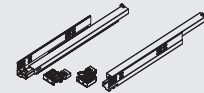
A: DY3341

Drawer slide L/R

Material - SECC

Loading capacity: 30kg

Length: 260mm;290mm;340mm;390mm;440mm;490mm;540mm.



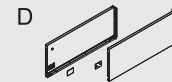
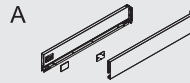
B: SS2900-A/B/C/D

Side wall L/R

Material - cold-rolled steel

Color - Match for set color

Length: 270mm;300mm;350mm;400mm;450mm;500mm;550mm.



E: SS1900-TA1/TB1/TC1

Front connector

Material - SECC + plastic



SS1900-TA2/TB2/TC2

Clip on front connector

Material - SECC + plastic



SS1900-TA5/TB5/TC5

Clip on front connector

Material - SECC



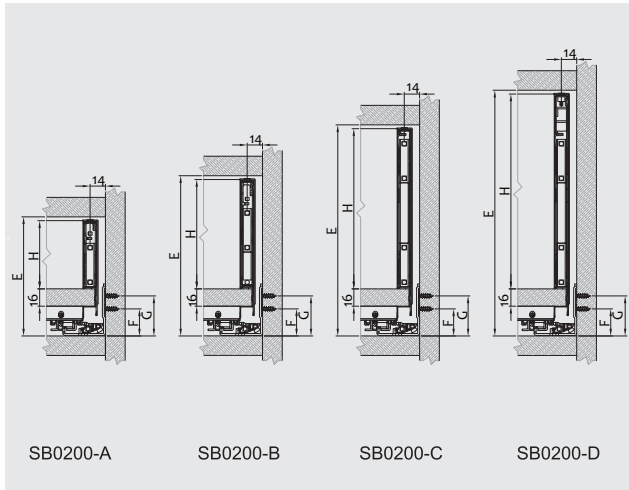
SS1900-TA6/TB6/TC6

Clip on front connector

Material - SECC + plastic



Cabinet space requirements



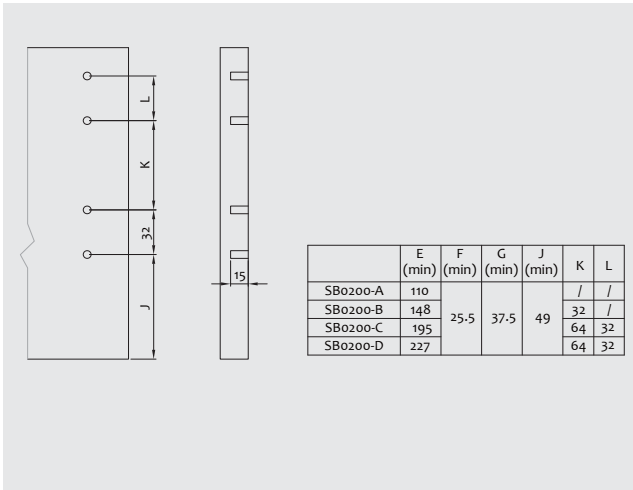
SB0200-A

SB0200-B

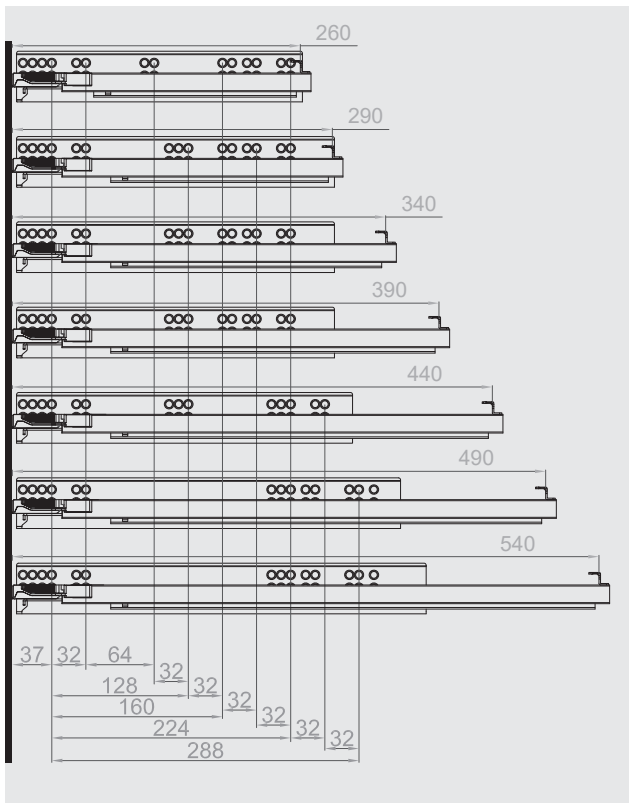
SB0200-C

SB0200-D

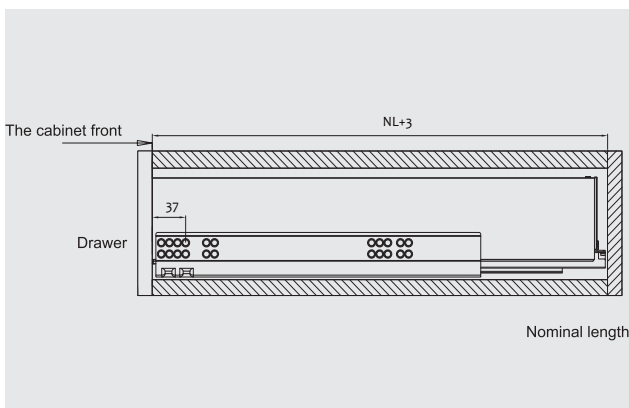
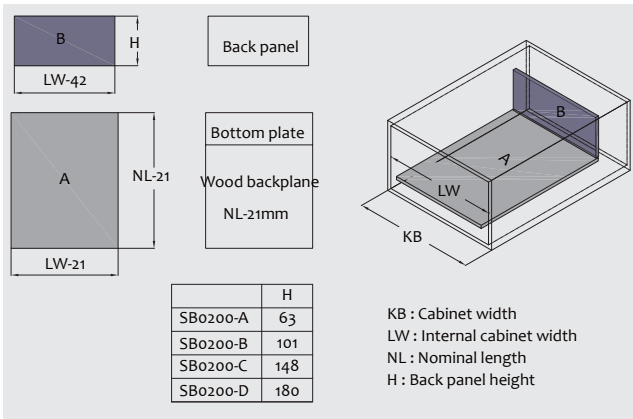
Mounting



Drawer slide installation dimensions



Cutting dimensions for back panel



Meatonist Slim Box - B.7

MEATONIST SLIM BOX

SB0200-A03/B03/C03/D03



Meatonist Slim Inner Box - 3 fold concealed slide with handle

B

Meatonist Slim Box

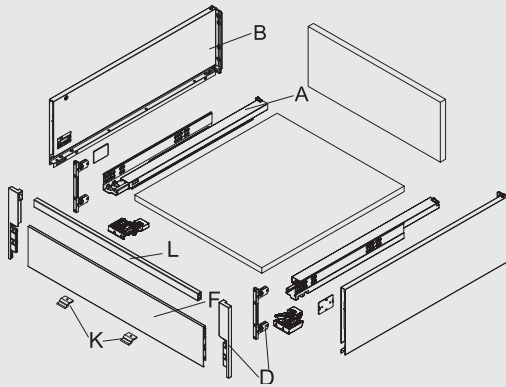


Soft-close

- Inner drawer, height 63/101/148/180mm.
- Wide range of depth from 270mm;300mm;350mm;400mm;450mm;500mm;550mm.
- 4 regular colors: Black(B), White(W), Dark grey(G), Light grey(O), custom-made colors acceptable.
- Front convenient fine adjustment mechanism integrated.
Up & down ± 1.5 mm, left & right ± 1.5 mm.

Product Information

Components view



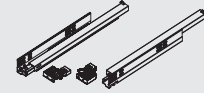
A: DY3341

Drawer slide L/R

Material - SECC

Loading capacity: 30kg

Length: 260mm;290mm;340mm;390mm;440mm;490mm;540mm.



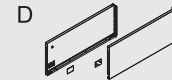
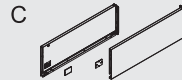
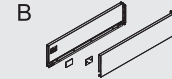
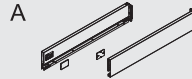
B: SS2900-A/B/C/D

Side wall L/R

Material - cold-rolled steel

Color - Match for set color

Length: 270mm;300mm;350mm;400mm;450mm;500mm;550mm.



D: S12902-A/B/C/D

Inner drawer front connector L/R

Material - SECC+ plastic

Color - Match for set color



F: S52931

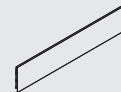
Inner drawer front panel

Material - aluminium

Color - Match for set color

Automatically cut - the cabinet body width LW - 14

Length: 600mm;800mm;900mm;1000mm;1200mm

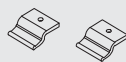


K: SS1800-37

Front panel bracket to bottom panel

Material - plastic

Color - Silver grey



L: S52932

Front square railing

Material - aluminium

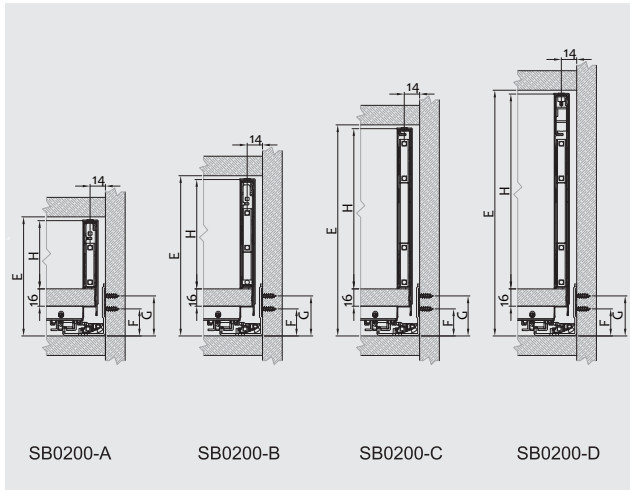
Color - Match for set color

Automatically cut - the cabinet body width LW - 49

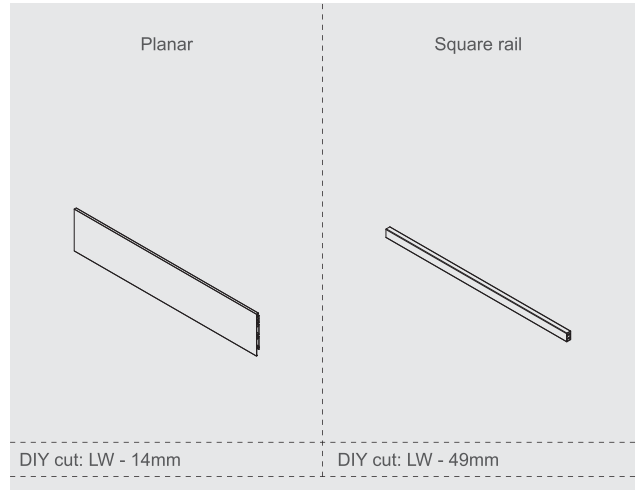
Length: 600mm;800mm;900mm;1000mm;1200mm



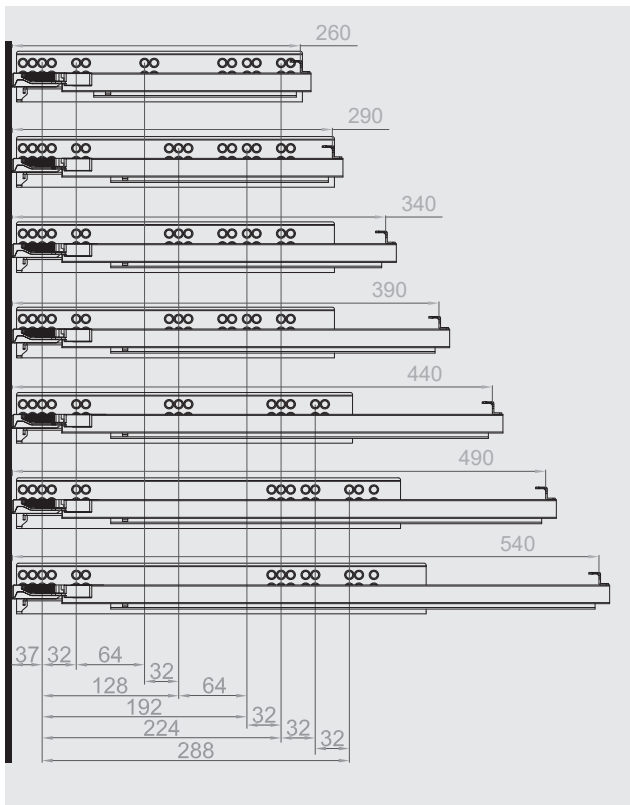
Cabinet space requirements



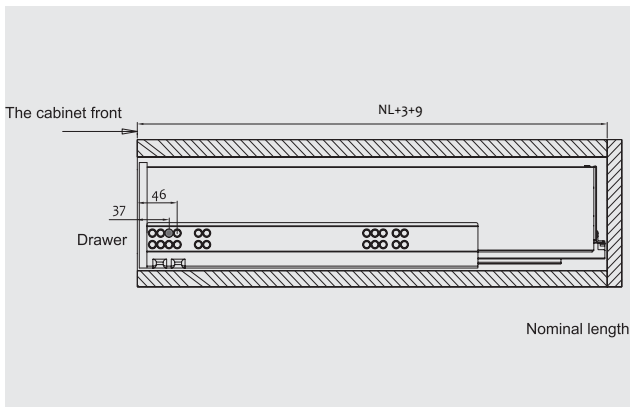
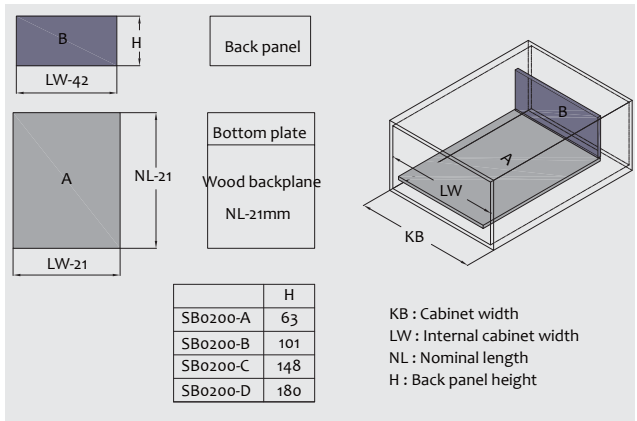
Internal front panel DIY cut



Drawer slide installation dimensions



Cutting dimensions for back panel



- A03
- B03
- C03
- D03



MEATONIST SLIM BOX

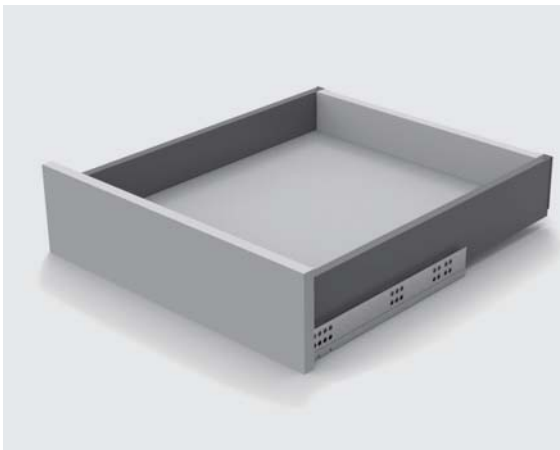
SB0300-A01/B01/C01/D01

Meatonist Slim Box - 2 fold concealed slide with handle



B

Meatonist Slim Box

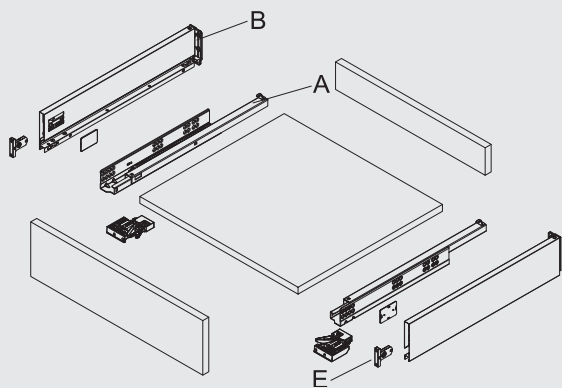


Soft-close

- Heights, 63/101/148/180mm.
- Wide range of depth from 270mm;300mm;350mm;400mm;450mm;500mm;550mm.
- 4 regular colors: Black(B), White(W), Dark grey(G), Light grey(O), custom-made colors acceptable.
- Front convenient fine adjustment mechanism integrated.
Up & down ± 1.5 mm, left & right ± 1.5 mm.

Product Information

Components view



A: DY2341

Drawer slide L/R

Material - SECC

Loading capacity: 25kg

Length: 260mm;290mm;340mm;390mm;440mm;490mm;540mm.



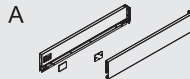
B: SS2900-A/B/C/D

Side wall L/R

Material - cold-rolled steel

Color - Match for set color

Length: 270mm;300mm;350mm;400mm;450mm;500mm;550mm.



E: SS1900-TA1/TB1/TC1

Front connector

Material - SECC + plastic

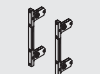
TA1



TB1



TC1



SS1900-TA2/TB2/TC2

Clip on front connector

Material - SECC + plastic

TA2



TB2



TC2



SS1900-TA5/TB5/TC5

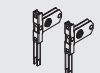
Clip on front connector

Material - SECC

TA5



TB5



TC5



SS1900-TA6/TB6/TC6

Clip on front connector

Material - SECC + plastic

TA6



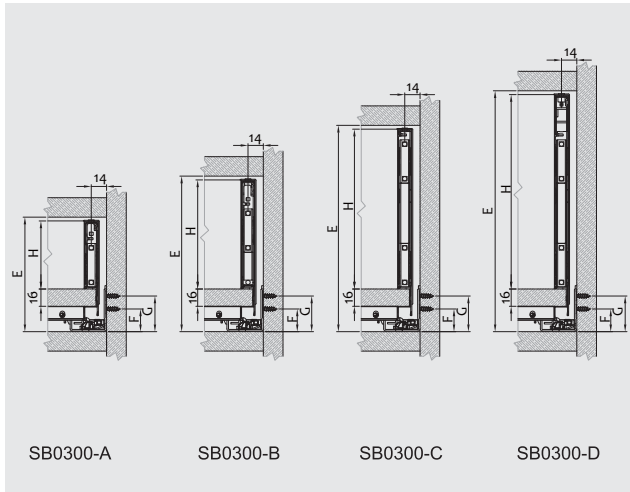
TB6



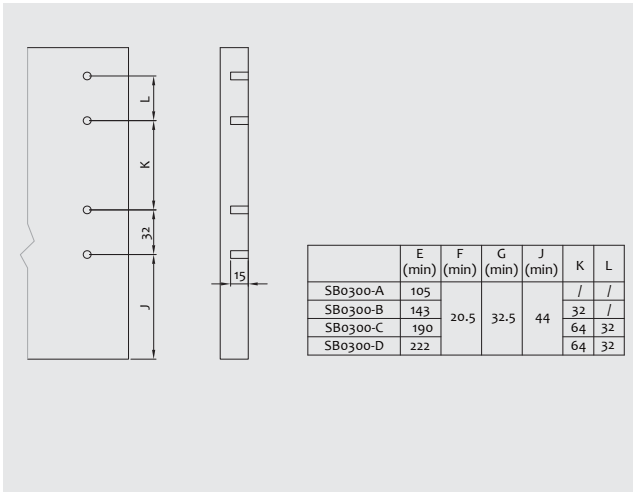
TC6



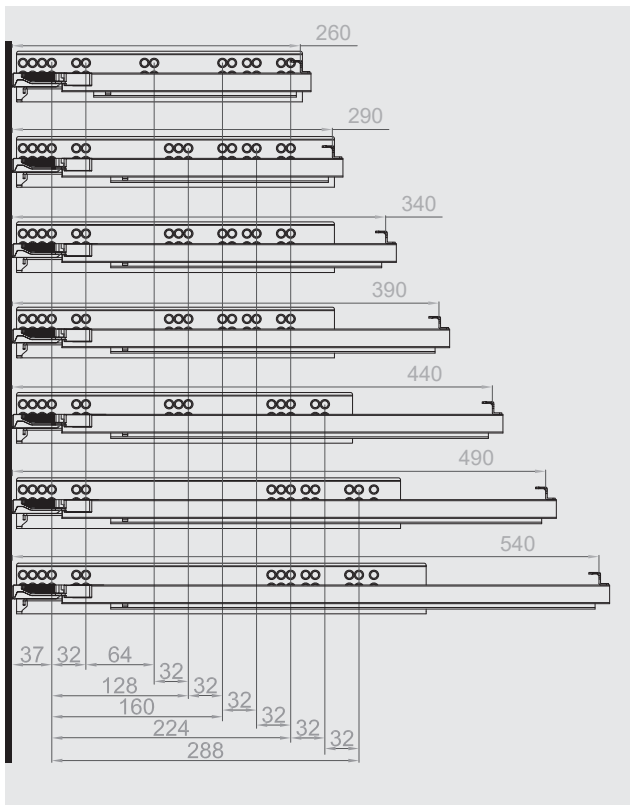
Cabinet space requirements



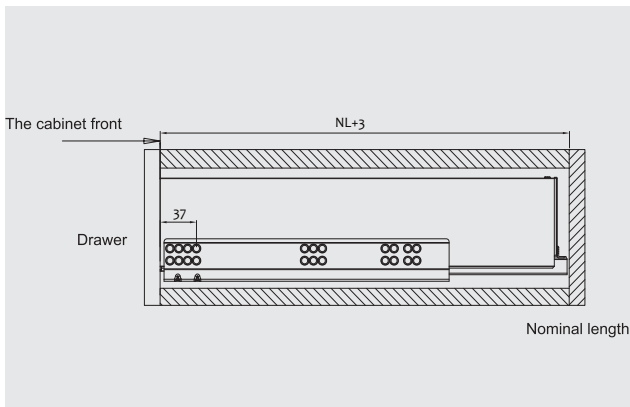
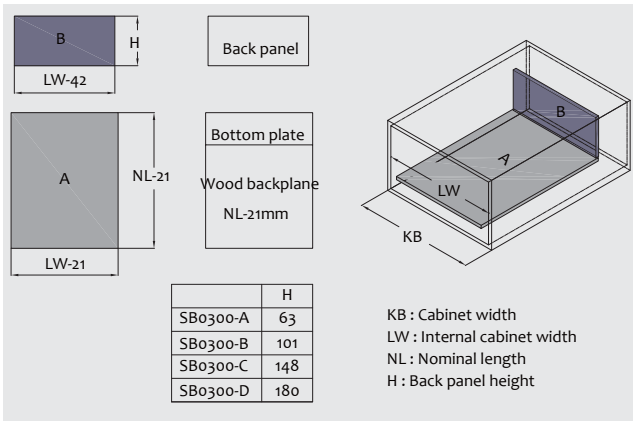
Mounting



Drawer slide installation dimensions



Cutting dimensions for back panel



Meatonist Slim Box - B.11

MEATONIST SLIM BOX

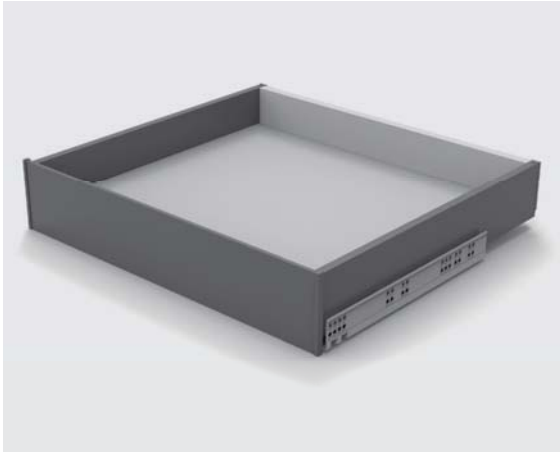
SB0300-A03/B03/C03/D03



Meatonist Slim Inner Box - 2 fold concealed slide with handle

B

Meatonist Slim Box

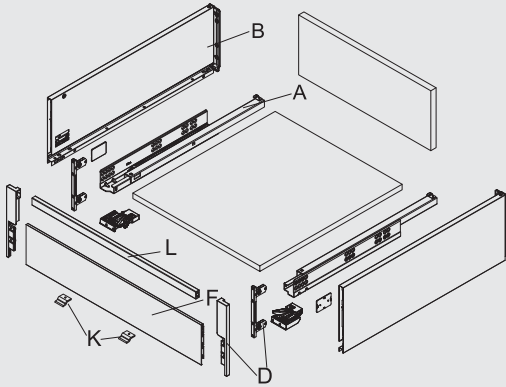


Soft-close

- Inner drawer, height 63/101/148/180mm.
- Wide range of depth from 270mm;300mm;350mm;400mm;450mm;500mm;550mm.
- 4 regular colors: Black(B), White(W), Dark grey(G), Light grey(O), custom-made colors acceptable.
- Front convenient fine adjustment mechanism integrated.
Up & down ± 1.5 mm, left & right ± 1.5 mm.

Product Information

Components view



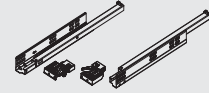
A: DY2341

Drawer slide L/R

Material - SECC

Loading capacity: 25kg

Length: 260mm;290mm;340mm;390mm;440mm;490mm;540mm.



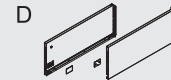
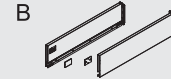
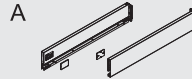
B: SS2900-A/B/C/D

Side wall L/R

Material - cold-rolled steel

Color - Match for set color

Length: 270mm;300mm;350mm;400mm;450mm;500mm;550mm.



D: S12902-A/B/C/D

Inner drawer front connector L/R

Material - SECC+ plastic

Color - Match for set color



F: S52931

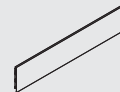
Inner drawer front panel

Material - aluminium

Color - Match for set color

Automatically cut - the cabinet body width LW - 14

Length: 600mm;800mm;900mm;1000mm;1200mm

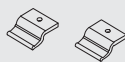


K: SS1800-37

Front panel bracket to bottom panel

Material - plastic

Color - Silver grey



L: S52932

Front square railing

Material - aluminium

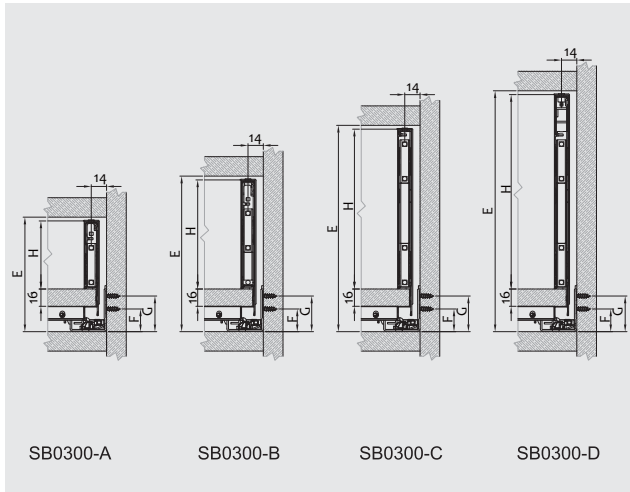
Color - Match for set color

Automatically cut - the cabinet body width LW - 49

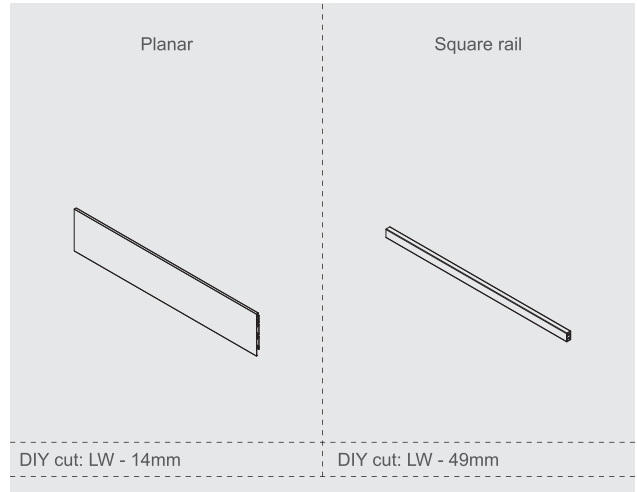
Length: 600mm;800mm;900mm;1000mm;1200mm



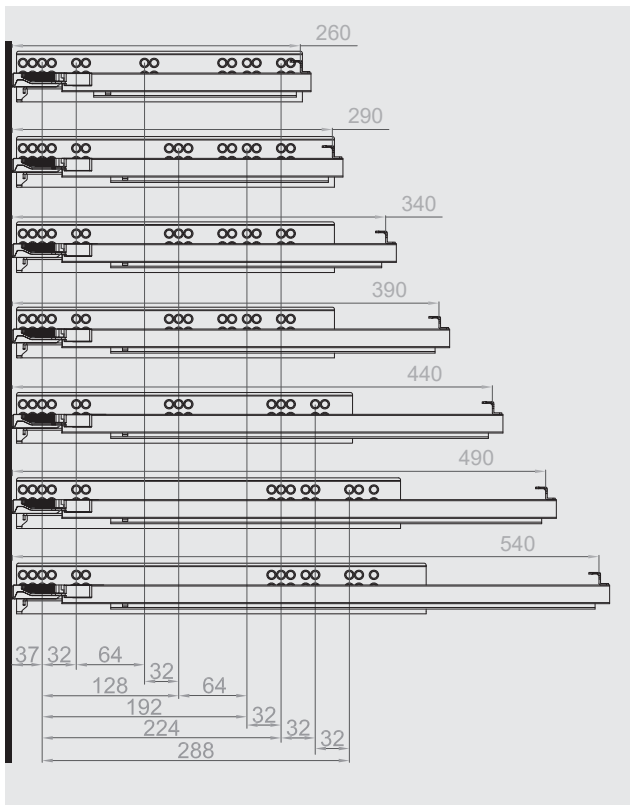
Cabinet space requirements



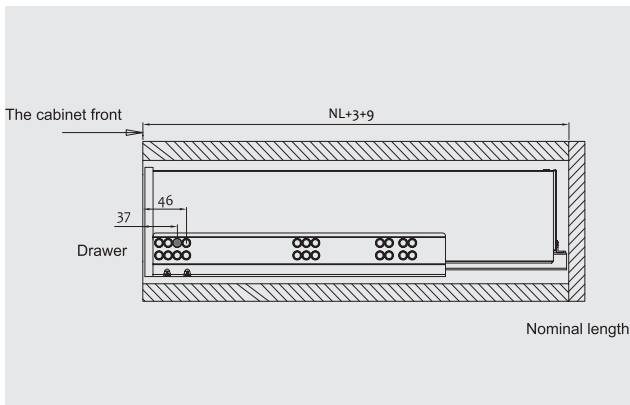
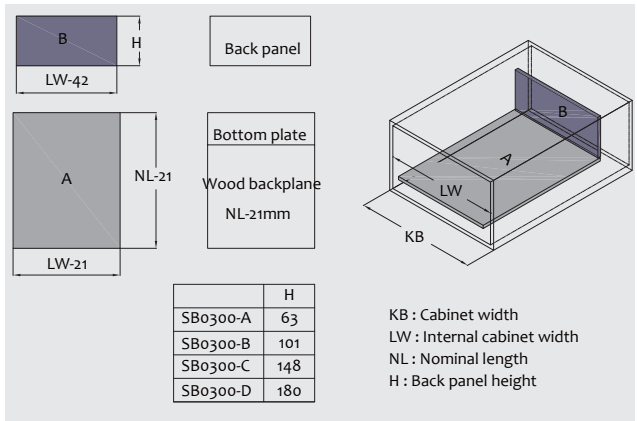
Internal front panel DIY cut



Drawer slide installation dimensions



Cutting dimensions for back panel



- A03
- B03
- C03
- D03



MEATONIST SLIM BOX

SB0303

Meatonist Slim Box - 2 fold concealed slide



B

Meatonist Slim Box

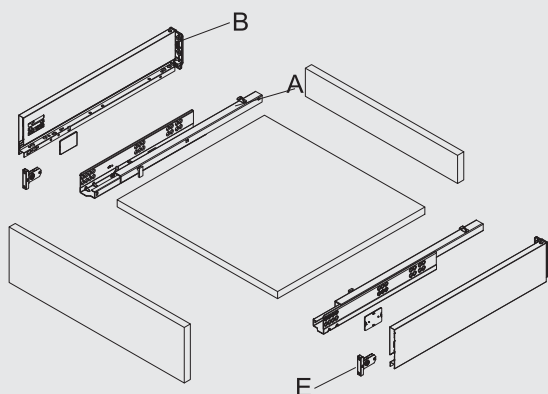


Soft-close

- Heights, 63/101/148/180mm.
- Wide range of depth from 270mm;300mm;350mm;400mm;450mm;500mm.
- 4 regular colors: Black(B), White(W), Dark grey(G), Light grey(O), custom-made colors acceptable.
- Front convenient fine adjustment mechanism integrated. Up & down +2mm.

Product Information

Components view



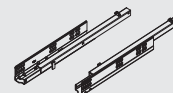
A: DY2246

Drawer slide L/R

Material - SECC

Loading capacity: 25kg

Length: 260mm;290mm;340mm;390mm;440mm;490mm.



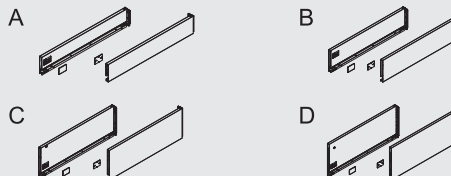
B: SS2903-A/B/C/D

Side wall L/R

Material - cold-rolled steel

Color - Match for set color

Length: 270mm;300mm;350mm;400mm;450mm;500mm.



E: SS1900-TA1/TB1/TC1

Front connector

Material - SECC + plastic



SS1900-TA2/TB2/TC2

Clip on front connector

Material - SECC + plastic



SS1900-TA5/TB5/TC5

Clip on front connector

Material - SECC



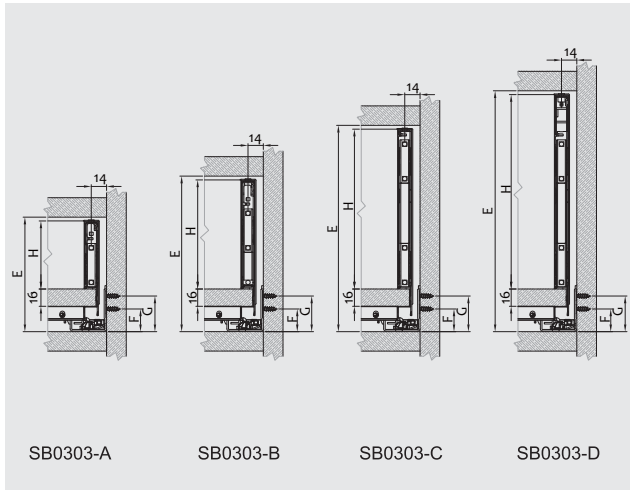
SS1900-TA6/TB6/TC6

Clip on front connector

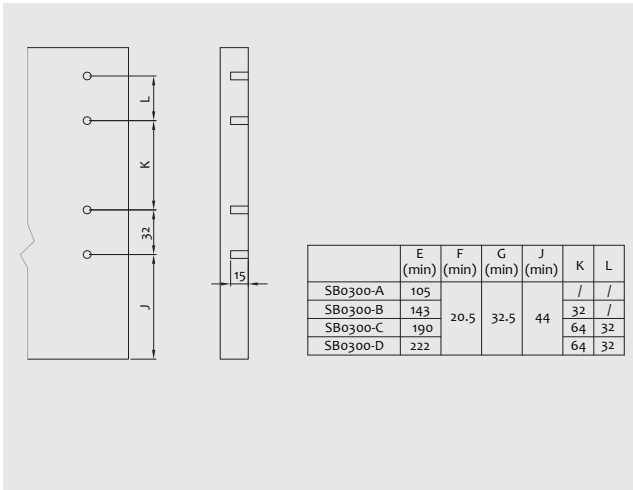
Material - SECC + plastic



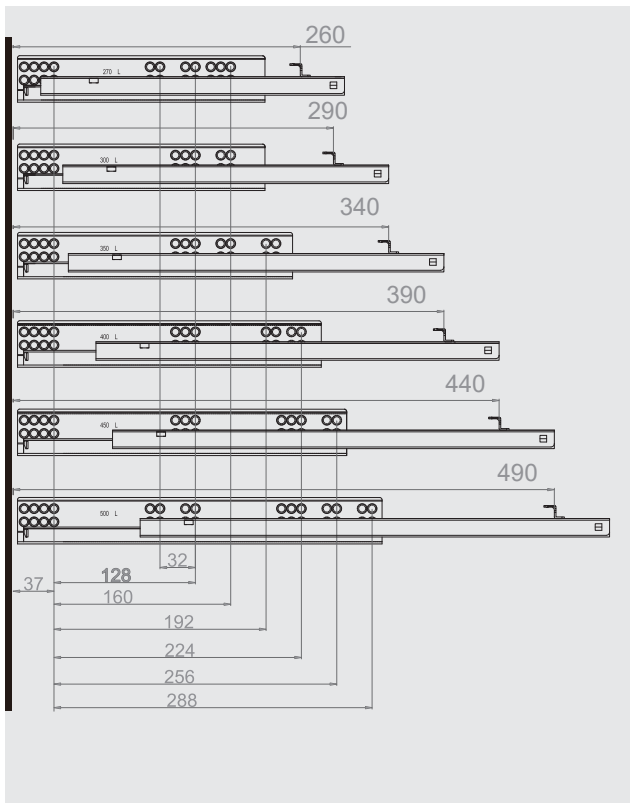
Cabinet space requirements



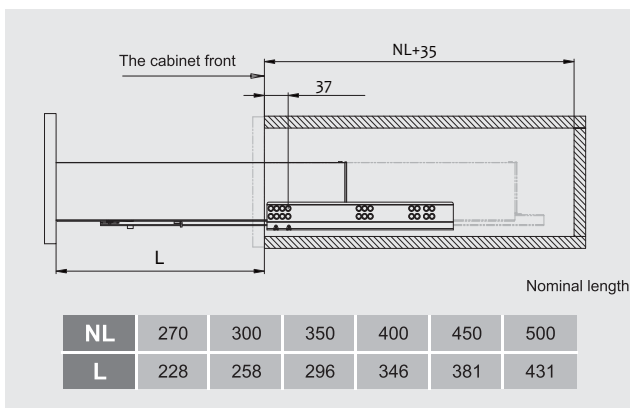
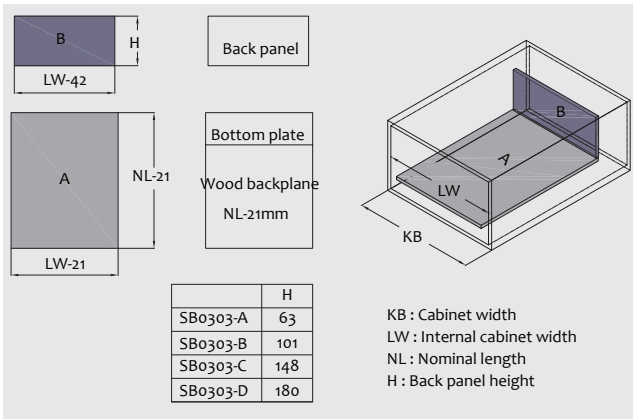
Mounting



Drawer slide installation dimensions



Cutting dimensions for back panel



Meatonist Slim Box - B.15

MEATONIST SLIM BOX

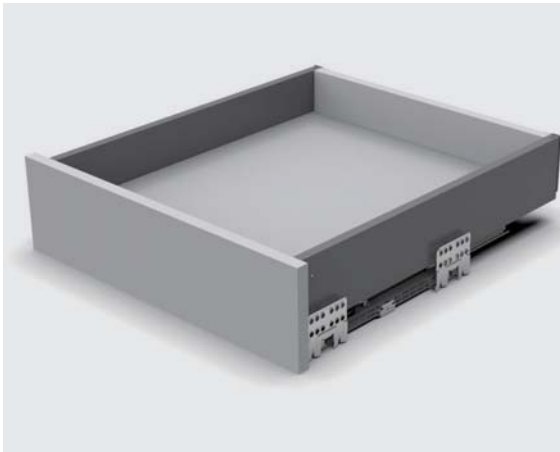
SB2900-A01/B01/C01/D01

Meatonist Slim Box with tandem slide



B

Meatonist Slim Box

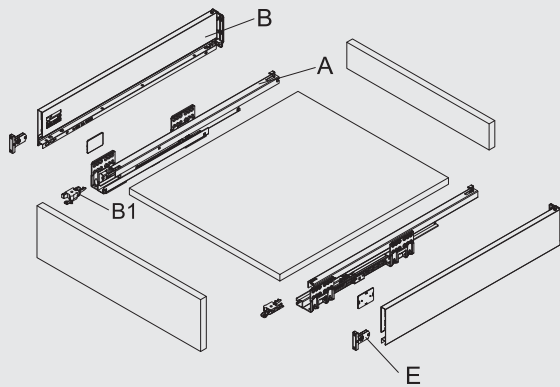


Soft-close

- Heights, 63/101/148/180mm.
- Wide range of depth from 270mm;300mm;350mm;400mm;450mm;500mm;550mm.
- 4 regular colors: Black(B), White(W), Dark grey(G), Light grey(O), custom-made colors acceptable.
- Front convenient fine adjustment mechanism integrated. Up & down ± 1.5 mm, left & right ± 1.5 mm.
- Synchronization mechanism of the slides stabilizes the sliding motion and eliminates noises from the living space.

Product Information

Components view



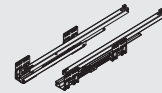
A: SS2900-S

Drawer slide L/R

Material - SECC

Loading capacity: 40kg

Length: 270mm;300mm;350mm;400mm;450mm;500mm;550mm.



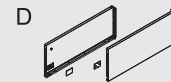
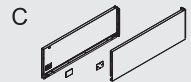
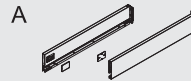
B: SS2900-A/B/C/D

Side wall L/R

Material - cold-rolled steel

Color - Match for set color

Length: 270mm;300mm;350mm;400mm;450mm;500mm;550mm.

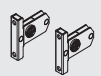


E: SS1900-TA1/TB1/TC1

Front connector

Material - SECC + plastic

TA1



TB1



TC1

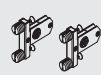


SS1900-TA2/TB2/TC2

Clip on front connector

Material - SECC + plastic

TA2



TB2



TC2

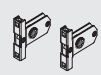


SS1900-TA5/TB5/TC5

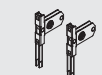
Clip on front connector

Material - SECC

TA5



TB5



TC5



SS1900-TA6/TB6/TC6

Clip on front connector

Material - SECC + plastic

TA6



TB6



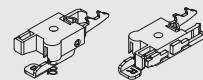
TC6



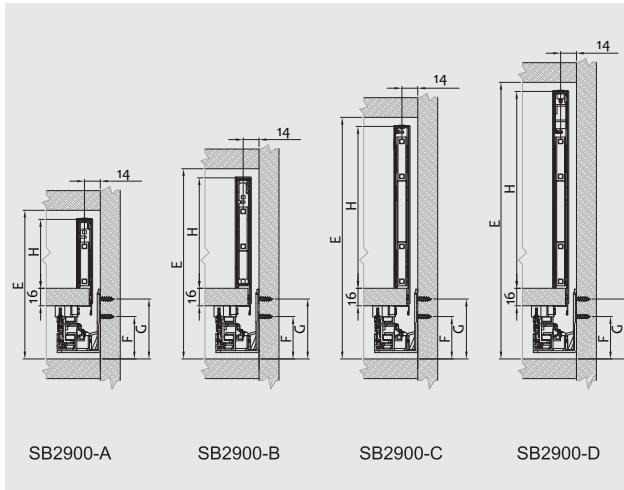
B1: SS2960

Side wall Buckle assembly L/R

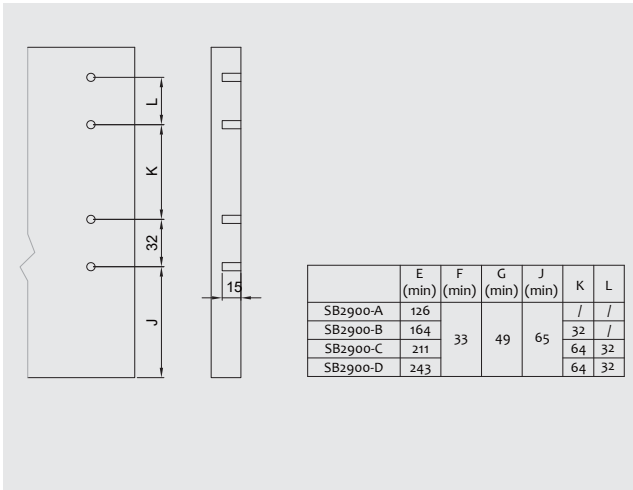
Material - plastic+iron



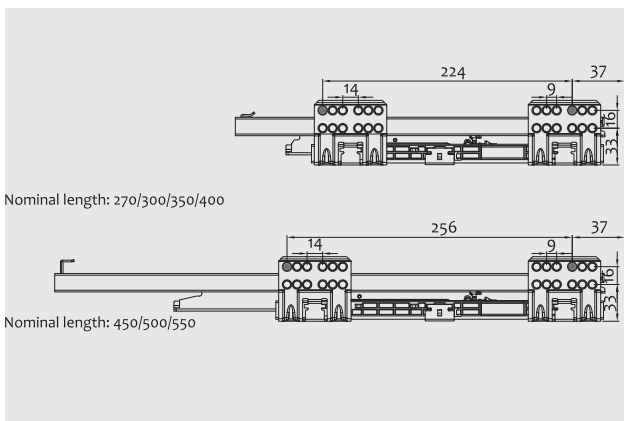
Cabinet space requirements



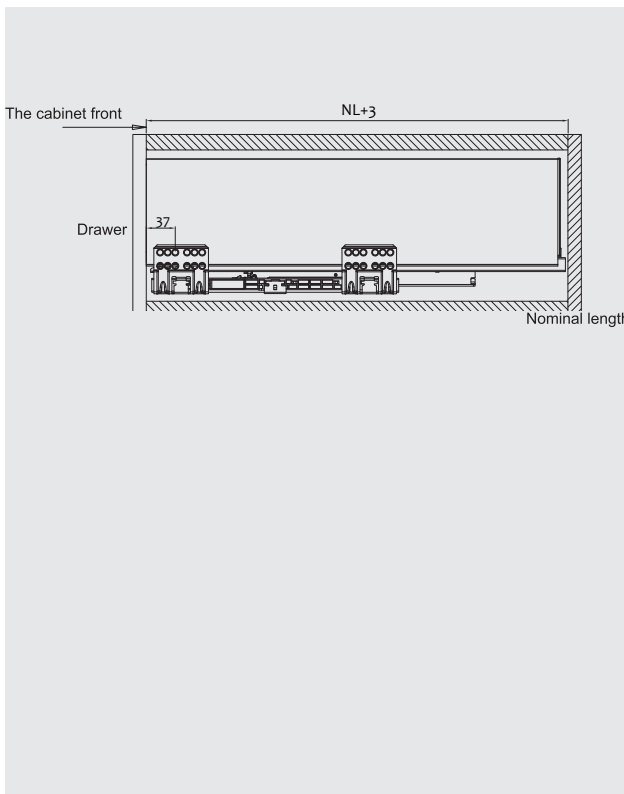
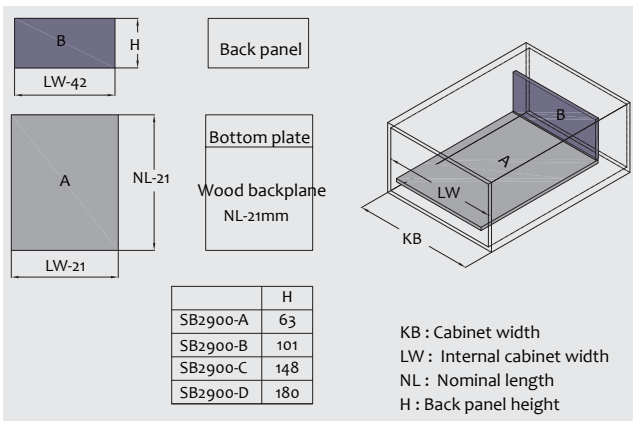
Mounting



Drawer slide installation dimensions



Cutting dimensions for back panel



MEATONIST SLIM BOX

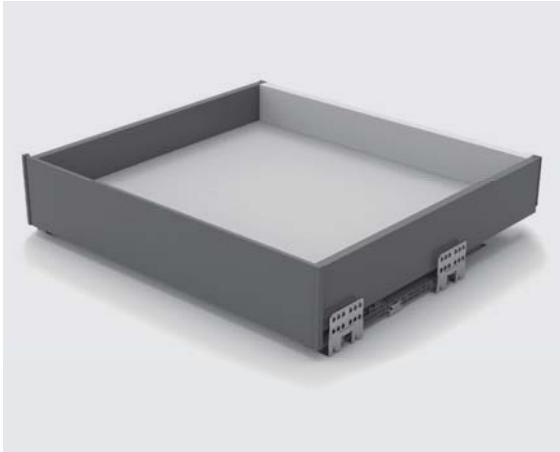
SB2900-A03/B03/C03/D03

Meatonist Slim Inner Box with tandem slide



B

Meatonist Slim Box

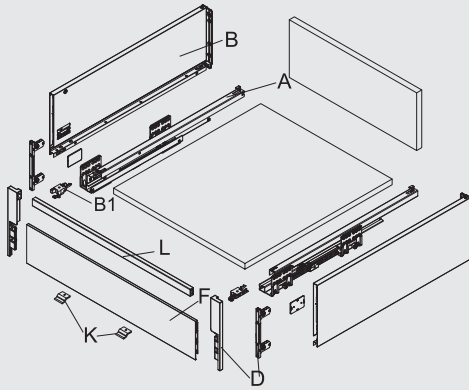


Soft-close

- Inner drawer, height 63/101/148/180mm.
- Wide range of depth from 270mm;300mm;350mm;400mm;450mm;500mm;550mm.
- 4 regular colors: Black(B), White(W), Dark grey(G), Light grey(O), custom-made colors acceptable.
- Front convenient fine adjustment mechanism integrated. Up & down ± 1.5 mm, left & right ± 1.5 mm.
- Synchronization mechanism of the slides stabilizes the sliding motion and eliminates noises from the living space.

Product Information

Components view



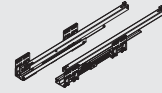
A: SS2900-S

Drawer slide L/R

Material - SECC

Loading capacity: 40kg

Length: 270mm;300mm;350mm;400mm;450mm;500mm;550mm.



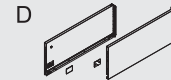
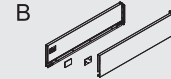
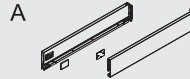
B: SS2900-A/B/C/D

Side wall L/R

Material - cold-rolled steel

Color - Match for set color

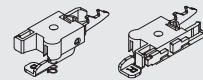
Length: 270mm;300mm;350mm;400mm;450mm;500mm;550mm.



B1: SS2960

Side wall Buckle assembly L/R

Material - plastic+iron

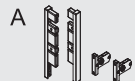


D: S12902-A/B/C/D

Inner drawer front connector L/R

Material - SECC+ plastic

Color - Match for set color



L: S52932

Front square railing

Material - aluminium

Color - Match for set color

Automatically cut - the cabinet body width LW - 49

Length: 600mm;800mm;900mm;1000mm;1200mm



F: S52931

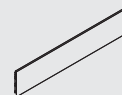
Inner drawer front panel

Material - aluminium

Color - Match for set color

Automatically cut - the cabinet body width LW - 14

Length: 600mm;800mm;900mm;1000mm;1200mm



K: SS1800-37

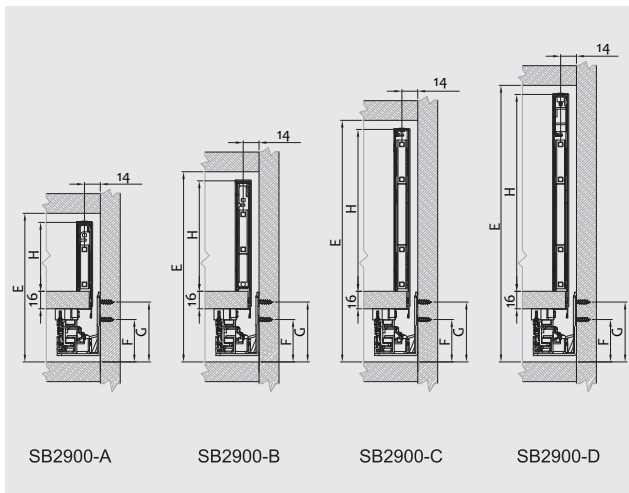
Front panel bracket to bottom panel

Material - plastic

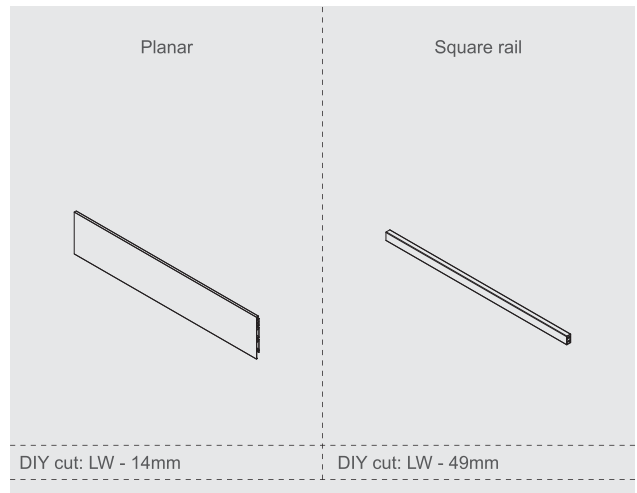
Color - Silver grey



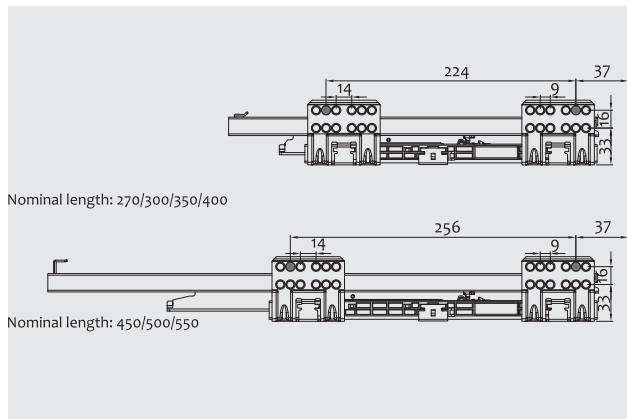
Cabinet space requirements



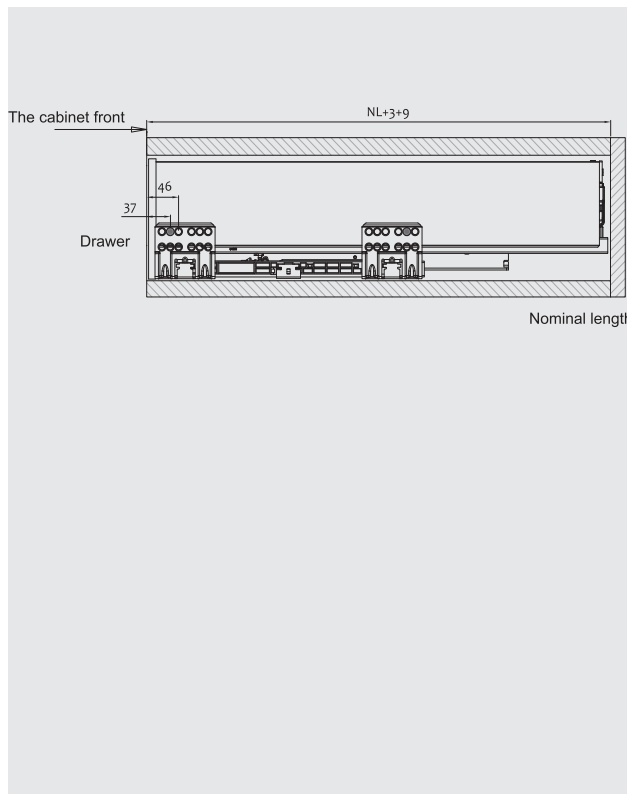
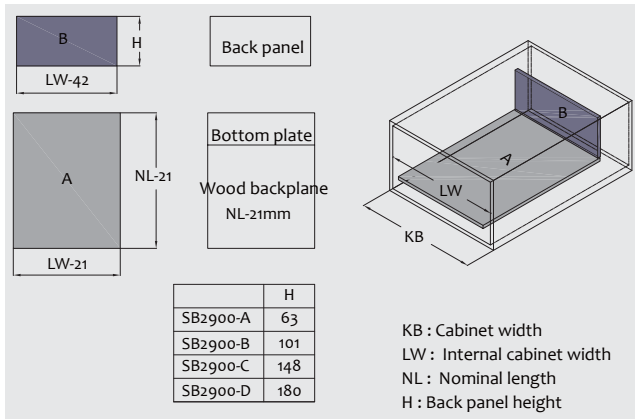
Internal front panel DIY cut



Drawer slide installation dimensions



Cutting dimensions for back panel



MEATONIST SLIM BOX

SB2901

Meatonist Slim Box with tilt adjustment with tandem slide



B

Meatonist Slim Box

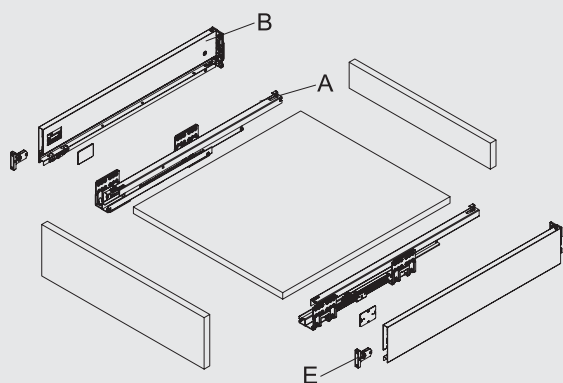


Soft-close

- Heights, 63/101/148/180mm.
- Wide range of depth from 270mm;300mm;350mm;400mm;450mm;500mm;550mm.
- 4 regular colors: Black(B), White(W), Dark grey(G), Light grey(O), custom-made colors acceptable.
- Front convenient fine adjustment mechanism integrated. Up & down ± 1.5 mm, left & right ± 1.5 mm.
- Synchronization mechanism of the slides stabilizes the sliding motion and eliminates noises from the living space.

Product Information

Components view



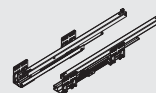
A: SS2900-S

Drawer slide L/R

Material - SECC

Loading capacity: 40kg

Length: 270mm;300mm;350mm;400mm;450mm;500mm;550mm.



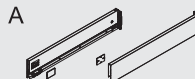
B: SS2901-A/B/C/D

Side wall L/R

Material - cold-rolled steel

Color - Match for set color

Length: 270mm;300mm;350mm;400mm;450mm;500mm;550mm.



E: SS1900-TA1/TB1/TC1

Front connector

Material - SECC + plastic



SS1900-TA2/TB2/TC2

Clip on front connector

Material - SECC + plastic



SS1900-TA5/TB5/TC5

Clip on front connector

Material - SECC



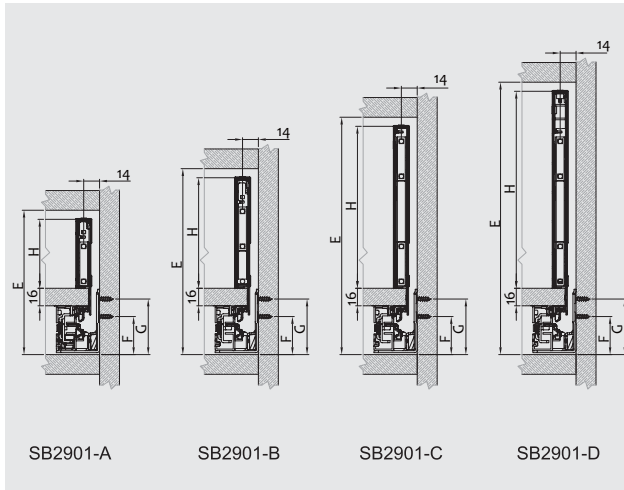
SS1900-TA6/TB6/TC6

Clip on front connector

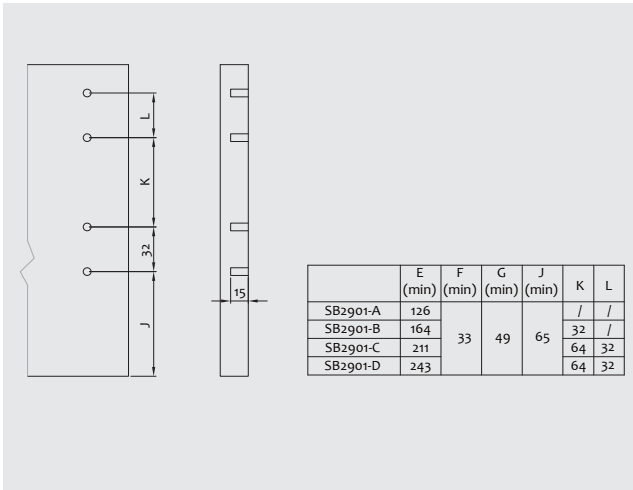
Material - SECC + plastic



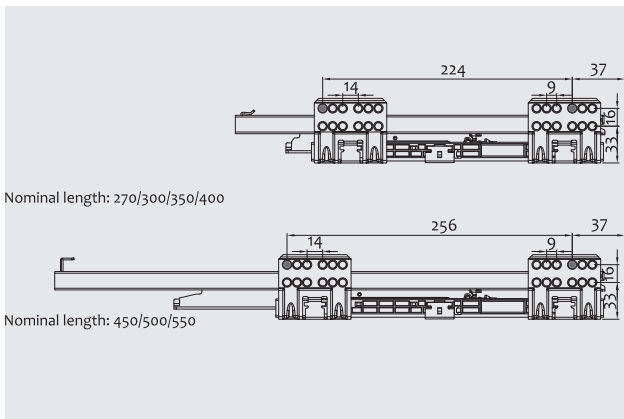
Cabinet space requirements



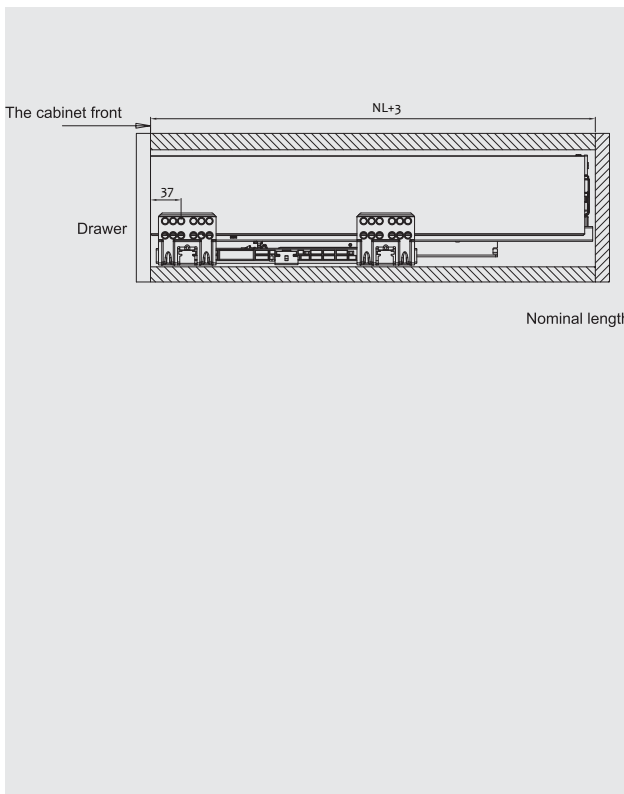
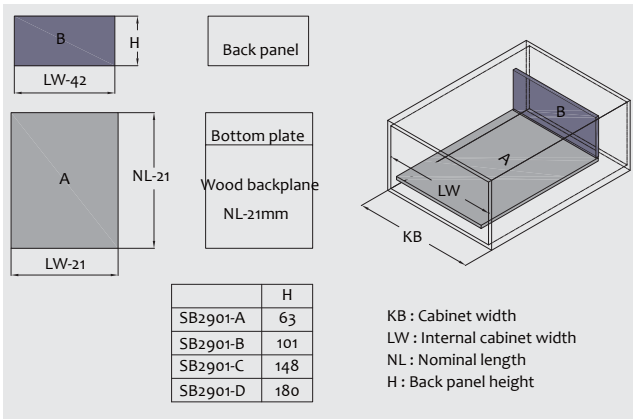
Mounting



Drawer slide installation dimensions



Cutting dimensions for back panel



Meatonist Slim Box - B.21

MEATONIST SLIM BOX

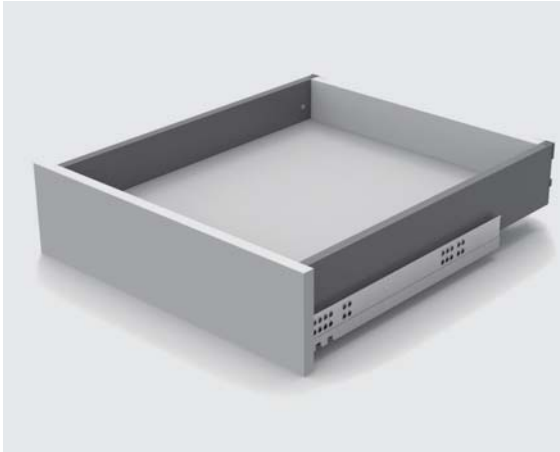
SB0101-A01/B01/C01/D01

Meatonist Slim Box with tilt adjustment - 3 fold synchronized concealed slide



B

Meatonist Slim Box

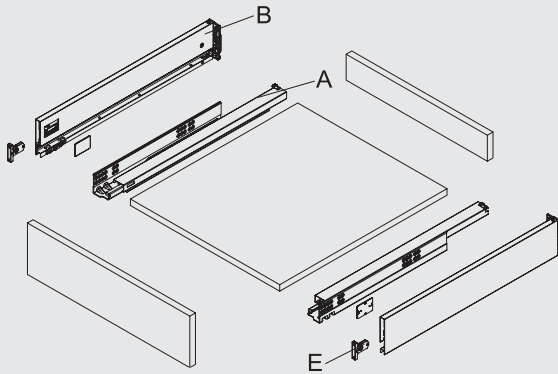


Soft-close

- Heights, 63/101/148/180mm.
- Wide range of depth from 270mm;300mm;350mm;400mm;450mm;500mm;550mm.
- 4 regular colors: Black(B), White(W), Dark grey(G), Light grey(O), custom-made colors acceptable.
- Front convenient fine adjustment mechanism integrated. Up & down ± 1.5 mm, left & right ± 1.5 mm.
- Synchronization mechanism of the slides stabilizes the sliding motion and eliminates noises from the living space.

Product Information

Components view



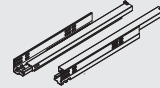
A: DH3322

Drawer slide L/R

Material - SECC

Loading capacity: 30kg

Length: 260mm;290mm;340mm;390mm;440mm;490mm;540mm.



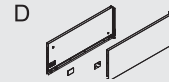
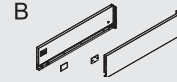
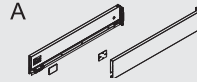
B: SS2901-A/B/C/D

Side wall L/R

Material - cold-rolled steel

Color - Match for set color

Length: 270mm;300mm;350mm;400mm;450mm;500mm;550mm.



E: SS1900-TA1/TB1/TC1

Front connector

Material - SECC + plastic

TA1



TB1



TC1



SS1900-TA2/TB2/TC2

Clip on front connector

Material - SECC + plastic

TA2



TB2



TC2



SS1900-TA5/TB5/TC5

Clip on front connector

Material - SECC

TA5



TB5



TC5



SS1900-TA6/TB6/TC6

Clip on front connector

Material - SECC + plastic

TA6



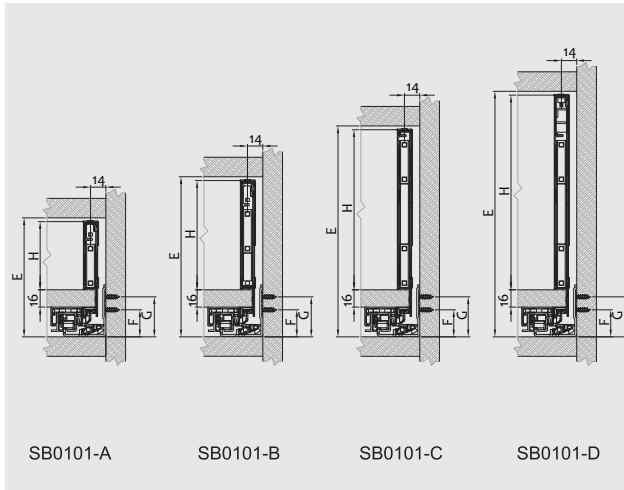
TB6



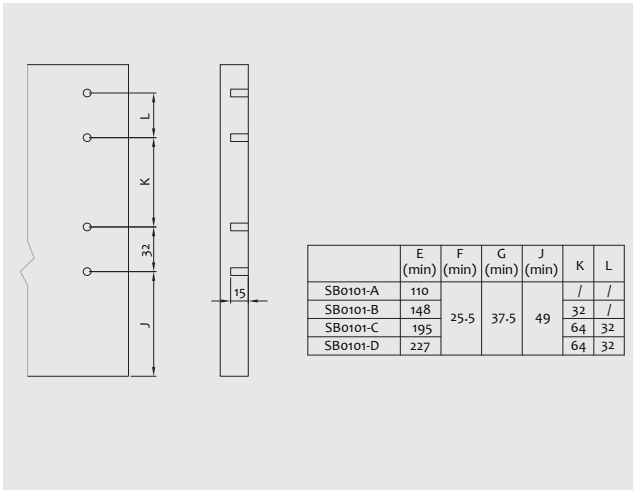
TC6



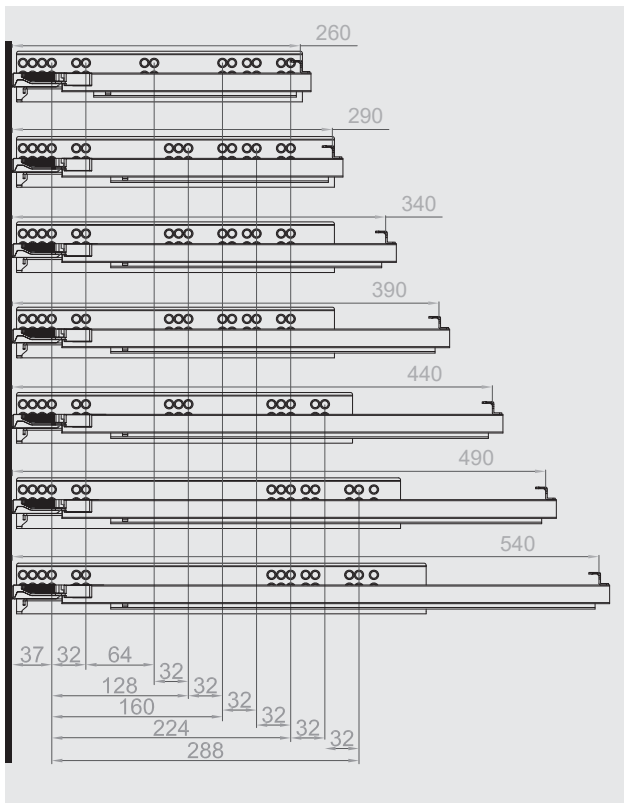
Cabinet space requirements



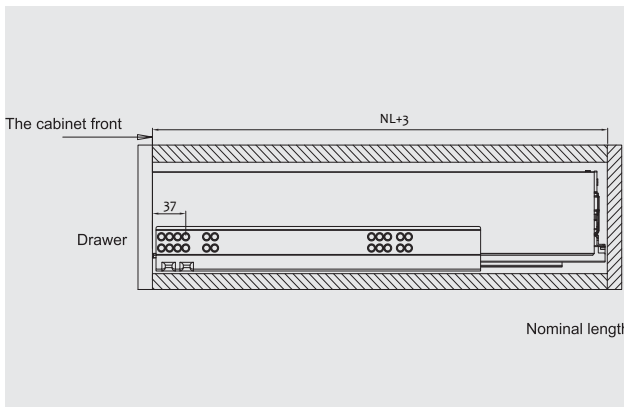
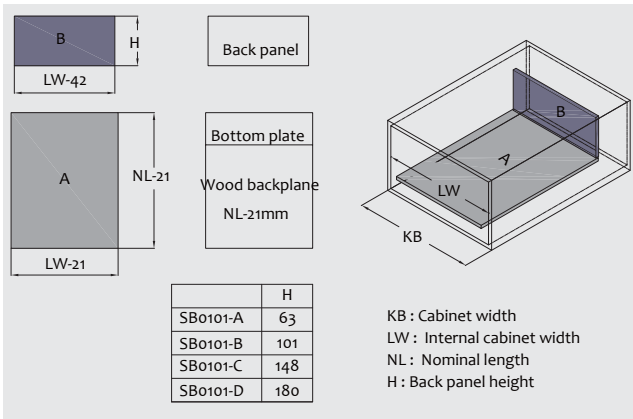
Mounting



Drawer slide installation dimensions



Cutting dimensions for back panel



MEATONIST SLIM BOX

SB0101-A03/B03/C03/D03

Meatonist Slim Inner Box with tilt adjustment - 3 fold synchronized concealed slide



B

Meatonist Slim Box

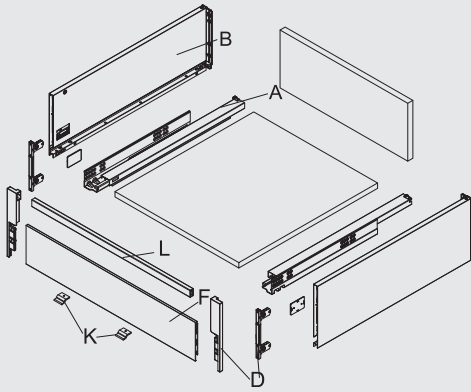


Soft-close

- Inner drawer, height 63/101/148/180mm.
- Wide range of depth from 270mm;300mm;350mm;400mm;450mm;500mm;550mm.
- 4 regular colors: Black(B), White(W), Dark grey(G), Light grey(O), custom-made colors acceptable.
- Front convenient fine adjustment mechanism integrated. Up & down ± 1.5 mm, left & right ± 1.5 mm.
- Synchronization mechanism of the slides stabilizes the sliding motion and eliminates noises from the living space.

Product Information

Components view



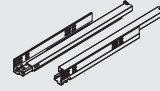
A: DH3322

Drawer slide L/R

Material - SECC

Loading capacity: 30kg

Length: 260mm;290mm;340mm;390mm;440mm;490mm;540mm.



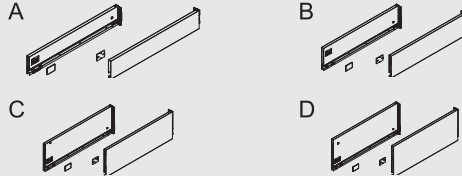
B: SS2901-A/B/C/D

Side wall L/R

Material - cold-rolled steel

Color - Match for set color

Length: 270mm;300mm;350mm;400mm;450mm;500mm;550mm.

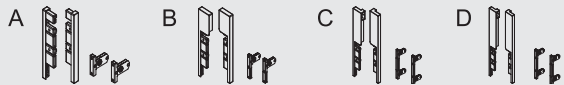


D: S12902-A/B/C/D

Inner drawer front connector L/R

Material - SECC+ plastic

Color - Match for set color



F: S52931

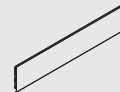
Inner drawer front panel

Material - aluminium

Color - Match for set color

Automatically cut - the cabinet body width LW - 14

Length: 600mm;800mm;900mm;1000mm;1200mm

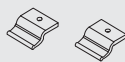


K: SS1800-37

Front panel bracket to bottom panel

Material - plastic

Color - Silver grey



L: S52932

Front square railing

Material - aluminium

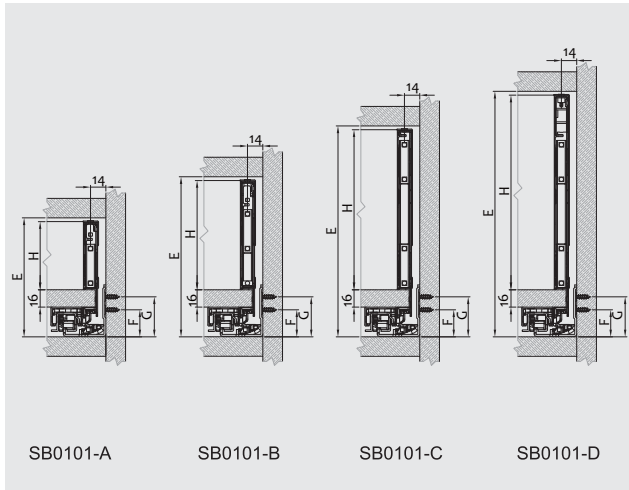
Color - Match for set color

Automatically cut - the cabinet body width LW - 49

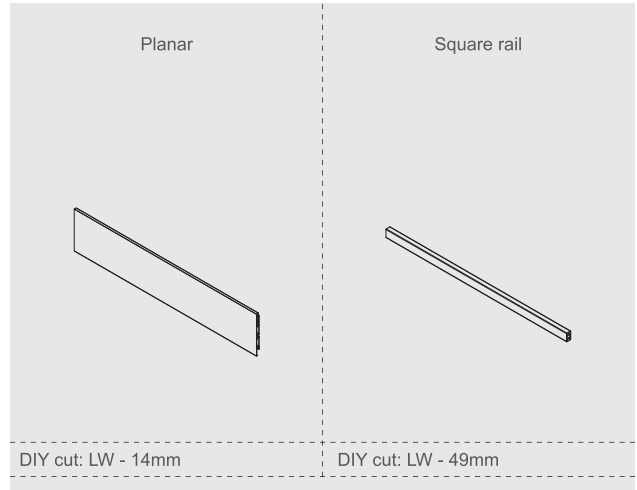
Length: 600mm;800mm;900mm;1000mm;1200mm



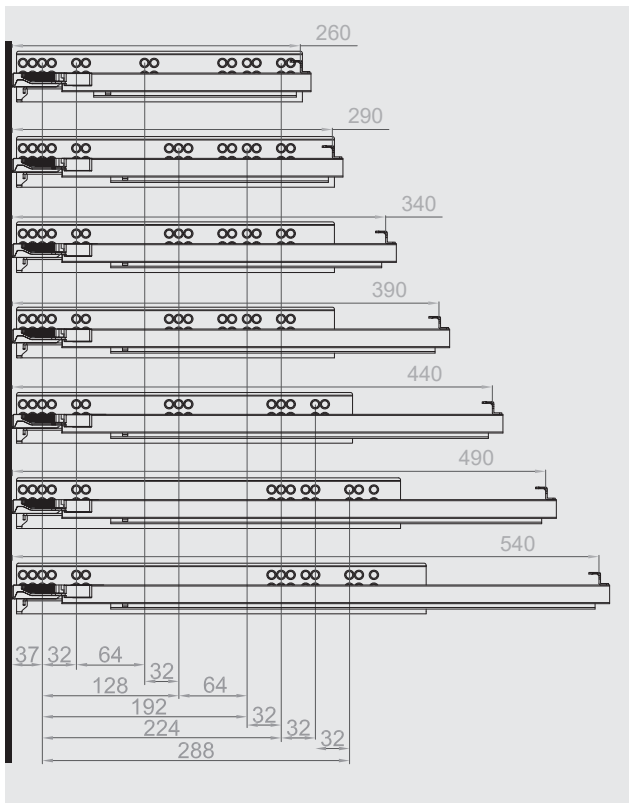
Cabinet space requirements



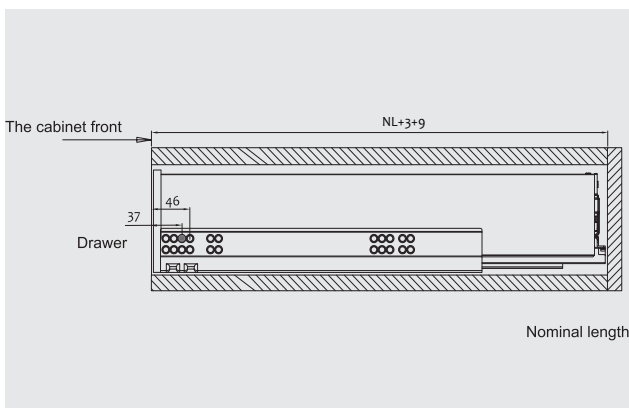
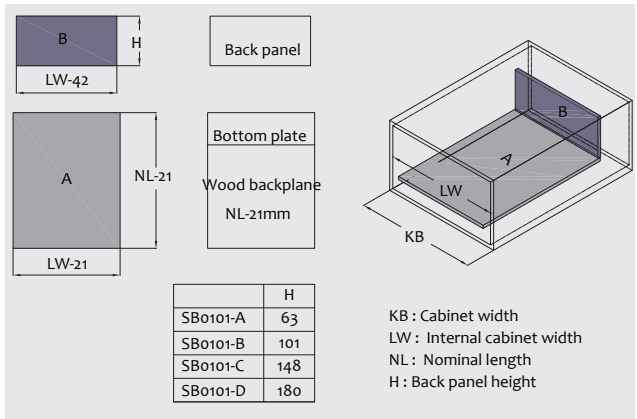
Internal front panel DIY cut



Drawer slide installation dimensions



Cutting dimensions for back panel



MEATONIST SLIM BOX

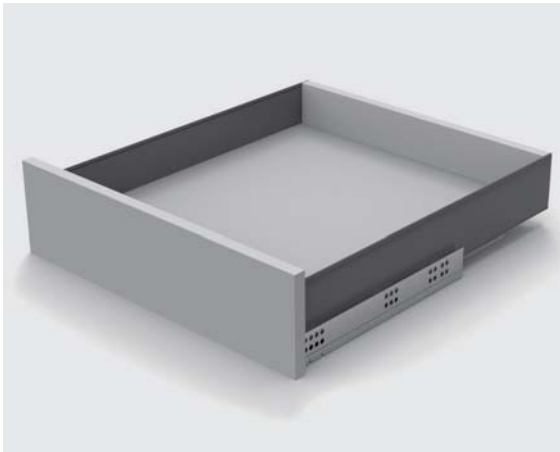
SB3300

Concise Box - ultra slim single wall - 2 fold concealed slide with handle



B

Meatonist Slim Box

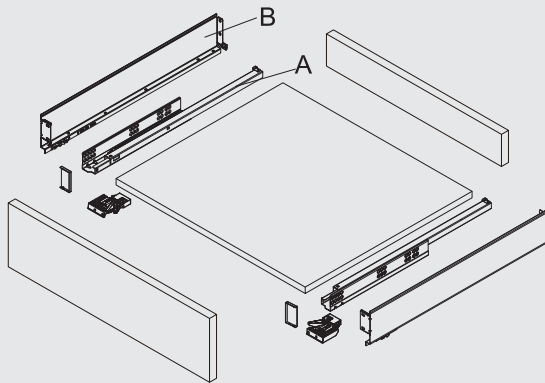


SOFT-CLOSE

- Heights, 63/101/148/180mm.
- Wide range of depth from 270mm;300mm;350mm;400mm;450mm;500mm;550mm.
- 4 regular colors: Black(B), White(W), Dark grey(G), Light grey(O), custom-made colors acceptable.
- Front convenient fine adjustment mechanism integrated. Up & down ± 1.5 mm, left & right ± 1.5 mm.
- Synchronization mechanism of the slides stabilizes the sliding motion and eliminates noises from the living space.

Product Information

Components view



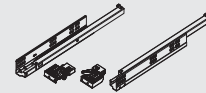
A: DY2341

Drawer slide L/R

Material - SECC

Loading capacity: 25kg

Length: 260mm;290mm;340mm;390mm;440mm;490mm;540mm.



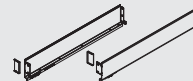
B: SS3900-A

Side wall L/R

Material - cold-rolled steel

Color - Match for set color

Length: 270mm;300mm;350mm;400mm;450mm;500mm;550mm.



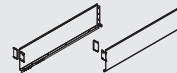
B: SS3900-B

Side wall L/R

Material - cold-rolled steel

Color - Match for set color

Length: 270mm;300mm;350mm;400mm;450mm;500mm;550mm.



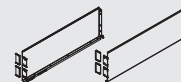
B: SS3900-C

Side wall L/R

Material - cold-rolled steel

Color - Match for set color

Length: 270mm;300mm;350mm;400mm;450mm;500mm;550mm.



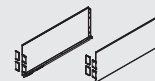
B: SS3900-D

Side wall L/R

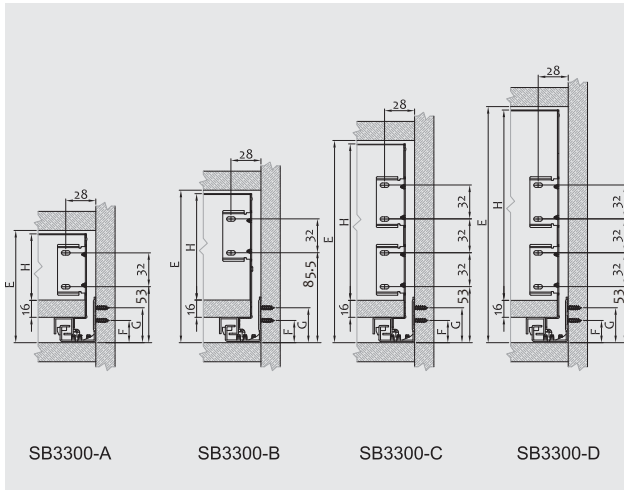
Material - cold-rolled steel

Color - Match for set color

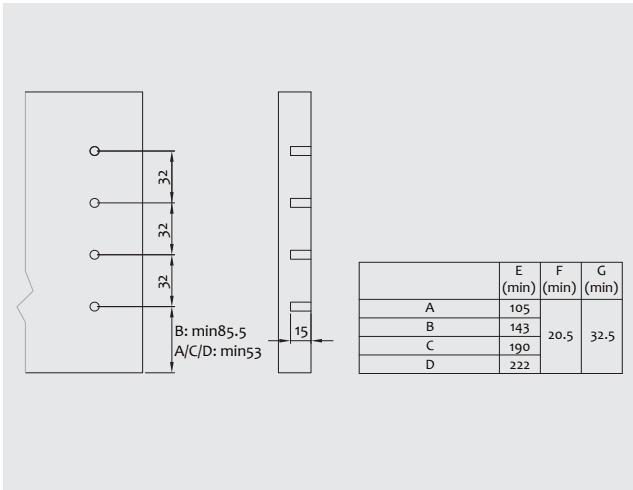
Length: 270mm;300mm;350mm;400mm;450mm;500mm;550mm.



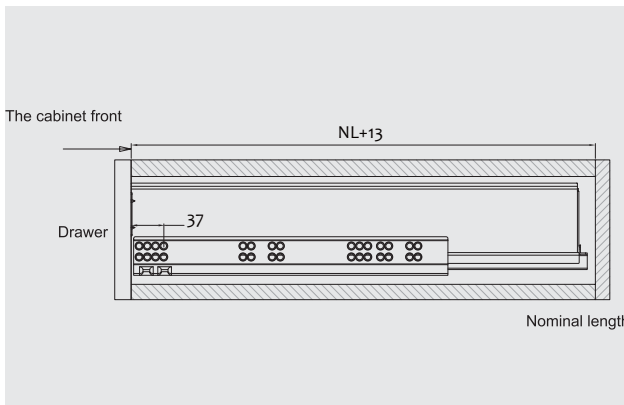
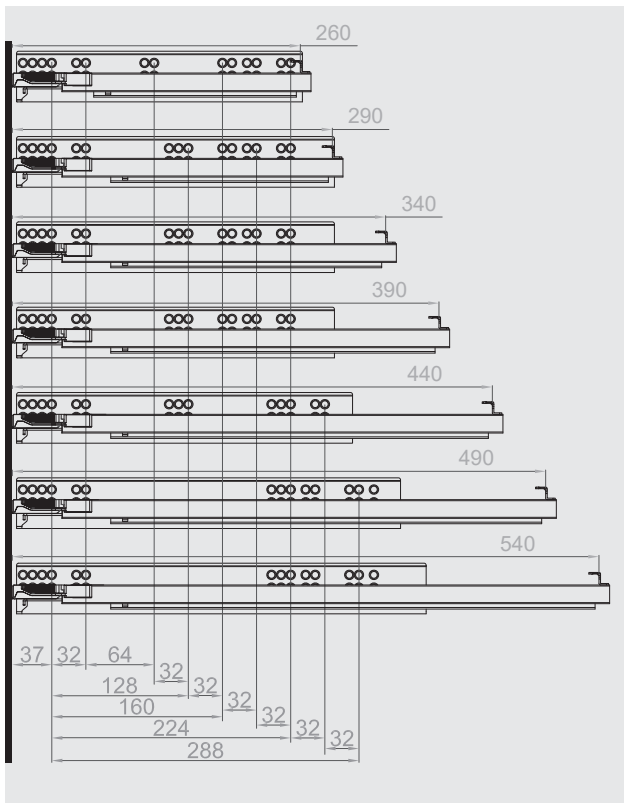
Cabinet space requirements



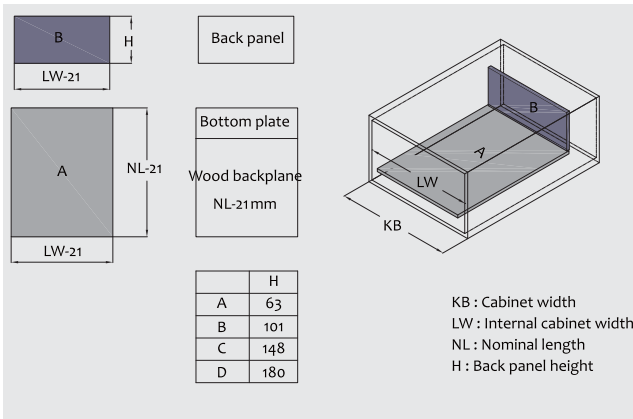
Mounting



Drawer slide installation dimensions



Cutting dimensions for back panel

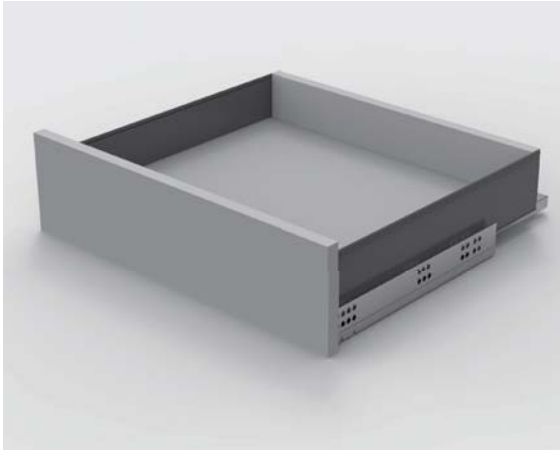


Meatonist Slim Box - B.27

MEATONIST SLIM BOX

SB3303

Concise Box - ultra slim single wall - 2 fold concealed slide



SOFT-CLOSE

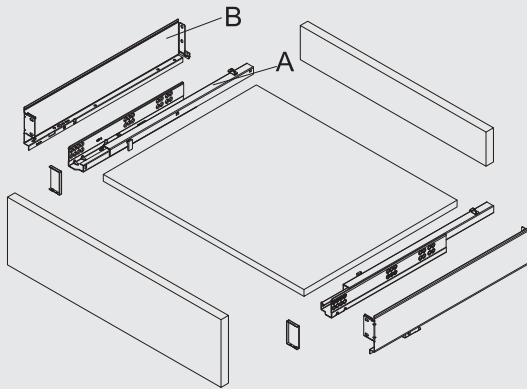
- Heights, 63/101/148/180mm.
- Wide range of depth from 270mm;300mm;350mm;400mm;450mm;500mm.
- 4 regular colors: Black(B), White(W), Dark grey(G), Light grey(O), custom-made colors acceptable.
- Front convenient fine adjustment mechanism integrated. Up & down +2mm.
- Synchronization mechanism of the slides stabilizes the sliding motion and eliminates noises from the living space.

B

Meatonist Slim Box

Product Information

Components view



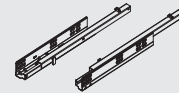
A: DY2246

Drawer slide L/R

Material - SECC

Loading capacity: 25kg

Length: 260mm;290mm;340mm;390mm;440mm;490mm.



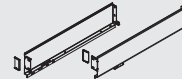
B: SS3903-A

Side wall L/R

Material - cold-rolled steel

Color - Match for set color

Length: 270mm;300mm;350mm;400mm;450mm;500mm.



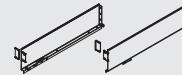
B: SS3903-B

Side wall L/R

Material - cold-rolled steel

Color - Match for set color

Length: 270mm;300mm;350mm;400mm;450mm;500mm.



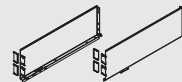
B: SS3903-C

Side wall L/R

Material - cold-rolled steel

Color - Match for set color

Length: 270mm;300mm;350mm;400mm;450mm;500mm.



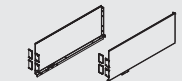
B: SS3903-D

Side wall L/R

Material - cold-rolled steel

Color - Match for set color

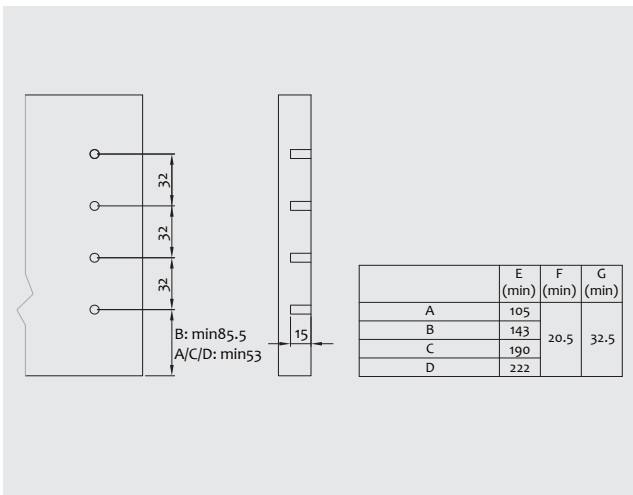
Length: 270mm;300mm;350mm;400mm;450mm;500mm.



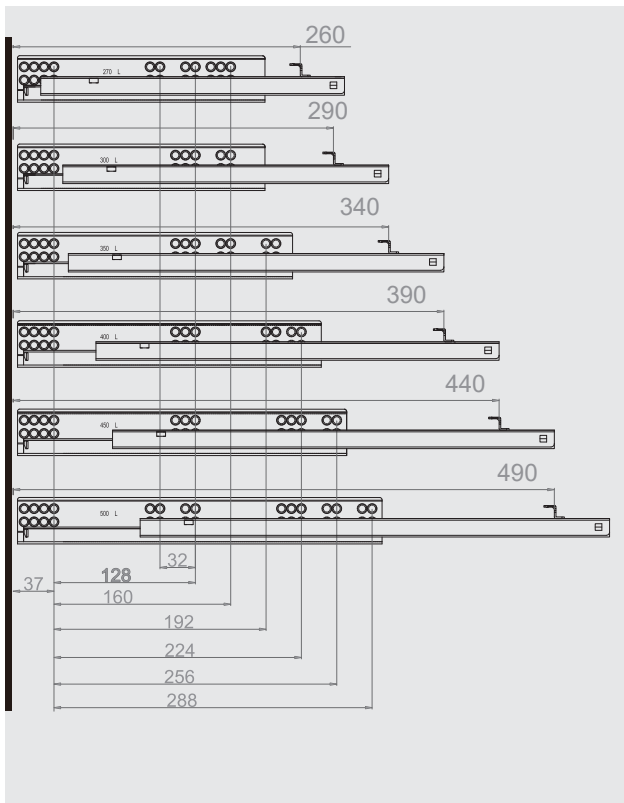
Cabinet space requirements



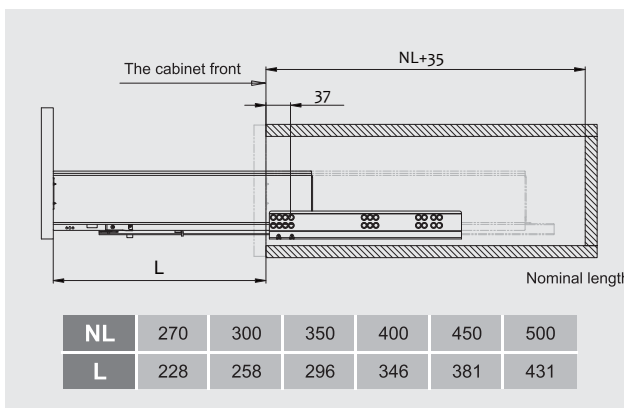
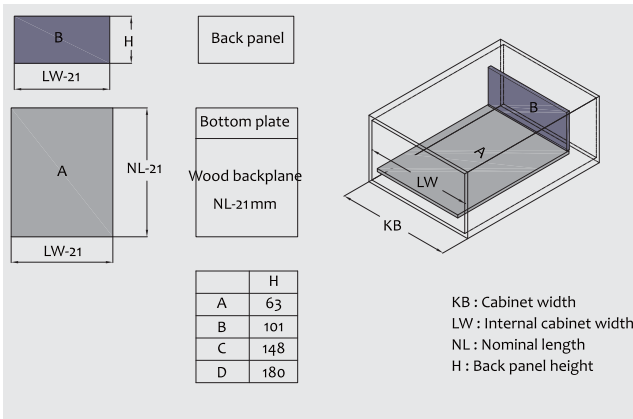
Mounting



Drawer slide installation dimensions



Cutting dimensions for back panel



Meatonist Slim Box - B.29

B

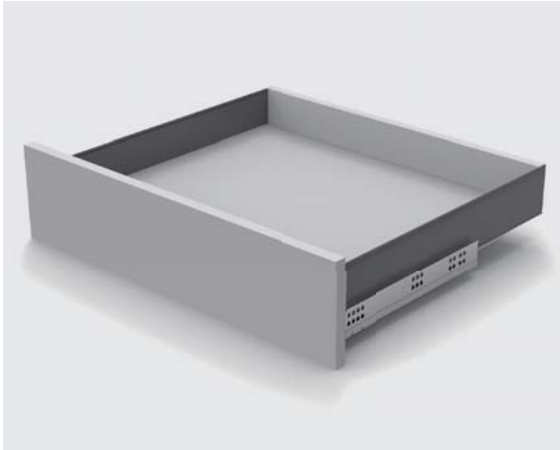
Meatonist Slim Box

MEATONIST SLIM BOX

SB3304



Concise Box - ultra slim single wall - 2 fold concealed slide with handle



SOFT-CLOSE

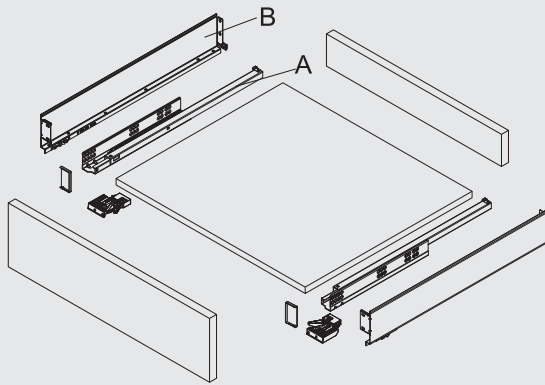
- Heights, 63/101/148/180mm.
- Wide range of depth from 270mm;300mm;350mm;400mm;450mm;500mm;550mm.
- 4 regular colors: Black(B), White(W), Dark grey(G), Light grey(O), custom-made colors acceptable.
- Front convenient fine adjustment mechanism integrated. Up & down ± 1.5 mm, left & right ± 1.5 mm.
- Synchronization mechanism of the slides stabilizes the sliding motion and eliminates noises from the living space.

B

Meatonist Slim Box

Product Information

Components view



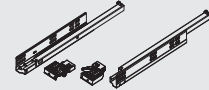
A: DY2331

Drawer slide L/R

Material - SECC

Loading capacity: 25kg

Length: 270mm;300mm;350mm;400mm;450mm;500mm;550mm.



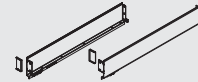
B: SS3904-A

Side wall L/R

Material - cold-rolled steel

Color - Match for set color

Length: 270mm;300mm;350mm;400mm;450mm;500mm;550mm.



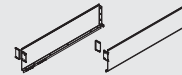
B: SS3904-B

Side wall L/R

Material - cold-rolled steel

Color - Match for set color

Length: 270mm;300mm;350mm;400mm;450mm;500mm;550mm.



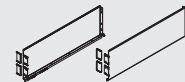
B: SS3904-C

Side wall L/R

Material - cold-rolled steel

Color - Match for set color

Length: 270mm;300mm;350mm;400mm;450mm;500mm;550mm.



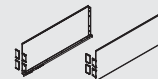
B: SS3904-D

Side wall L/R

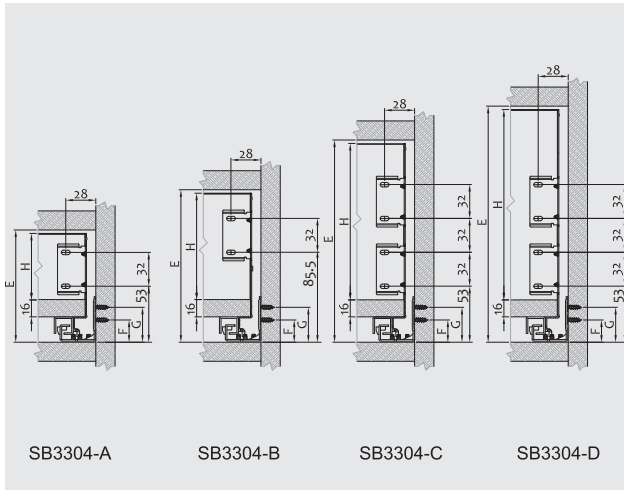
Material - cold-rolled steel

Color - Match for set color

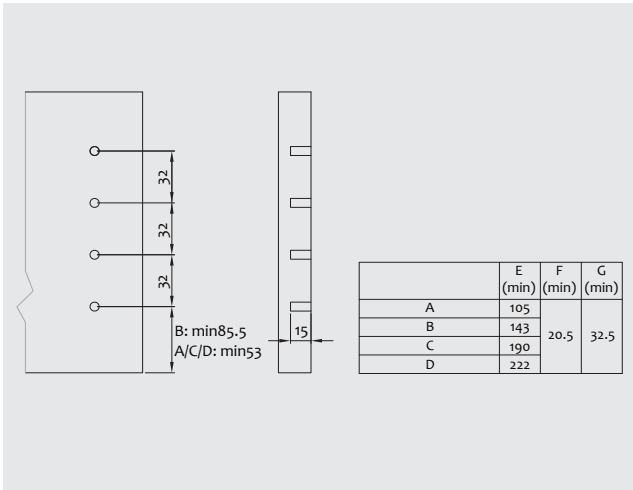
Length: 270mm;300mm;350mm;400mm;450mm;500mm;550mm.



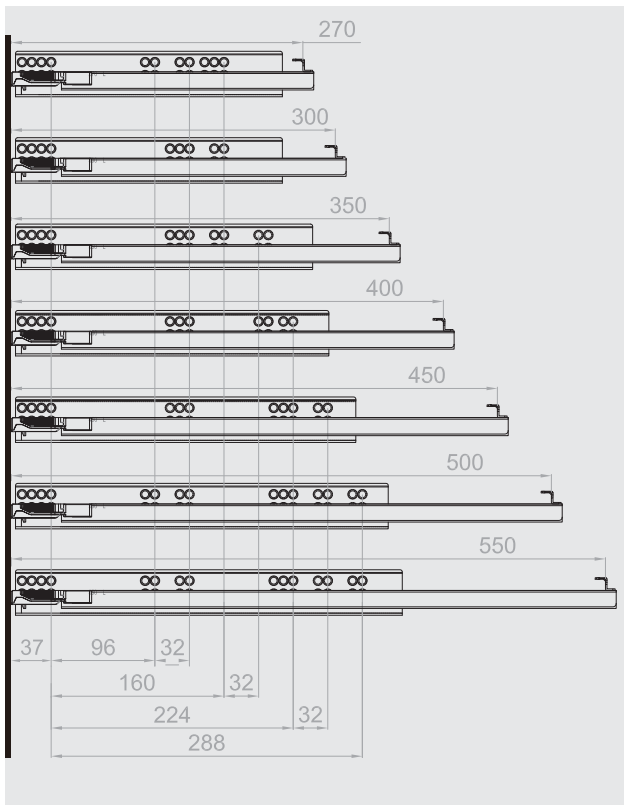
Cabinet space requirements



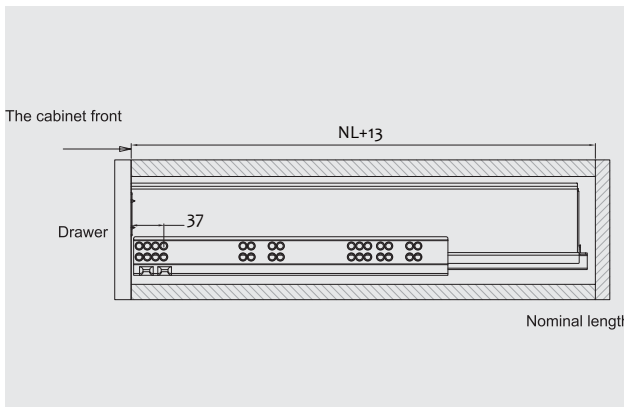
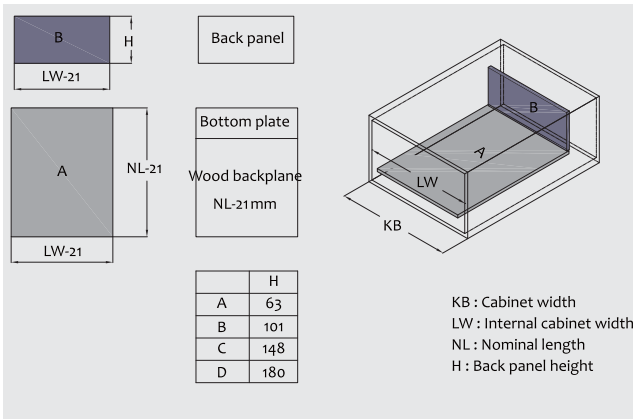
Mounting



Drawer slide installation dimensions



Cutting dimensions for back panel



Meatonist Slim Box - B.31

B

Meatonist Slim Box

MEATONIST SLIM BOX

SB3100

Concise Box - ultra slim single wall - 3 fold synchronized concealed slide with handle



Soft-close

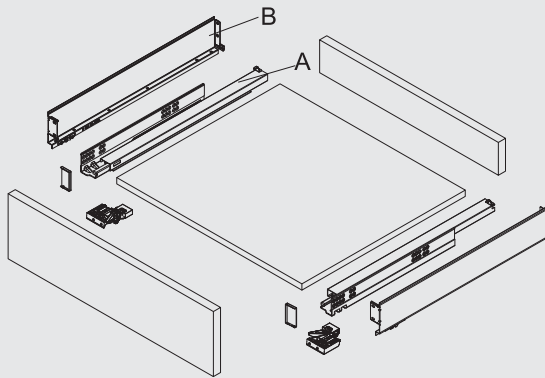
- Heights, 63/101/148/180mm.
- Wide range of depth from 270mm;300mm;350mm;400mm;450mm;500mm;550mm.
- 4 regular colors: Black(B), White(W), Dark grey(G), Light grey(O), custom-made colors acceptable.
- Front convenient fine adjustment mechanism integrated. Up & down ± 1.5 mm, left & right ± 1.5 mm.
- Synchronization mechanism of the slides stabilizes the sliding motion and eliminates noises from the living space.

B

Meatonist Slim Box

Product Information

Components view



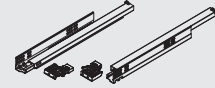
A: DH3341

Drawer slide L/R

Material - SECC

Loading capacity: 30kg

Length: 260mm;290mm;340mm;390mm;440mm;490mm;540mm.



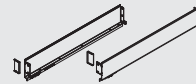
B: SS3900-A

Side wall L/R

Material - cold-rolled steel

Color - Match for set color

Length: 270mm;300mm;350mm;400mm;450mm;500mm;550mm.



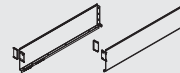
B: SS3900-B

Side wall L/R

Material - cold-rolled steel

Color - Match for set color

Length: 270mm;300mm;350mm;400mm;450mm;500mm;550mm.



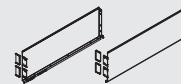
B: SS3900-C

Side wall L/R

Material - cold-rolled steel

Color - Match for set color

Length: 270mm;300mm;350mm;400mm;450mm;500mm;550mm.



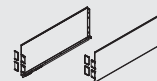
B: SS3900-D

Side wall L/R

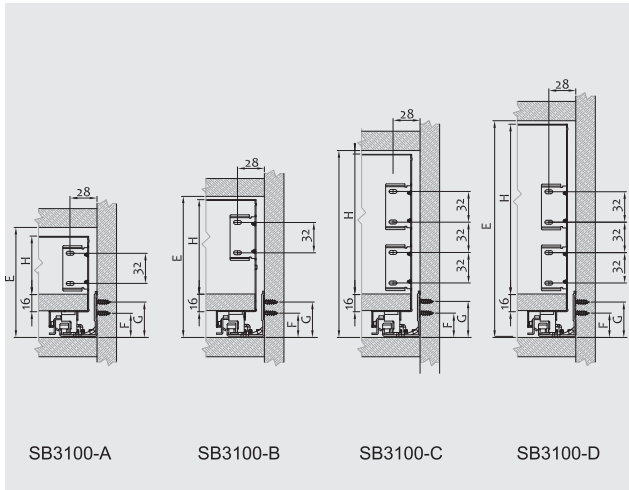
Material - cold-rolled steel

Color - Match for set color

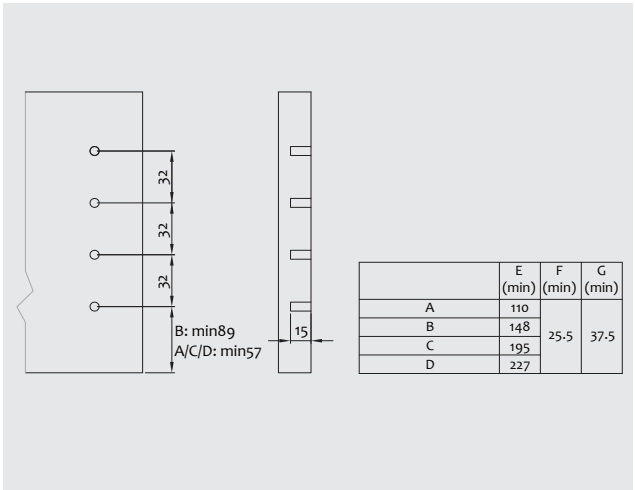
Length: 270mm;300mm;350mm;400mm;450mm;500mm;550mm.



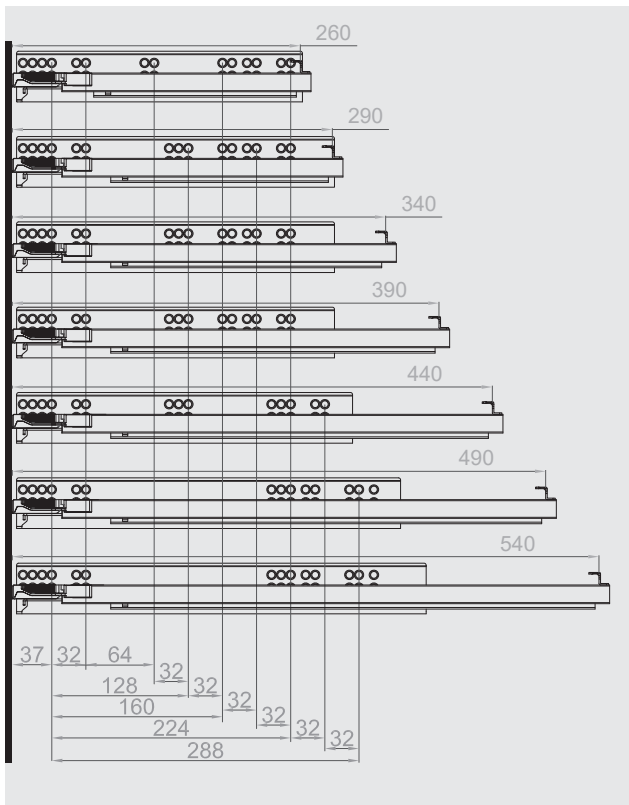
Cabinet space requirements



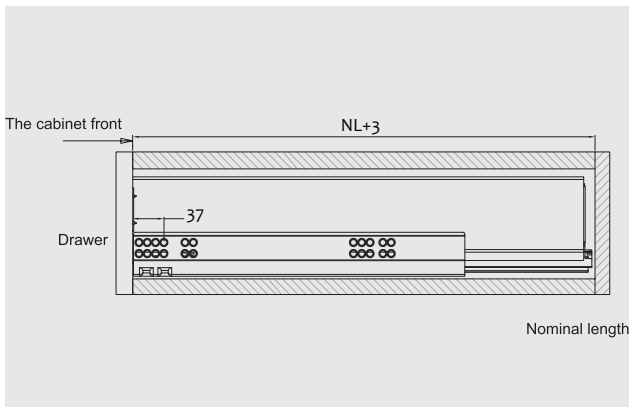
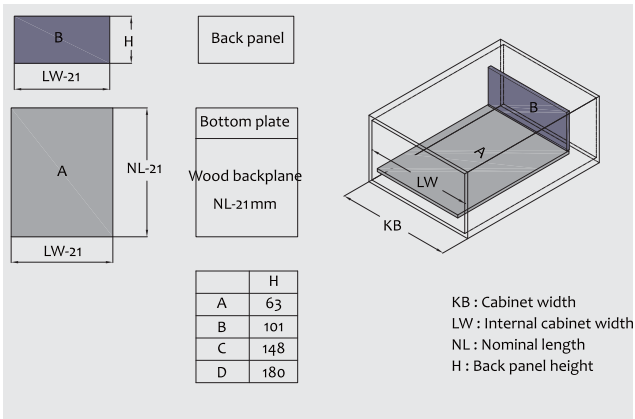
Mounting



Drawer slide installation dimensions



Cutting dimensions for back panel



Meatonist Slim Box - B.33

B

Meatonist Slim Box

MEATONIST SLIM BOX

SB3200

Concise Box - ultra slim single wall - 3 fold concealed slide with handle



B

Meatonist Slim Box

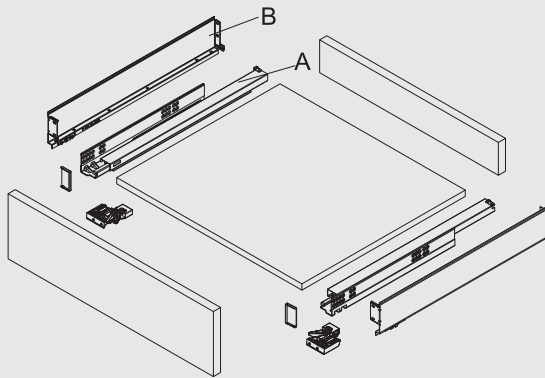


Soft-close

- Heights, 63/101/148/180mm.
- Wide range of depth from 270mm;300mm;350mm;400mm;450mm;500mm;550mm.
- 4 regular colors: Black(B), White(W), Dark grey(G), Light grey(O), custom-made colors acceptable.
- Front convenient fine adjustment mechanism integrated. Up & down ± 1.5 mm, left & right ± 1.5 mm.
- Synchronization mechanism of the slides stabilizes the sliding motion and eliminates noises from the living space.

Product Information

Components view



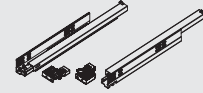
A: DY3341

Drawer slide L/R

Material - SECC

Loading capacity: 30kg

Length: 260mm;290mm;340mm;390mm;440mm;490mm;540mm.



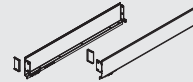
B: SS3900-A

Side wall L/R

Material - cold-rolled steel

Color - Match for set color

Length: 270mm;300mm;350mm;400mm;450mm;500mm;550mm.



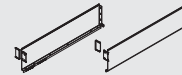
B: SS3900-B

Side wall L/R

Material - cold-rolled steel

Color - Match for set color

Length: 270mm;300mm;350mm;400mm;450mm;500mm;550mm.



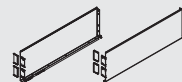
B: SS3900-C

Side wall L/R

Material - cold-rolled steel

Color - Match for set color

Length: 270mm;300mm;350mm;400mm;450mm;500mm;550mm.



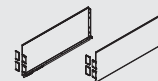
B: SS3900-D

Side wall L/R

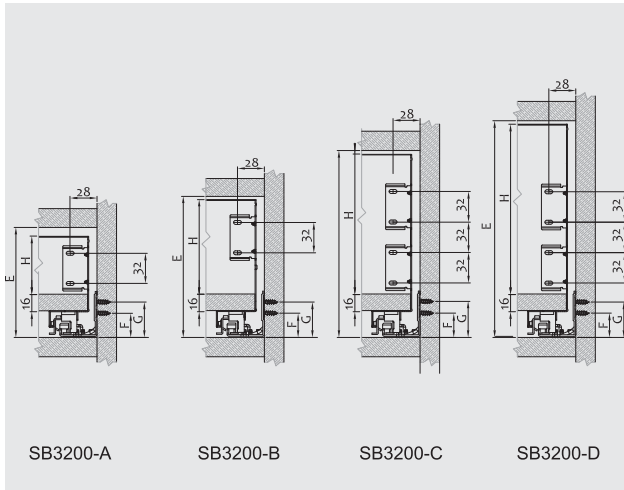
Material - cold-rolled steel

Color - Match for set color

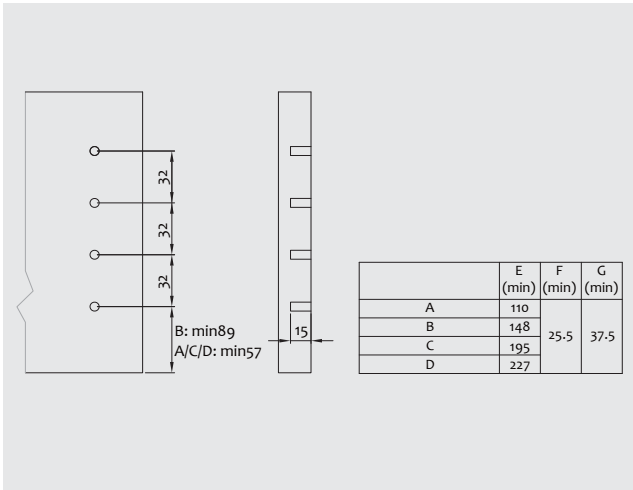
Length: 270mm;300mm;350mm;400mm;450mm;500mm;550mm.



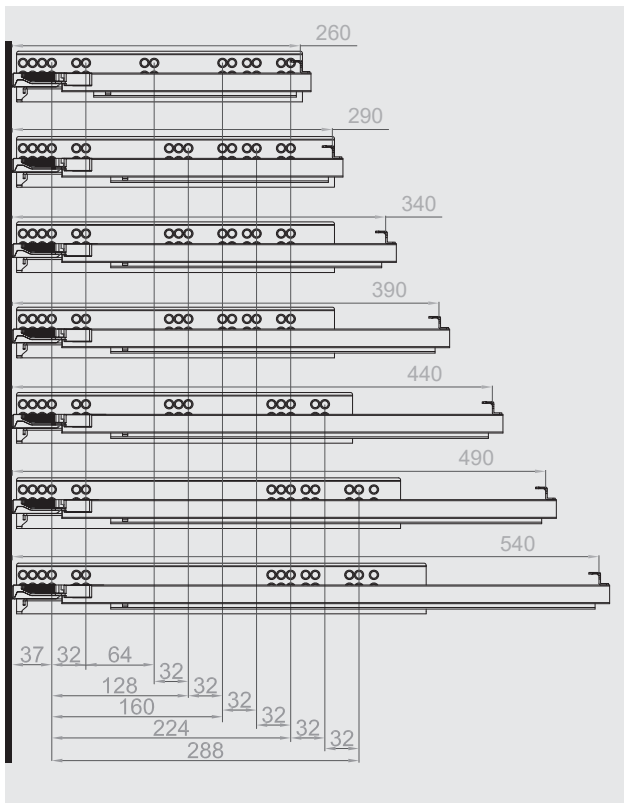
Cabinet space requirements



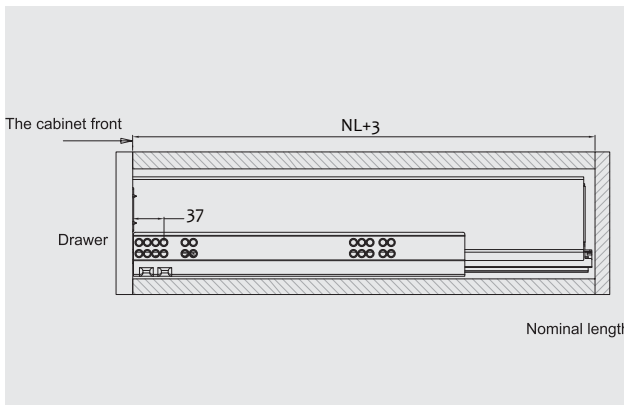
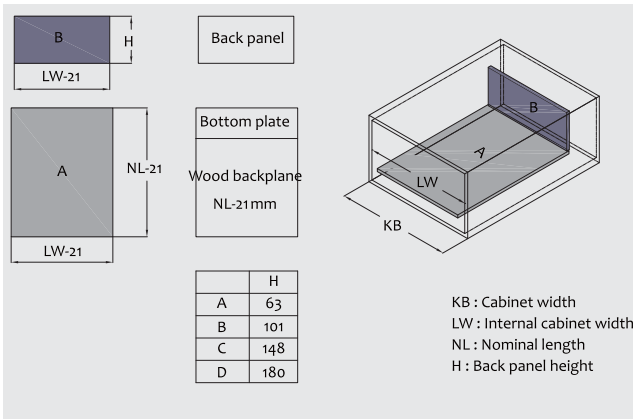
Mounting



Drawer slide installation dimensions



Cutting dimensions for back panel



MEATONIST SLIM BOX

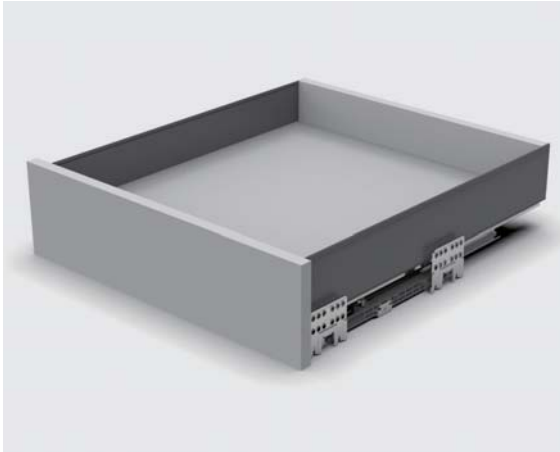
SB3900

Concise Box - ultra slim single wall with tandem slide



B

Meatonist Slim Box

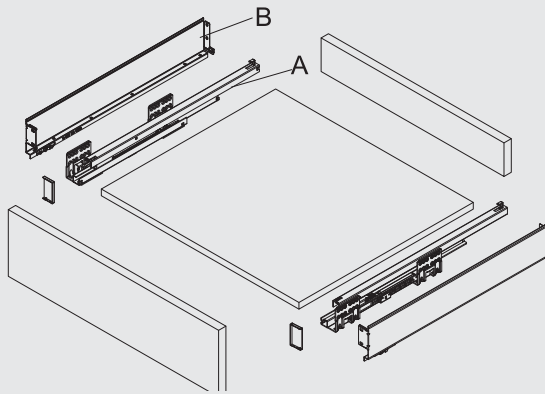


Soft-close

- Heights, 63/101/148/180mm.
- Wide range of depth from 270mm;300mm;350mm;400mm;450mm;500mm;550mm.
- 4 regular colors: Black(B), White(W), Dark grey(G), Light grey(O), custom-made colors acceptable.
- Front convenient fine adjustment mechanism integrated. Up & down ± 1.5 mm, left & right ± 1.5 mm.
- Synchronization mechanism of the slides stabilizes the sliding motion and eliminates noises from the living space.

Product Information

Components view



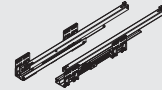
A: SS2900-S

Drawer slide L/R

Material - SECC

Loading capacity: 40kg

Length: 270mm;300mm;350mm;400mm;450mm;500mm;550mm.



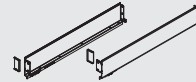
B: SS3900-A

Side wall L/R

Material - cold-rolled steel

Color - Match for set color

Length: 270mm;300mm;350mm;400mm;450mm;500mm;550mm.



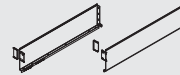
B: SS3900-B

Side wall L/R

Material - cold-rolled steel

Color - Match for set color

Length: 270mm;300mm;350mm;400mm;450mm;500mm;550mm.



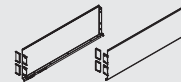
B: SS3900-C

Side wall L/R

Material - cold-rolled steel

Color - Match for set color

Length: 270mm;300mm;350mm;400mm;450mm;500mm;550mm.



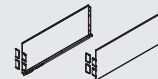
B: SS3900-D

Side wall L/R

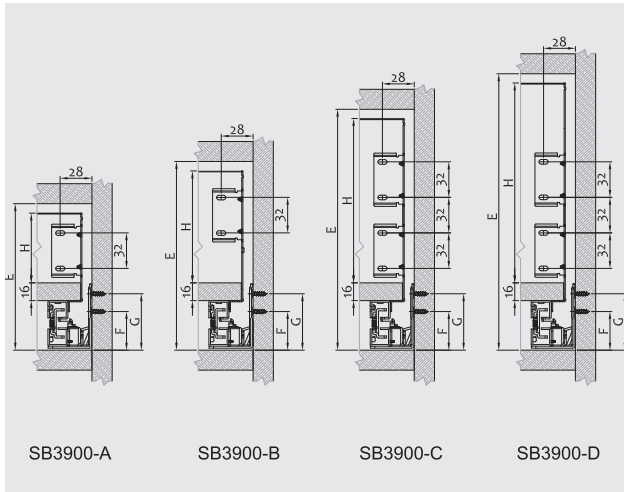
Material - cold-rolled steel

Color - Match for set color

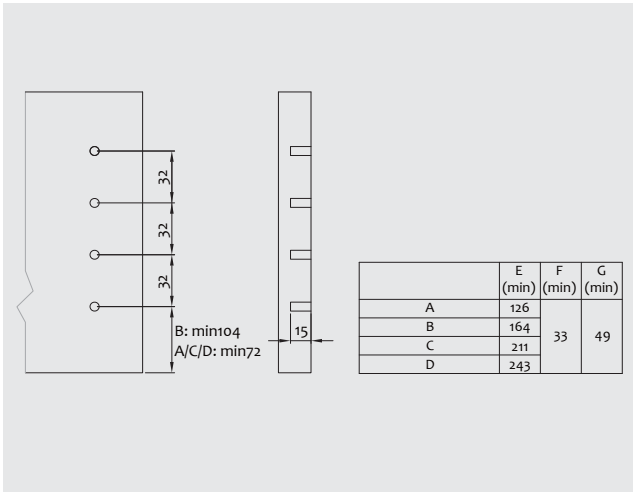
Length: 270mm;300mm;350mm;400mm;450mm;500mm;550mm.



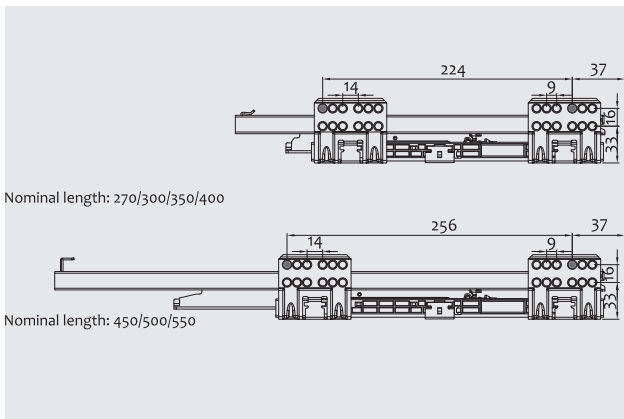
Cabinet space requirements



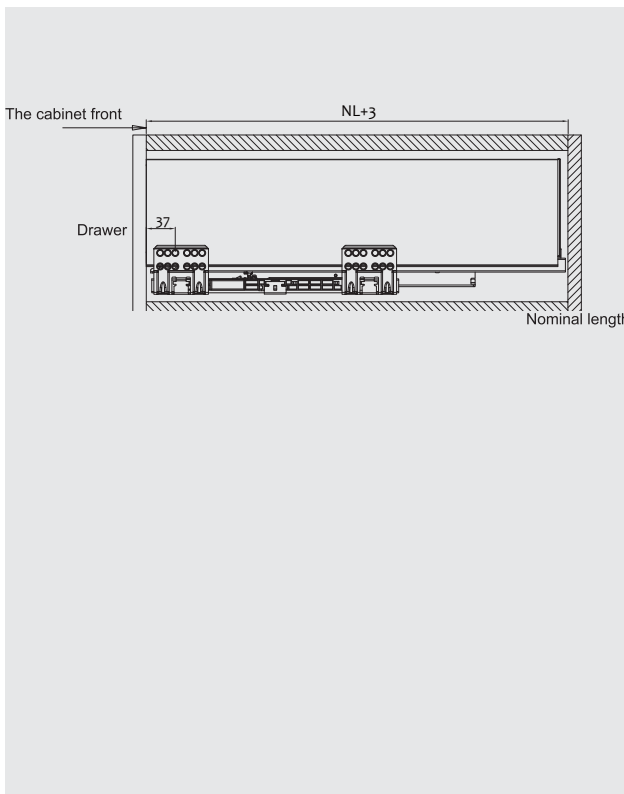
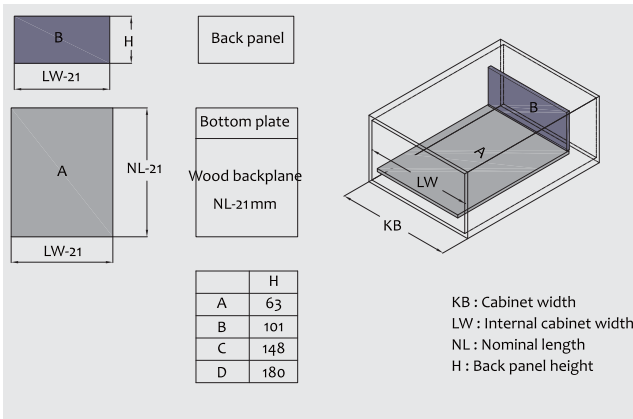
Mounting



Drawer slide installation dimensions



Cutting dimensions for back panel



Meatonist Slim Box - B.37

B

Meatonist Slim Box

MEATONIST SLIM BOX

SB5100

Artistic Box- two slides glass wall - 3 fold concealed slide with handle



Soft-close

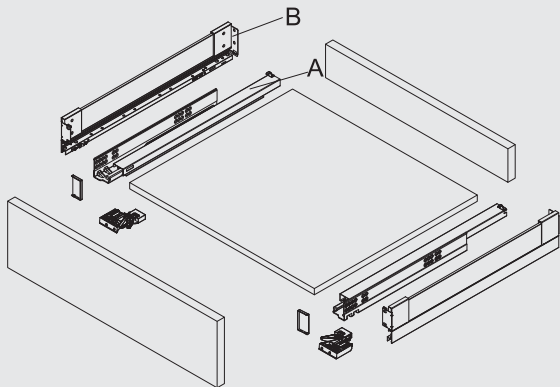
- Heights, 63/101/148/180mm.
- Wide range of depth from 270mm;300mm;350mm;400mm;450mm;500mm;550mm.
- 4 regular colors: Black(B), White(W), Dark grey(G), Light grey(O), custom-made colors acceptable.
- Front convenient fine adjustment mechanism integrated. Up & down ± 1.5 mm, left & right ± 1.5 mm.
- Synchronization mechanism of the slides stabilizes the sliding motion and eliminates noises from the living space.

B

Meatonist Slim Box

Product Information

Components view



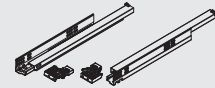
A: DH3341

Drawer slide L/R

Material - SECC

Loading capacity: 30kg

Length: 260mm;290mm;340mm;390mm;440mm;490mm;540mm.



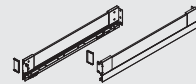
B: SS5900-A

Side wall L/R

Material - cold-rolled steel

Color - Match for set color

Length: 270mm;300mm;350mm;400mm;450mm;500mm;550mm.



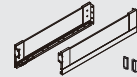
B: SS5900-B

Side wall L/R

Material - cold-rolled steel

Color - Match for set color

Length: 270mm;300mm;350mm;400mm;450mm;500mm;550mm.



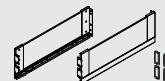
B: SS5900-C

Side wall L/R

Material - cold-rolled steel

Color - Match for set color

Length: 270mm;300mm;350mm;400mm;450mm;500mm;550mm.



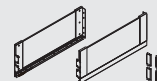
B: SS5900-D

Side wall L/R

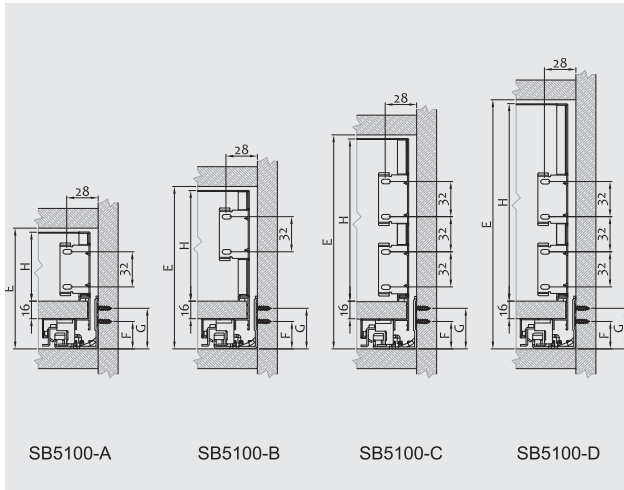
Material - cold-rolled steel

Color - Match for set color

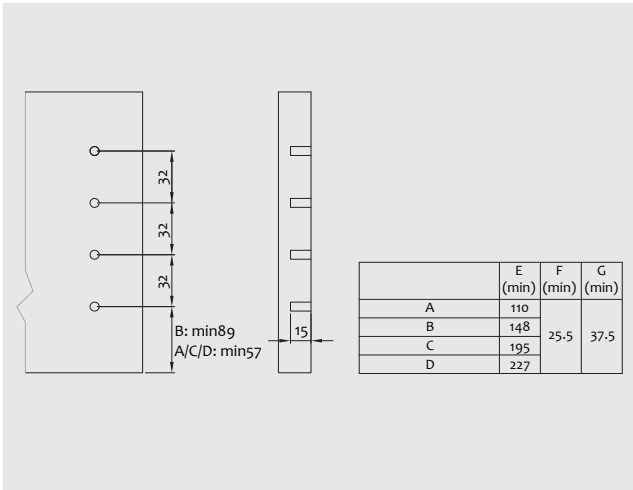
Length: 270mm;300mm;350mm;400mm;450mm;500mm;550mm.



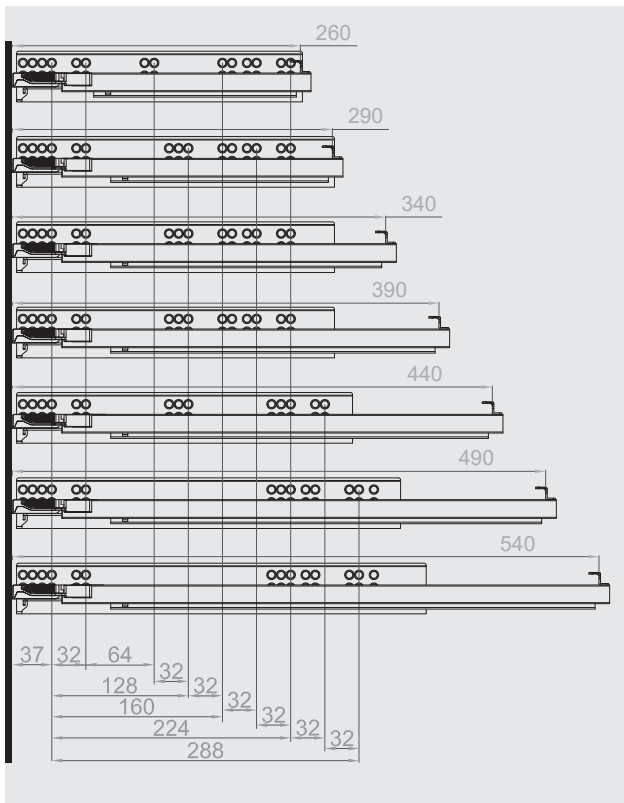
Cabinet space requirements



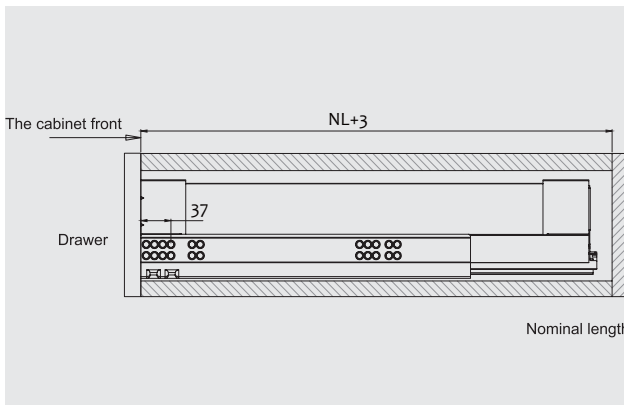
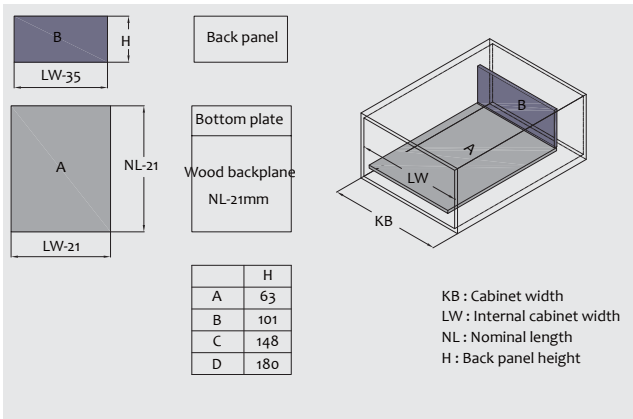
Mounting



Drawer slide installation dimensions



Cutting dimensions for back panel



MEATONIST SLIM BOX

SB5200

Artistic Box- two slides glass wall - 3 fold concealed slide with handle



Soft-close

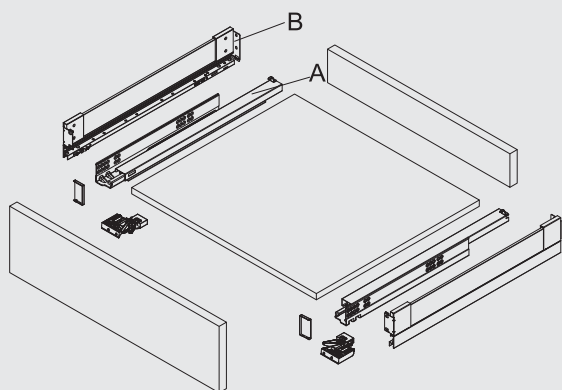
- Heights, 63/101/148/180mm.
- Wide range of depth from 270mm;300mm;350mm;400mm;450mm;500mm;550mm.
- 4 regular colors: Black(B), White(W), Dark grey(G), Light grey(O), custom-made colors acceptable.
- Front convenient fine adjustment mechanism integrated. Up & down ± 1.5 mm, left & right ± 1.5 mm.
- Synchronization mechanism of the slides stabilizes the sliding motion and eliminates noises from the living space.

B

Meatonist Slim Box

Product Information

Components view



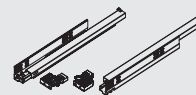
A: DY3341

Drawer slide L/R

Material - SECC

Loading capacity: 30kg

Length: 260mm;290mm;340mm;390mm;440mm;490mm;540mm.



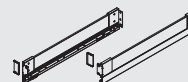
B: SS5900-A

Side wall L/R

Material - cold-rolled steel

Color - Match for set color

Length: 270mm;300mm;350mm;400mm;450mm;500mm;550mm.



B: SS5900-B

Side wall L/R

Material - cold-rolled steel

Color - Match for set color

Length: 270mm;300mm;350mm;400mm;450mm;500mm;550mm.



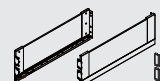
B: SS5900-C

Side wall L/R

Material - cold-rolled steel

Color - Match for set color

Length: 270mm;300mm;350mm;400mm;450mm;500mm;550mm.



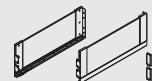
B: SS5900-D

Side wall L/R

Material - cold-rolled steel

Color - Match for set color

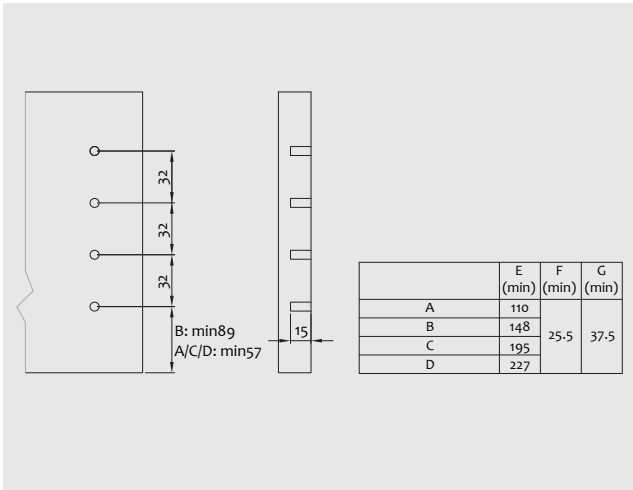
Length: 270mm;300mm;350mm;400mm;450mm;500mm;550mm.



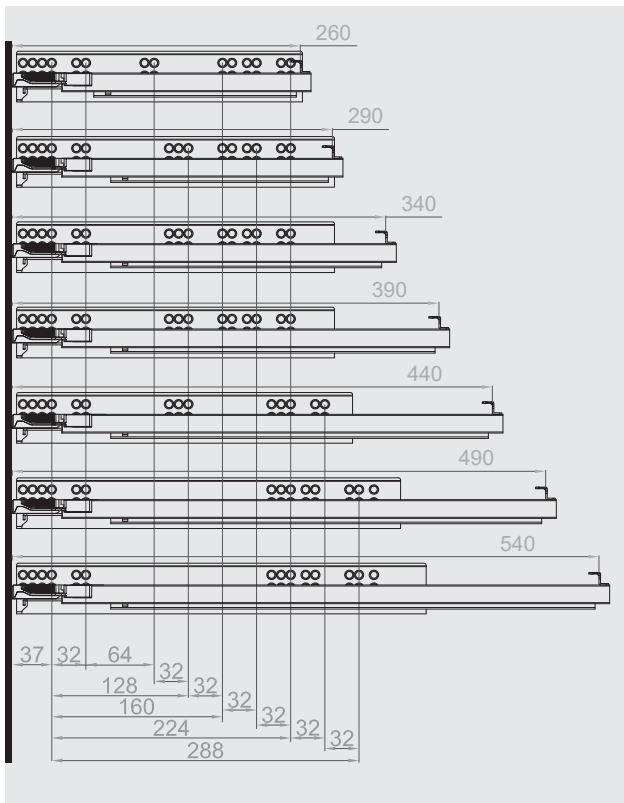
Cabinet space requirements



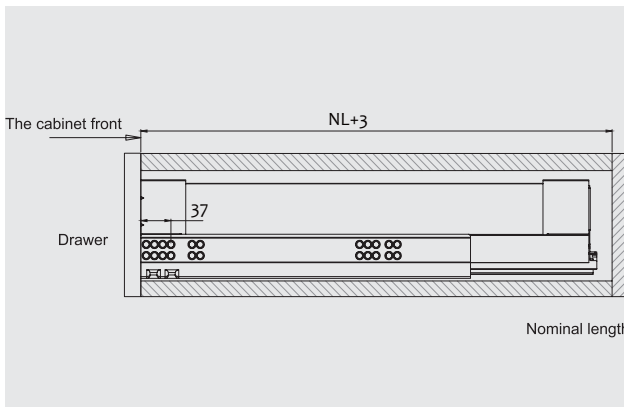
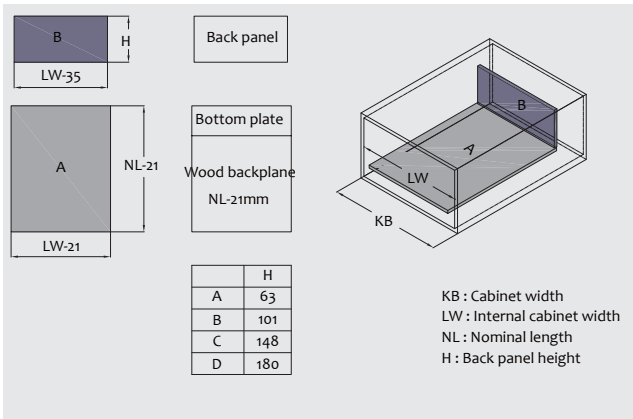
Mounting



Drawer slide installation dimensions



Cutting dimensions for back panel



Meatonist Slim Box - B.41

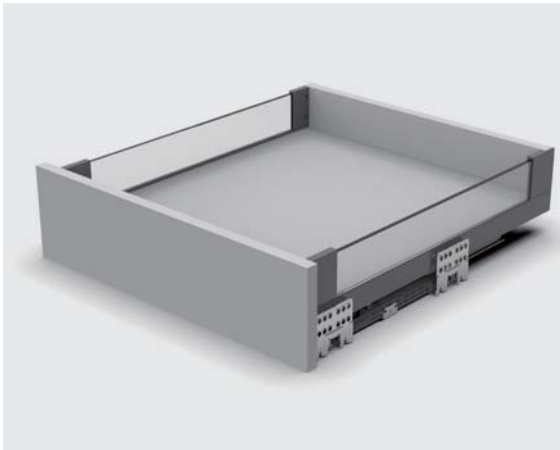
B

Meatonist Slim Box

MEATONIST SLIM BOX

SB5900

Artistic Box- two slides glass wall - with tandem slide

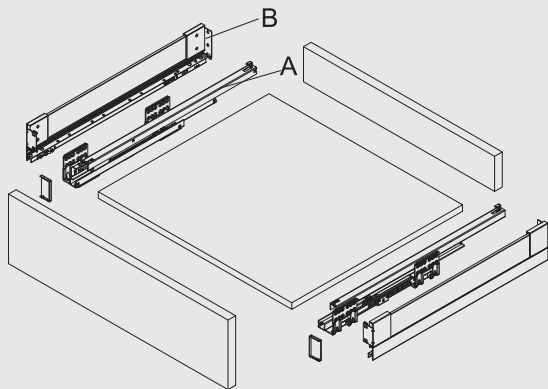


Soft-close

- Heights, 63/101/148/180mm.
- Wide range of depth from 270mm;300mm;350mm;400mm;450mm;500mm;550mm.
- 4 regular colors: Black(B), White(W), Dark grey(G), Light grey(O), custom-made colors acceptable.
- Front convenient fine adjustment mechanism integrated. Up & down ± 1.5 mm, left & right ± 1.5 mm.
- Synchronization mechanism of the slides stabilizes the sliding motion and eliminates noises from the living space.

Product Information

Components view



A: SS2900-S

Drawer slide L/R

Material - SECC

Loading capacity: 40kg

Length: 270mm;300mm;350mm;400mm;450mm;500mm;550mm.



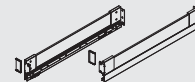
B: SS5900-A

Side wall L/R

Material - cold-rolled steel

Color - Match for set color

Length: 270mm;300mm;350mm;400mm;450mm;500mm;550mm.



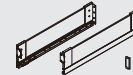
B: SS5900-B

Side wall L/R

Material - cold-rolled steel

Color - Match for set color

Length: 270mm;300mm;350mm;400mm;450mm;500mm;550mm.



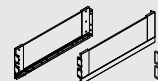
B: SS5900-C

Side wall L/R

Material - cold-rolled steel

Color - Match for set color

Length: 270mm;300mm;350mm;400mm;450mm;500mm;550mm.



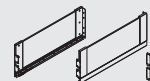
B: SS5900-D

Side wall L/R

Material - cold-rolled steel

Color - Match for set color

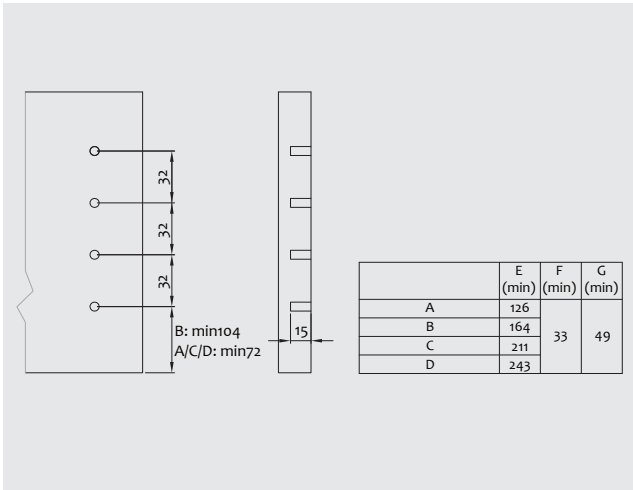
Length: 270mm;300mm;350mm;400mm;450mm;500mm;550mm.



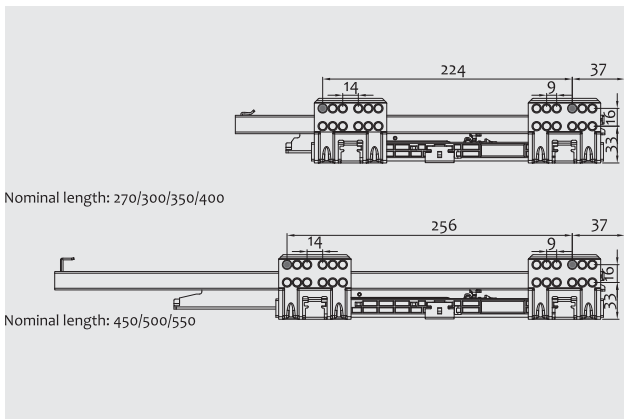
Cabinet space requirements



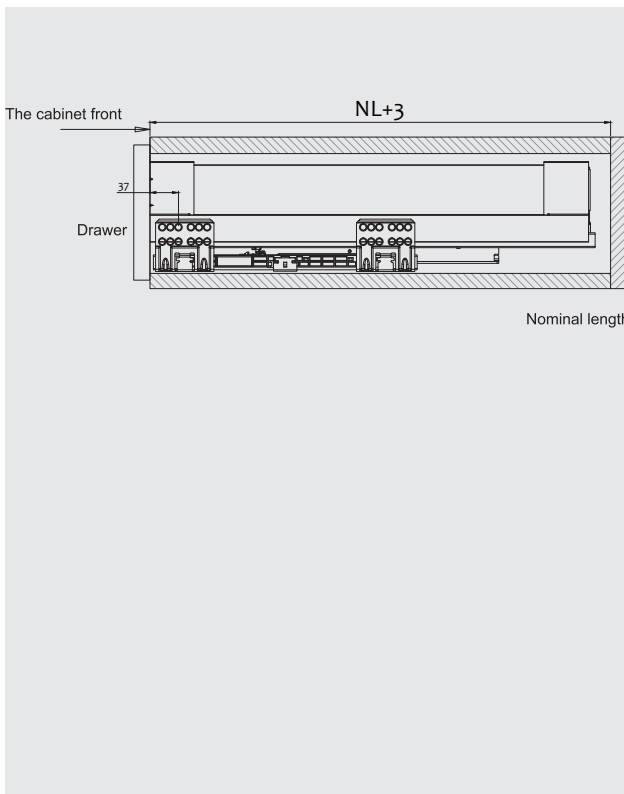
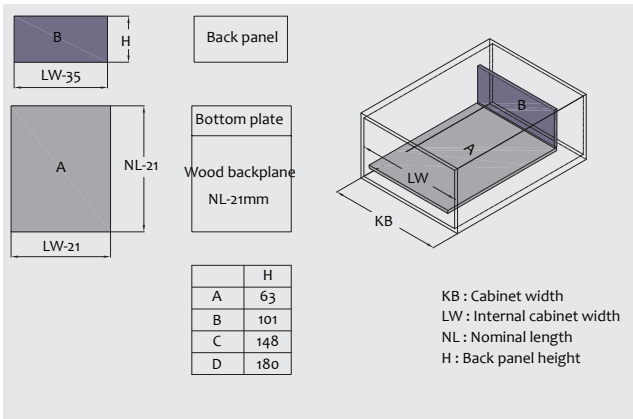
Mounting



Drawer slide installation dimensions



Cutting dimensions for back panel



SOFT-CLOSE & PUSH-OPEN

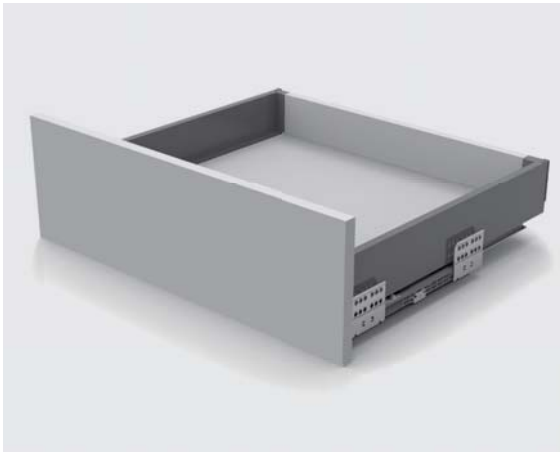
SP1930

Slim Box with tandem slide



B

Soft-Close & Push-Open

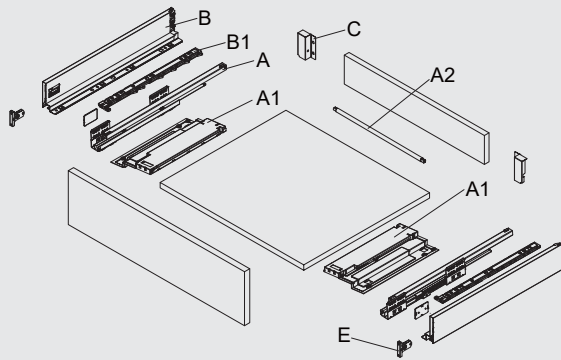


Soft-close & Push-open

- Heights, 86/118/167/199mm.
- Wide range of depth from 270mm;300mm;350mm;400mm;450mm;500mm;550mm.
- 4 regular colors: Black(B), White(W), Dark grey(G), Light grey(O), custom-made colors acceptable.
- Front convenient fine adjustment mechanism integrated. Up & down ± 1.5 mm, left & right ± 1.5 mm.
- Synchronization mechanism of the slides stabilizes the sliding motion and eliminates noises from the living space.

Product Information

Components view



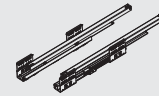
A: SS1900-P30

Drawer slide L/R

Material - SECC

Loading capacity: 40kg

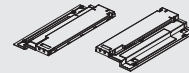
Length: 270mm;300mm;350mm;400mm;450mm;500mm;550mm.



A1: SS1900-P30-19L/R

Rebound component L/R

Material - SECC + plastic

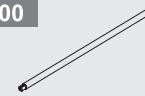


A2: S1P309(2) + S81833-1200

Synchronisation linkage

Material - aluminium + plastic

Automatically cut - the cabinet body width LW-243



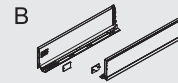
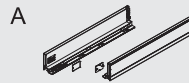
B: SS1930-A/B/C/D

Side wall L/R

Material - cold-rolled steel

Color - Match for set color

Length: 270mm;300mm;350mm;400mm;450mm;500mm;550mm.



B1: SS1900-P31-L/R

Reset component L/R

Material - SECC + plastic

Length: 270mm(300mm);350mm;400mm;450mm;500mm;550mm.



E: SS1900-TA1/TB1/TC1

Front connector

Material - SECC + plastic



SS1900-TA2/TB2/TC2

Clip on front connector

Material - SECC + plastic



SS1900-TA5/TB5/TC5

Clip on front connector

Material - SECC



SS1900-TA6/TB6/TC6

Clip on front connector

Material - SECC + plastic



C: SS1900-L86/L118/L167/L199

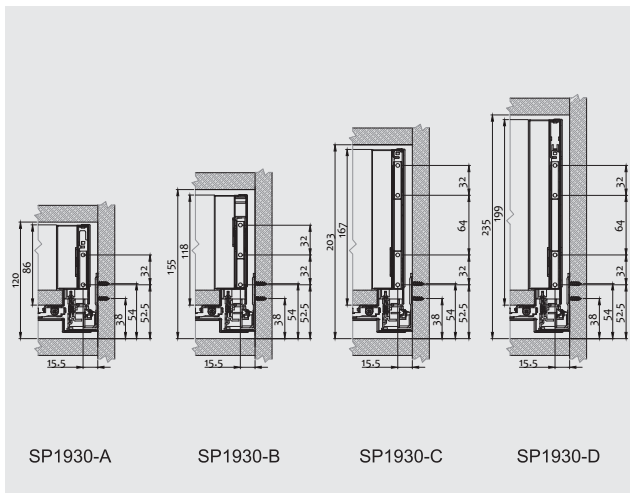
Back panel connector L/R

Material - cold-rolled steel

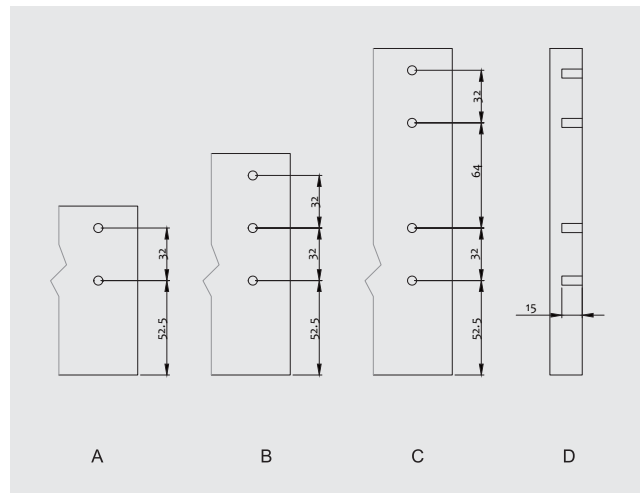
Color - Match for set color



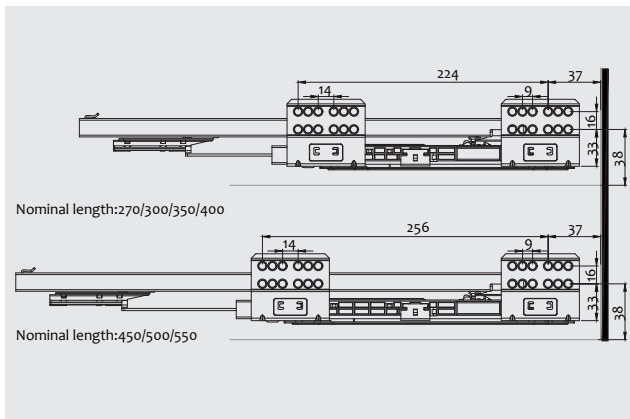
Cabinet space requirements



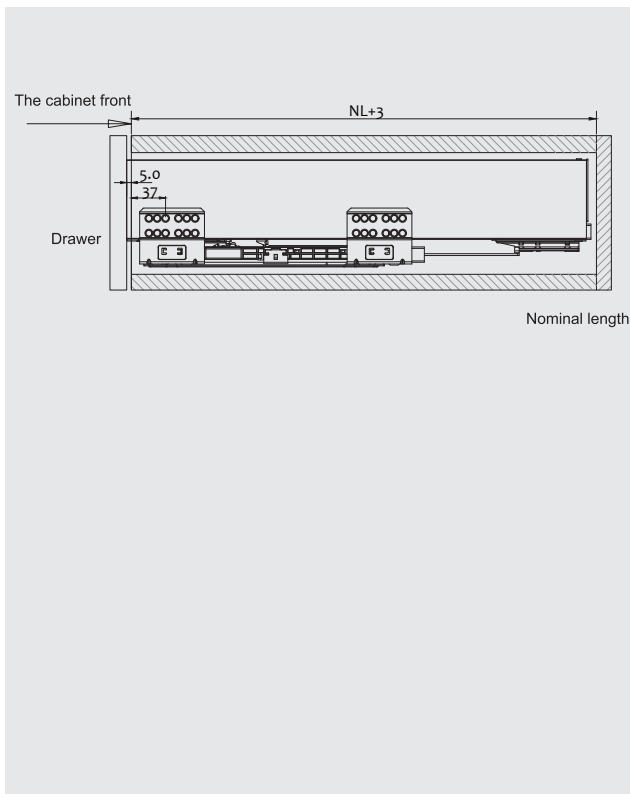
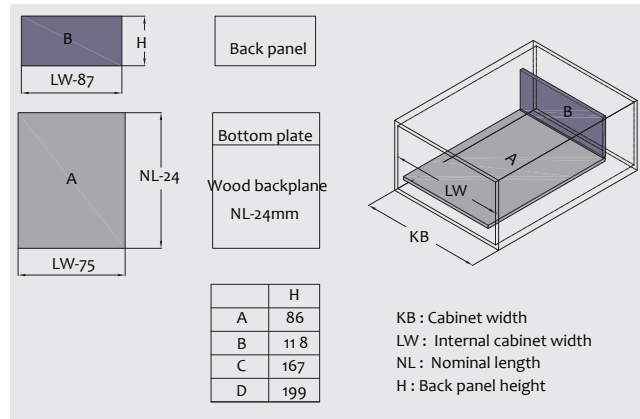
Mounting



Drawer slide installation dimensions



Cutting dimensions for back panel



PUSH OPEN DRAWER SYSTEM

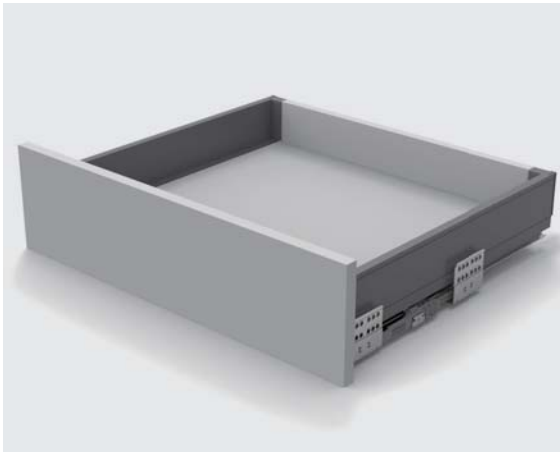
SP1900/ SP1904

Slim Box with tandem slide



B

Push Open Drawer System

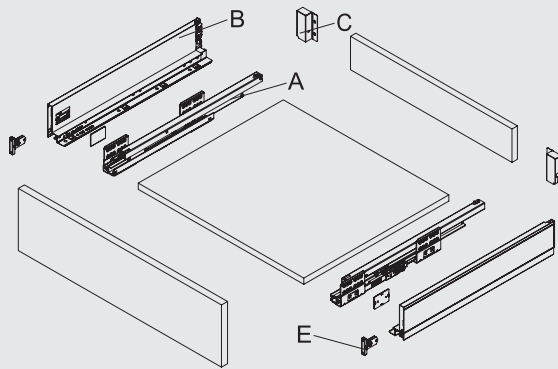


Push-open

- Heights, 86mm/118mm/167mm/199mm.
- Wide range of depth from 270mm;300mm;350mm;400mm;450mm;500mm;550mm.
- 4 regular colors: Black(B), White(W), Dark grey(G), Light grey(O), custom-made colors acceptable.
- Front convenient fine adjustment mechanism integrated. Up & down ± 1.5 mm, left & right ± 1.5 mm.
- Synchronization mechanism of the slides stabilizes the sliding motion and eliminates noises from the living space.

Product Information

Components view



A: SS1801-P00

Drawer slide L/R

Material - SECC

Loading capacity: 40kg

Length: 270mm;300mm;350mm;400mm;450mm;500mm;550mm.



B: SS1900-A/B/C/D

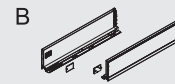
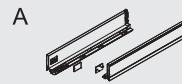
SS1904-A/B/C/D

Side wall L/R

Material - cold-rolled steel

Color - Match for set color

Length: 270mm;300mm;350mm;400mm;450mm;500mm;550mm.



E: SS1900-TA1/TB1/TC1

Front connector

Material - SECC + plastic



SS1900-TA2/TB2/TC2

Clip on front connector

Material - SECC + plastic



SS1900-TA5/TB5/TC5

Clip on front connector

Material - SECC



SS1900-TA6/TB6/TC6

Clip on front connector

Material - SECC + plastic



C: SS1900-L86/L118/L167/L199

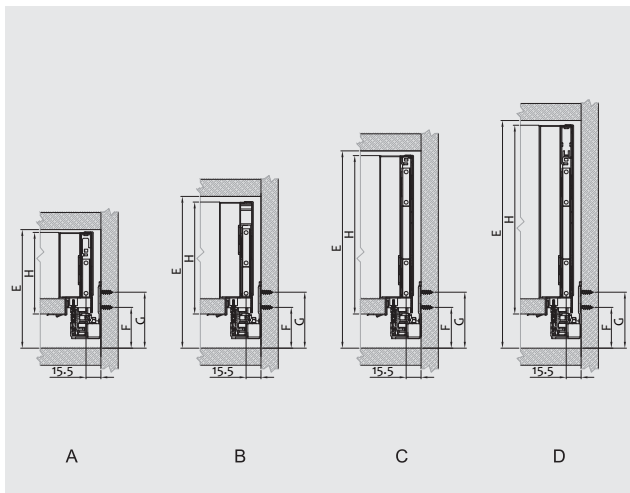
Back panel connector L/R

Material - cold-rolled steel

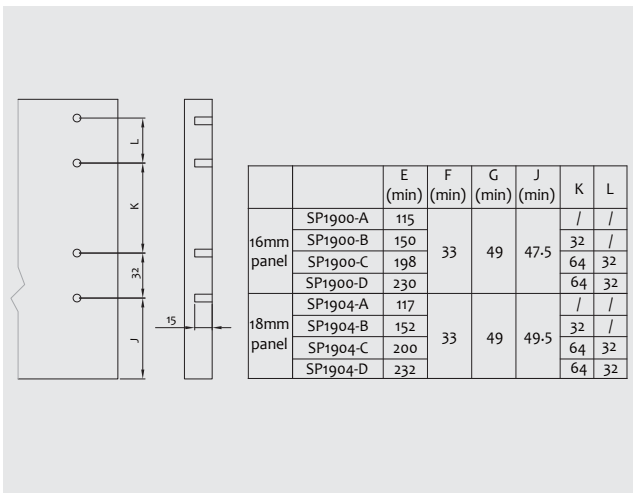
Color - Match for set color



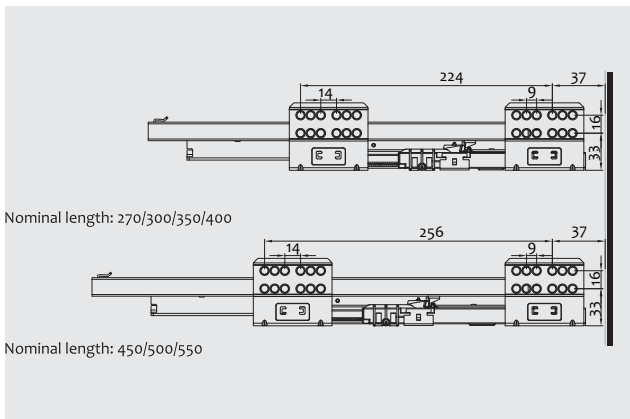
Cabinet space requirements



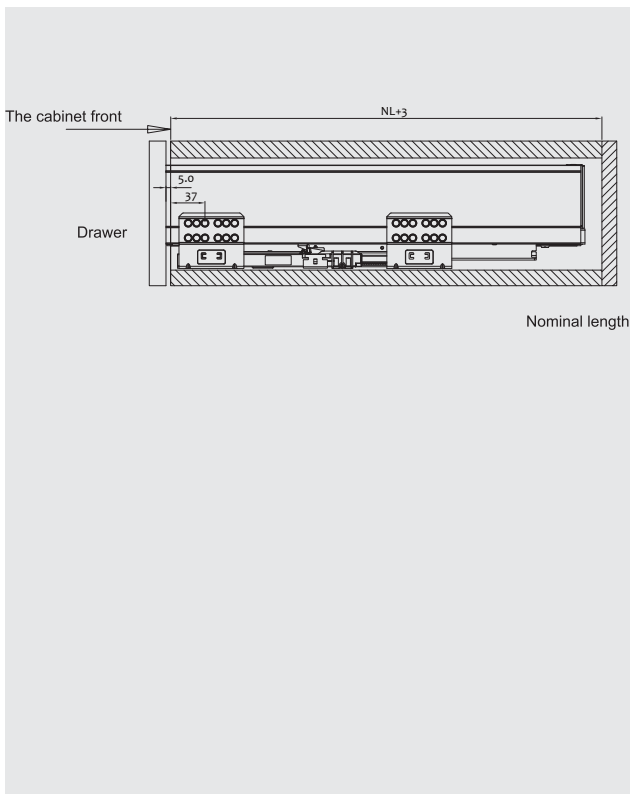
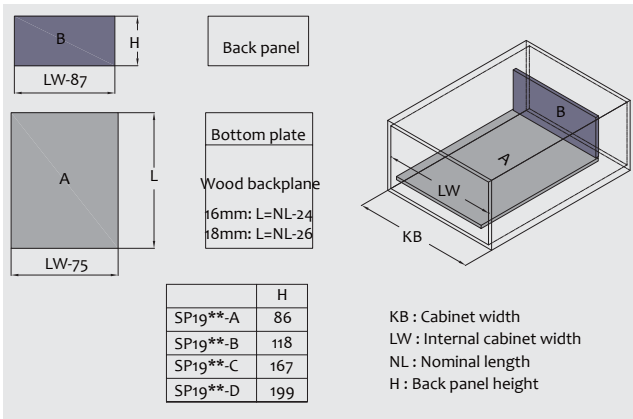
Mounting



Drawer slide installation dimensions



Cutting dimensions for back panel



Push Open Drawer System - B.47

PUSH OPEN DRAWER SYSTEM

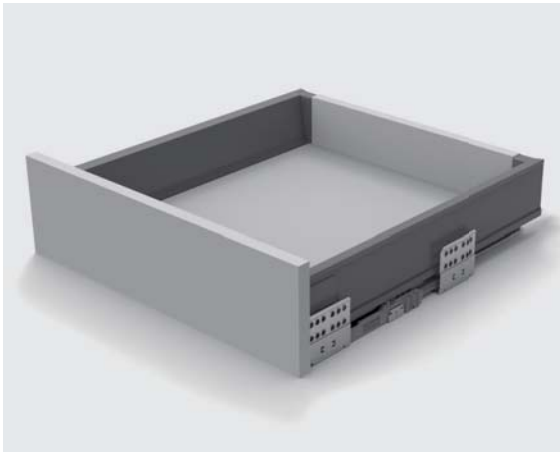
SP1801

Classical Drawer System with tandem slide



B

Push Open Drawer System

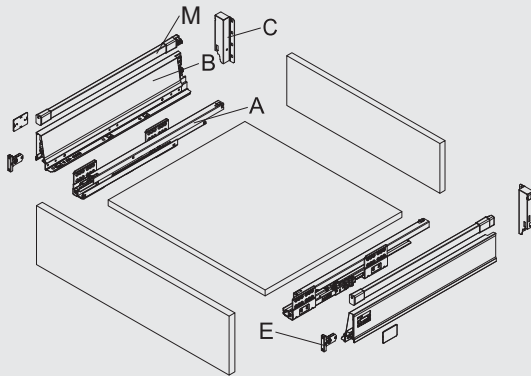


Push-open

- Heights, 84mm/135mm/167mm/199mm.
- Wide range of depth from 270mm;300mm;350mm;400mm;450mm;500mm;550mm.
- 4 regular colors: Black(B), White(W), Dark grey(G), Light grey(O), custom-made colors acceptable.
- Front convenient fine adjustment mechanism integrated. Up & down ± 1.5 mm, left & right ± 1.5 mm.
- Synchronization mechanism of the slides stabilizes the sliding motion and eliminates noises from the living space.

Product Information

Components view



A: SS1801-P00

Drawer slide L/R

Material - SECC

Loading capacity: 40kg

Length: 270mm;300mm;350mm;400mm;450mm;500mm;550mm.



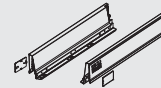
B: SS1801-B

Side wall L/R

Material - cold-rolled steel

Color - Match for set color

Length: 270mm;300mm;350mm;400mm;450mm;500mm;550mm.



C: SS1800-L86/L135/L167/L199

Back panel connector L/R

Material - cold-rolled steel

Color - Match for set color

L86



L135



L167



L199



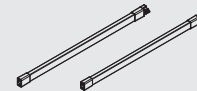
M: SS1801-12

Side square railings

Material - aluminium + plastic

Color - Match for set color

Length: 270mm;300mm;350mm;400mm;450mm;500mm;550mm.



E: SS1900-TA1

Front connector

Material - SECC + plastic



SS1900-TA2

Clip on front connector

Material - SECC + plastic



SS1900-TA5

Clip on front connector

Material - SECC



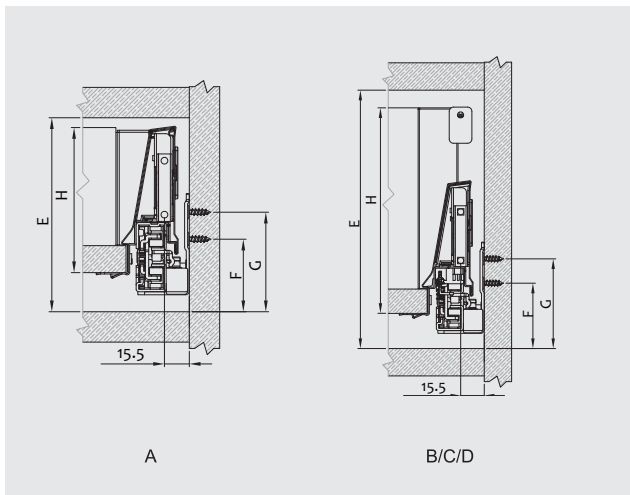
SS1900-TA6

Clip on front connector

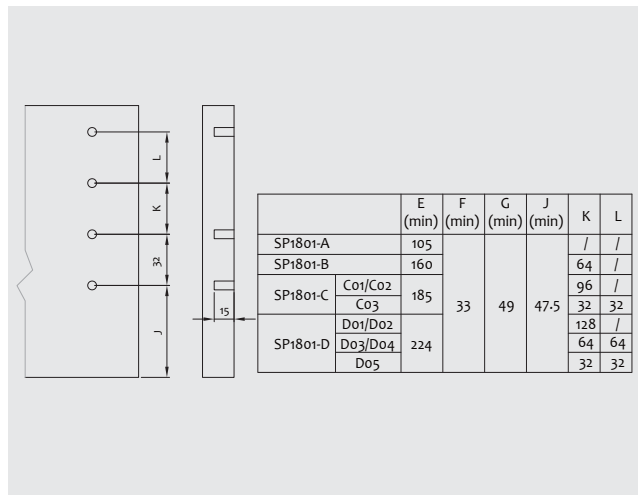
Material - SECC + plastic



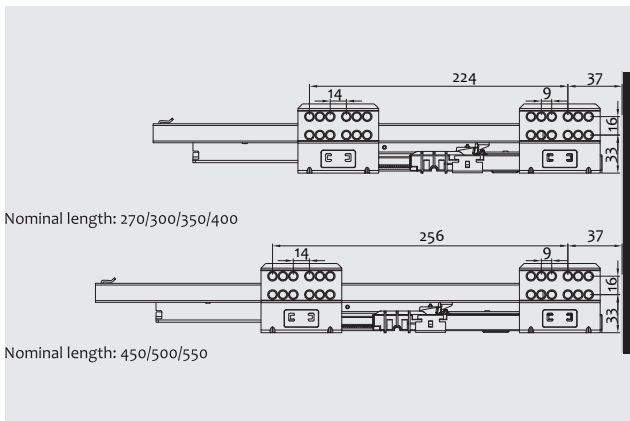
Cabinet space requirements



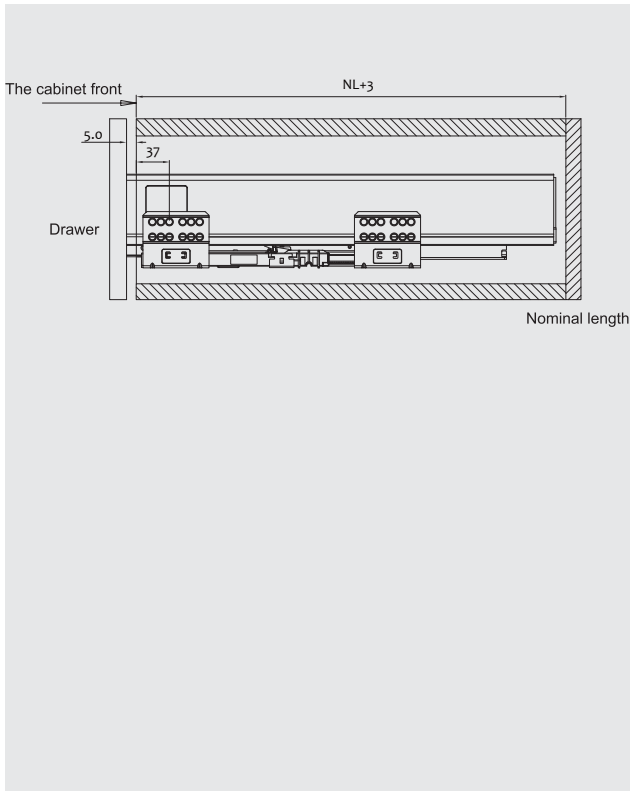
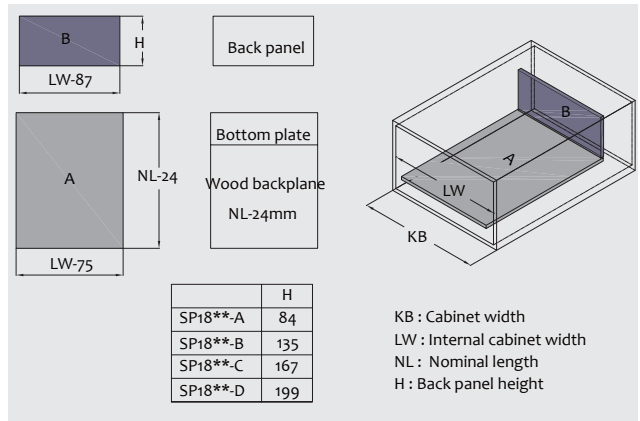
Mounting



Drawer slide installation dimensions



Cutting dimensions for back panel



PUSH OPEN DRAWER SYSTEM

SP0101

Meatonist Slim Box with tilt adjustment - 3 fold synchronized concealed slide



Push-open

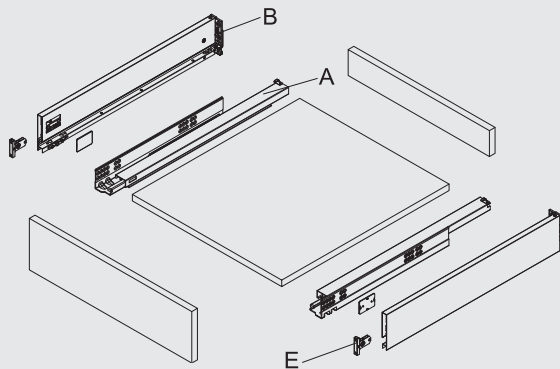
- Heights, 63/101/148/180mm.
- Wide range of depth from 270mm;300mm;350mm;400mm;450mm;500mm;550mm.
- 4 regular colors: Black(B), White(W), Dark grey(G), Light grey(O), custom-made colors acceptable.
- Front convenient fine adjustment mechanism integrated. Up & down ± 1.5 mm, left & right ± 1.5 mm.
- Synchronization mechanism of the slides stabilizes the sliding motion and eliminates noises from the living space.

B

Push Open Drawer System

Product Information

Components view



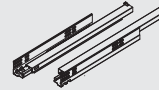
A: DT3322

Drawer slide L/R

Material - SECC

Loading capacity: 30kg

Length: 260mm;290mm;340mm;390mm;440mm;490mm;540mm.



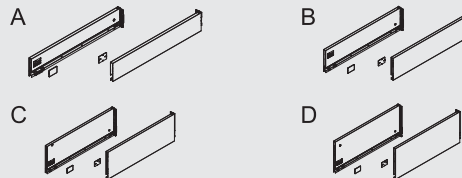
B: SS2901-A/B/C/D

Side wall L/R

Material - cold-rolled steel

Color - Match for set color

Length: 270mm;300mm;350mm;400mm;450mm;500mm;550mm.



E: SS1900-TA1/TB1/TC1

Front connector

Material - SECC + plastic



SS1900-TA2/TB2/TC2

Clip on front connector

Material - SECC + plastic



SS1900-TA5/TB5/TC5

Clip on front connector

Material - SECC



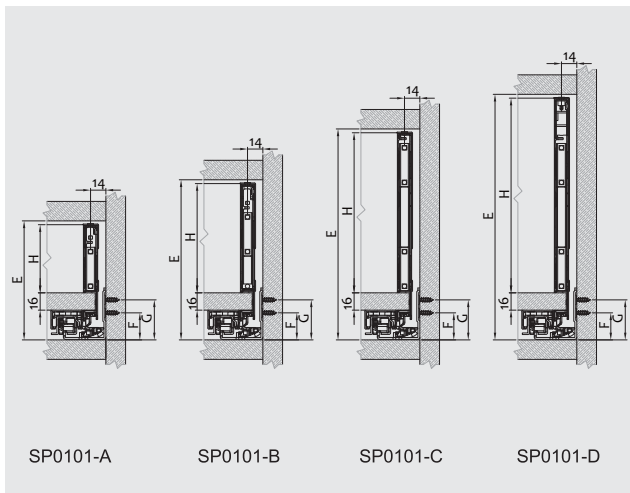
SS1900-TA6/TB6/TC6

Clip on front connector

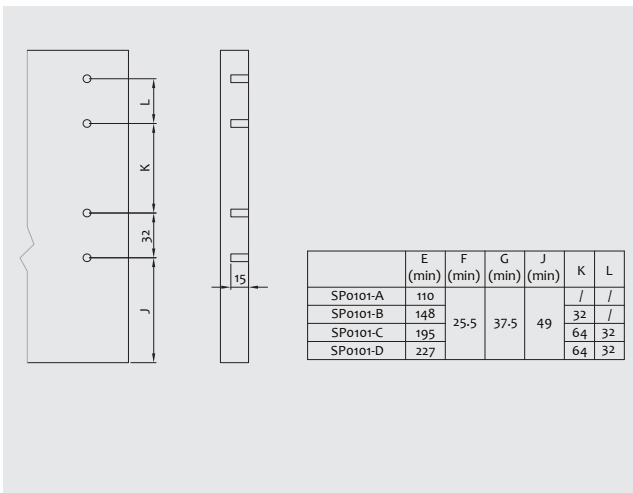
Material - SECC + plastic



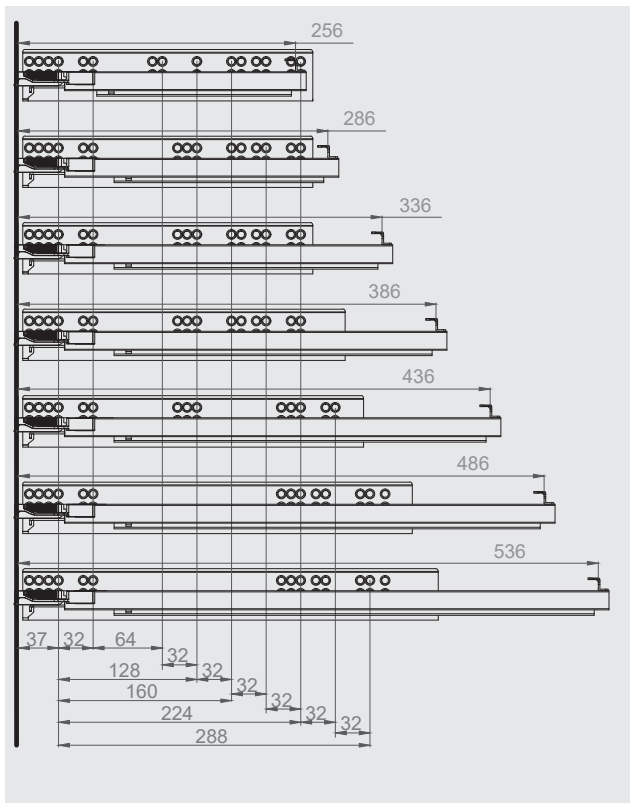
Cabinet space requirements



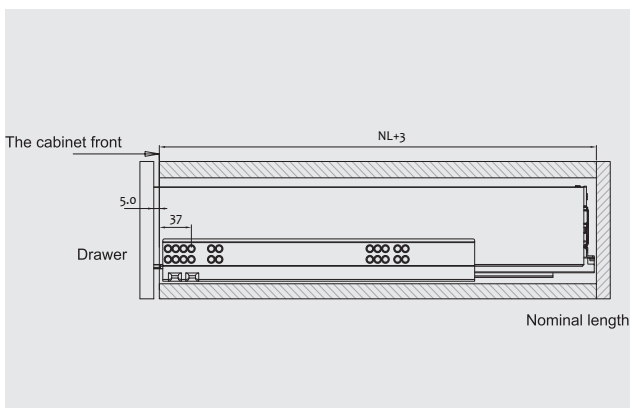
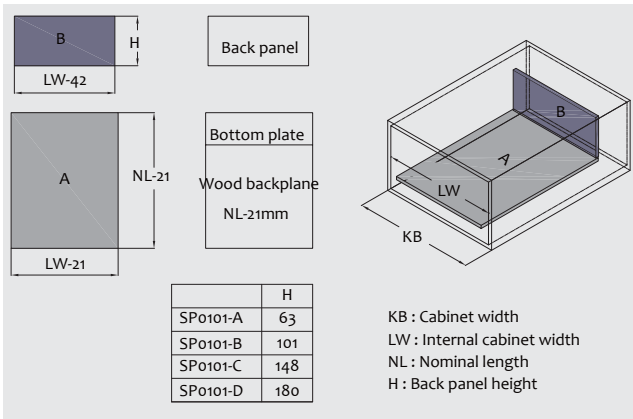
Mounting



Drawer slide installation dimensions



Cutting dimensions for back panel



PUSH OPEN DRAWER SYSTEM

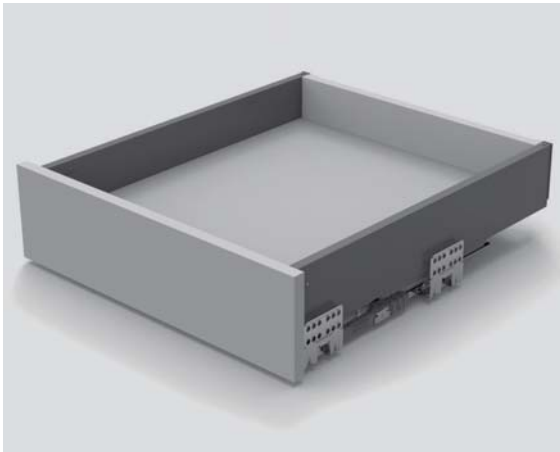
SP2900

Meatonist Slim Box with tandem slide



B

Push Open Drawer System

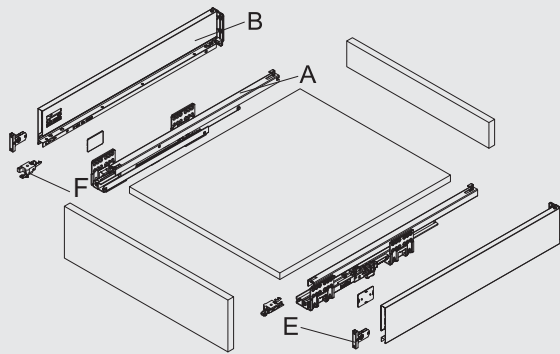


Push-open

- Heights, 63/101/148/180mm.
- Wide range of depth from 270mm;300mm;350mm;400mm;450mm;500mm;550mm.
- 4 regular colors: Black(B), White(W), Dark grey(G), Light grey(O), custom-made colors acceptable.
- Front convenient fine adjustment mechanism integrated. Up & down ± 1.5 mm, left & right ± 1.5 mm.
- Synchronization mechanism of the slides stabilizes the sliding motion and eliminates noises from the living space.

Product Information

Components view



A: SS2900-P00

Drawer slide L/R

Material - SECC

Loading capacity: 40kg

Length: 270mm;300mm;350mm;400mm;450mm;500mm;550mm.



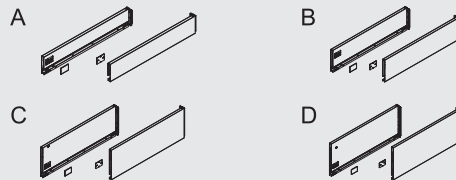
B: SS2900-A/B/C/D

Side wall L/R

Material - cold-rolled steel

Color - Match for set color

Length: 270mm;300mm;350mm;400mm;450mm;500mm;550mm.



E: SS1900-TA1/TB1/TC1

Front connector

Material - SECC + plastic



SS1900-TA2/TB2/TC2

Clip on front connector

Material - SECC + plastic



SS1900-TA5/TB5/TC5

Clip on front connector

Material - SECC



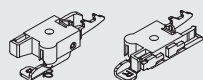
SS1900-TA6/TB6/TC6

Clip on front connector

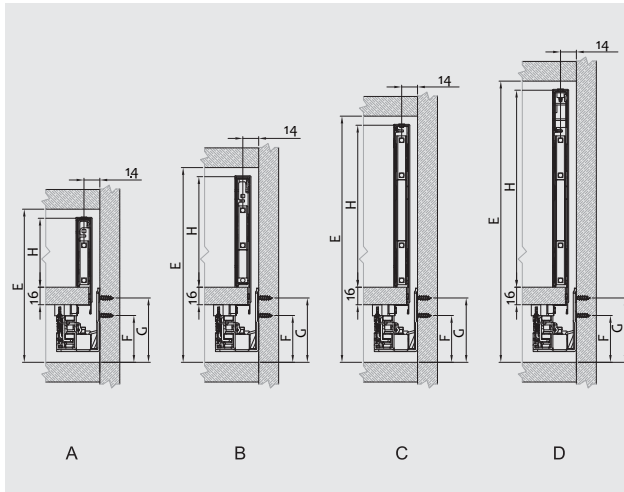
B1: SS2960

Side wall Buckle assembly L/R

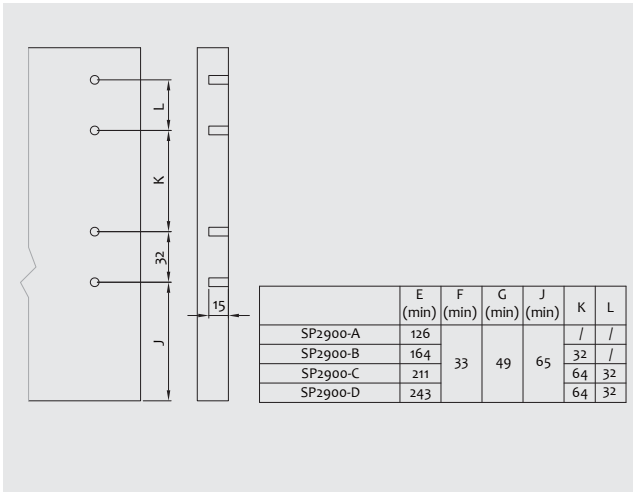
Material - plastic+iron



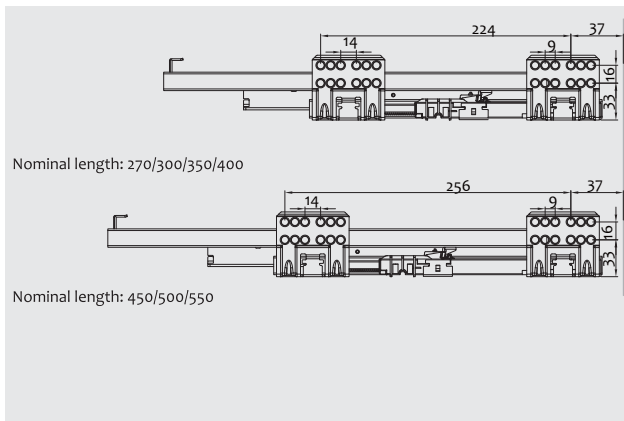
Cabinet space requirements



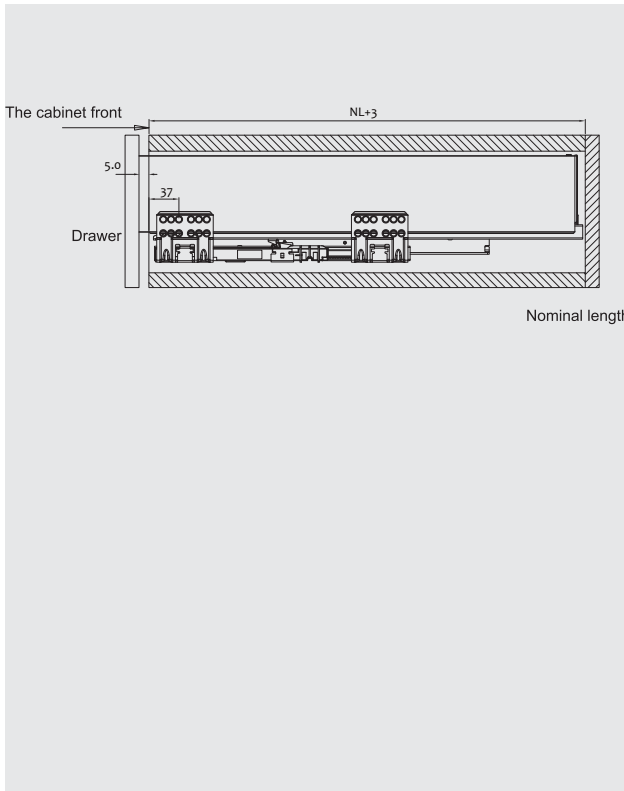
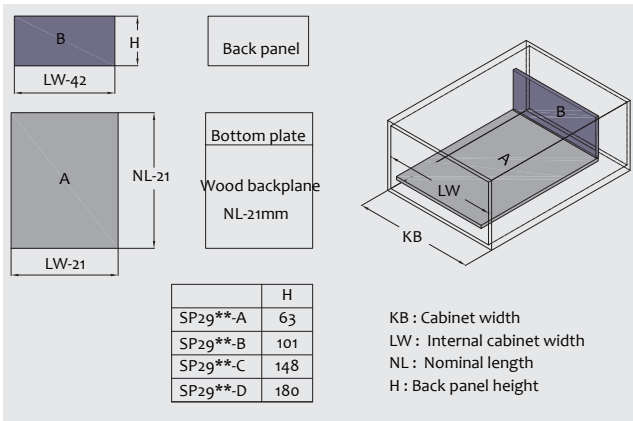
Mounting



Drawer slide installation dimensions



Cutting dimensions for back panel



PUSH OPEN DRAWER SYSTEM

SP0100

Meatonist Slim Box - 3 fold synchronized concealed slide with handle



PUSH-OPEN

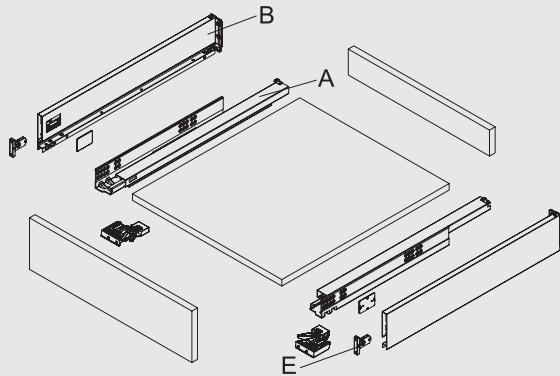
- Heights, 63/101/148/180mm.
- Wide range of depth from 270mm;300mm;350mm;400mm;450mm;500mm;550mm.
- 4 regular colors: Black(B), White(W), Dark grey(G), Light grey(O), custom-made colors acceptable.
- Front convenient fine adjustment mechanism integrated. Up & down ± 1.5 mm, left & right ± 1.5 mm.
- Synchronization mechanism of the slides stabilizes the sliding motion and eliminates noises from the living space.

B

Push Open Drawer System

Product Information

Components view



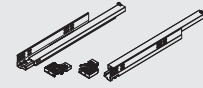
A: DT3341

Drawer slide L/R

Material - SECC

Loading capacity: 30kg

Length: 260mm;290mm;340mm;390mm;440mm;490mm;540mm.



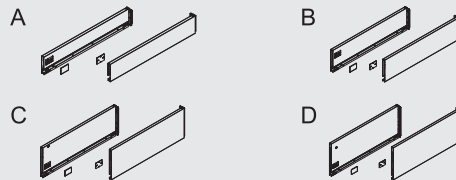
B: SS2900-A/B/C/D

Side wall L/R

Material - cold-rolled steel

Color - Match for set color

Length: 270mm;300mm;350mm;400mm;450mm;500mm;550mm.



E: SS1900-TA1/TB1/TC1

Front connector

Material - SECC + plastic



SS1900-TA2/TB2/TC2

Clip on front connector

Material - SECC + plastic



SS1900-TA5/TB5/TC5

Clip on front connector

Material - SECC



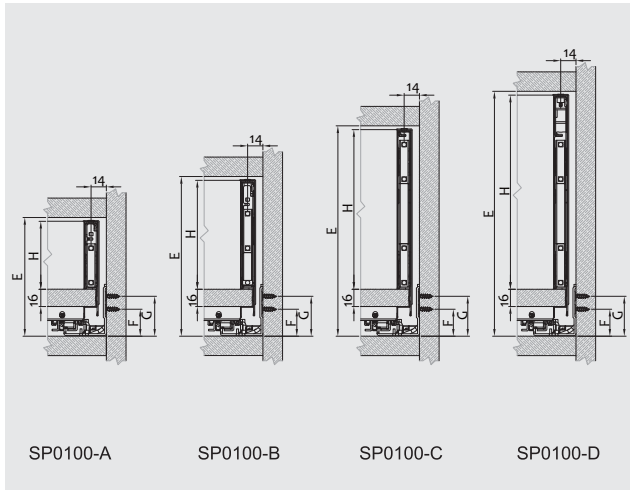
SS1900-TA6/TB6/TC6

Clip on front connector

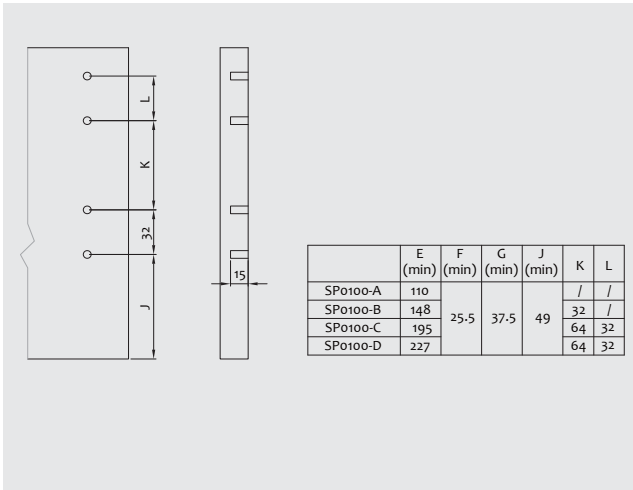
Material - SECC + plastic



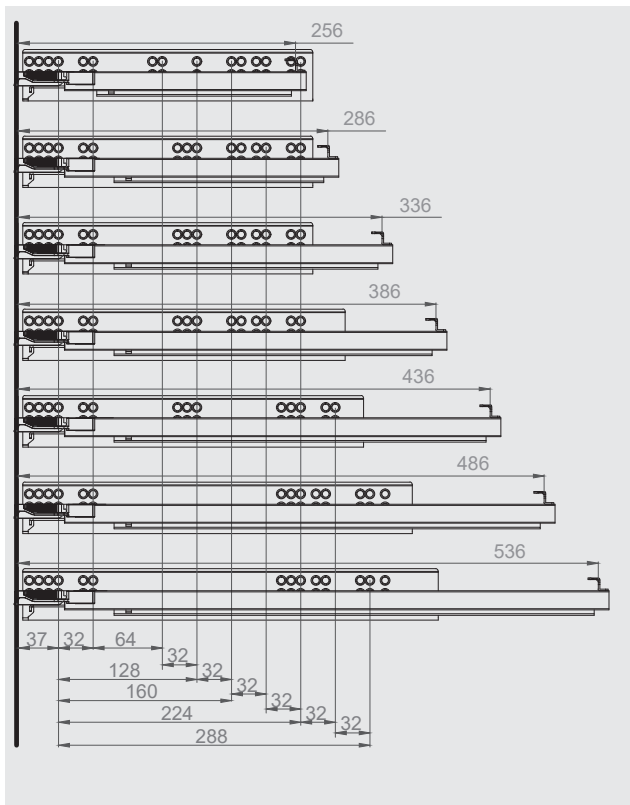
Cabinet space requirements



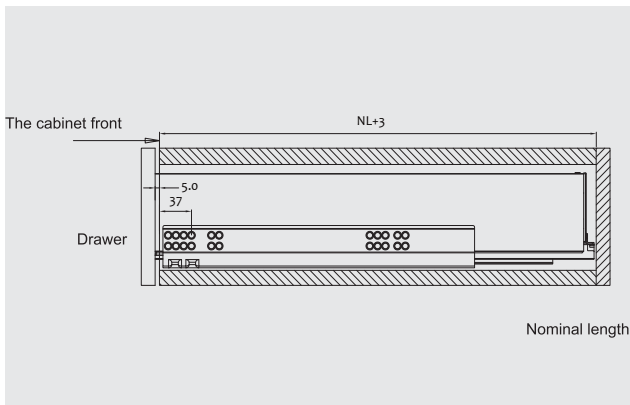
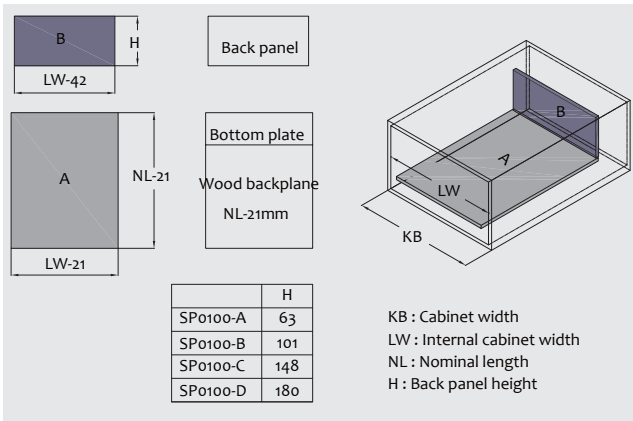
Mounting



Drawer slide installation dimensions



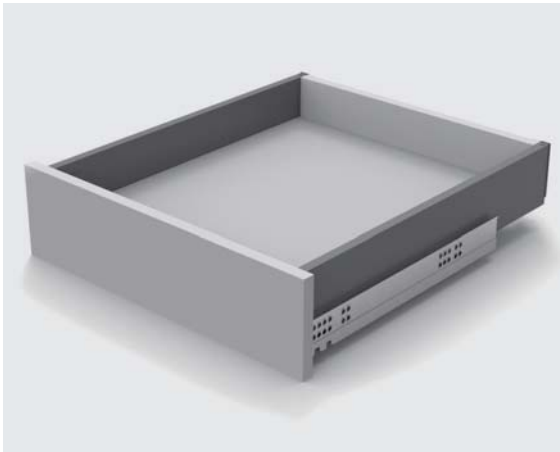
Cutting dimensions for back panel



PUSH OPEN DRAWER SYSTEM

SP0200

Meatonist Slim Box - 3 fold concealed slide with handle



Push-open

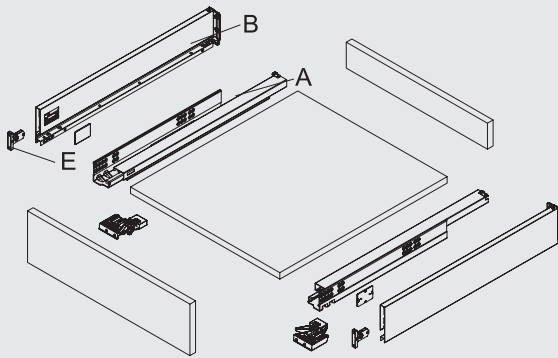
- Heights, 63/101/148/180mm.
- Wide range of depth from 270mm;300mm;350mm;400mm;450mm;500mm;550mm.
- 4 regular colors: Black(B), White(W), Dark grey(G), Light grey(O), custom-made colors acceptable.
- Front convenient fine adjustment mechanism integrated.
Up & down ± 1.5 mm, left & right ± 1.5 mm.

B

Push Open Drawer System

Product Information

Components view



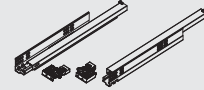
A: DP3341

Drawer slide L/R

Material - SECC

Loading capacity: 30kg

Length: 260mm;290mm;340mm;390mm;440mm;490mm;540mm.



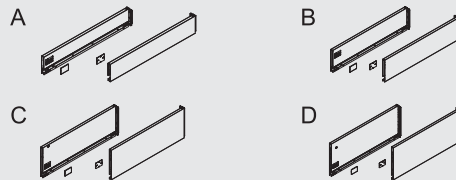
B: SS2900-A/B/C/D

Side wall L/R

Material - cold-rolled steel

Color - Match for set color

Length: 270mm;300mm;350mm;400mm;450mm;500mm;550mm.



E: SS1900-TA1/TB1/TC1

Front connector

Material - SECC + plastic



SS1900-TA2/TB2/TC2

Clip on front connector

Material - SECC + plastic



SS1900-TA5/TB5/TC5

Clip on front connector

Material - SECC



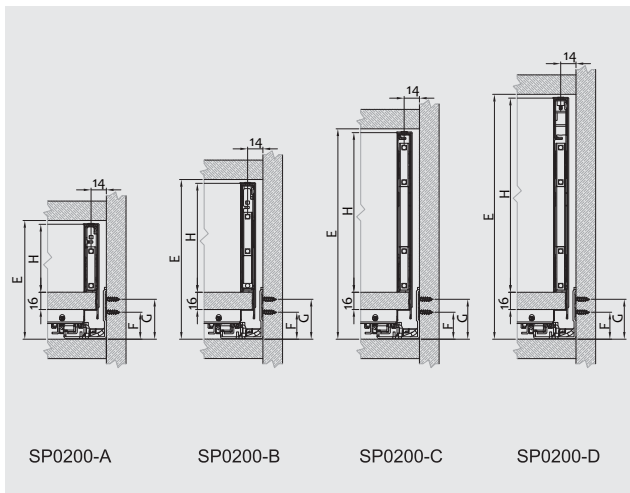
SS1900-TA6/TB6/TC6

Clip on front connector

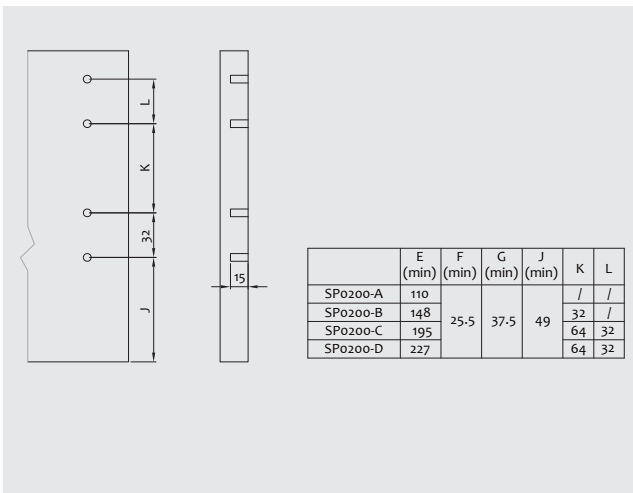
Material - SECC + plastic



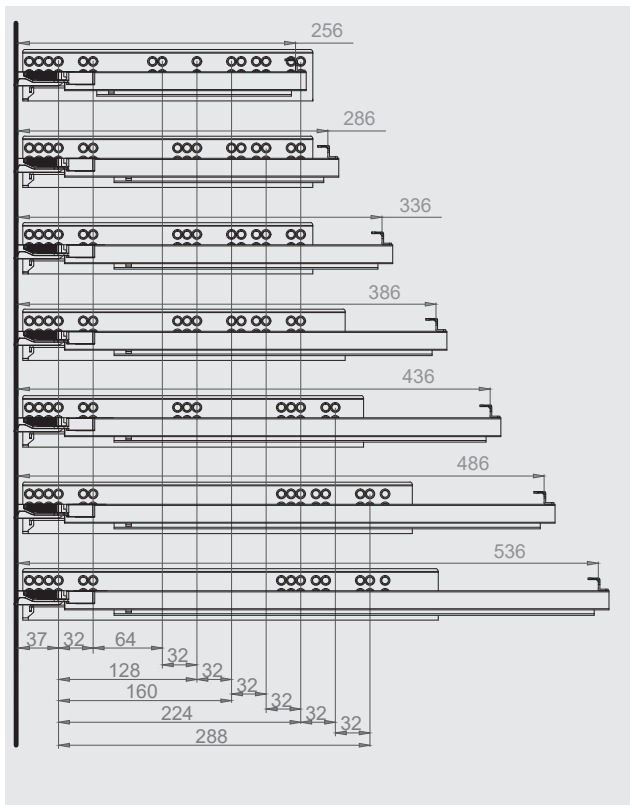
Cabinet space requirements



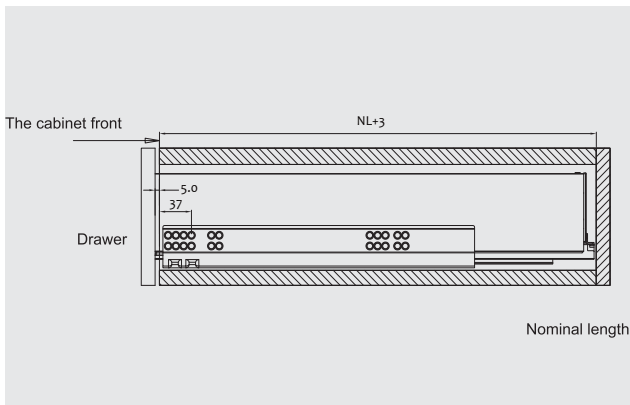
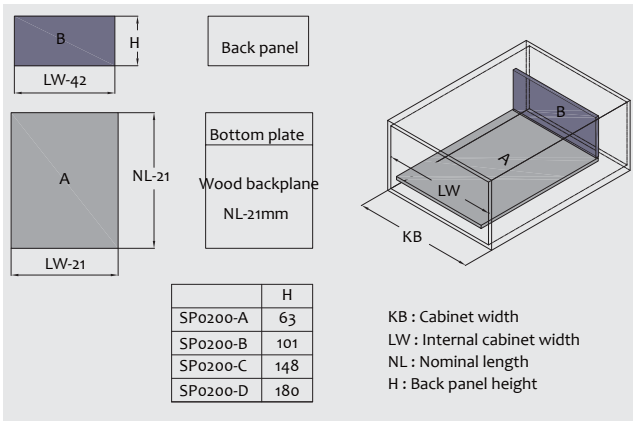
Mounting



Drawer slide installation dimensions



Cutting dimensions for back panel

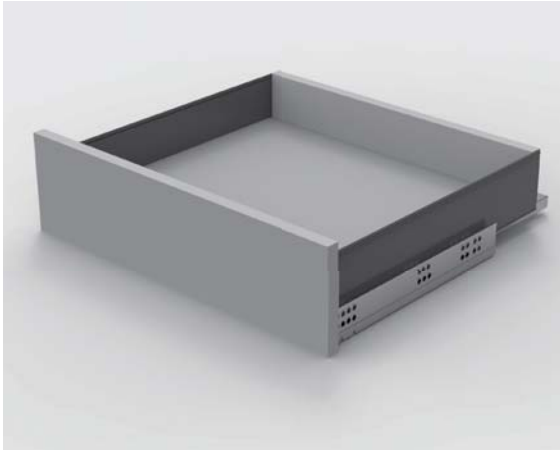


Push Open Drawer System - B.57

PUSH OPEN DRAWER SYSTEM

SP3303

Concise Box - ultra slim single wall - 2 fold concealed slide

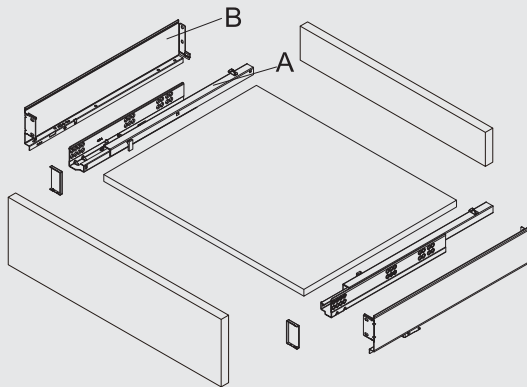


Push-open

- Heights, 63/101/148/180mm.
- Wide range of depth from 270mm;300mm;350mm;400mm;450mm;500mm.
- 4 regular colors: Black(B), White(W), Dark grey(G), Light grey(O), custom-made colors acceptable.
- Front convenient fine adjustment mechanism integrated. Up & down +2mm.

Product Information

Components view



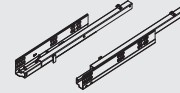
A: DP2246

Drawer slide L/R

Material - SECC

Loading capacity: 25kg

Length: 260mm;290mm;340mm;390mm;440mm;490mm.



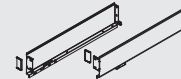
B: SS3903-A

Side wall L/R

Material - cold-rolled steel

Color - Match for set color

Length: 270mm;300mm;350mm;400mm;450mm;500mm.



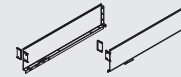
B: SS3903-B

Side wall L/R

Material - cold-rolled steel

Color - Match for set color

Length: 270mm;300mm;350mm;400mm;450mm;500mm.



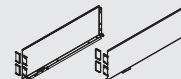
B: SS3903-C

Side wall L/R

Material - cold-rolled steel

Color - Match for set color

Length: 270mm;300mm;350mm;400mm;450mm;500mm.



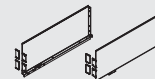
B: SS3903-D

Side wall L/R

Material - cold-rolled steel

Color - Match for set color

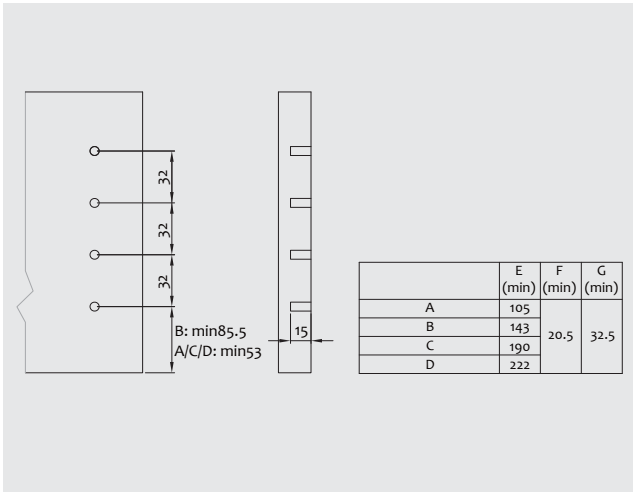
Length: 270mm;300mm;350mm;400mm;450mm;500mm.



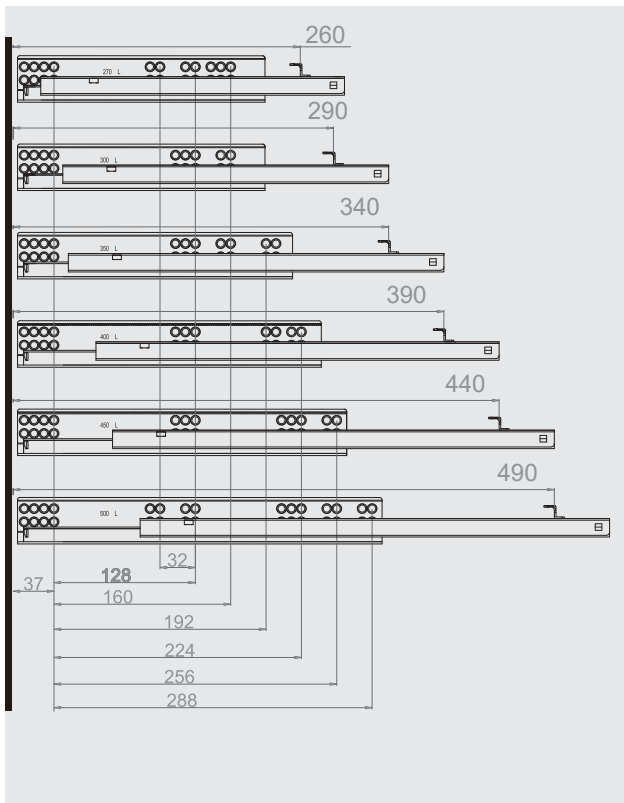
Cabinet space requirements



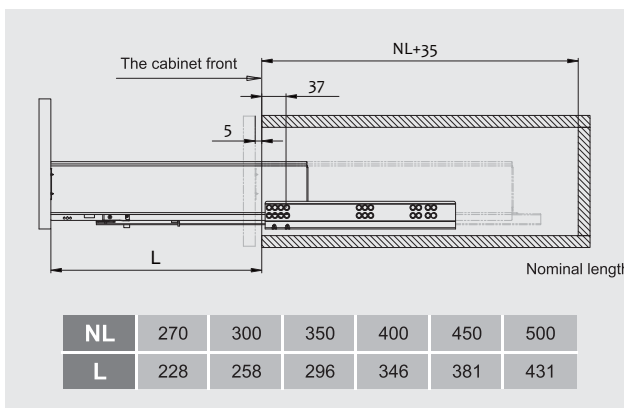
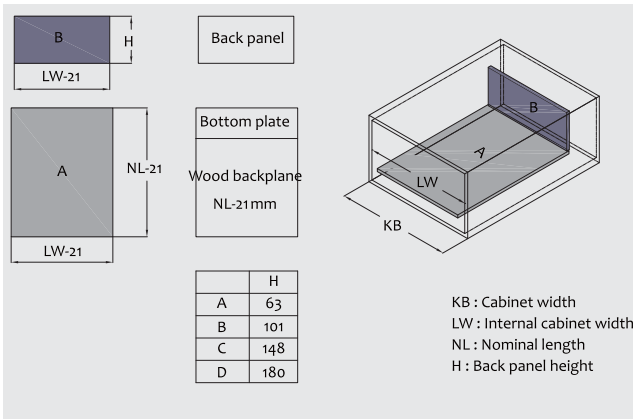
Mounting



Drawer slide installation dimensions



Cutting dimensions for back panel



PUSH OPEN DRAWER SYSTEM

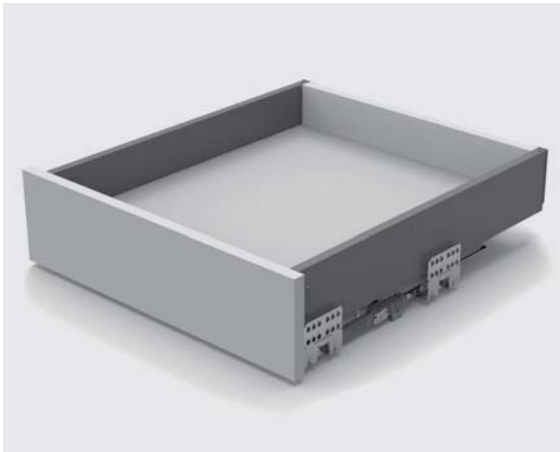
SP2910/ SP2920

Meatonist Slim Box with synchronisation linkage



B

Push Open Drawer System

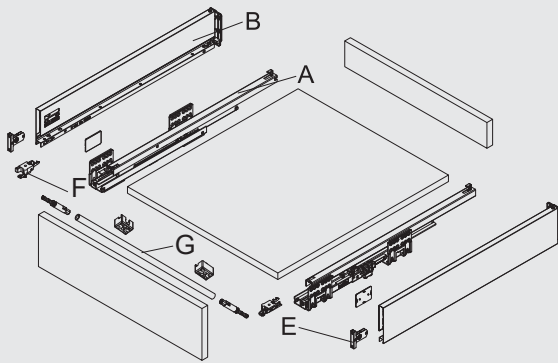


Push-open

- Heights, 63/101/148/180mm.
- Wide range of depth from 270mm;300mm;350mm;400mm;450mm;500mm;550mm.
- 4 regular colors: Black(B), White(W), Dark grey(G), Light grey(O), custom-made colors acceptable.
- Front convenient fine adjustment mechanism integrated. Up & down ± 1.5 mm, left & right ± 1.5 mm.
- Synchronization mechanism of the slides stabilizes the sliding motion and eliminates noises from the living space.
- Add a rebound fitting group for cabinets wider than 600mm.

Product Information

Components view



A: SS2900-P10

Drawer slide L/R

Material - SECC

Loading capacity: 40kg

Length: 270mm;300mm;350mm;400mm;450mm;500mm;550mm.



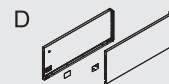
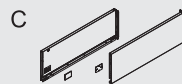
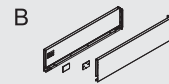
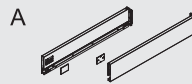
B: SS2900-A/B/C/D

Side wall L/R

Material - cold-rolled steel

Color - Match for set color

Length: 270mm;300mm;350mm;400mm;450mm;500mm;550mm.

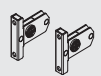


E: SS1900-TA1/TB1/TC1

Front connector

Material - SECC + plastic

TA1



TB1



TC1

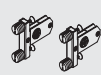


SS1900-TA2/TB2/TC2

Clip on front connector

Material - SECC + plastic

TA2



TB2



TC2

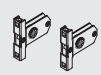


SS1900-TA5/TB5/TC5

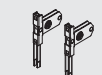
Clip on front connector

Material - SECC

TA5



TB5



TC5



SS1900-TA6/TB6/TC6

Clip on front connector

Material - SECC + plastic

TA6



TB6



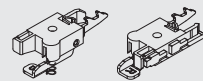
TC6



B1: SS2960

Side wall Buckle assembly L/R

Material - plastic+iron



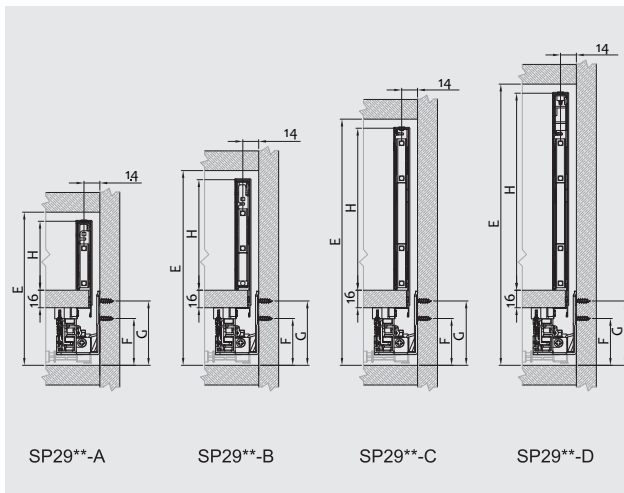
G: SS1800-P21

Synchronisation linkage

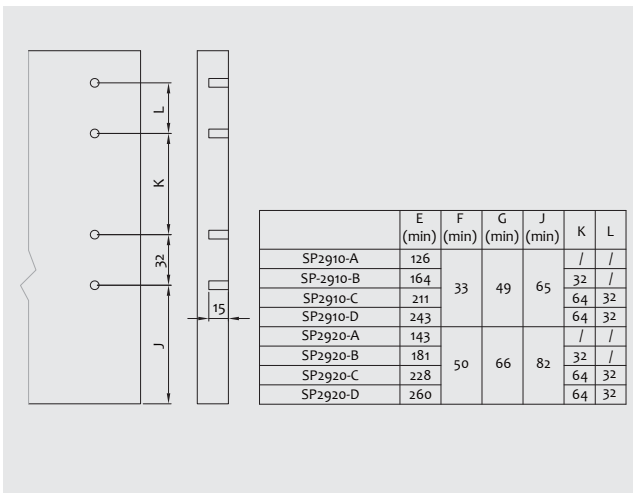
Material - aluminium + plastic



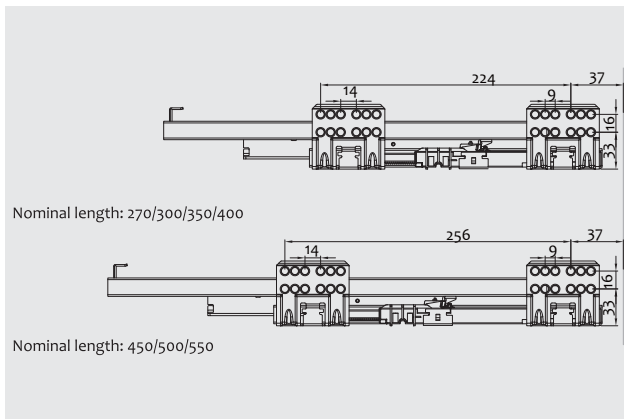
Cabinet space requirements



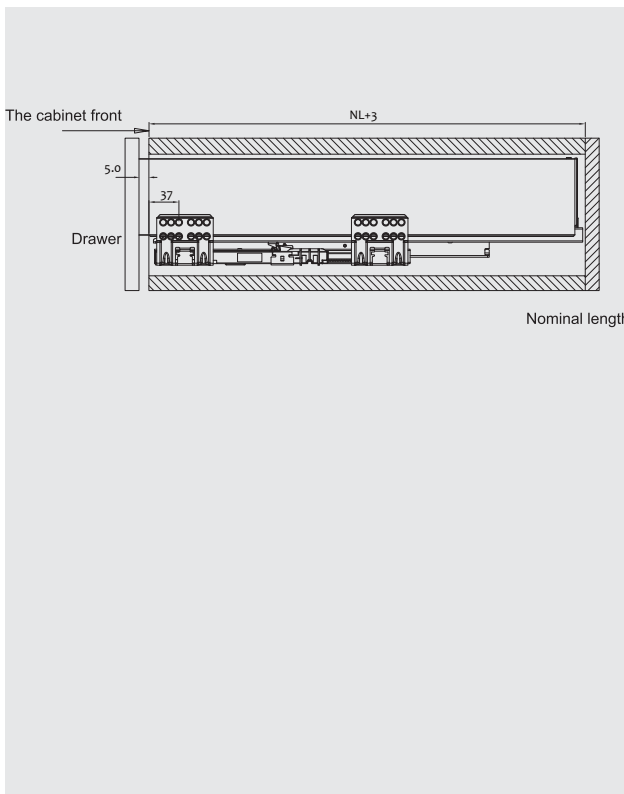
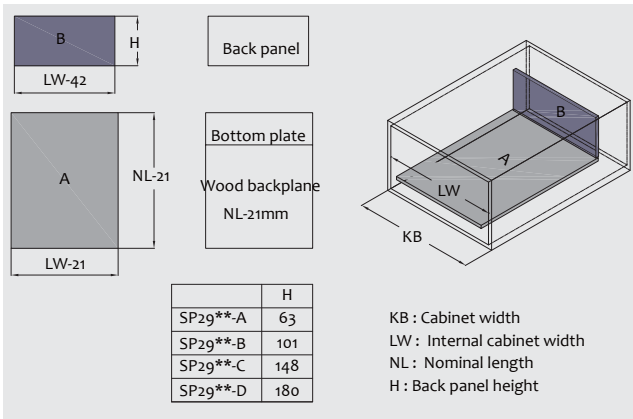
Mounting



Drawer slide installation dimensions



Cutting dimensions for back panel



PUSH OPEN DRAWER SYSTEM

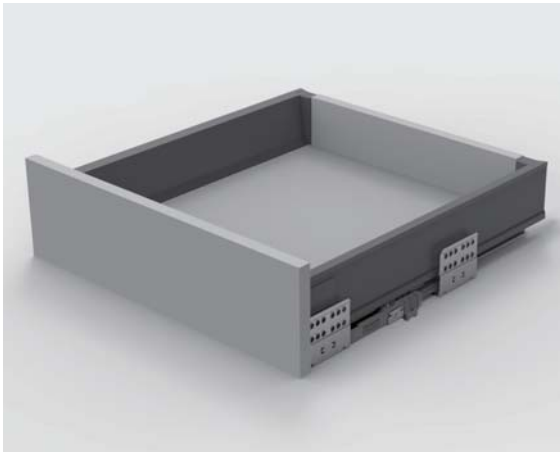
SP1811/ SP1821

Classical Drawer System with synchronisation linkage



B

Push Open Drawer System

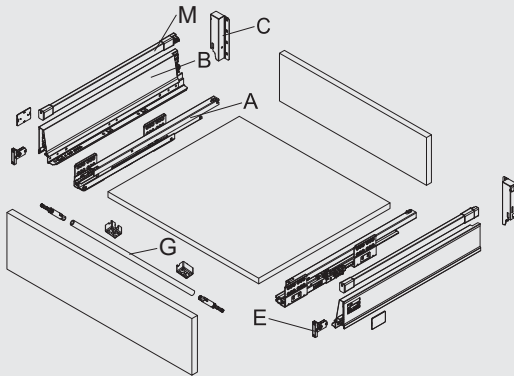


Push-open

- Heights, 84mm/135mm/167mm/199mm.
- Wide range of depth from 270mm;300mm;350mm;400mm;450mm;500mm;550mm.
- 4 regular colors: Black(B), White(W), Dark grey(G), Light grey(O), custom-made colors acceptable.
- Front convenient fine adjustment mechanism integrated. Up & down ± 1.5 mm, left & right ± 1.5 mm.
- Synchronization mechanism of the slides stabilizes the sliding motion and eliminates noises from the living space.
- Add a rebound fitting group for cabinets wider than 600mm.

Product Information

Components view



A: SS1801-P10

Drawer slide L/R

Material - SECC

Loading capacity: 40kg

Length: 270mm;300mm;350mm;400mm;450mm;500mm;550mm.



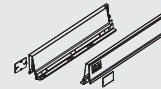
B: SS1801-B

Side wall L/R

Material - cold-rolled steel

Color - Match for set color

Length: 270mm;300mm;350mm;400mm;450mm;500mm;550mm.



C: SS1800-L86/L135/L167/L199

Back panel connector L/R

Material - cold-rolled steel

Color - Match for set color

L86



L135



L167



L199



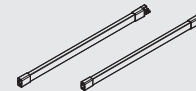
M: SS1801-12

Side square railings

Material - aluminium + plastic

Color - Match for set color

Length: 270mm;300mm;350mm;400mm;450mm;500mm;550mm.



E: SS1900-TA1

Front connector

Material - SECC + plastic



SS1900-TA2

Clip on front connector

Material - SECC + plastic



SS1900-TA5

Clip on front connector

Material - SECC



SS1900-TA6

Clip on front connector

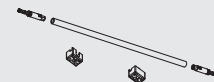
Material - SECC + plastic



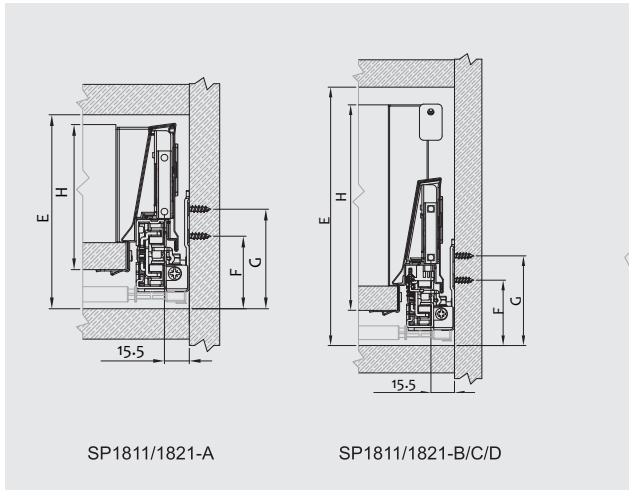
G: SS1800-P21

Synchronisation linkage

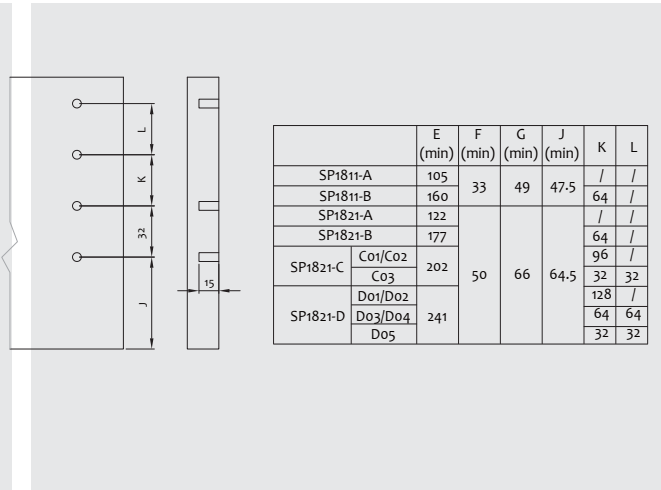
Material - aluminium + plastic



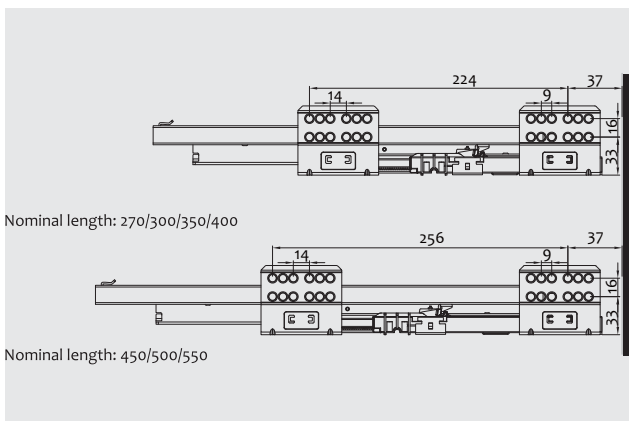
Cabinet space requirements



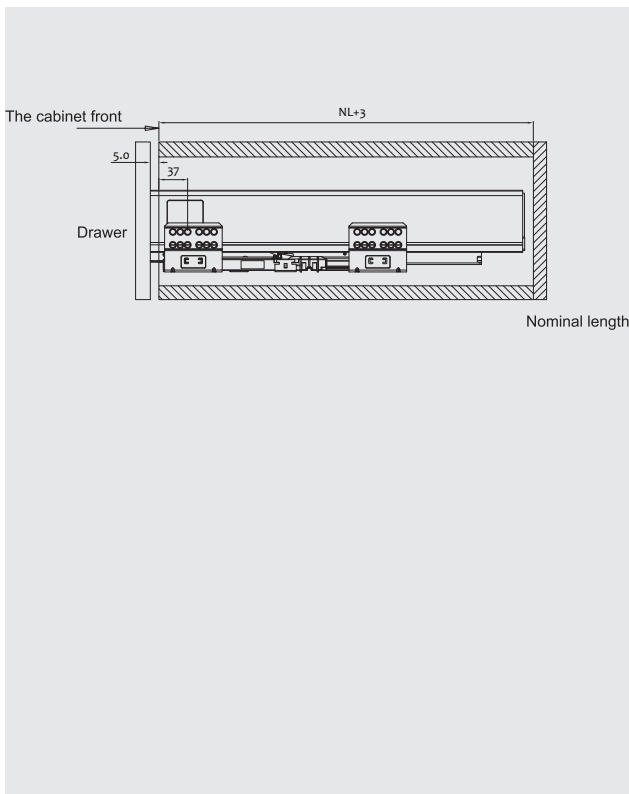
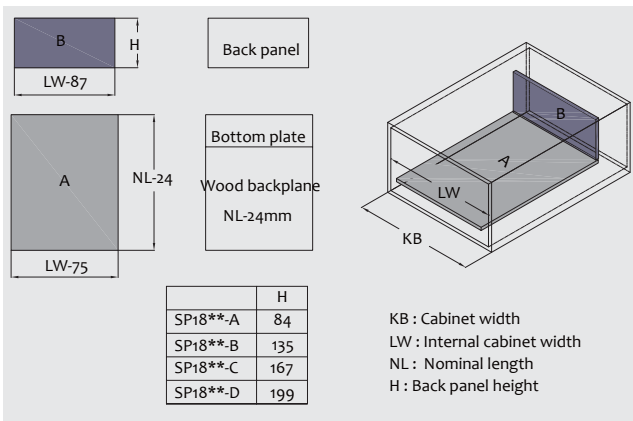
Mounting



Drawer slide installation dimensions



Cutting dimensions for back panel



B

Push Open Drawer System

SLIM DRAWER SYSTEM PUSH OPEN

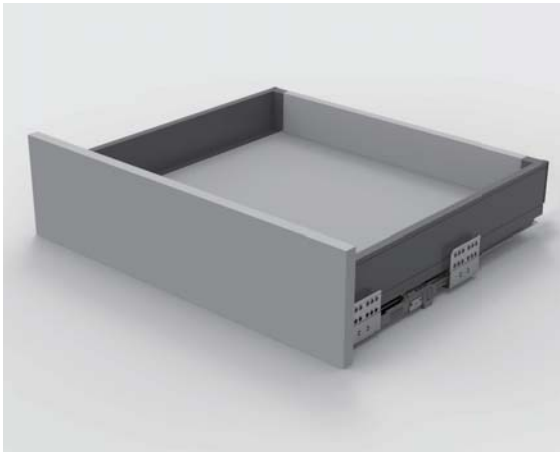
SP1910/ SP1920/ SP1914/ SP1924

Slim Box with synchronisation linkage



B

Slim Drawer System Push Open

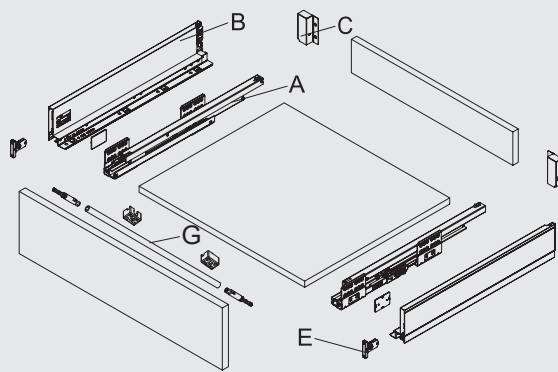


Push-open

- Heights, 86mm/118mm/167mm/199mm.
- Wide range of depth from 270mm;300mm;350mm;400mm;450mm;500mm;550mm.
- 4 regular colors: Black(B), White(W), Dark grey(G), Light grey(O), custom-made colors acceptable.
- Front convenient fine adjustment mechanism integrated. Up & down ± 1.5 mm, left & right ± 1.5 mm.
- Synchronization mechanism of the slides stabilizes the sliding motion and eliminates noises from the living space.
- Add a rebound fitting group for cabinets wider than 600mm.

Product Information

Components view



A: SS1801-P10

Drawer slide L/R

Material - SECC

Loading capacity: 40kg

Length: 270mm;300mm;350mm;400mm;450mm;500mm;550mm.



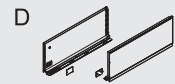
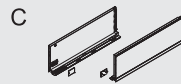
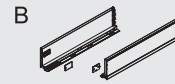
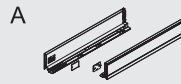
B: SS1900-A/B/C/D

Side wall L/R

Material - cold-rolled steel

Color - Match for set color

Length: 270mm;300mm;350mm;400mm;450mm;500mm;550mm.



E: SS1900-TA1/TB1/TC1

Front connector

Material - SECC + plastic



SS1900-TA2/TB2/TC2

Clip on front connector

Material - SECC + plastic



SS1900-TA5/TB5/TC5

Clip on front connector

Material - SECC



SS1900-TA6/TB6/TC6

Clip on front connector

Material - SECC + plastic



C: SS1900-L86/L118/L167/L199

Back panel connector L/R

Material - cold-rolled steel

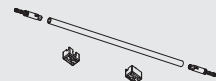
Color - Match for set color



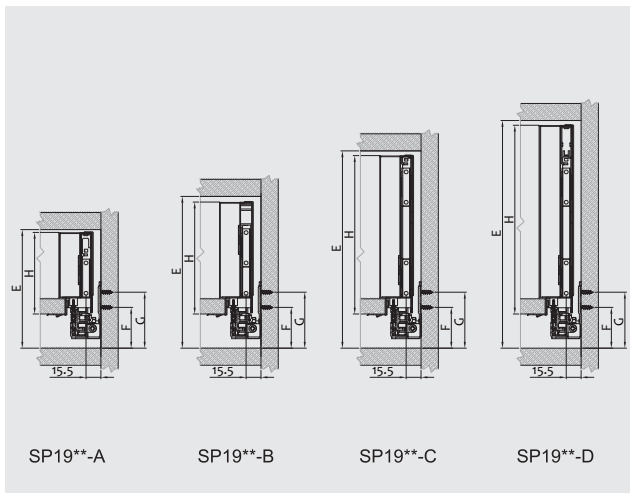
G: SS1800-P21

Synchronisation linkage

Material - aluminium + plastic



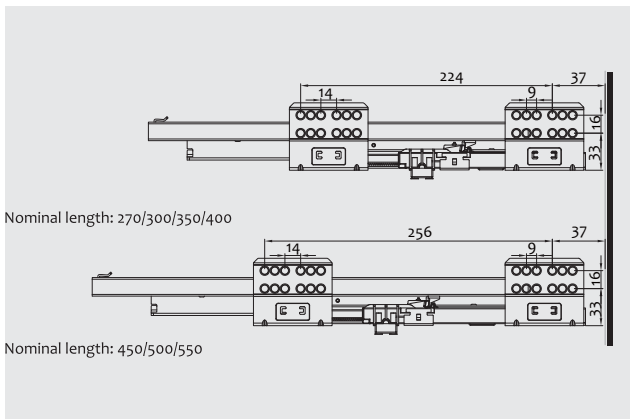
Cabinet space requirements



Mounting

		E (min)	F (min)	G (min)	J (min)	K	L
16mm panel	SP1910-A	115	33	49	47.5	/	/
	SP1910-B	150				32	/
	SP1910-C	198				64	32
	SP1910-D	230	/	/			
	SP1920-A	132	50	66	64.5	32	/
	SP1920-B	167				64	32
SP1920-C	215	64				32	
SP1920-D	247	/	/				
18mm panel	SP1914-A	117	33	49	49.5	/	/
	SP1914-B	152				32	/
	SP1914-C	200				64	32
	SP1914-D	232	64	32			
	SP1924-A	134	50	66	66.5	32	/
	SP1924-B	169				64	32
SP1924-C	217	64				32	
SP1924-D	249	/	/				

Drawer slide installation dimensions



Cutting dimensions for back panel

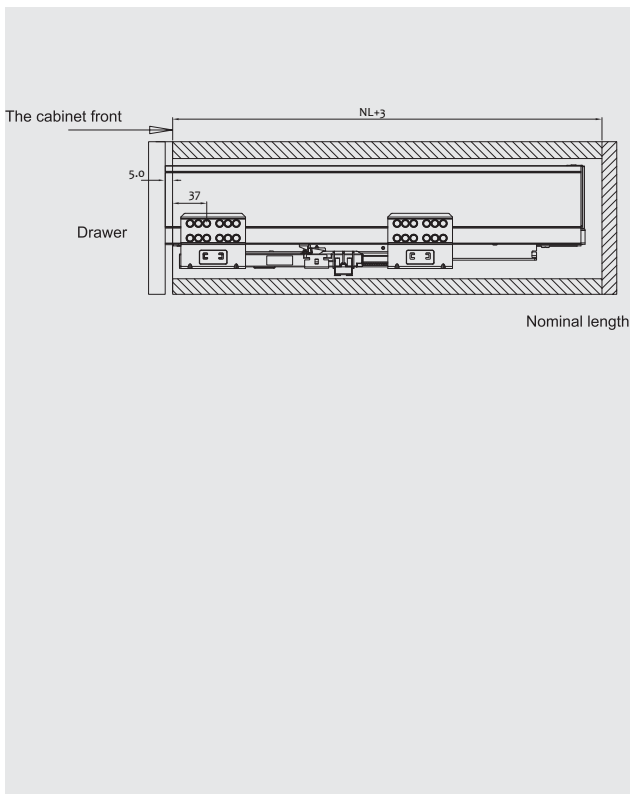
Back panel
LW-87

Bottom plate
LW-75

Wood backplane
16mm: L=NL-24
18mm: L=NL-26

	H
SP19**-A	86
SP19**-B	118
SP19**-C	167
SP19**-D	199

KB : Cabinet width
LW : Internal cabinet width
NL : Nominal length
H : Back panel height



B
Slim Drawer System Push Open

SLIM DRAWER SYSTEM

SB1900 - A01

Slim box, height 86mm



SOFT-CLOSE

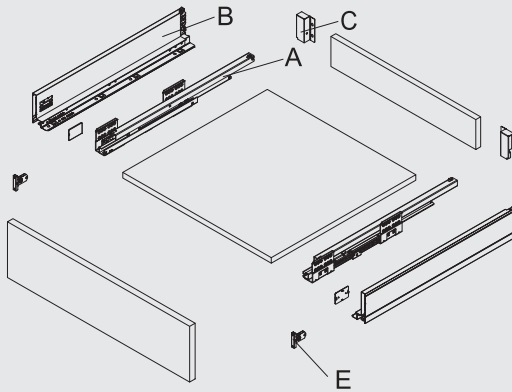
- Basic height, 86mm.
- Loading capacity: 40Kg.
- Wide range of depth from 270mm;300mm;350mm;400mm;450mm;500mm;550mm.
- 4 regular colors: Black(B), White(W), Dark grey(G), Light grey(O), custom-made colors acceptable.
- Front convenient fine adjustment mechanism integrated.
Up & down ± 1.5 mm, left & right ± 1.5 mm.
- Synchronization mechanism of the slides stabilizes the sliding motion and eliminates noises from the living space.

B

Slim Drawer System

Product information

Components view



A: SS1801-S

Drawer slide L/R

Material - SECC

Loading capacity: 40kg

Length: 270mm;300mm;350mm;400mm;450mm;500mm;550mm.



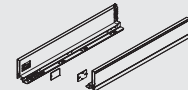
B: SS1900-B86

Side wall L/R

Material - cold-rolled steel

Color - Match for set color

Length: 270mm;300mm;350mm;400mm;450mm;500mm;550mm.

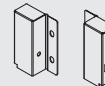


C: SS1900-L86

Back panel connector L/R

Material - cold-rolled steel

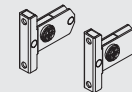
Color - Match for set color



E: SS1900-TA1

Front connector

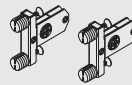
Material - SECC + plastic



SS1900-TA2

Clip on front connector

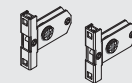
Material - SECC + plastic



SS1900-TA5

Front connector

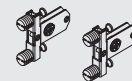
Material - SECC



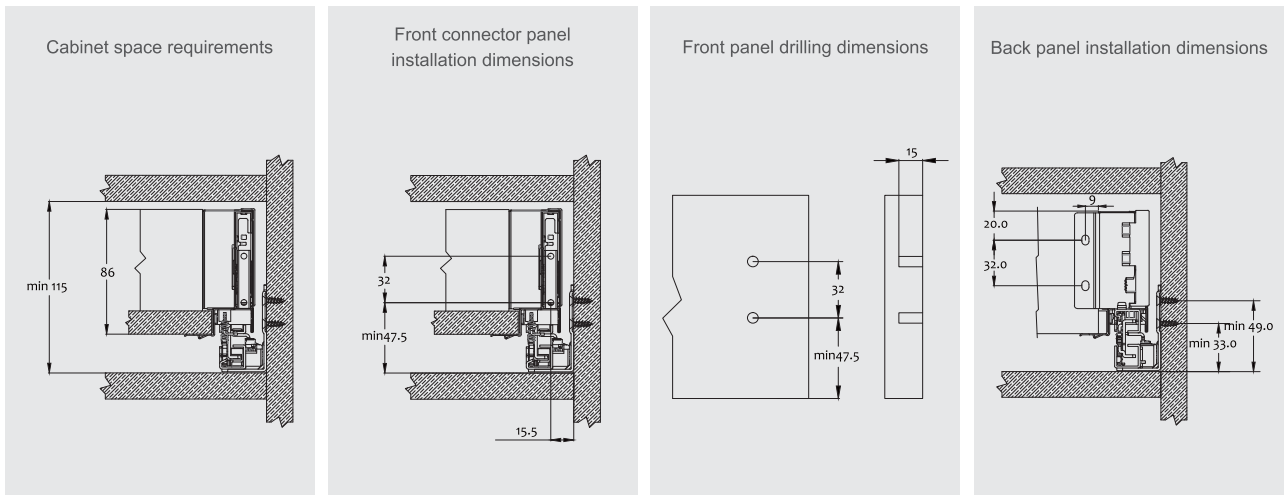
SS1900-TA6

Clip on front connector

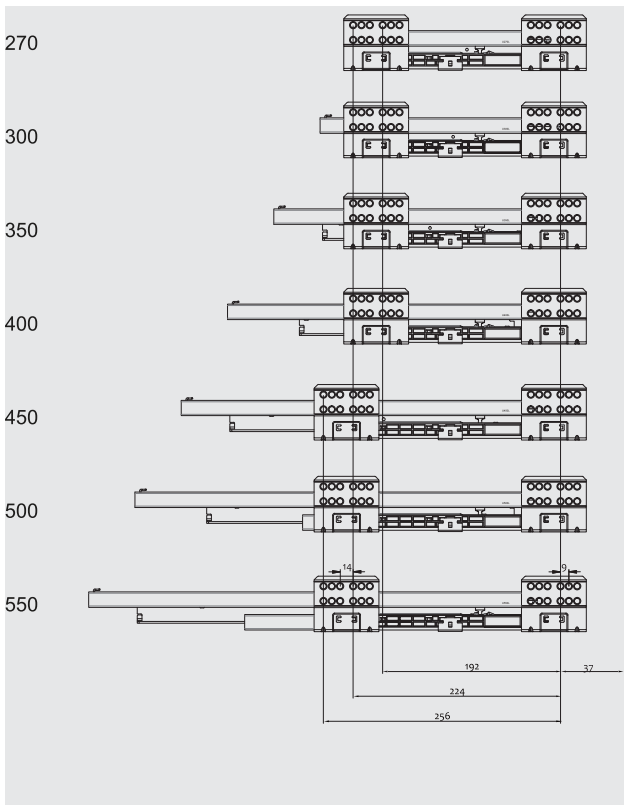
Material - SECC



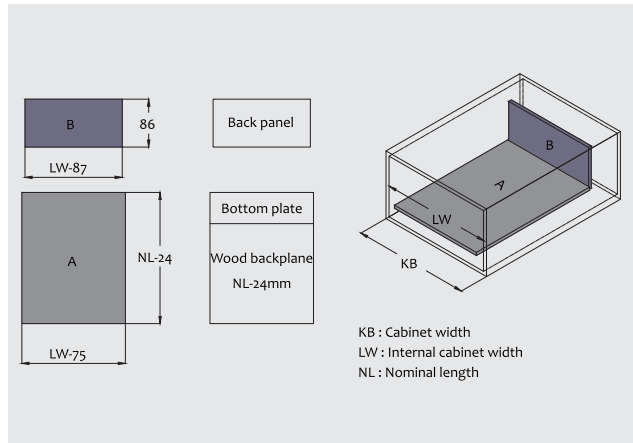
Mounting



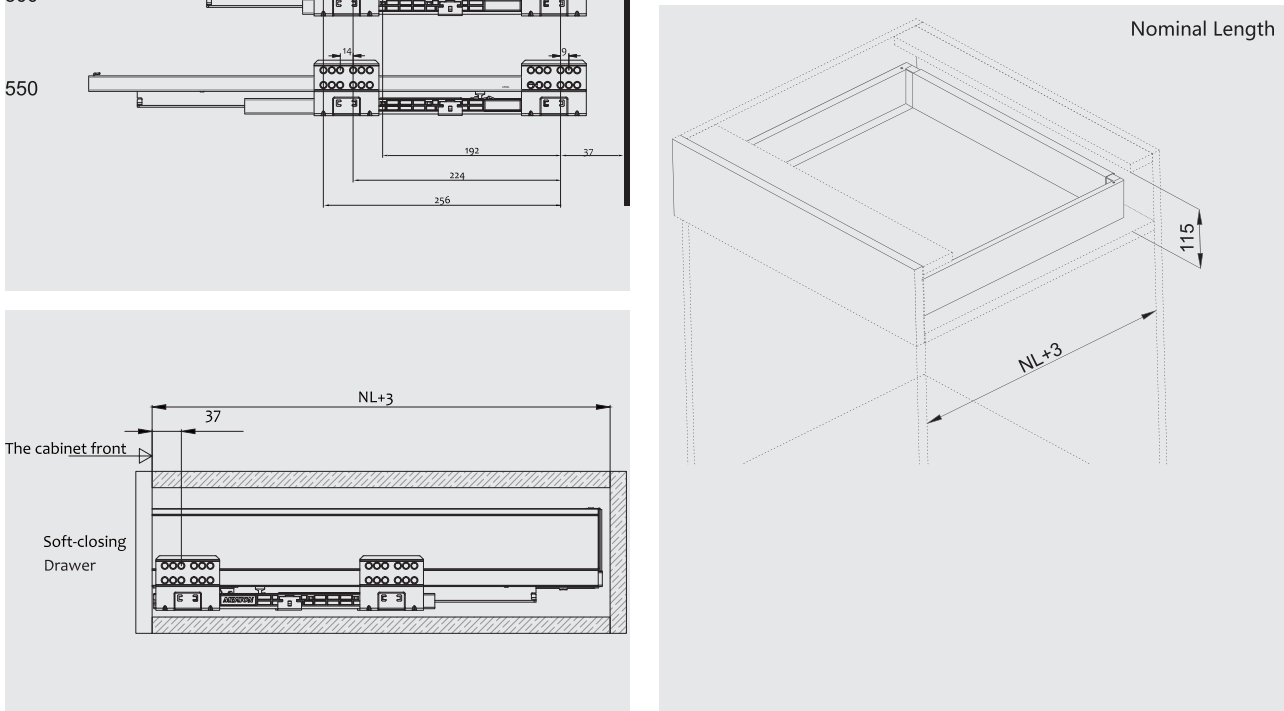
Drawer slide installation dimensions



Cutting dimensions for back panel



Space required



B

Slim Drawer System

SLIM DRAWER SYSTEM

SB1900 - A02/ SB1900 - A02H

Inner box, height 86mm



B

Slim Drawer System

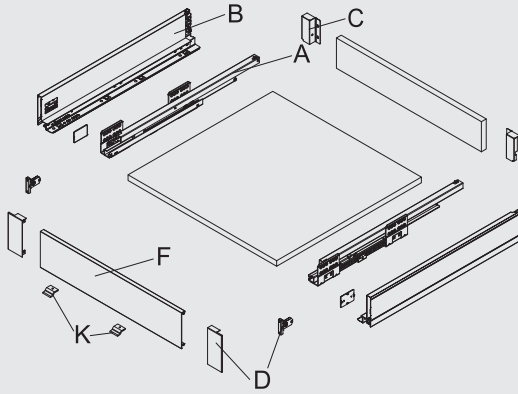


SOFT-CLOSE

- Inner drawer, height 86mm.
- Loading capacity: 40Kg.
- Wide range of depth from 270mm;300mm;350mm;400mm;450mm;500mm;550mm.
- 4 regular colors: Black(B), White(W), Dark grey(G), Light grey(O), custom-made colors acceptable.
- Front convenient fine adjustment mechanism integrated.
Up & down ± 1.5 mm, left & right ± 1.5 mm.
- Synchronization mechanism of the slides stabilizes the sliding motion and eliminates noises from the living space.

Product information

Components view



A: SS1801-S

Drawer slide L/R

Material - SECC

Loading capacity: 40kg

Length: 270mm;300mm;350mm;400mm;450mm;500mm;550mm.



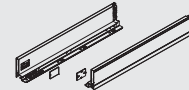
B: SS1900-B86

Side wall L/R

Material - cold-rolled steel

Color - Match for set color

Length: 270mm;300mm;350mm;400mm;450mm;500mm;550mm.

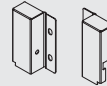


C: SS1900-L86

Back panel connector L/R

Material - cold-rolled steel

Color - Match for set color

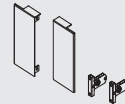


D: SS1900-F86

Inner drawer front connector L/R

Material - cold-rolled steel + plastic

Color - Match for set color

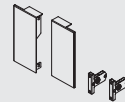


SS1900-F86H

Inner drawer front connector (handle) L/R

Material - cold-rolled steel + plastic

Color - Match for set color



F: SS1800-04

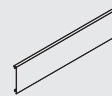
Inner drawer front panel

Material - aluminium

Color - Match for set color

Automatically cut - the cabinet body width LW - 98

Length: 600mm;800mm;900mm;1000mm;1200mm



SS1800-04H

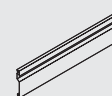
Inner drawer front panel (handle)

Material - aluminium

Color - Match for set color

Automatically cut - the cabinet body width LW - 98

Length: 600mm;800mm;900mm;1000mm;1200mm



K: SS1800-37

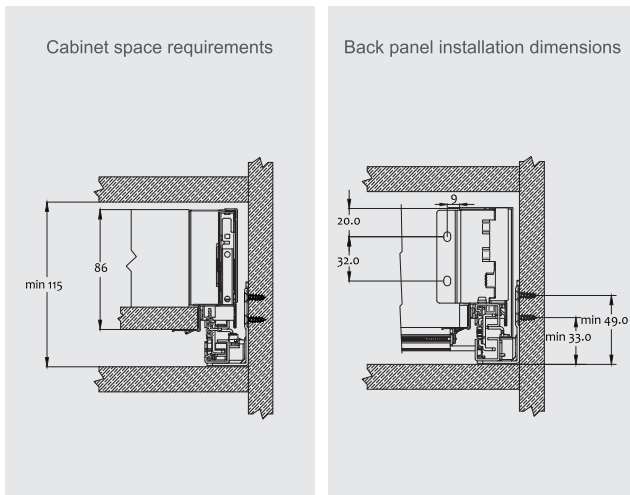
Front panel bracket to bottom panel

Material - plastic

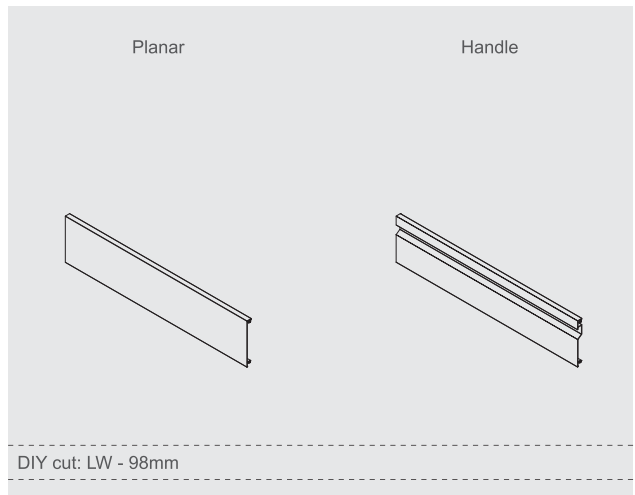
Color - Silver grey



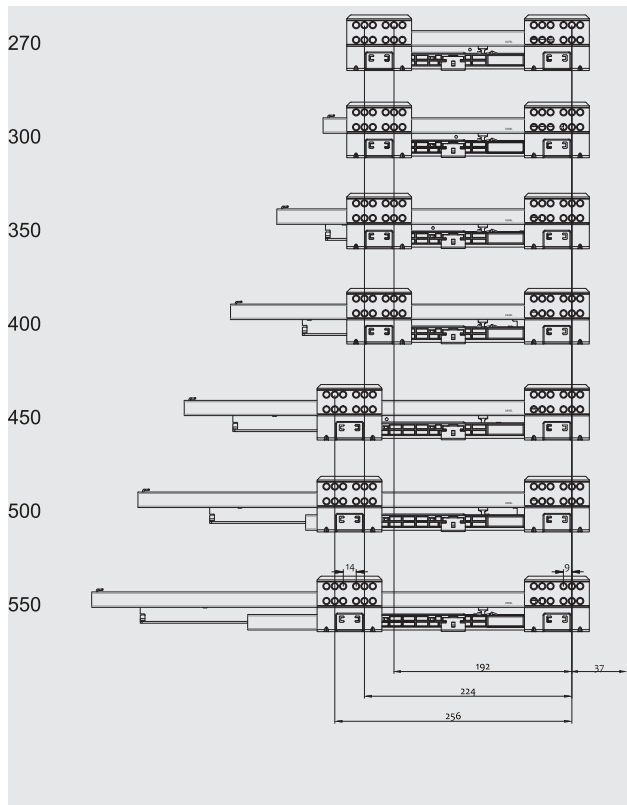
Mounting



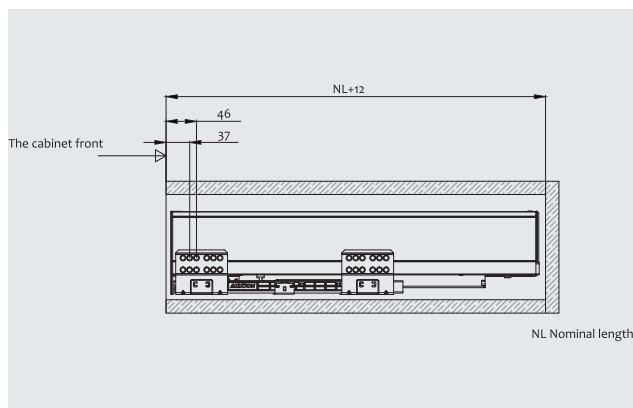
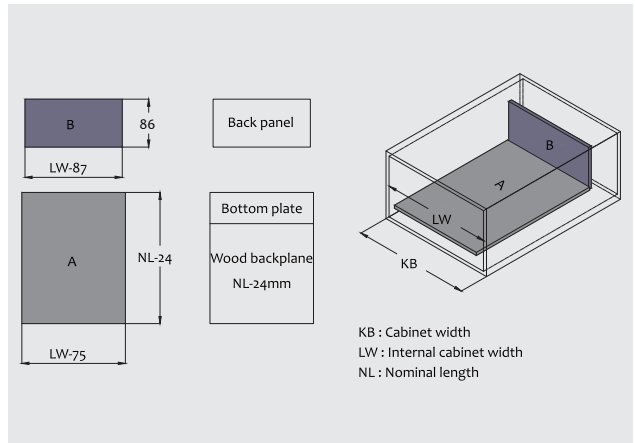
Internal front panel DIY cut



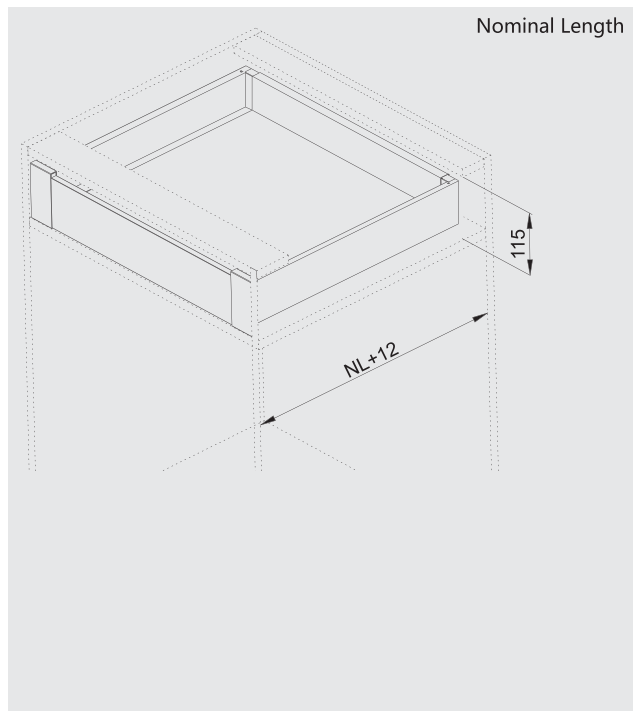
Drawer slide installation dimensions



Cutting dimensions for back panel



Space required



B

Slim Drawer System

SLIM DRAWER SYSTEM

SB1900 - A03

Inner box with extended front glass, height 86mm



B

Slim Drawer System

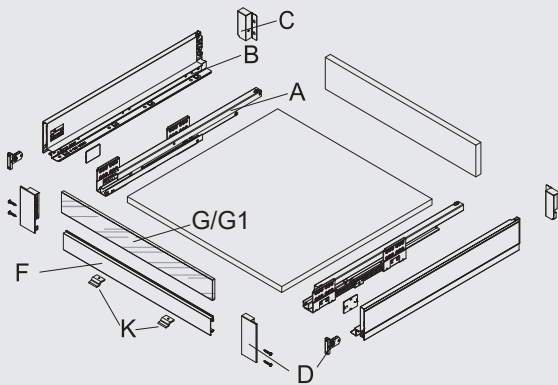


SOFT-CLOSE

- Inner drawer, height 86mm.
- Loading capacity: 40Kg.
- Wide range of depth from 270mm;300mm;350mm;400mm;450mm;500mm;550mm.
- 4 regular colors: Black(B), White(W), Dark grey(G), Light grey(O), custom-made colors acceptable.
- Front convenient fine adjustment mechanism integrated. Up & down ± 1.5 mm, left & right ± 1.5 mm.
- Synchronization mechanism of the slides stabilizes the sliding motion and eliminates noises from the living space.

Product information

Components view



A: SS1801-S

Drawer slide L/R

Material - SECC

Loading capacity: 40kg

Length: 270mm;300mm;350mm;400mm;450mm;500mm;550mm.



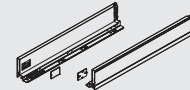
B: SS1900-B86

Side wall L/R

Material - cold-rolled steel

Color - Match for set color

Length: 270mm;300mm;350mm;400mm;450mm;500mm;550mm.

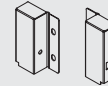


C: SS1900-L86

Back panel connector L/R

Material - cold-rolled steel

Color - Match for set color

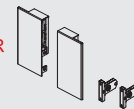


D: SS1900-F86G

Inner drawer front connector (GLASS) L/R

Material - cold-rolled steel + plastic

Color - Match for set color



F: SS1900-04

Inner drawer front panel

Material - aluminium

Color - Match for set color

Automatically cut - the cabinet body width LW - 98

Length: 600mm;800mm;900mm;1000mm;1200mm



G: SS1900-20-A

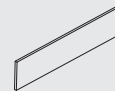
Inner drawer extended front panel

Material - aluminium

Color - Match for set color

Automatically cut - the cabinet body width LW - 85

Length: 600mm;800mm;900mm;1000mm;1200mm



SS1900-20-AS/ SS1900-20-AT

Inner drawer extended front glass

Material - glass

Color - transparent/Frosted

Length: 464mm;564mm;664mm;764mm



K: SS1800-37

Front panel bracket to bottom panel

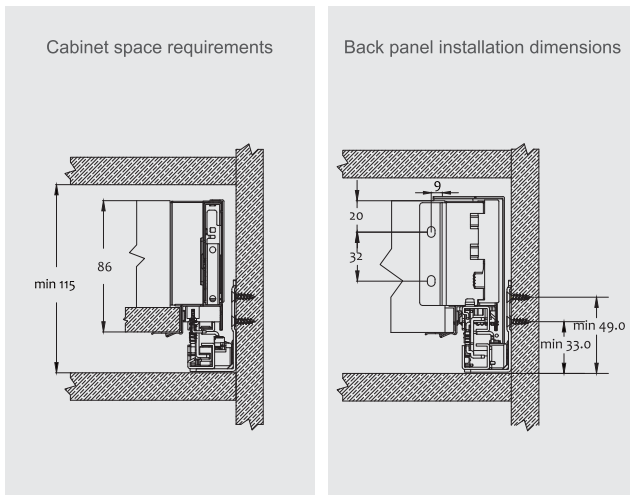
Material - plastic

Color - Silver grey



B.70 -Slim Drawer System

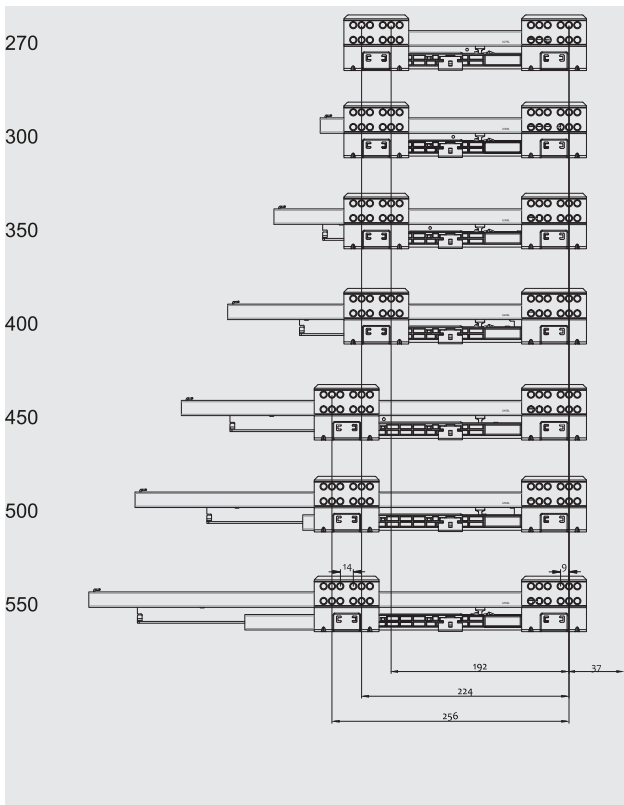
Mounting



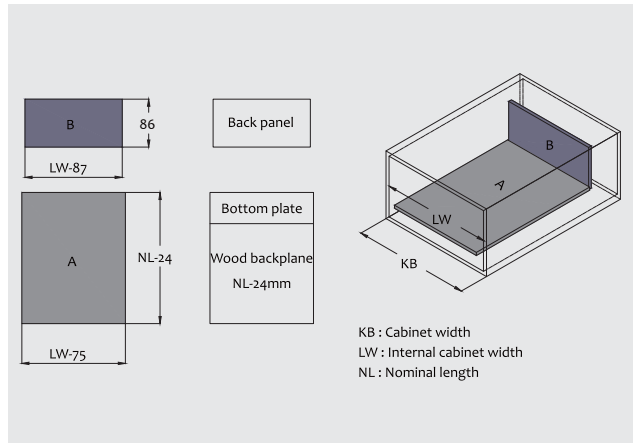
Internal front panel DIY cut



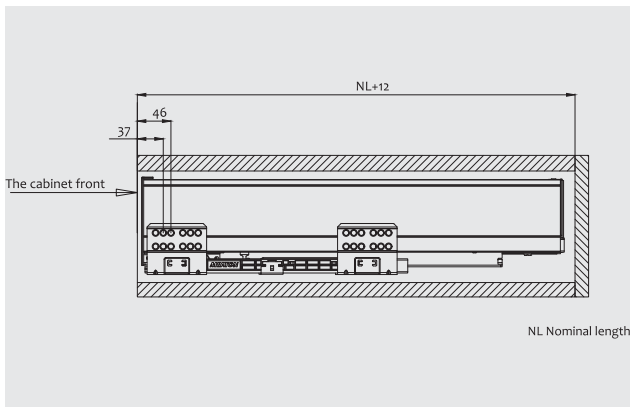
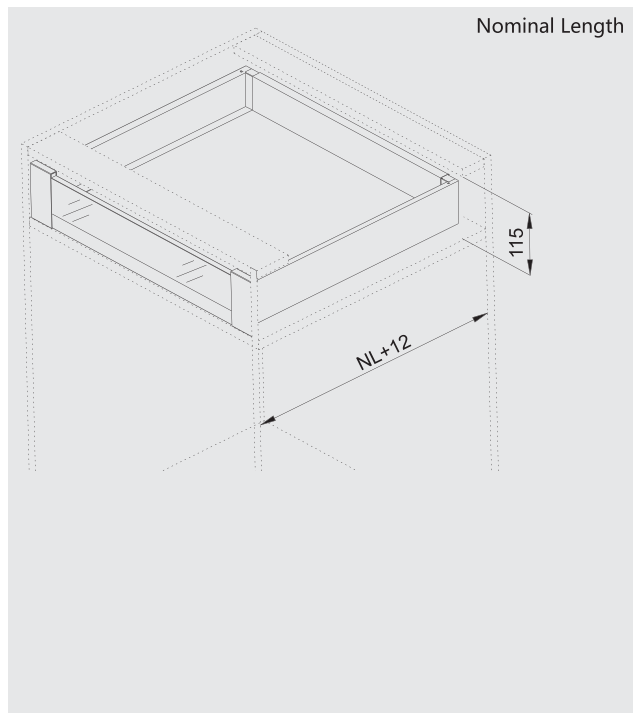
Drawer slide installation dimensions



Cutting dimensions for back panel



Space required



B

Slim Drawer System

SLIM DRAWER SYSTEM

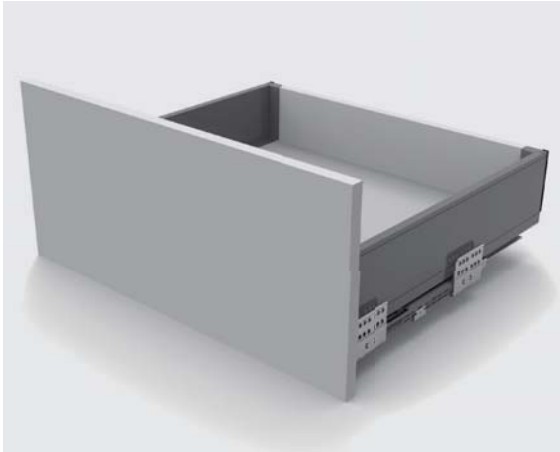
SB1900 - B01

Slim box, height 118mm



B

Slim Drawer System

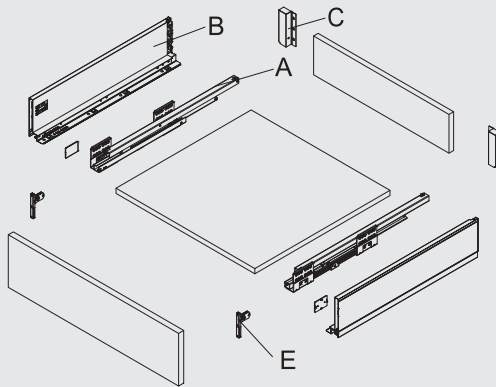


SOFT-CLOSE

- Basic height, 118mm.
- Loading capacity: 40Kg.
- Wide range of depth from 270mm;300mm;350mm;400mm;450mm;500mm;550mm.
- 4 regular colors: Black(B), White(W), Dark grey(G), Light grey(O), custom-made colors acceptable.
- Front convenient fine adjustment mechanism integrated. Up & down ± 1.5 mm, left & right ± 1.5 mm.
- Synchronization mechanism of the slides stabilizes the sliding motion and eliminates noises from the living space.

Product information

Components view



A: SS1801-S

Drawer slide L/R

Material - SECC

Loading capacity: 40kg

Length: 270mm;300mm;350mm;400mm;450mm;500mm;550mm.



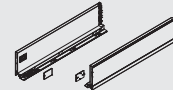
B: SS1900-B118

Side wall L/R

Material - cold-rolled steel

Color - Match for set color

Length: 270mm;300mm;350mm;400mm;450mm;500mm;550mm.



C: SS1900-L118

Back panel connector L/R

Material - cold-rolled steel

Color - Match for set color



E: SS1900-TB1

Front connector

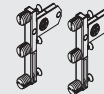
Material - SECC + plastic



SS1900-TB2

Clip on front connector

Material - SECC + plastic



SS1900-TB5

Front connector

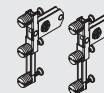
Material - SECC



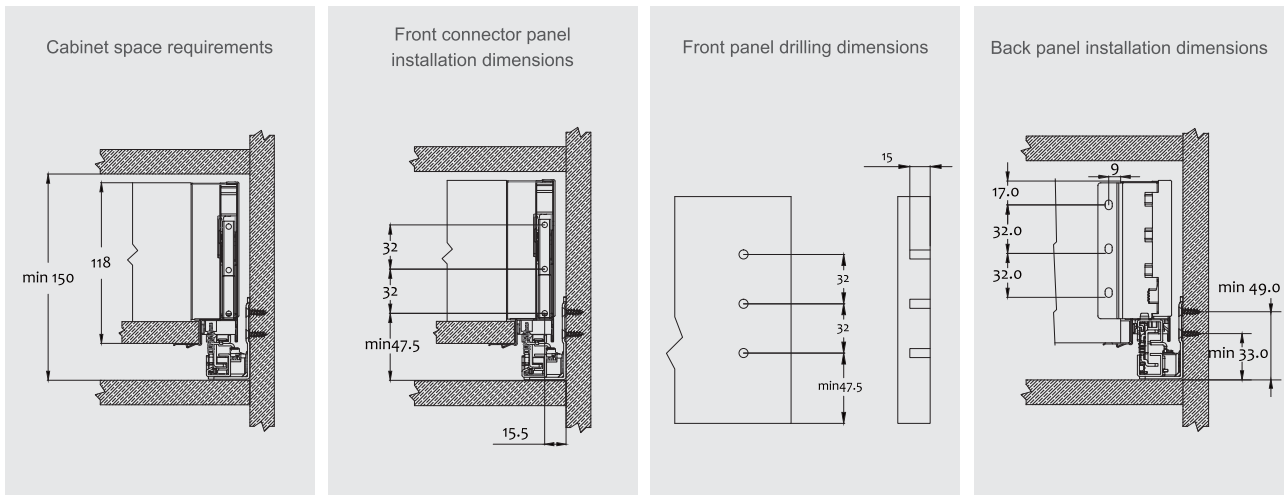
SS1900-TB6

Clip on front connector

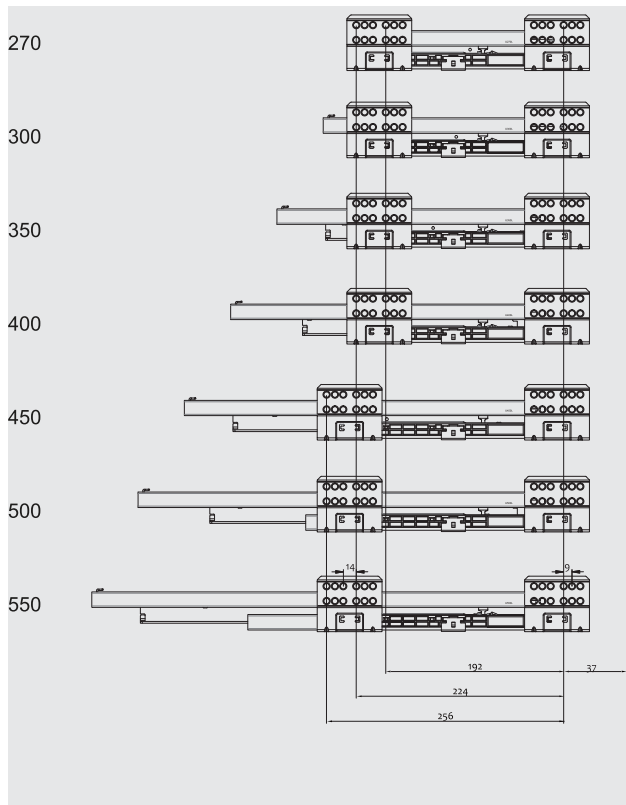
Material - SECC



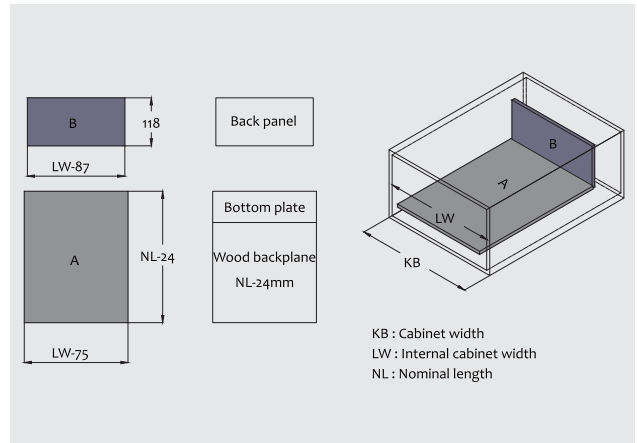
Mounting



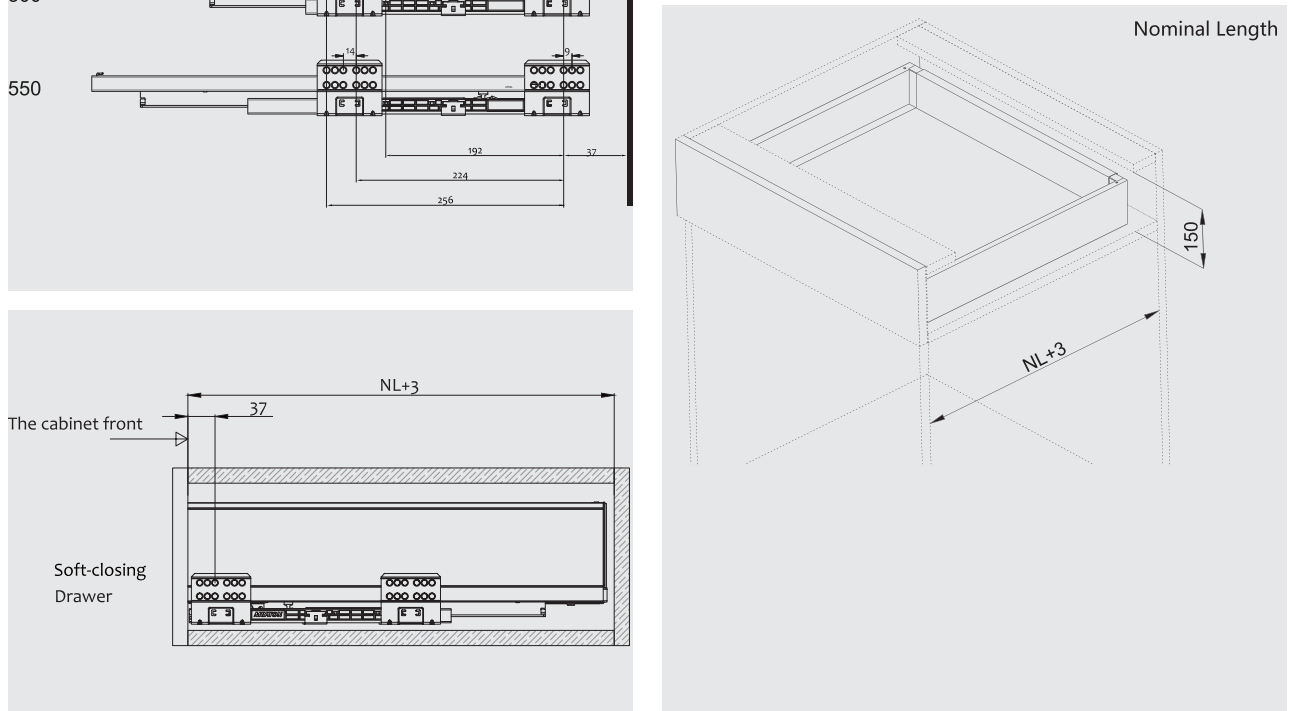
Drawer slide installation dimensions



Cutting dimensions for back panel



Space required



B

Slim Drawer System

SLIM DRAWER SYSTEM

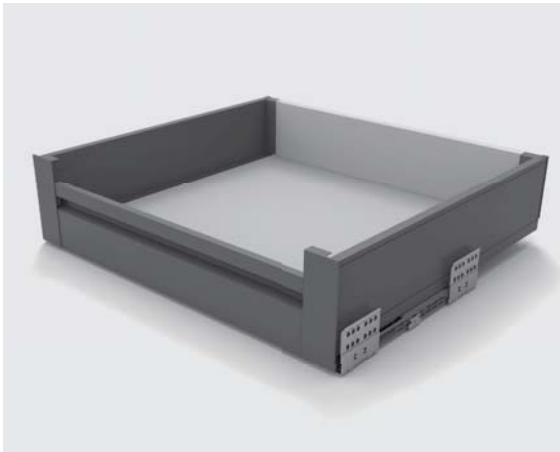
SB1900 - B02/ SB1900 - B02H

Inner box, height 118mm



B

Slim Drawer System

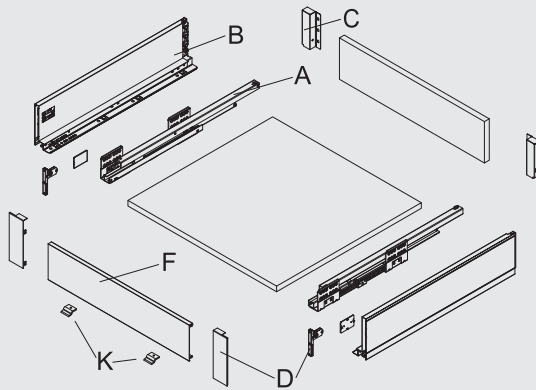


SOFT-CLOSE

- Inner drawer, height 118mm.
- Loading capacity: 40Kg.
- Wide range of depth from 270mm;300mm;350mm;400mm;450mm;500mm;550mm.
- 4 regular colors: Black(B), White(W), Dark grey(G), Light grey(O), custom-made colors acceptable.
- Front convenient fine adjustment mechanism integrated. Up & down ± 1.5 mm, left & right ± 1.5 mm.
- Synchronization mechanism of the slides stabilizes the sliding motion and eliminates noises from the living space.

Product information

Components view



A: SS1801-S

Drawer slide L/R

Material - SECC

Loading capacity: 40kg

Length: 270mm;300mm;350mm;400mm;450mm;500mm;550mm.



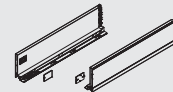
B: SS1900-B118

Side wall L/R

Material - cold-rolled steel

Color - Match for set color

Length: 270mm;300mm;350mm;400mm;450mm;500mm;550mm.



C: SS1900-L118

Back panel connector L/R

Material - cold-rolled steel

Color - Match for set color

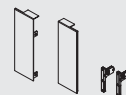


D: SS1900-F118

Inner drawer front connector L/R

Material - cold-rolled steel + plastic

Color - Match for set color

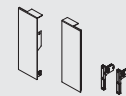


SS1900-F118H

Inner drawer front connector (handle) L/R

Material - cold-rolled steel + plastic

Color - Match for set color



F: SS1800-04

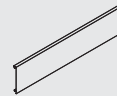
Inner drawer front panel

Material - aluminium

Color - Match for set color

Automatically cut - the cabinet body width LW - 98

Length: 600mm;800mm;900mm;1000mm;1200mm



SS1800-04H

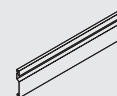
Inner drawer front panel (handle)

Material - aluminium

Color - Match for set color

Automatically cut - the cabinet body width LW - 98

Length: 600mm;800mm;900mm;1000mm;1200mm



K: SS1800-37

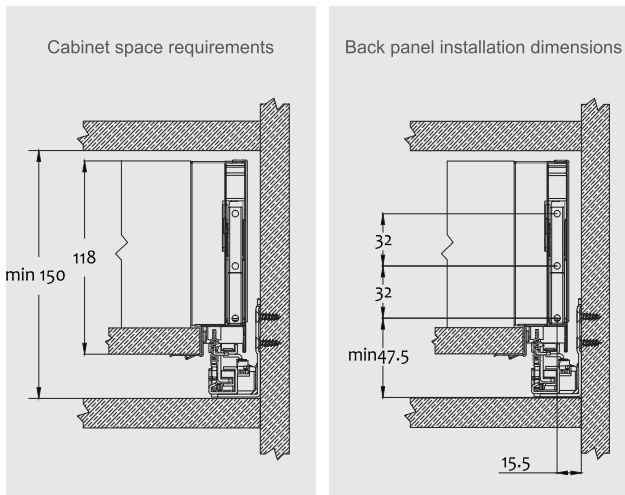
Front panel bracket to bottom panel

Material - plastic

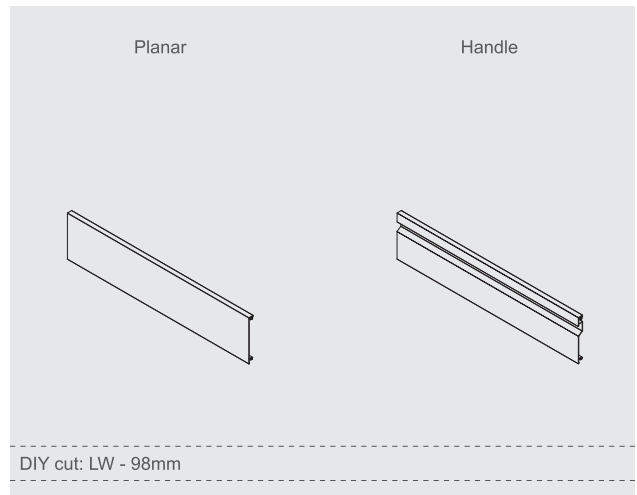
Color - Silver grey



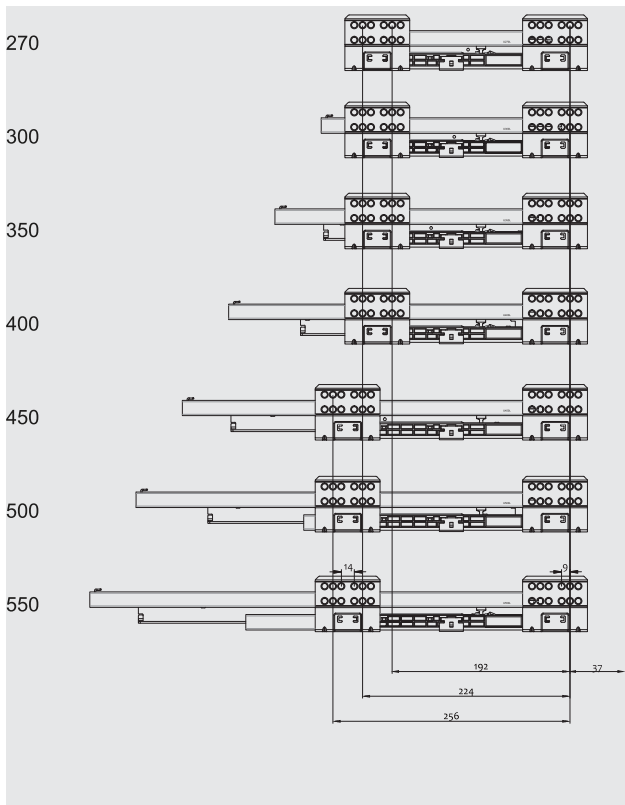
Mounting



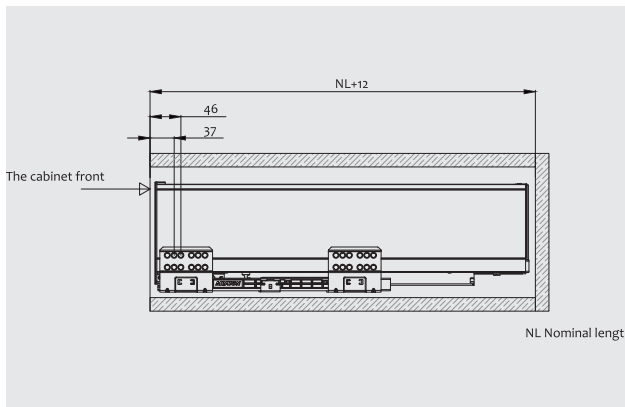
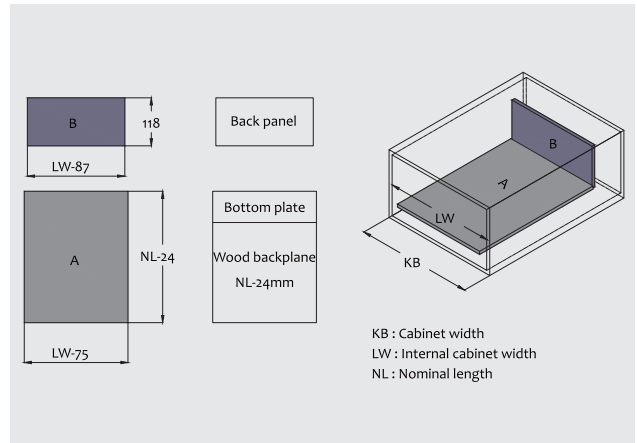
Internal front panel DIY cut



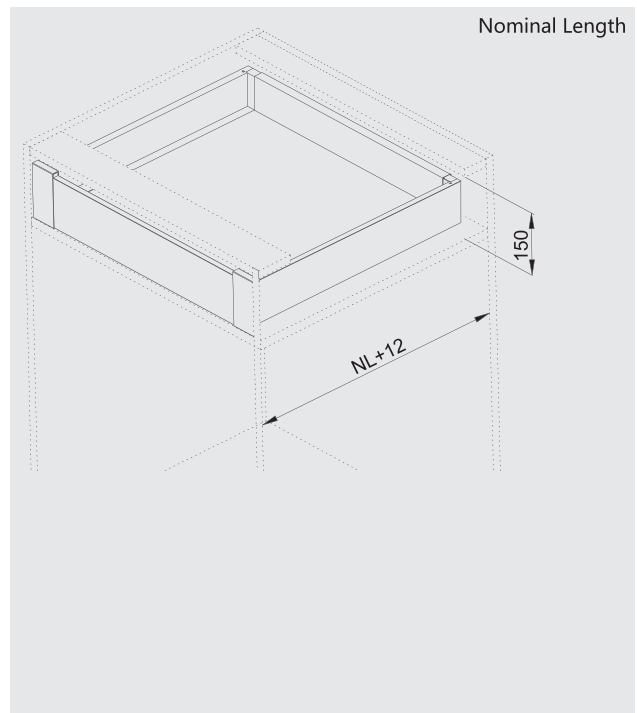
Drawer slide installation dimensions



Cutting dimensions for back panel



Space required



B

Slim Drawer System

SLIM DRAWER SYSTEM

SB1900 - B03

Inner box with extended front glass, height 118mm



B

Slim Drawer System

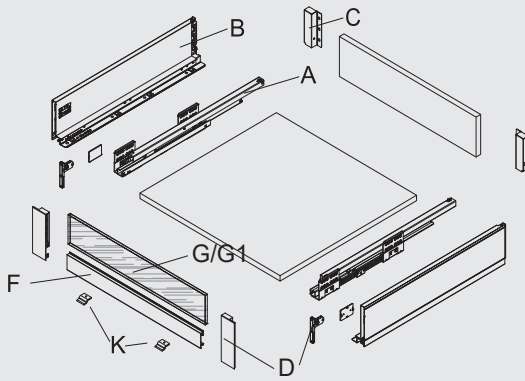


SOFT-CLOSE

- Inner drawer, height 118mm.
- Loading capacity: 40Kg.
- Wide range of depth from 270mm;300mm;350mm;400mm;450mm;500mm;550mm.
- 4 regular colors: Black(B), White(W), Dark grey(G), Light grey(O), custom-made colors acceptable.
- Front convenient fine adjustment mechanism integrated. Up & down ± 1.5 mm, left & right ± 1.5 mm.
- Synchronization mechanism of the slides stabilizes the sliding motion and eliminates noises from the living space.

Product information

Components view



A: SS1801-S

Drawer slide L/R

Material - SECC

Loading capacity: 40kg

Length: 270mm;300mm;350mm;400mm;450mm;500mm;550mm.



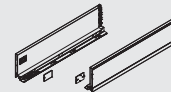
B: SS1900-B118

Side wall L/R

Material - cold-rolled steel

Color - Match for set color

Length: 270mm;300mm;350mm;400mm;450mm;500mm;550mm.



C: SS1900-L118

Back panel connector L/R

Material - cold-rolled steel

Color - Match for set color

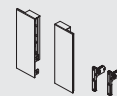


D: SS1900-F118G

Inner drawer front connector (GLASS) L/R

Material - cold-rolled steel + plastic

Color - Match for set color



F: SS1900-04

Inner drawer front panel

Material - aluminium

Color - Match for set color

Automatically cut - the cabinet body width LW - 98

Length: 600mm;800mm;900mm;1000mm;1200mm



G: SS1900-20-B

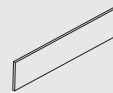
Inner drawer extended front panel

Material - aluminium

Color - Match for set color

Automatically cut - the cabinet body width LW - 85

Length: 600mm;800mm;900mm;1000mm;1200mm



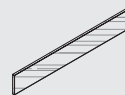
SS1900-20-BS/ SS1900-20-BT

Inner drawer extended front glass

Material - glass

Color - transparent/Frosted

Length: 464mm;564mm;664mm;764mm



K: SS1800-37

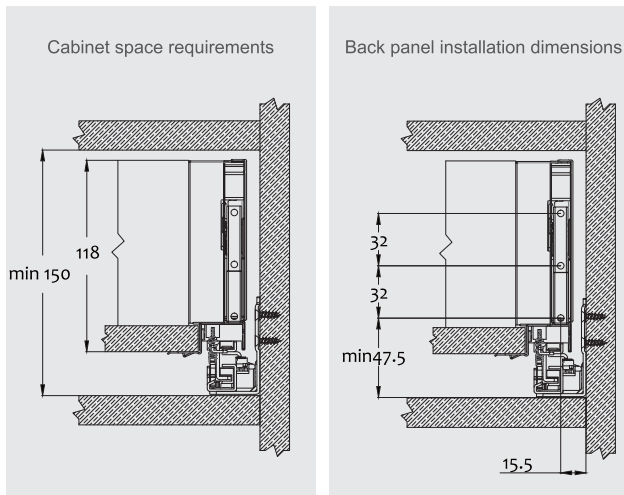
Front panel bracket to bottom panel

Material - plastic

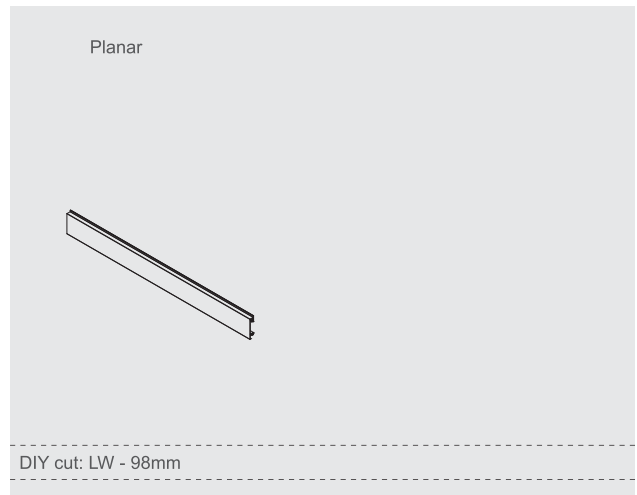
Color - Silver grey



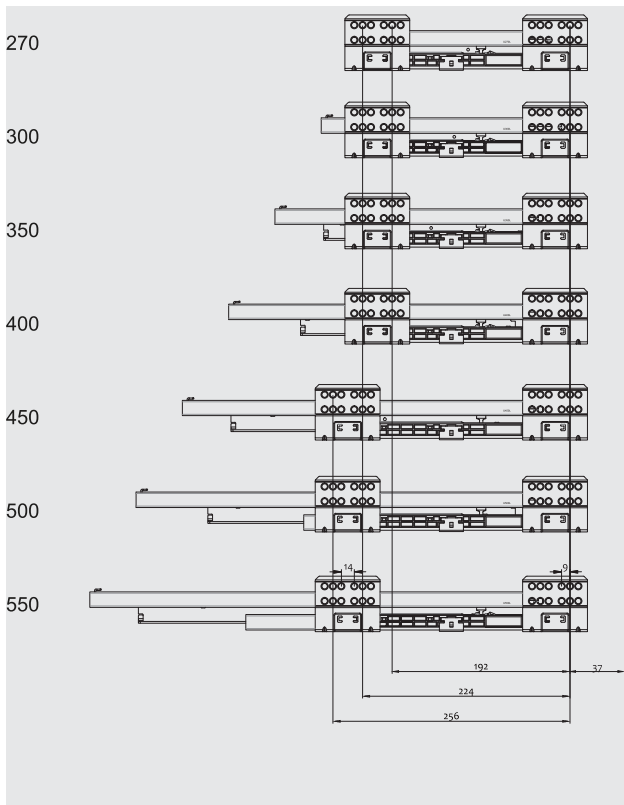
Mounting



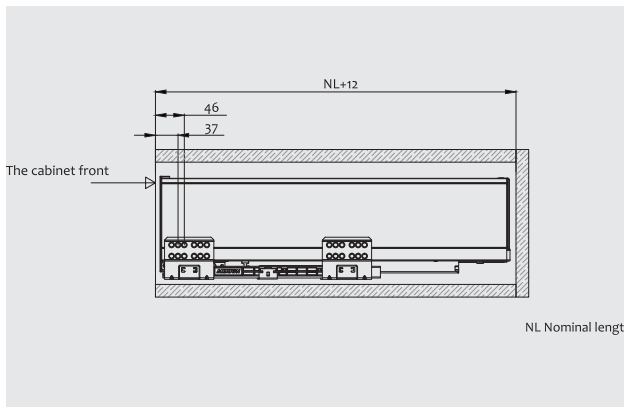
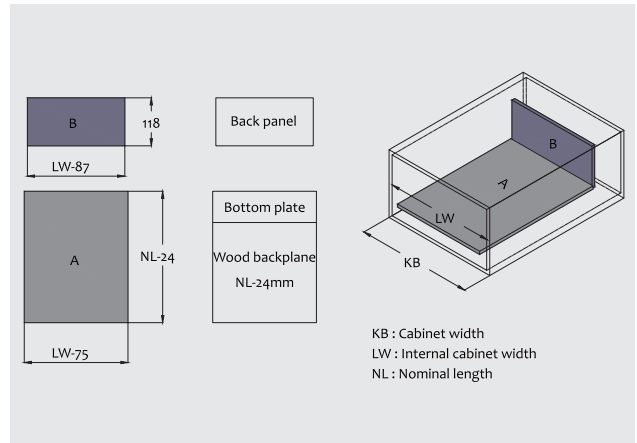
Internal front panel DIY cut



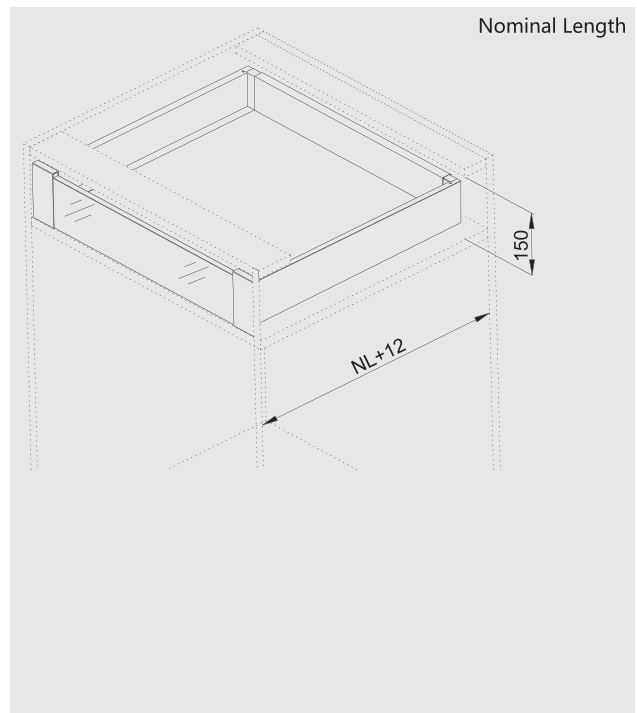
Drawer slide installation dimensions



Cutting dimensions for back panel



Space required



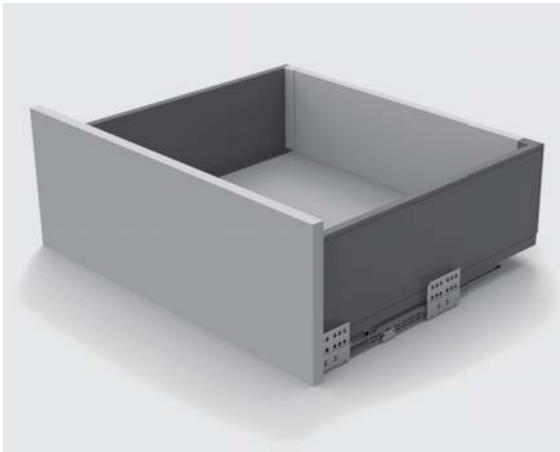
B

Slim Drawer System

SLIM DRAWER SYSTEM

SB1900 - C01

Slim box, height 167mm



SOFT-CLOSE

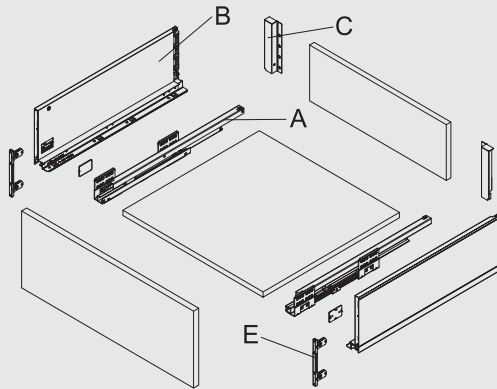
- Basic height, 167mm.
- Loading capacity: 40Kg.
- Wide range of depth from 270mm;300mm;350mm;400mm;450mm;500mm;550mm.
- 4 regular colors: Black(B), White(W), Dark grey(G), Light grey(O), custom-made colors acceptable.
- Front convenient fine adjustment mechanism integrated. Up & down ± 1.5 mm, left & right ± 1.5 mm.
- Synchronization mechanism of the slides stabilizes the sliding motion and eliminates noises from the living space.

B

Slim Drawer System

Product information

Components view



A: SS1801-S

Drawer slide L/R

Material - SECC

Loading capacity: 40kg

Length: 270mm;300mm;350mm;400mm;450mm;500mm;550mm.



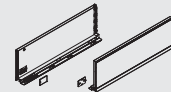
B: SS1900-B167

Side wall L/R

Material - cold-rolled steel

Color - Match for set color

Length: 270mm;300mm;350mm;400mm;450mm;500mm;550mm.

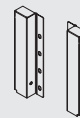


C: SS1900-L167

Back panel connector L/R

Material - cold-rolled steel

Color - Match for set color



E: SS1900-TC1

Front connector

Material - SECC + plastic

SS1900-TC2

Clip on front connector

Material - SECC + plastic

SS1900-TC5

Front connector

Material - SECC

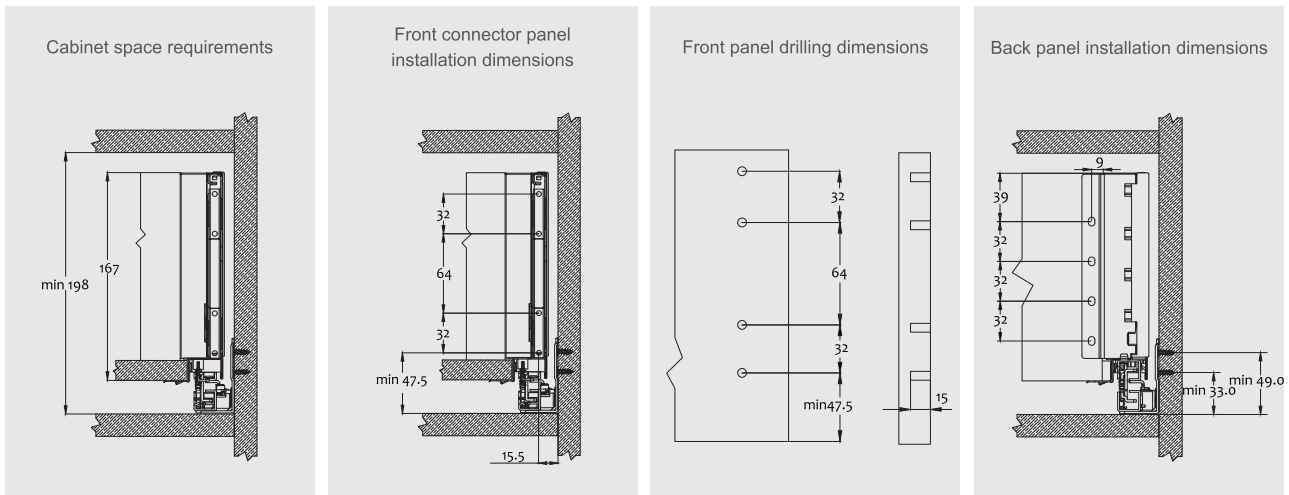
SS1900-TC6

Clip on front connector

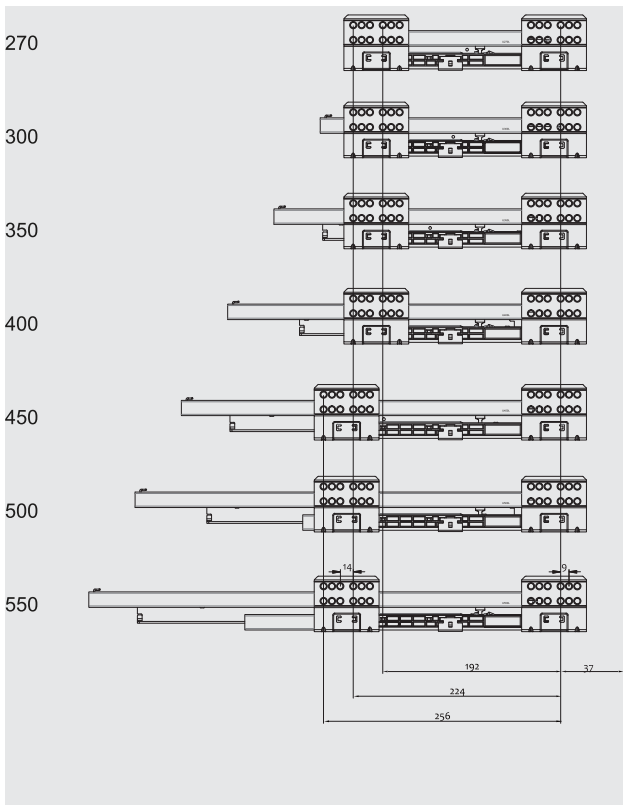
Material - SECC



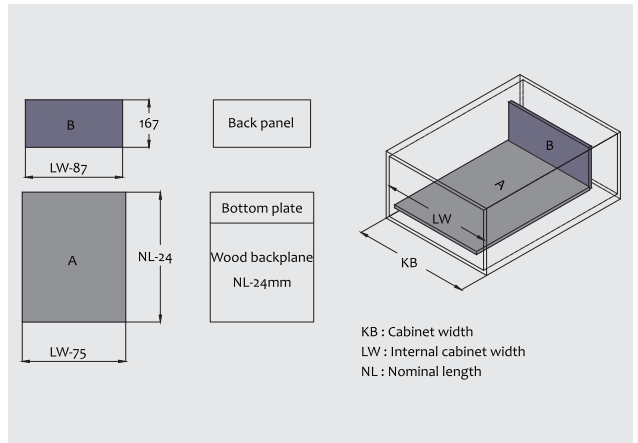
Mounting



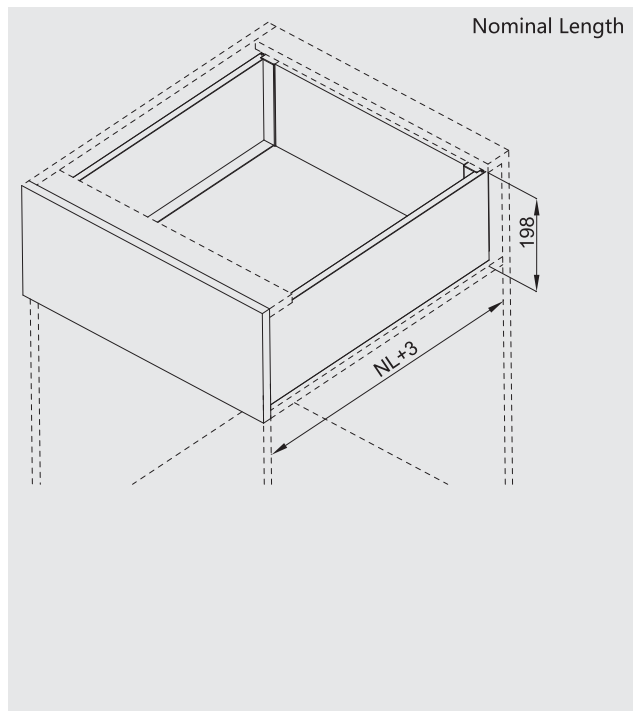
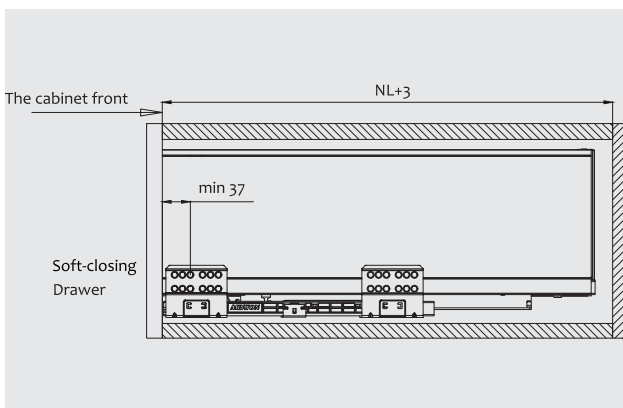
Drawer slide installation dimensions



Cutting dimensions for back panel



Space required



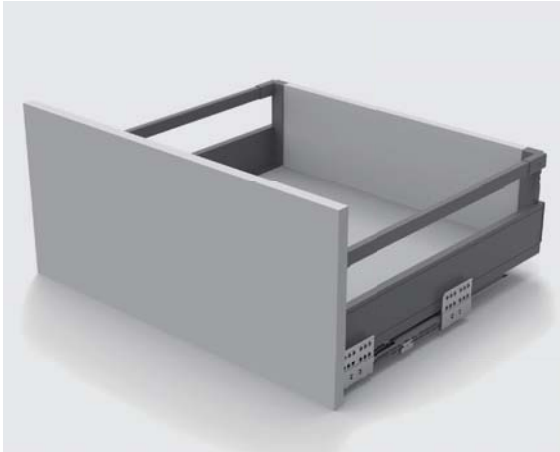
B

Slim Drawer System

SLIM DRAWER SYSTEM

SB1900 - C02

Slim box with extended side square railings, height 167mm



SOFT-CLOSE

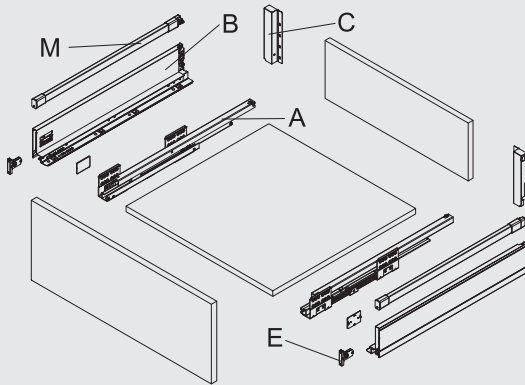
- Basic + rectangular side railings, height 167mm.
- Loading capacity: 40Kg.
- Wide range of depth from 270mm;300mm;350mm;400mm;450mm;500mm;550mm.
- 4 regular colors: Black(B), White(W), Dark grey(G), Light grey(O), custom-made colors acceptable.
- Front convenient fine adjustment mechanism integrated. Up & down ± 1.5 mm, left & right ± 1.5 mm.
- Synchronization mechanism of the slides stabilizes the sliding motion and eliminates noises from the living space.

B

Slim Drawer System

Product information

Components view



A: SS1801-S

Drawer slide L/R

Material - SECC

Loading capacity: 40kg

Length: 270mm;300mm;350mm;400mm;450mm;500mm;550mm.



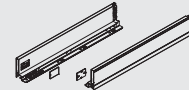
B: SS1900-B86

Side wall L/R

Material - cold-rolled steel

Color - Match for set color

Length: 270mm;300mm;350mm;400mm;450mm;500mm;550mm.



C: SS1900-L167K

Back panel connector (square railings) L/R

Material - cold-rolled steel

Color - Match for set color



E: SS1900-TC1

Front connector

Material - SECC + plastic



SS1900-TC2

Clip on front connector

Material - SECC + plastic



SS1900-TC5

Front connector

Material - SECC



SS1900-TC6

Clip on front connector

Material - SECC



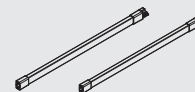
M: SS1801-12

Side square railings

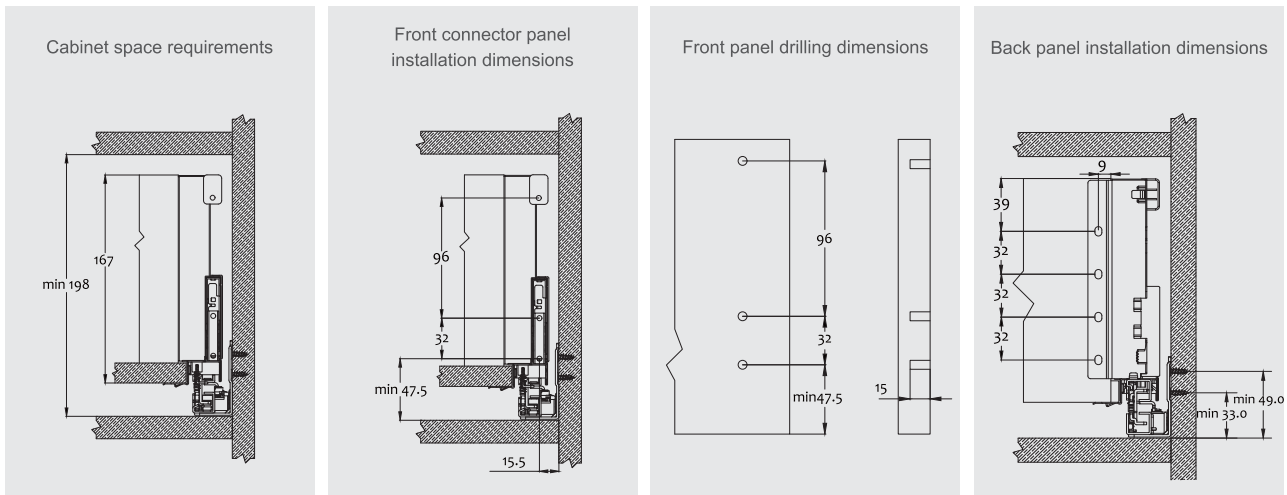
Material - aluminium + plastic

Color - Match for set color

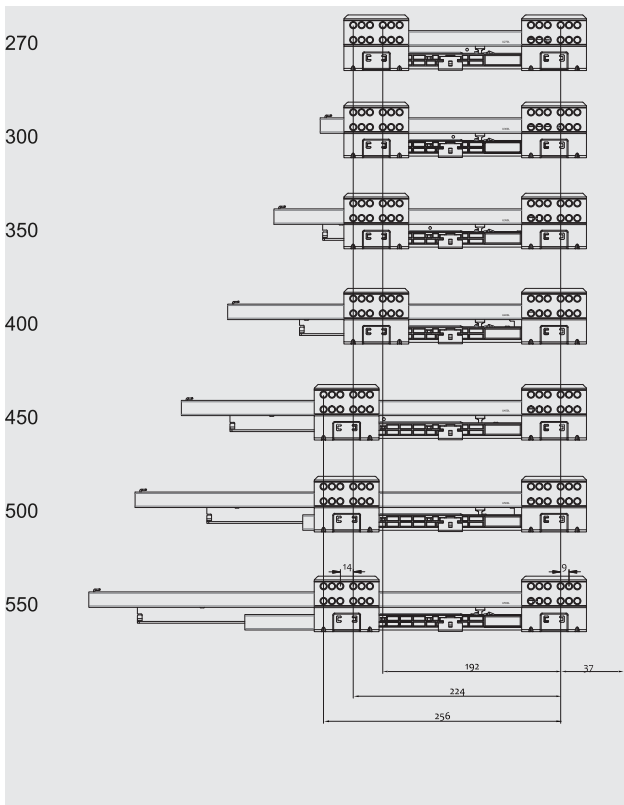
Length: 270mm;300mm;350mm;400mm;450mm;500mm;550mm.



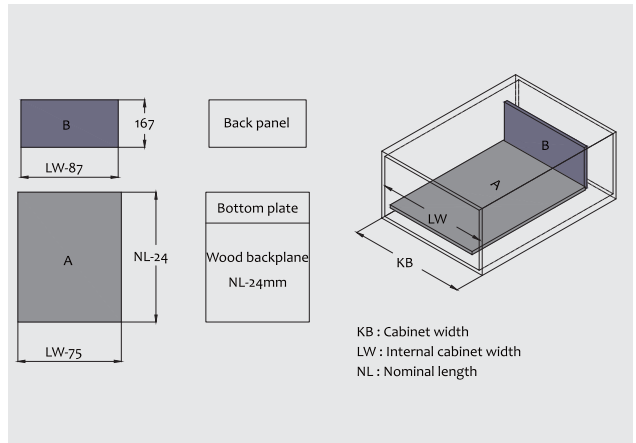
Mounting



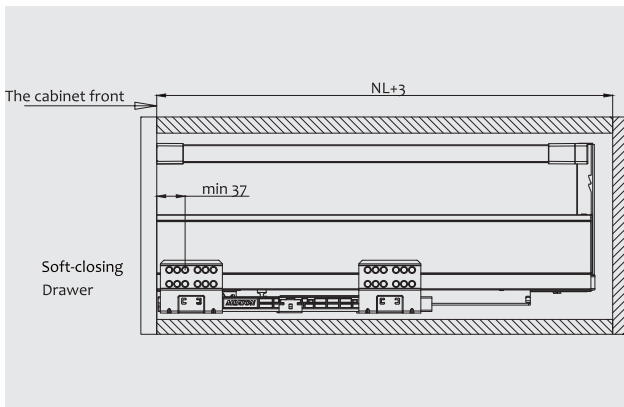
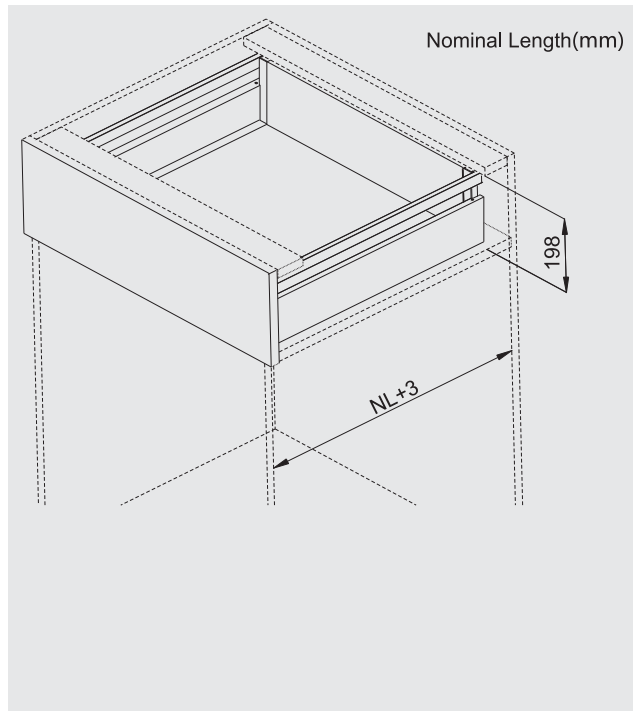
Drawer slide installation dimensions



Cutting dimensions for back panel



Space required



B

Slim Drawer System

SLIM DRAWER SYSTEM

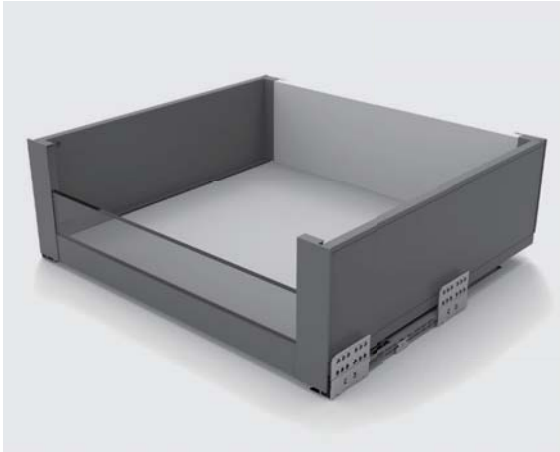
SB1900 - C03

Inner box with extended front low glass, height 167mm



B

Slim Drawer System

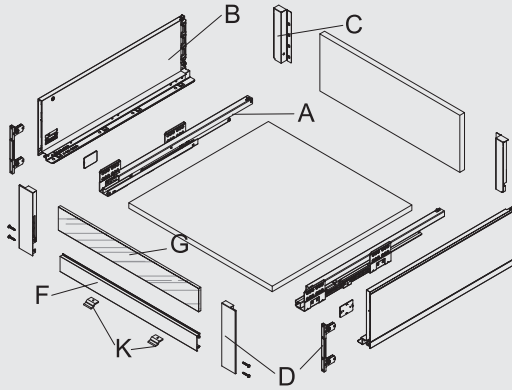


SOFT-CLOSE

- Inner drawer, height 167mm.
- Loading capacity: 40Kg.
- Wide range of depth from 270mm;300mm;350mm;400mm;450mm;500mm;550mm.
- 4 regular colors: Black(B), White(W), Dark grey(G), Light grey(O), custom-made colors acceptable.
- Front convenient fine adjustment mechanism integrated. Up & down ± 1.5 mm, left & right ± 1.5 mm.
- Synchronization mechanism of the slides stabilizes the sliding motion and eliminates noises from the living space.

Product information

Components view



A: SS1801-S

Drawer slide L/R

Material - SECC

Loading capacity: 40kg

Length: 270mm;300mm;350mm;400mm;450mm;500mm;550mm.



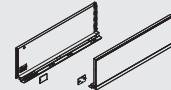
B: SS1900-B167

Side wall L/R

Material - cold-rolled steel

Color - Match for set color

Length: 270mm;300mm;350mm;400mm;450mm;500mm;550mm.

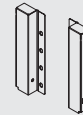


C: SS1900-L167

Back panel connector L/R

Material - cold-rolled steel

Color - Match for set color

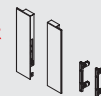


D: SS1900-F167L

Inner drawer front connector (low glass) L/R

Material - cold-rolled steel + plastic

Color - Match for set color



F: SS1900-04

Inner drawer front panel

Material - aluminium

Color - Match for set color

Automatically cut - the cabinet body width LW - 98

Length: 600mm;800mm;900mm;1000mm;1200mm



G: SS1900-20-C

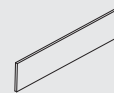
Inner drawer extended front panel

Material - aluminium

Color - Match for set color

Automatically cut - the cabinet body width LW - 85

Length: 600mm;800mm;900mm;1000mm;1200mm



SS1900-20-CS/ SS1900-20-CT

Inner drawer extended front glass

Material - glass

Color - transparent/Frosted

Length: 464mm;564mm;664mm;764mm



K: SS1800-37

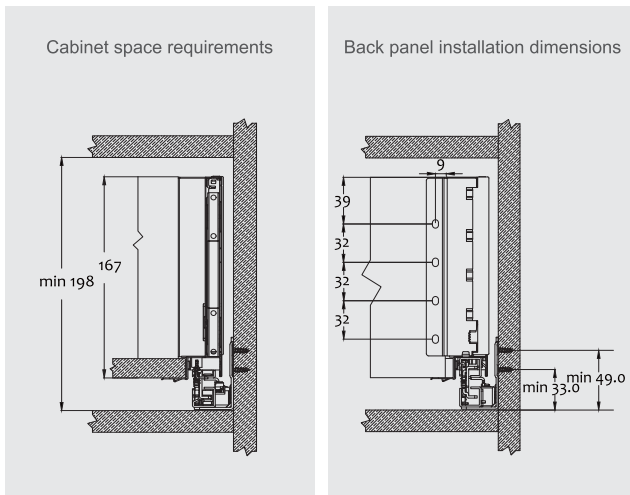
Front panel bracket to bottom panel

Material - plastic

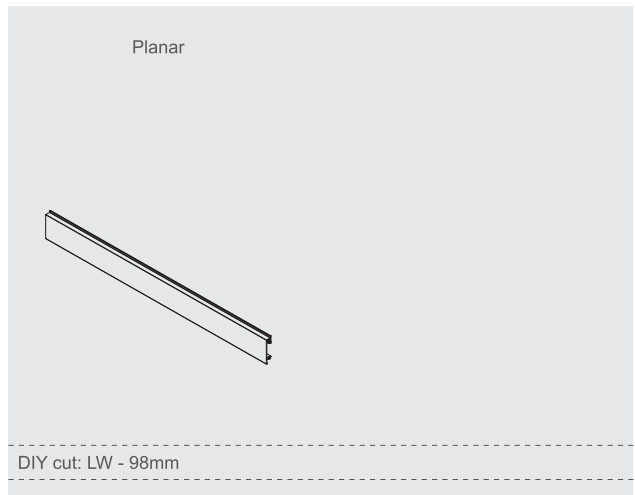
Color - Silver grey



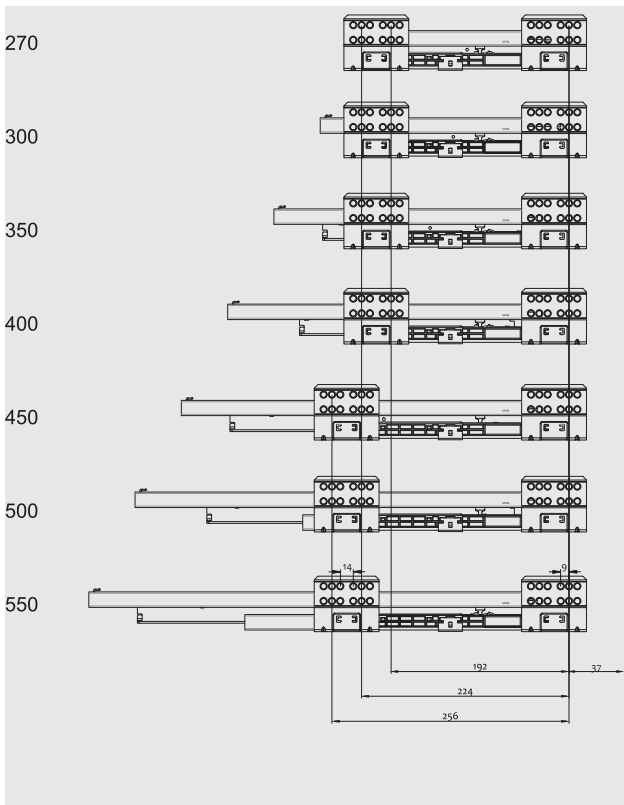
Mounting



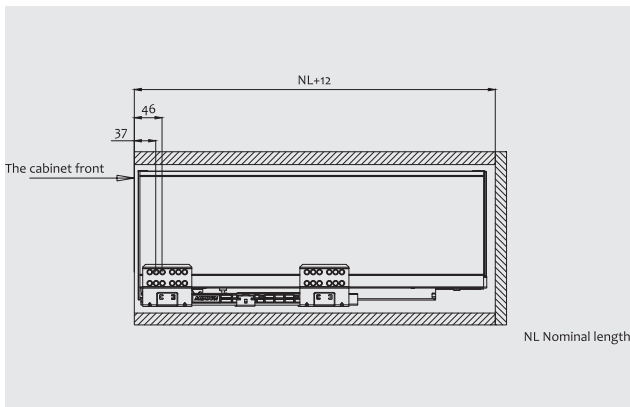
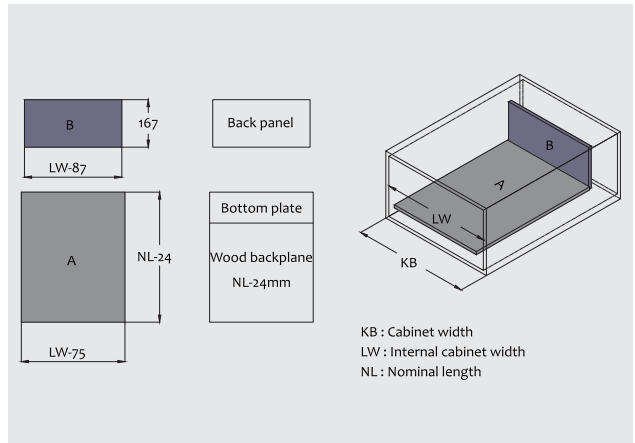
Internal front panel DIY cut



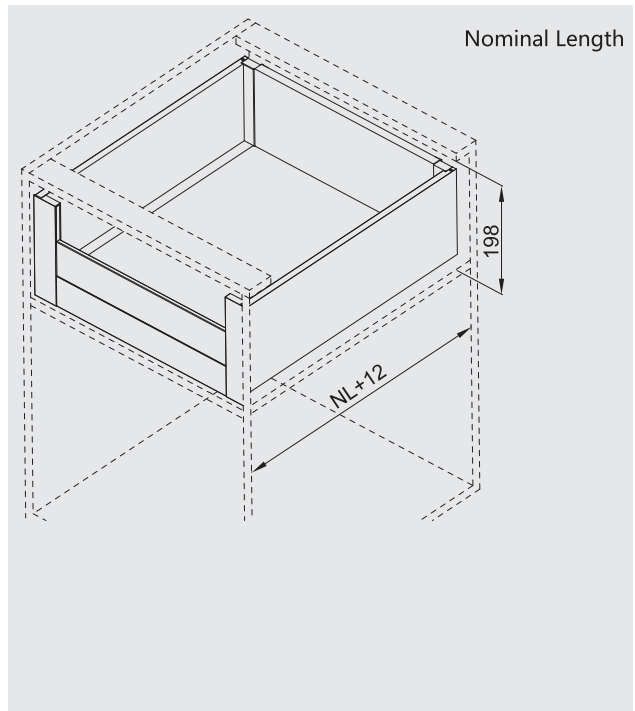
Drawer slide installation dimensions



Cutting dimensions for back panel



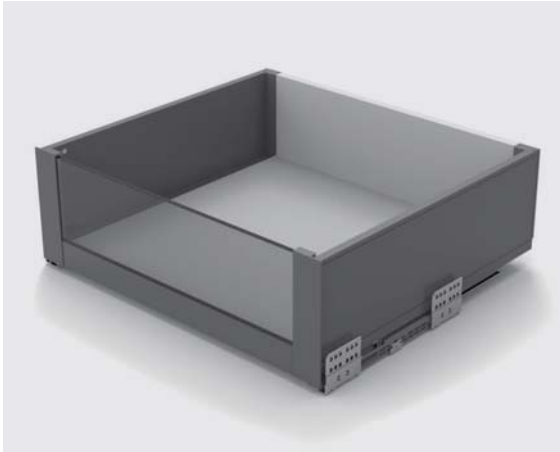
Space required



SLIM DRAWER SYSTEM

SB1900 - C04

Inner box with extended front tall glass, height 167mm



SOFT-CLOSE

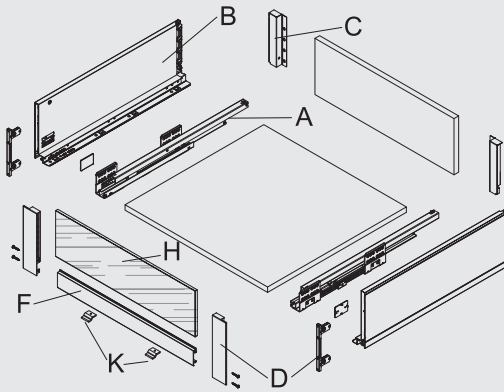
- Inner drawer, height 167mm.
- Loading capacity: 40Kg.
- Wide range of depth from 270mm;300mm;350mm;400mm;450mm;500mm;550mm.
- 4 regular colors: Black(B), White(W), Dark grey(G), Light grey(O), custom-made colors acceptable.
- Front convenient fine adjustment mechanism integrated. Up & down ± 1.5 mm, left & right ± 1.5 mm.
- Synchronization mechanism of the slides stabilizes the sliding motion and eliminates noises from the living space.

B

Slim Drawer System

Product information

Components view



A: SS1801-S

Drawer slide L/R

Material - SECC

Loading capacity: 40kg

Length: 270mm;300mm;350mm;400mm;450mm;500mm;550mm.



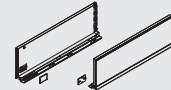
B: SS1900-B167

Side wall L/R

Material - cold-rolled steel

Color - Match for set color

Length: 270mm;300mm;350mm;400mm;450mm;500mm;550mm.

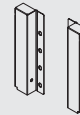


C: SS1900-L167

Back panel connector L/R

Material - cold-rolled steel

Color - Match for set color



D: SS1900-F167G

Inner drawer front connector (tall glass) L/R

Material - cold-rolled steel + plastic

Color - Match for set color



F: SS1900-04

Inner drawer front panel

Material - aluminium

Color - Match for set color

Automatically cut - the cabinet body width LW - 98

Length: 600mm;800mm;900mm;1000mm;1200mm



H: SS1900-21-C

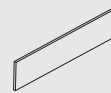
Inner drawer extended front panel

Material - aluminium

Color - Match for set color

Automatically cut - the cabinet body width LW - 85

Length: 600mm;800mm;900mm;1000mm;1200mm



SS1900-21-CS/ SS1900-21-CT

Inner drawer extended front glass

Material - glass

Color - transparent/Frosted

Length: 464mm;564mm;664mm;764mm



K: SS1800-37

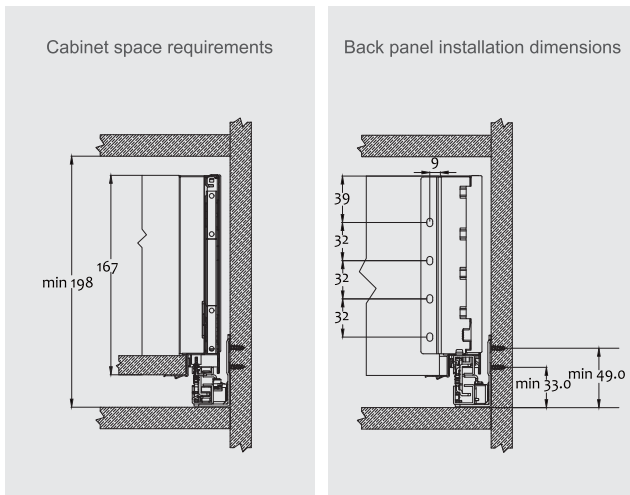
Front panel bracket to bottom panel

Material - plastic

Color - Silver grey



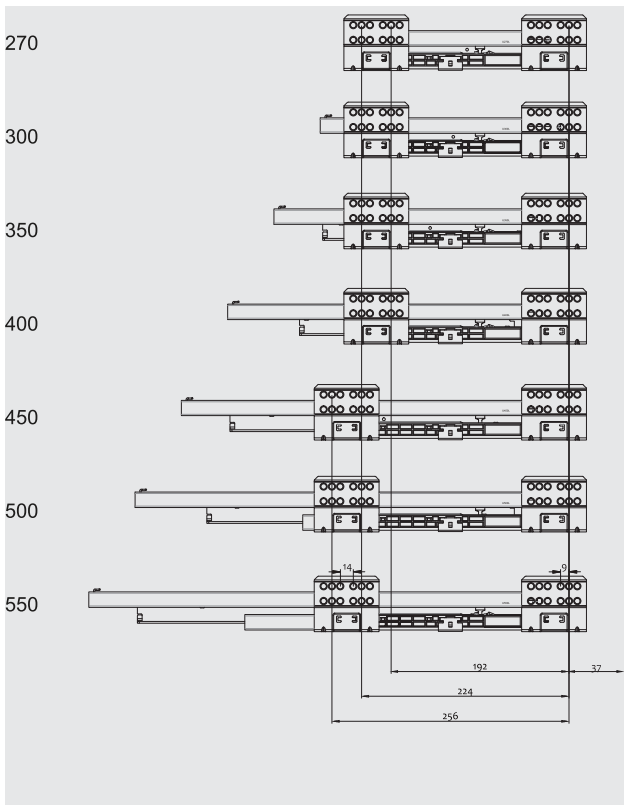
Mounting



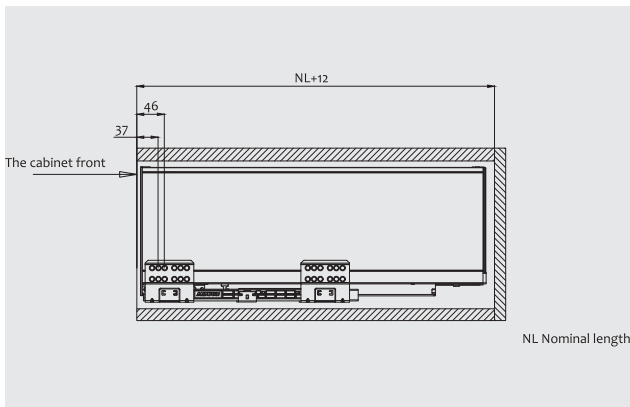
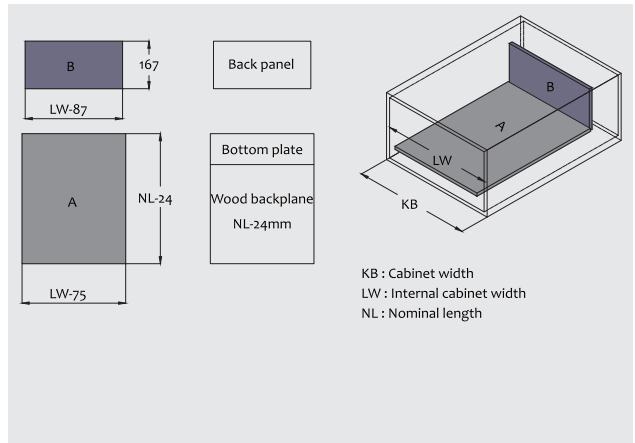
Internal front panel DIY cut



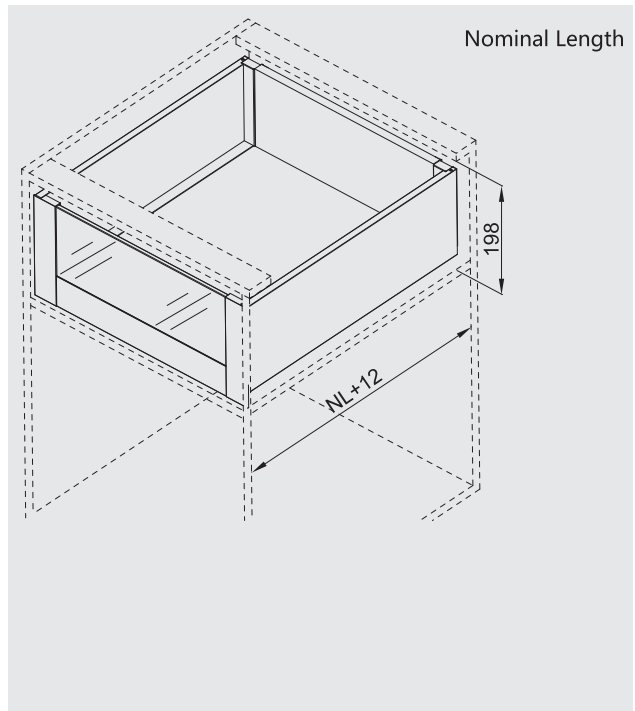
Drawer slide installation dimensions



Cutting dimensions for back panel



Space required



B
Slim Drawer System

SLIM DRAWER SYSTEM

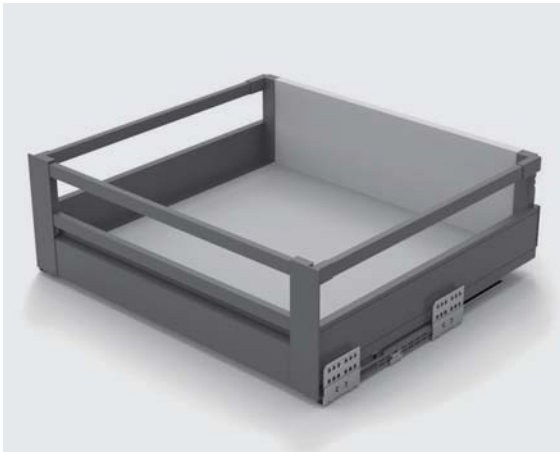
SB1900 - C05/ SB1900 - C05H

Inner box with side square railings and front panel square railing, height 167mm



B

Slim Drawer System

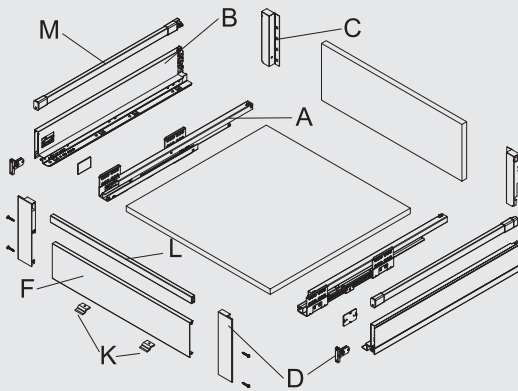


SOFT-CLOSE

- Inner drawer, height 167mm.
- Loading capacity: 40Kg.
- Wide range of depth from 270mm;300mm;350mm;400mm;450mm;500mm;550mm.
- 4 regular colors: Black(B), White(W), Dark grey(G), Light grey(O), custom-made colors acceptable.
- Front convenient fine adjustment mechanism integrated. Up & down ± 1.5 mm, left & right ± 1.5 mm.
- Synchronization mechanism of the slides stabilizes the sliding motion and eliminates noises from the living space.

Product information

Components view



A: SS1801-S

Drawer slide L/R

Material - SECC

Loading capacity: 40kg

Length: 270mm;300mm;350mm;400mm;450mm;500mm;550mm.



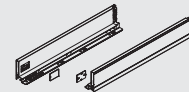
B: SS1900-B86

Side wall L/R

Material - cold-rolled steel

Color - Match for set color

Length: 270mm;300mm;350mm;400mm;450mm;500mm;550mm.



C: SS1900-L167K

Back panel connector (square railings) L/R

Material - cold-rolled steel

Color - Match for set color

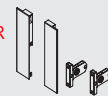


D: SS1900-F167D

Inner drawer front connector (square railing) L/R

Material - cold-rolled steel + plastic

Color - Match for set color

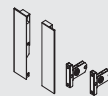


SS1900-F167DH

Inner drawer front connector (handle) L/R

Material - cold-rolled steel + plastic

Color - Match for set color



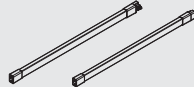
M: SS1801-12

Side square railings

Material - aluminium + plastic

Color - Match for set color

Length: 270mm;300mm;350mm;400mm;450mm;500mm;550mm.



L: S52932

Front square railing

Material - aluminium

Color - Match for set color

Automatically cut - the cabinet body width LW - 85

Length: 600mm;800mm;900mm;1000mm;1200mm

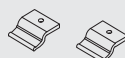


K: SS1800-37

Front panel bracket to bottom panel

Material - plastic

Color - Silver grey



F: SS1800-04

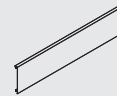
Inner drawer front panel

Material - aluminium

Color - Match for set color

Automatically cut - the cabinet body width LW - 98

Length: 600mm;800mm;900mm;1000mm;1200mm



SS1800-04H

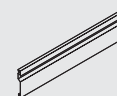
Inner drawer front panel (handle)

Material - aluminium

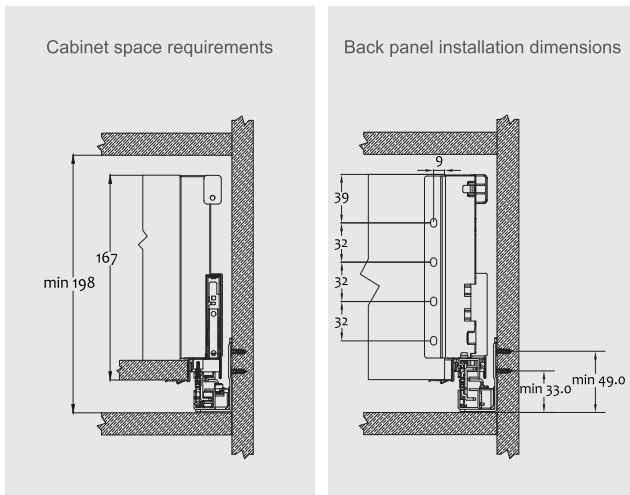
Color - Match for set color

Automatically cut - the cabinet body width LW - 98

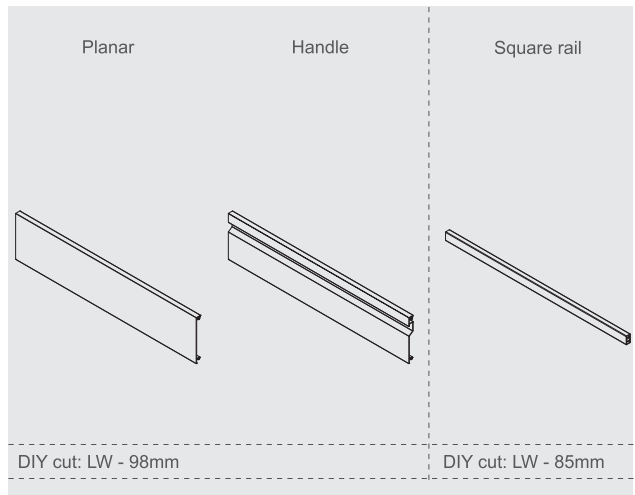
Length: 600mm;800mm;900mm;1000mm;1200mm



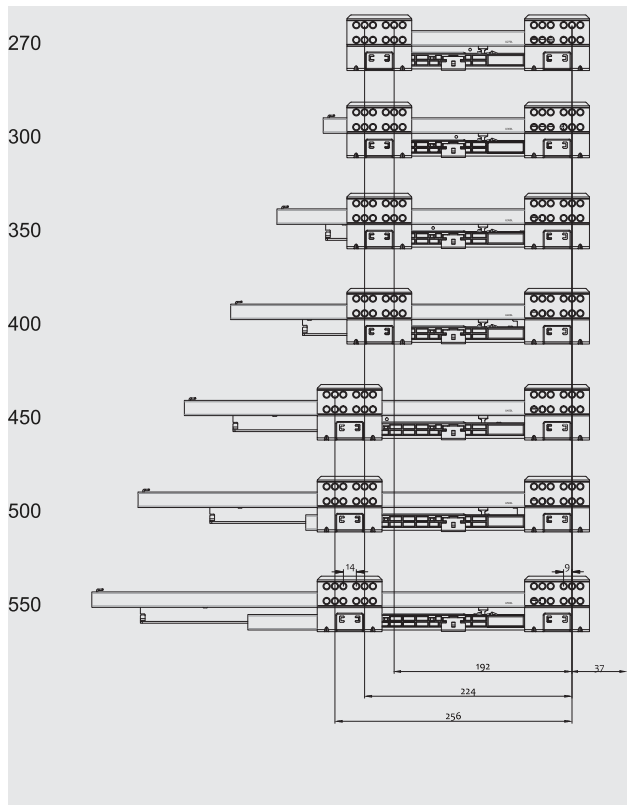
Mounting



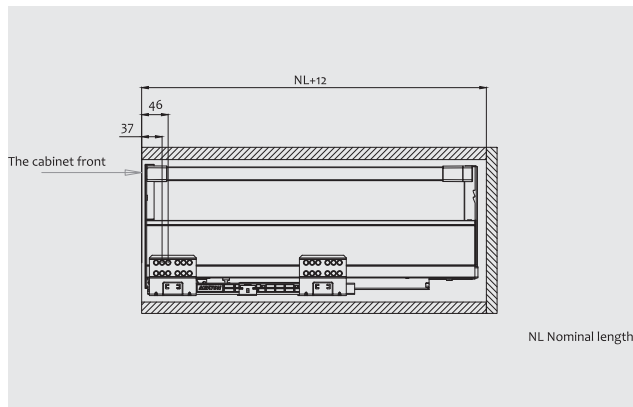
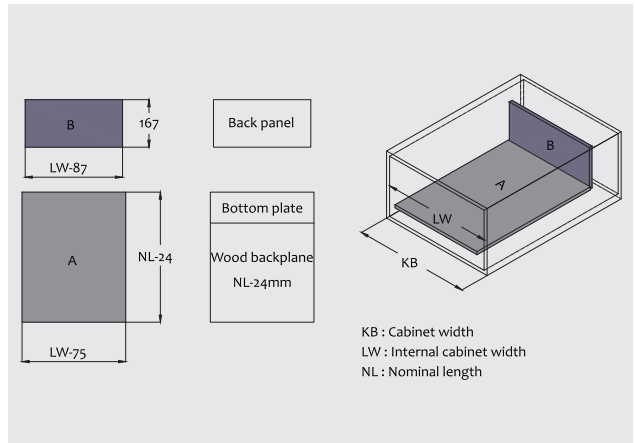
Internal front panel DIY cut



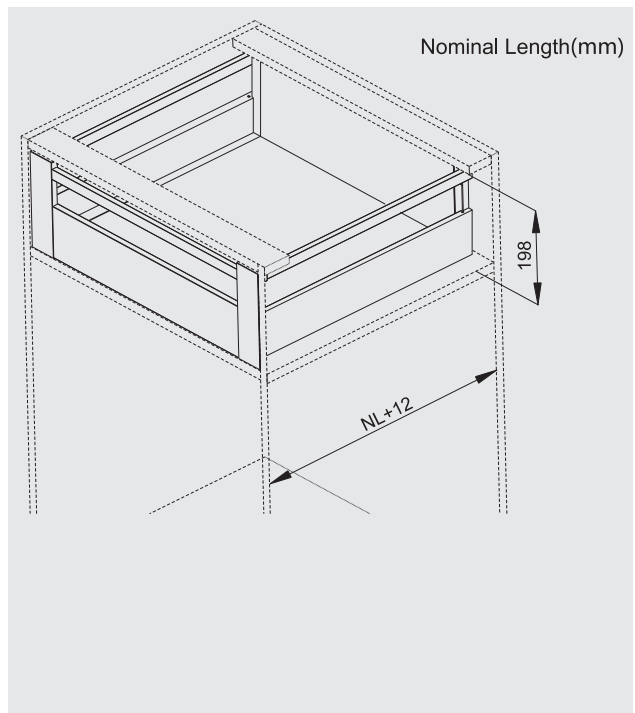
Drawer slide installation dimensions



Cutting dimensions for back panel



Space required



SLIM DRAWER SYSTEM

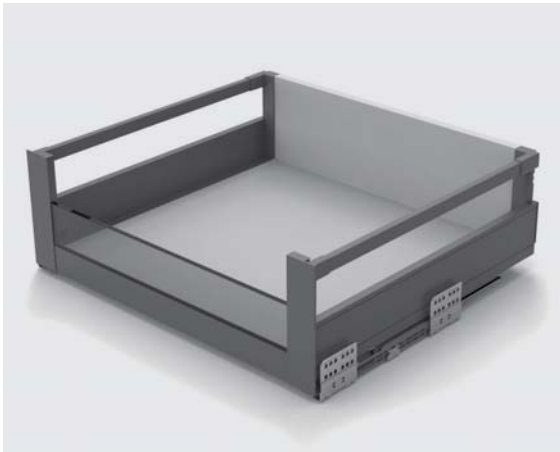
SB1900 - C06

Inner box with side square railings and extended front low glass, height 167mm



B

Slim Drawer System

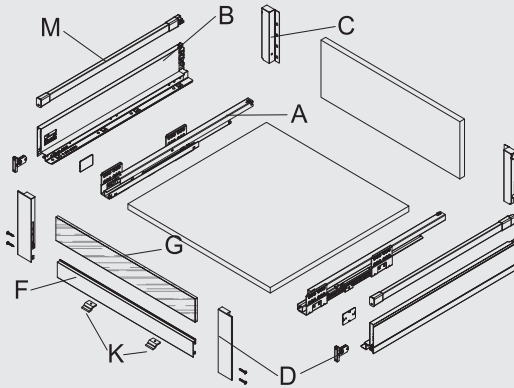


SOFT-CLOSE

- Inner drawer, height 167mm.
- Loading capacity: 40Kg.
- Wide range of depth from 270mm;300mm;350mm;400mm;450mm;500mm;550mm.
- 4 regular colors: Black(B), White(W), Dark grey(G), Light grey(O), custom-made colors acceptable.
- Front convenient fine adjustment mechanism integrated. Up & down ± 1.5 mm, left & right ± 1.5 mm.
- Synchronization mechanism of the slides stabilizes the sliding motion and eliminates noises from the living space.

Product information

Components view



A: SS1801-S

Drawer slide L/R

Material - SECC

Loading capacity: 40kg

Length: 270mm;300mm;350mm;400mm;450mm;500mm;550mm.



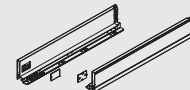
B: SS1900-B86

Side wall L/R

Material - cold-rolled steel

Color - Match for set color

Length: 270mm;300mm;350mm;400mm;450mm;500mm;550mm.



C: SS1900-L167K

Back panel connector (square railings) L/R

Material - cold-rolled steel

Color - Match for set color

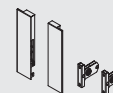


D: SS1900-F167K

Inner drawer front connector (low glass) L/R

Material - cold-rolled steel + plastic

Color - Match for set color



F: SS1900-04

Inner drawer front panel

Material - aluminium

Color - Match for set color

Automatically cut - the cabinet body width LW - 98

Length: 600mm;800mm;900mm;1000mm;1200mm



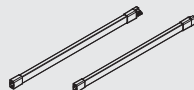
M: SS1801-12

Side square railings

Material - aluminium + plastic

Color - Match for set color

Length: 270mm;300mm;350mm;400mm;450mm;500mm;550mm.



K: SS1800-37

Front panel bracket to bottom panel

Material - plastic

Color - Silver grey



G: SS1900-20-C

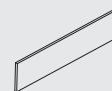
Inner drawer extended front panel

Material - aluminium

Color - Match for set color

Automatically cut - the cabinet body width LW - 85

Length: 600mm;800mm;900mm;1000mm;1200mm



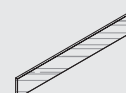
SS1900-20-CS/ SS1900-20-CT

Inner drawer extended front glass

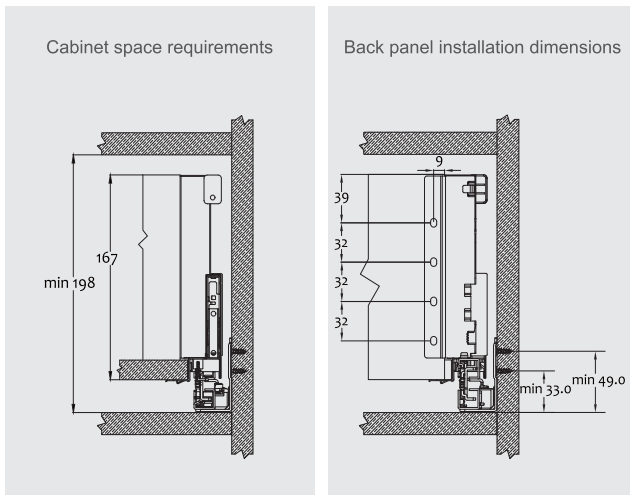
Material - glass

Color - transparent/Frosted

Length: 464mm;564mm;664mm;764mm



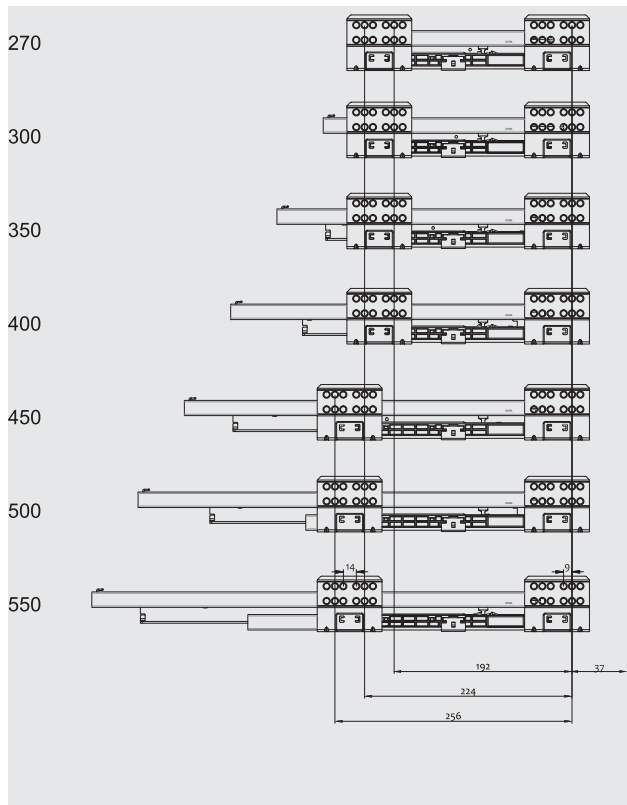
Mounting



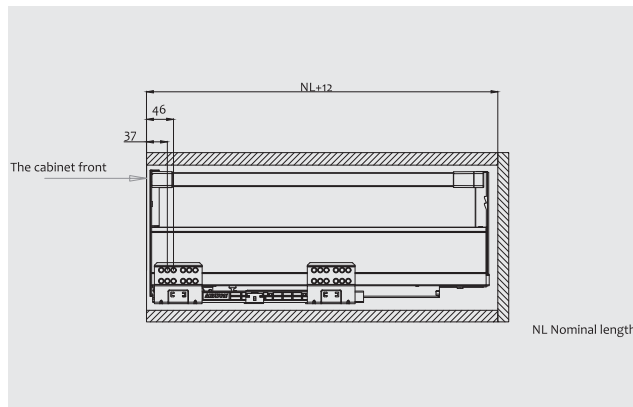
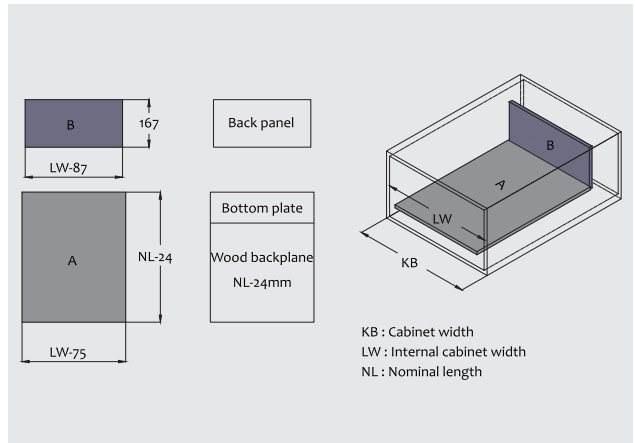
Internal front panel DIY cut



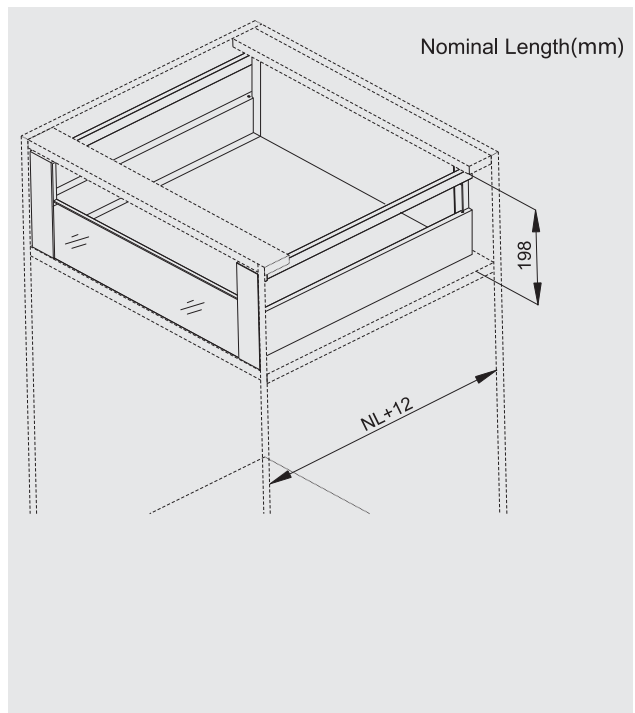
Drawer slide installation dimensions



Cutting dimensions for back panel



Space required



B

Slim Drawer System

SLIM DRAWER SYSTEM

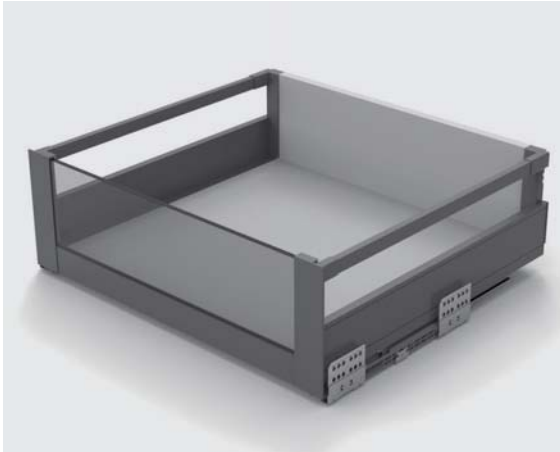
SB1900 - C07

Inner box with side square railings and extended front tall glass, height 167mm



B

Slim Drawer System

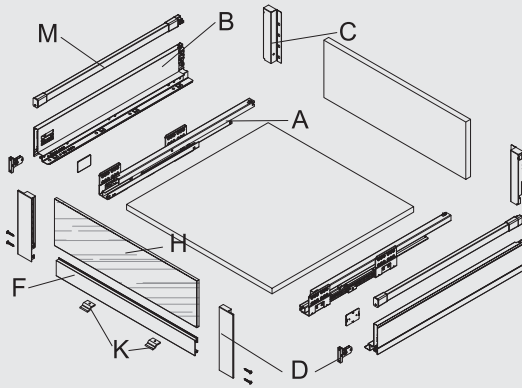


SOFT-CLOSE

- Inner drawer, height 167mm.
- Loading capacity: 40Kg.
- Wide range of depth from 270mm;300mm;350mm;400mm;450mm;500mm;550mm.
- 4 regular colors: Black(B), White(W), Dark grey(G), Light grey(O), custom-made colors acceptable.
- Front convenient fine adjustment mechanism integrated. Up & down ± 1.5 mm, left & right ± 1.5 mm.
- Synchronization mechanism of the slides stabilizes the sliding motion and eliminates noises from the living space.

Product information

Components view



A: SS1801-S

Drawer slide L/R

Material - SECC

Loading capacity: 40kg

Length: 270mm;300mm;350mm;400mm;450mm;500mm;550mm.



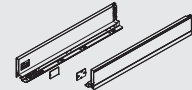
B: SS1900-B86

Side wall L/R

Material - cold-rolled steel

Color - Match for set color

Length: 270mm;300mm;350mm;400mm;450mm;500mm;550mm.



C: SS1900-L167K

Back panel connector (square railings) L/R

Material - cold-rolled steel

Color - Match for set color

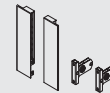


D: SS1900-F167GK

Inner drawer front connector (tall glass) L/R

Material - cold-rolled steel + plastic

Color - Match for set color



F: SS1900-04

Inner drawer front panel

Material - aluminium

Color - Match for set color

Automatically cut - the cabinet body width LW - 98

Length: 600mm;800mm;900mm;1000mm;1200mm



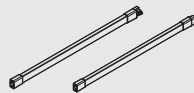
M: SS1801-12

Side square railings

Material - aluminium + plastic

Color - Match for set color

Length: 270mm;300mm;350mm;400mm;450mm;500mm;550mm.

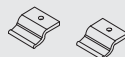


K: SS1800-37

Front panel bracket to bottom panel

Material - plastic

Color - Silver grey



H: SS1900-21-C

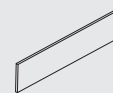
Inner drawer extended front panel

Material - aluminium

Color - Match for set color

Automatically cut - the cabinet body width LW - 85

Length: 600mm;800mm;900mm;1000mm;1200mm



SS1900-21-CS/ SS1900-21-CT

Inner drawer extended front glass

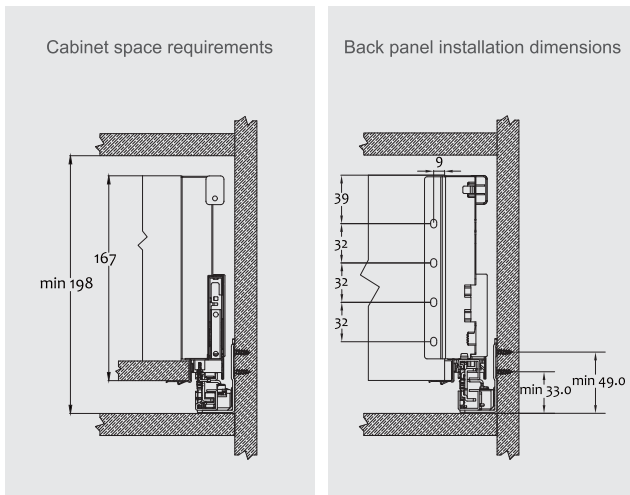
Material - glass

Color - transparent/Frosted

Length: 464mm;564mm;664mm;764mm



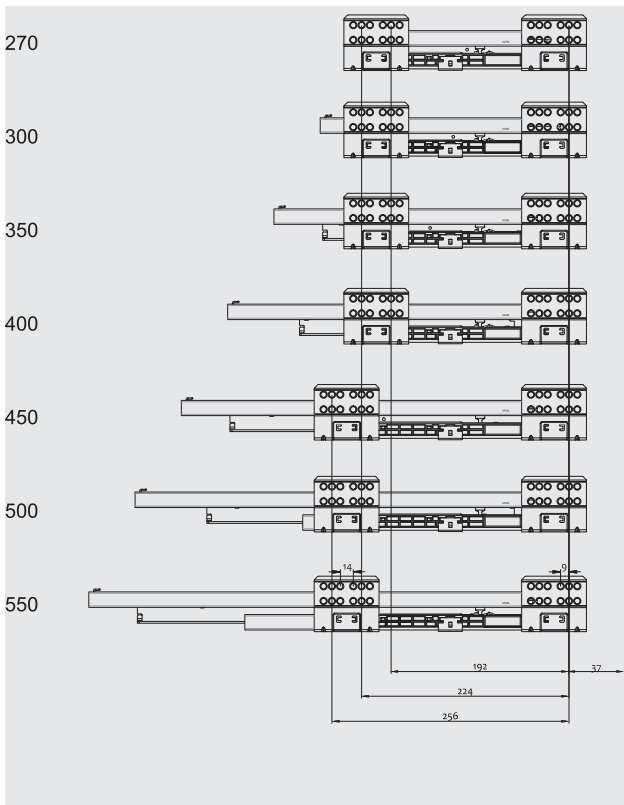
Mounting



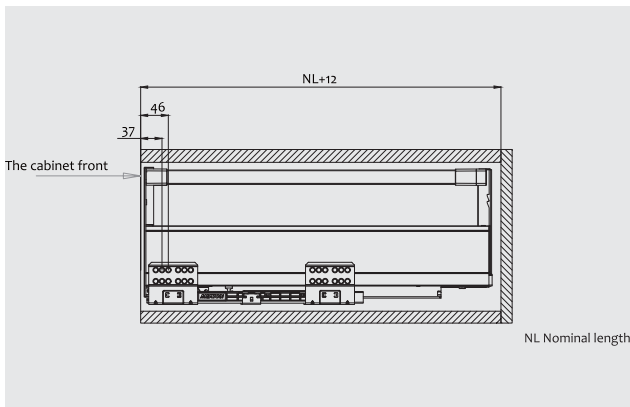
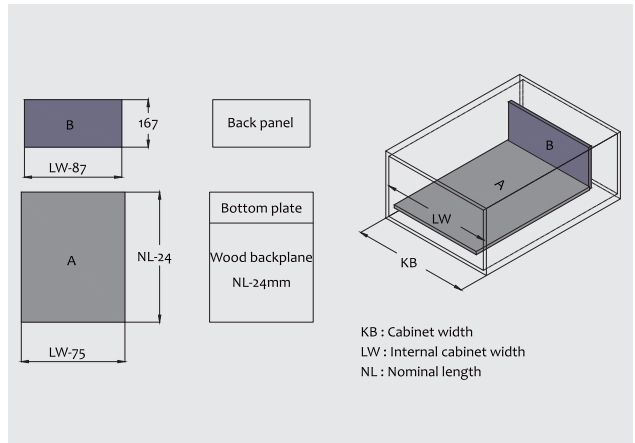
Internal front panel DIY cut



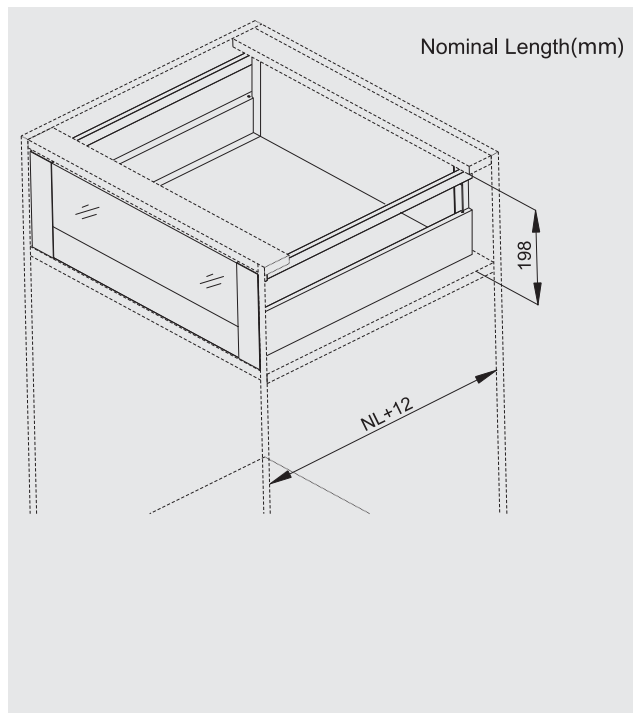
Drawer slide installation dimensions



Cutting dimensions for back panel



Space required



B

Slim Drawer System

SLIM DRAWER SYSTEM

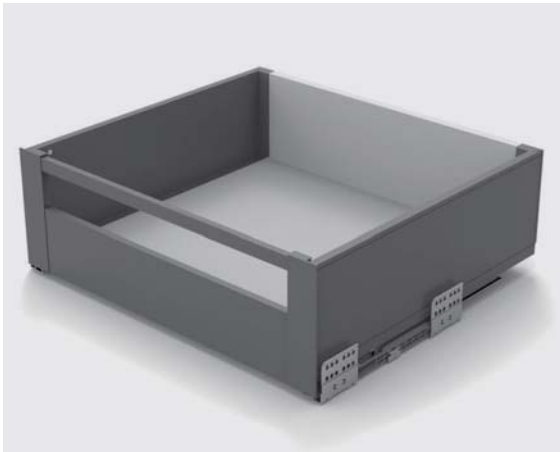
SB1900 - C08/ SB1900 - C08H

Inner box with front panel and square railing, height 167mm



B

Slim Drawer System

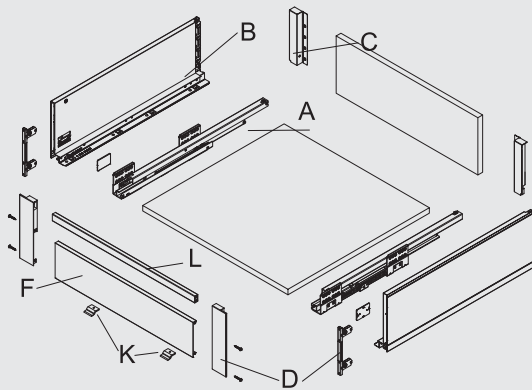


SOFT-CLOSE

- Inner drawer, height 167mm.
- Loading capacity: 40Kg.
- Wide range of depth from 270mm;300mm;350mm;400mm;450mm;500mm;550mm.
- 4 regular colors: Black(B), White(W), Dark grey(G), Light grey(O), custom-made colors acceptable.
- Front convenient fine adjustment mechanism integrated. Up & down ± 1.5 mm, left & right ± 1.5 mm.
- Synchronization mechanism of the slides stabilizes the sliding motion and eliminates noises from the living space.

Product information

Components view



A: SS1801-S

Drawer slide L/R

Material - SECC

Loading capacity: 40kg

Length: 270mm;300mm;350mm;400mm;450mm;500mm;550mm.



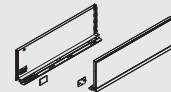
B: SS1900-B167

Side wall L/R

Material - cold-rolled steel

Color - Match for set color

Length: 270mm;300mm;350mm;400mm;450mm;500mm;550mm.

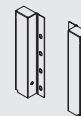


C: SS1900-L167

Back panel connector L/R

Material - cold-rolled steel

Color - Match for set color

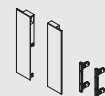


D: SS1900-F167

Inner drawer front connector (square railing) L/R

Material - cold-rolled steel + plastic

Color - Match for set color



SS1900-F167H

Inner drawer front connector (handle) L/R

Material - cold-rolled steel + plastic

Color - Match for set color



L: S52932

Front square railing

Material - aluminium

Color - Match for set color

Automatically cut - the cabinet body width LW - 85

Length: 600mm;800mm;900mm;1000mm;1200mm



K: SS1800-37

Front panel bracket to bottom panel

Material - plastic

Color - Silver grey



F: SS1800-04

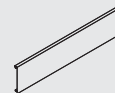
Inner drawer front panel

Material - aluminium

Color - Match for set color

Automatically cut - the cabinet body width LW - 98

Length: 600mm;800mm;900mm;1000mm;1200mm



SS1800-04H

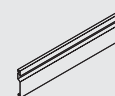
Inner drawer front panel (handle)

Material - aluminium

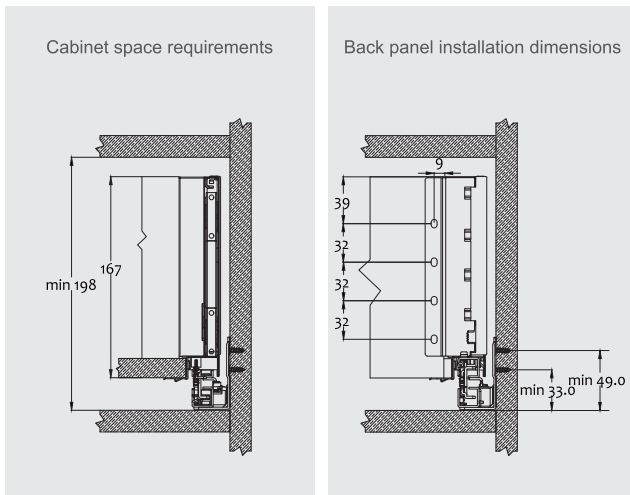
Color - Match for set color

Automatically cut - the cabinet body width LW - 98

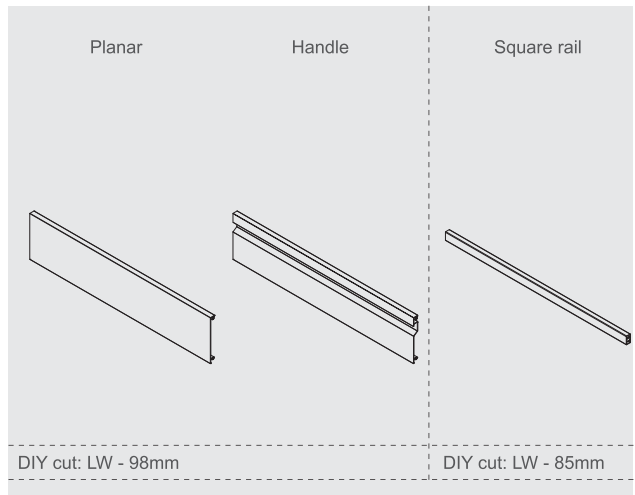
Length: 600mm;800mm;900mm;1000mm;1200mm



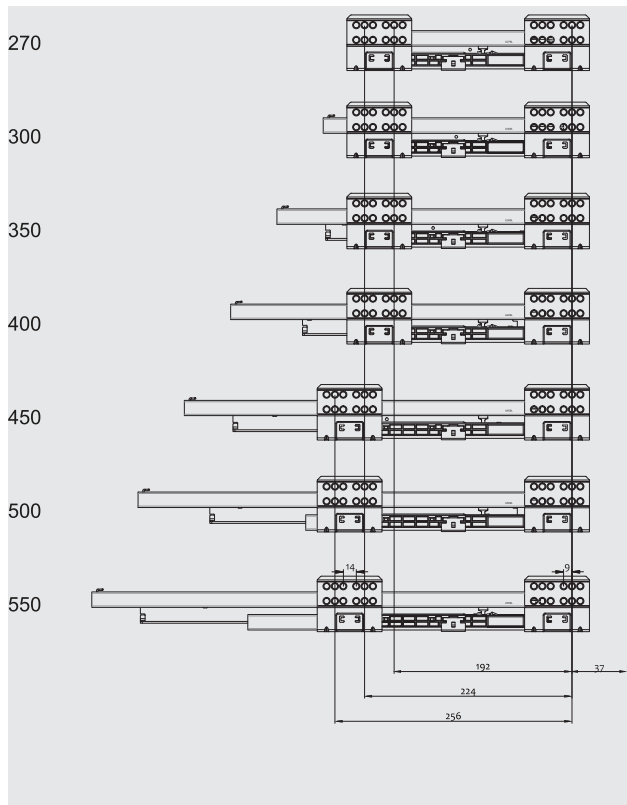
Mounting



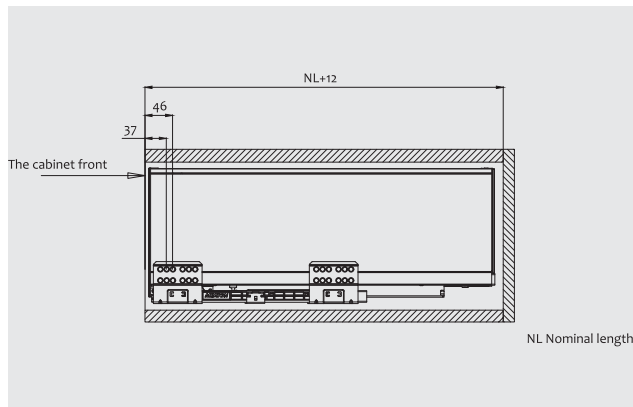
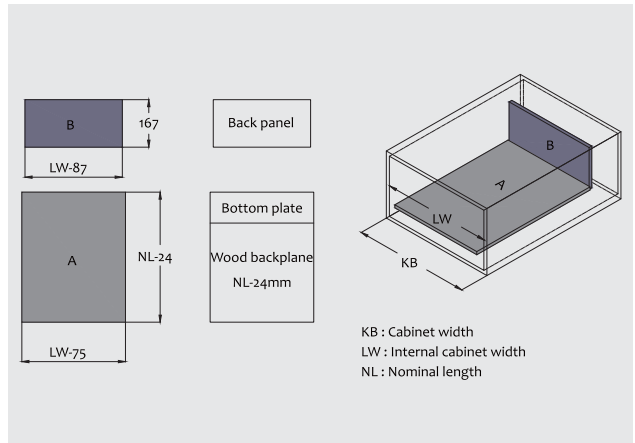
Internal front panel DIY cut



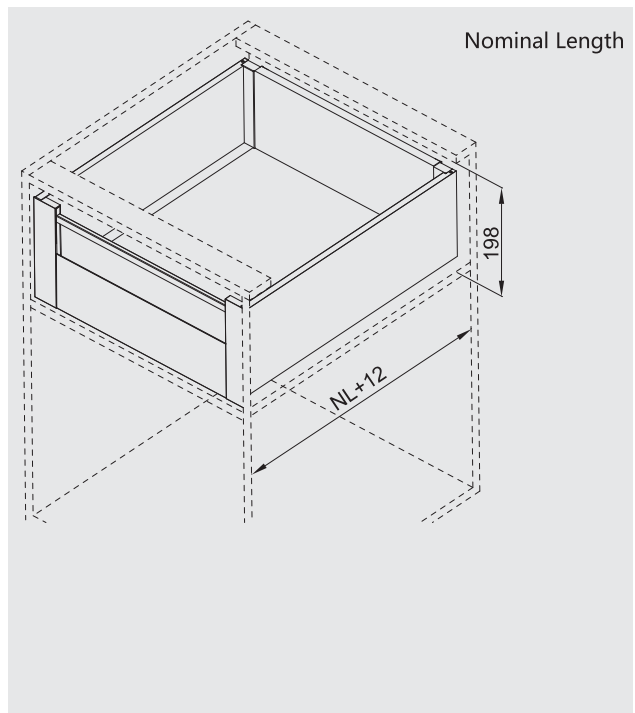
Drawer slide installation dimensions



Cutting dimensions for back panel



Space required



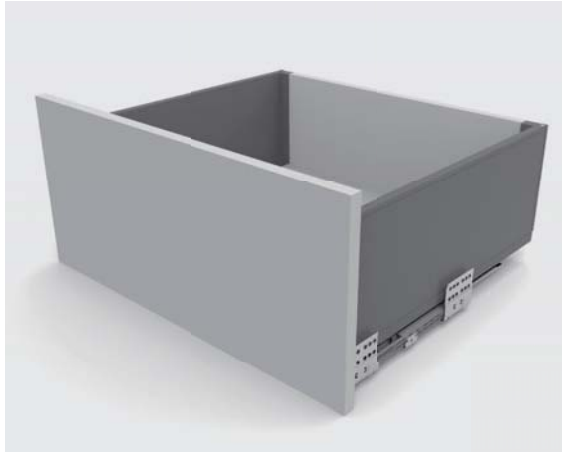
B

Slim Drawer System

SLIM DRAWER SYSTEM

SB1900 - D01

Slim box, height 199mm



SOFT-CLOSE

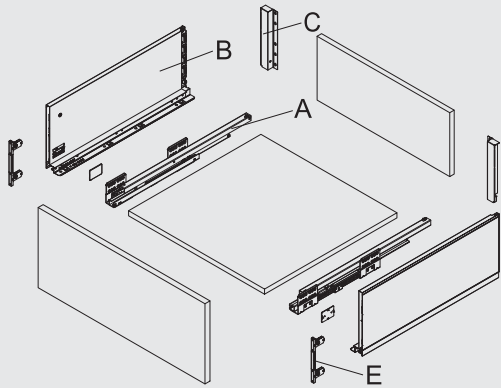
- Basic height, 199mm.
- Loading capacity: 40Kg.
- Wide range of depth from 270mm;300mm;350mm;400mm;450mm;500mm;550mm.
- 4 regular colors: Black(B), White(W), Dark grey(G), Light grey(O), custom-made colors acceptable.
- Front convenient fine adjustment mechanism integrated. Up & down ± 1.5 mm, left & right ± 1.5 mm.
- Synchronization mechanism of the slides stabilizes the sliding motion and eliminates noises from the living space.

B

Slim Drawer System

Product information

Components view



A: SS1801-S

Drawer slide L/R

Material - SECC

Loading capacity: 40kg

Length: 270mm;300mm;350mm;400mm;450mm;500mm;550mm.



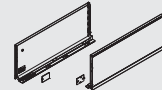
B: SS1900-B199

Side wall L/R

Material - cold-rolled steel

Color - Match for set color

Length: 270mm;300mm;350mm;400mm;450mm;500mm;550mm.



C: SS1900-L199

Back panel connector L/R

Material - cold-rolled steel

Color - Match for set color



E: SS1900-TC1

Front connector

Material - SECC + plastic

SS1900-TC2

Clip on front connector

Material - SECC + plastic

SS1900-TC5

Front connector

Material - SECC

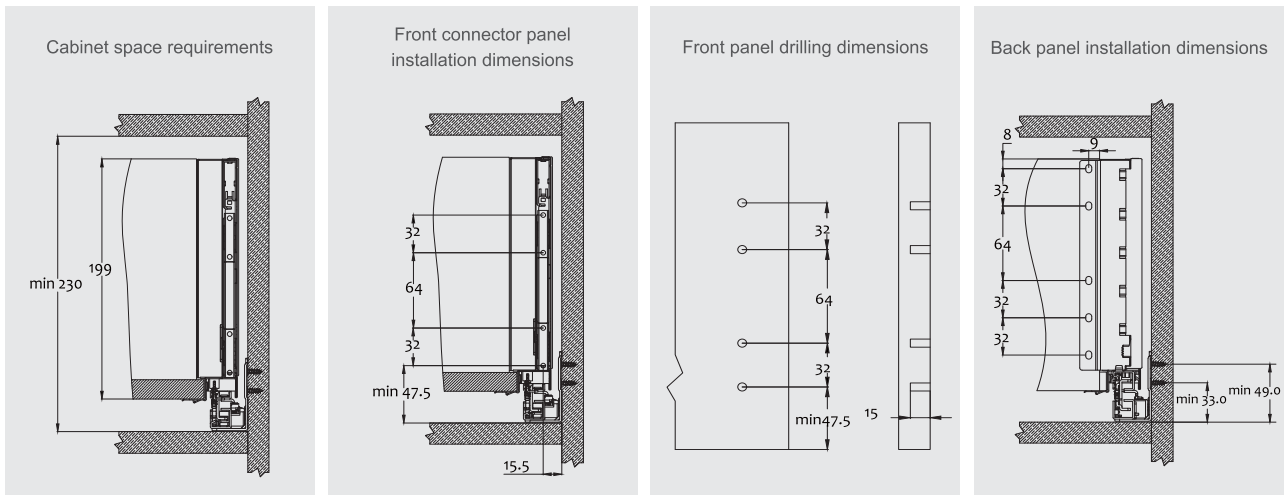
SS1900-TC6

Clip on front connector

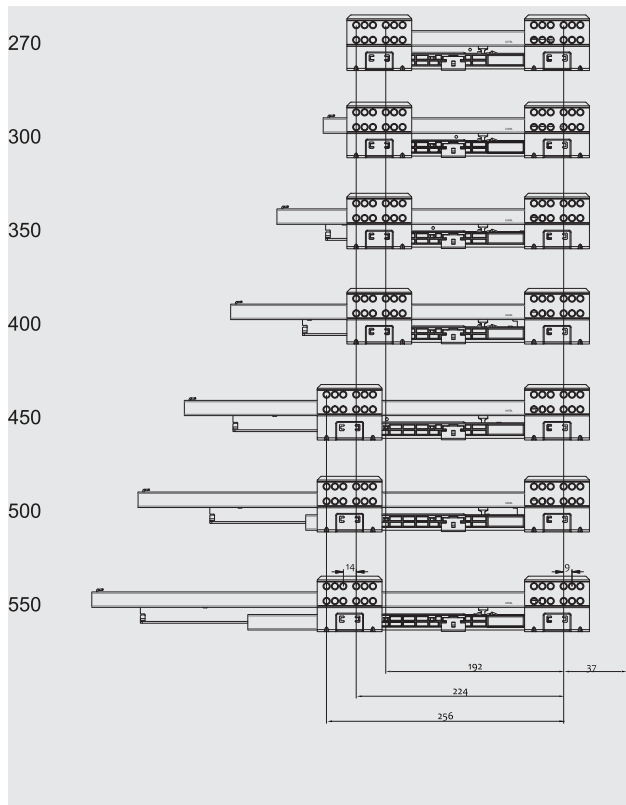
Material - SECC



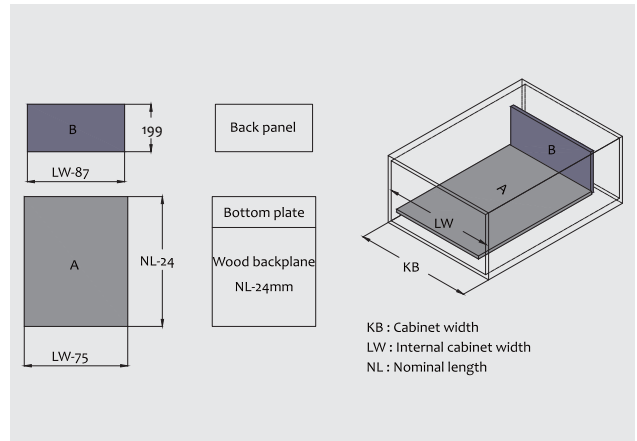
Mounting



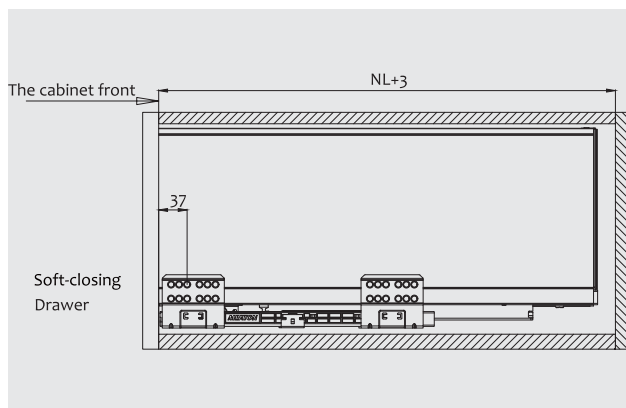
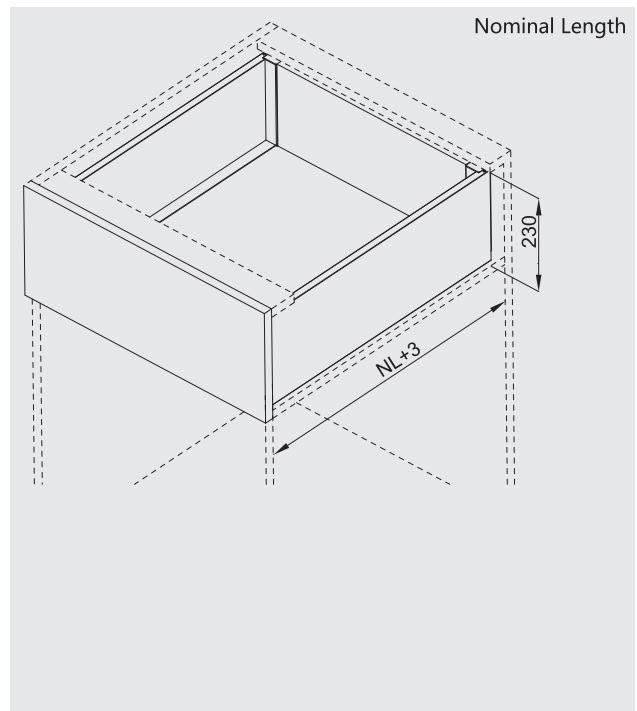
Drawer slide installation dimensions



Cutting dimensions for back panel



Space required



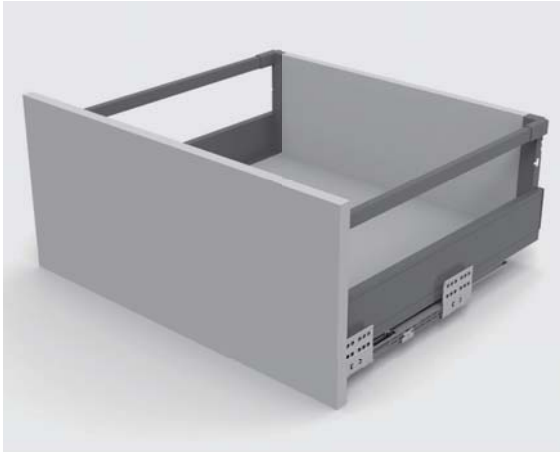
B

Slim Drawer System

SLIM DRAWER SYSTEM

SB1900 - D02

Slim box with extended side square railings, height 199mm



SOFT-CLOSE

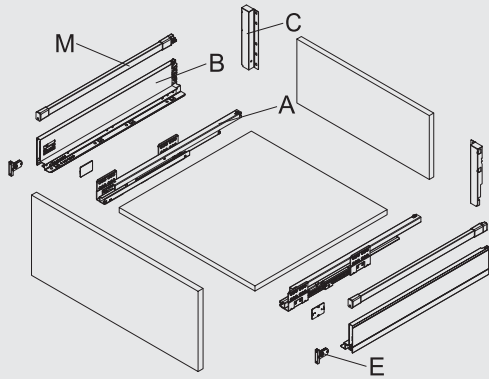
- Basic + rectangular side railings, height 199mm.
- Loading capacity: 40Kg.
- Wide range of depth from 270mm;300mm;350mm;400mm;450mm;500mm;550mm.
- 4 regular colors: Black(B), White(W), Dark grey(G), Light grey(O), custom-made colors acceptable.
- Front convenient fine adjustment mechanism integrated. Up & down ± 1.5 mm, left & right ± 1.5 mm.
- Synchronization mechanism of the slides stabilizes the sliding motion and eliminates noises from the living space.

B

Slim Drawer System

Product information

Components view



A: SS1801-S

Drawer slide L/R

Material - SECC

Loading capacity: 40kg

Length: 270mm;300mm;350mm;400mm;450mm;500mm;550mm.



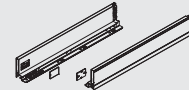
B: SS1900-B86

Side wall L/R

Material - cold-rolled steel

Color - Match for set color

Length: 270mm;300mm;350mm;400mm;450mm;500mm;550mm.



C: SS1900-L199K

Back panel connector (square railings) L/R

Material - cold-rolled steel

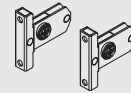
Color - Match for set color



E: SS1900-TA1

Front connector

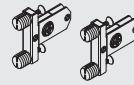
Material - SECC + plastic



SS1900-TA2

Clip on front connector

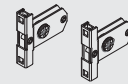
Material - SECC + plastic



SS1900-TA5

Front connector

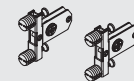
Material - SECC



SS1900-TA6

Clip on front connector

Material - SECC



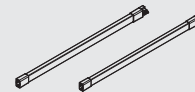
M: SS1801-12

Side square railings

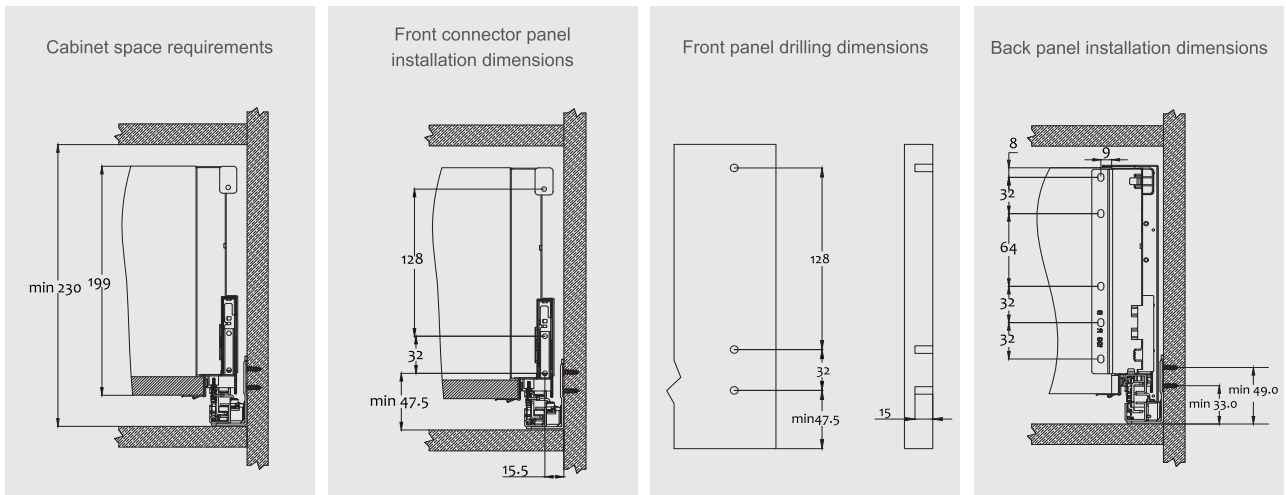
Material - aluminium + plastic

Color - Match for set color

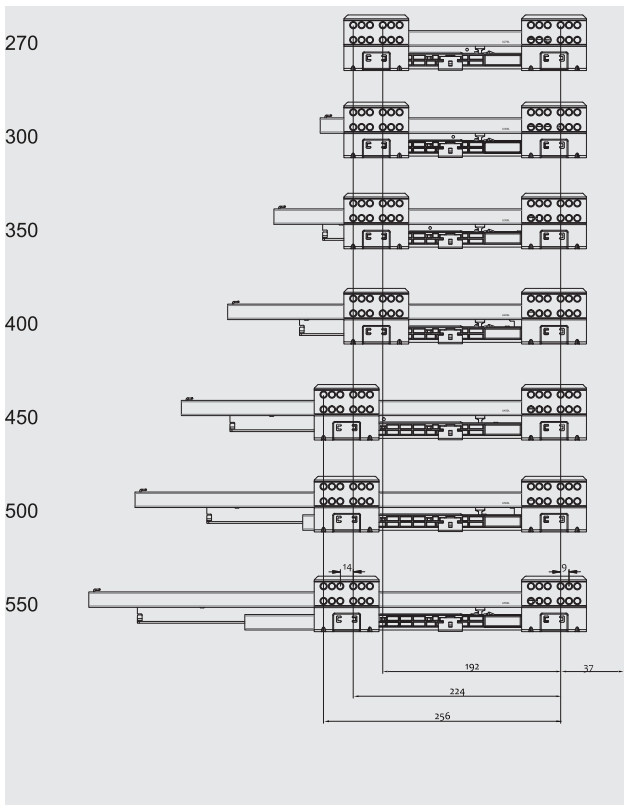
Length: 270mm;300mm;350mm;400mm;450mm;500mm;550mm.



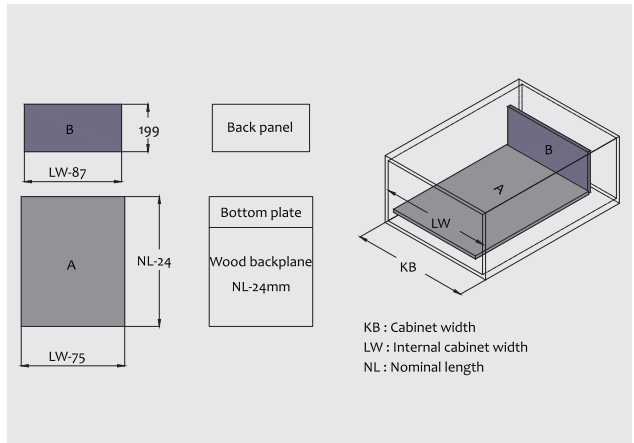
Mounting



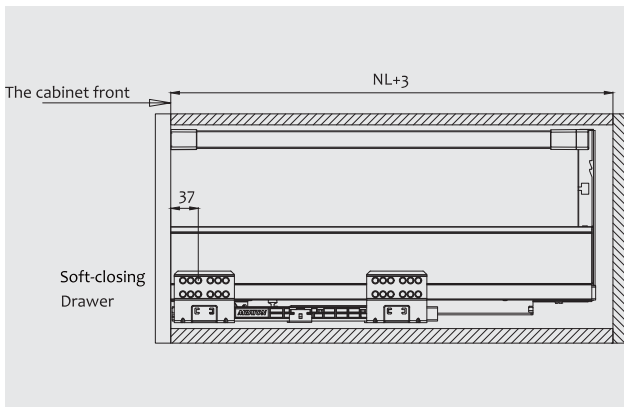
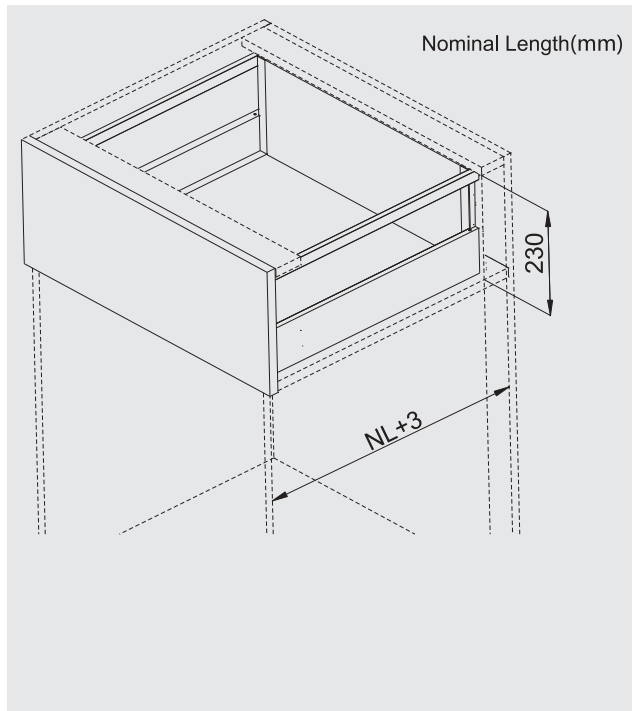
Drawer slide installation dimensions



Cutting dimensions for back panel



Space required



B

Slim Drawer System

SLIM DRAWER SYSTEM

SB1900 - D03

Inner box with extended front low glass, height 199mm



B

Slim Drawer System

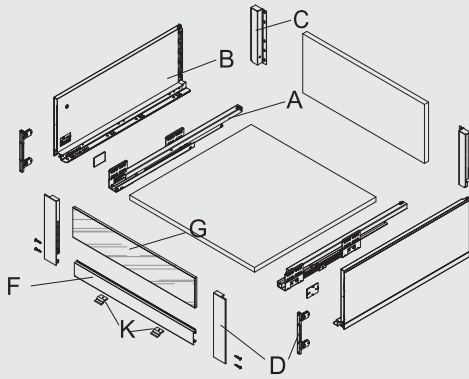


SOFT-CLOSE

- Inner drawer, height 199mm.
- Loading capacity: 40Kg.
- Wide range of depth from 270mm;300mm;350mm;400mm;450mm;500mm;550mm.
- 4 regular colors: Black(B), White(W), Dark grey(G), Light grey(O), custom-made colors acceptable.
- Front convenient fine adjustment mechanism integrated. Up & down ± 1.5 mm, left & right ± 1.5 mm.
- Synchronization mechanism of the slides stabilizes the sliding motion and eliminates noises from the living space.

Product information

Components view



A: SS1801-S

Drawer slide L/R

Material - SECC

Loading capacity: 40kg

Length: 270mm;300mm;350mm;400mm;450mm;500mm;550mm.



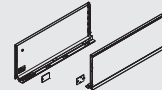
B: SS1900-B199

Side wall L/R

Material - cold-rolled steel

Color - Match for set color

Length: 270mm;300mm;350mm;400mm;450mm;500mm;550mm.



C: SS1900-L199

Back panel connector L/R

Material - cold-rolled steel

Color - Match for set color

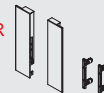


D: SS1900-F199L

Inner drawer front connector (low glass) L/R

Material - cold-rolled steel + plastic

Color - Match for set color



F: SS1900-04

Inner drawer front panel

Material - aluminium

Color - Match for set color

Automatically cut - the cabinet body width LW - 98

Length: 600mm;800mm;900mm;1000mm;1200mm



G: SS1900-20-D

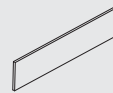
Inner drawer extended front panel

Material - aluminium

Color - Match for set color

Automatically cut - the cabinet body width LW - 85

Length: 600mm;800mm;900mm;1000mm;1200mm



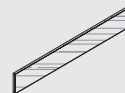
SS1900-20-DS/ SS1900-20-DT

Inner drawer extended front glass

Material - glass

Color - transparent/Frosted

Length: 464mm;564mm;664mm;764mm

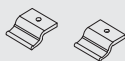


K: SS1800-37

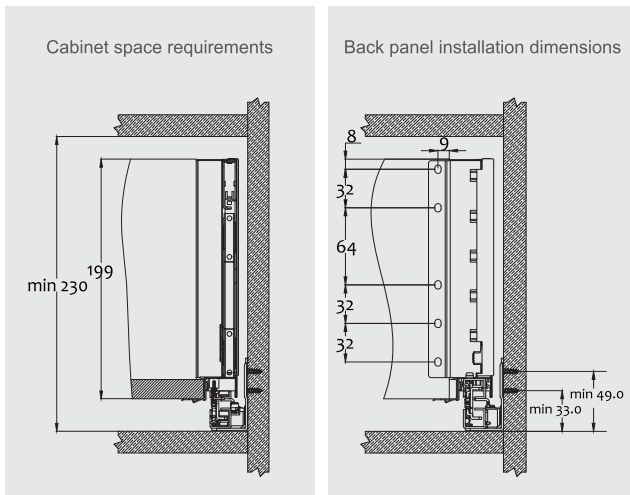
Front panel bracket to bottom panel

Material - plastic

Color - Silver grey



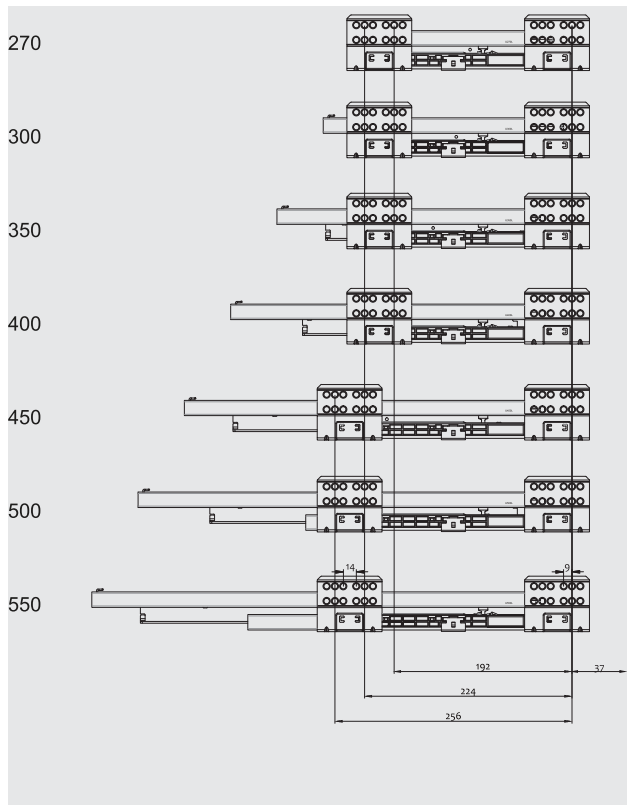
Mounting



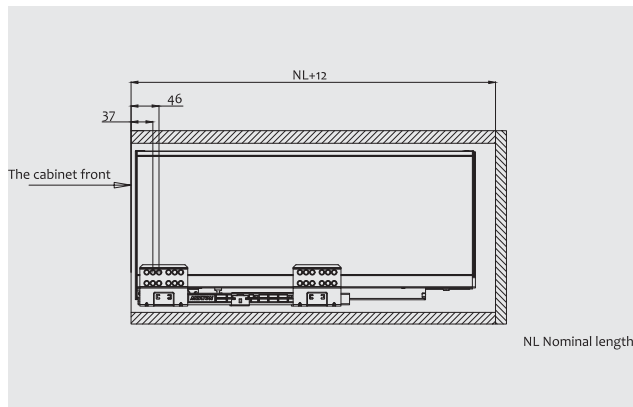
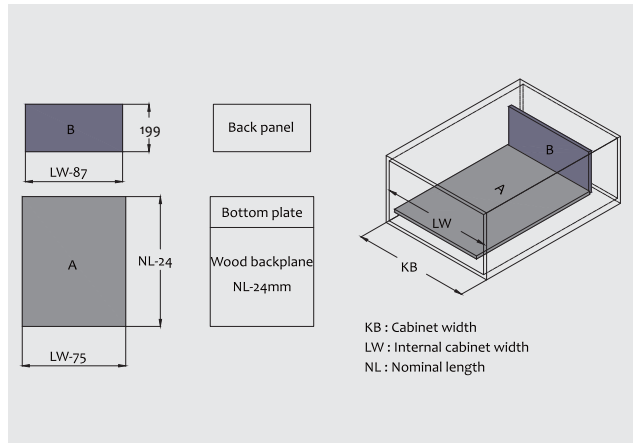
Internal front panel DIY cut



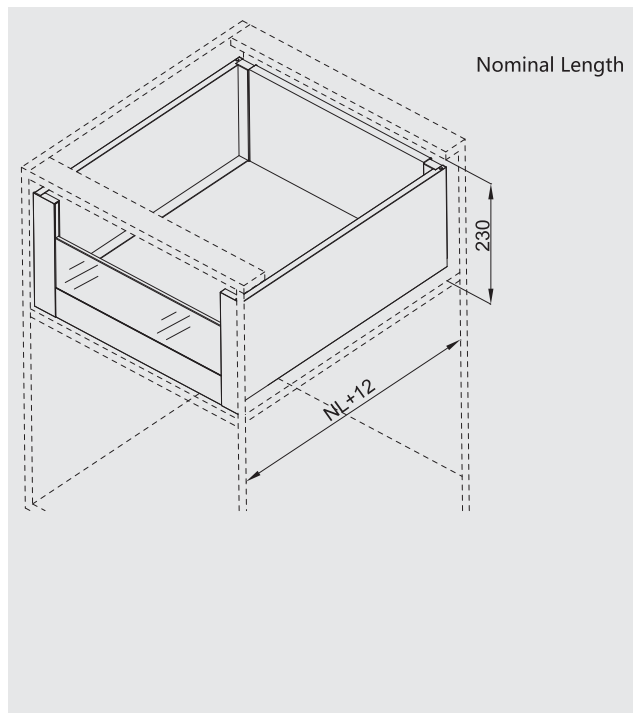
Drawer slide installation dimensions



Cutting dimensions for back panel



Space required



B

Slim Drawer System

SLIM DRAWER SYSTEM

SB1900 - D04

Inner box with extended front tall glass, height 199mm



B

Slim Drawer System

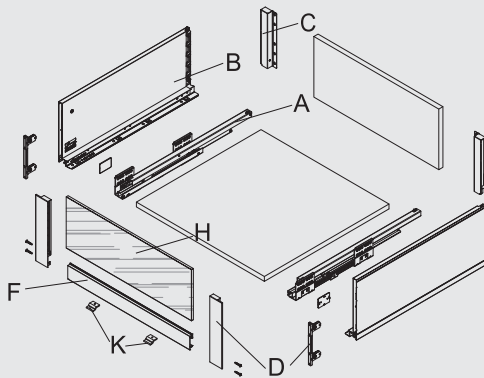


SOFT-CLOSE

- Inner drawer, height 199mm.
- Loading capacity: 40Kg.
- Wide range of depth from 270mm;300mm;350mm;400mm;450mm;500mm;550mm.
- 4 regular colors: Black(B), White(W), Dark grey(G), Light grey(O), custom-made colors acceptable.
- Front convenient fine adjustment mechanism integrated. Up & down ± 1.5 mm, left & right ± 1.5 mm.
- Synchronization mechanism of the slides stabilizes the sliding motion and eliminates noises from the living space.

Product information

Components view



A: SS1801-S

Drawer slide L/R

Material - SECC

Loading capacity: 40kg

Length: 270mm;300mm;350mm;400mm;450mm;500mm;550mm.



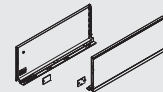
B: SS1900-B199

Side wall L/R

Material - cold-rolled steel

Color - Match for set color

Length: 270mm;300mm;350mm;400mm;450mm;500mm;550mm.



C: SS1900-L199

Back panel connector L/R

Material - cold-rolled steel

Color - Match for set color



D: SS1900-F199G

Inner drawer front connector (tall glass) L/R

Material - cold-rolled steel + plastic

Color - Match for set color



F: SS1900-04

Inner drawer front panel

Material - aluminium

Color - Match for set color

Automatically cut - the cabinet body width LW - 98

Length: 600mm;800mm;900mm;1000mm;1200mm



H: SS1900-21-D

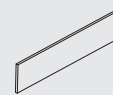
Inner drawer extended front panel

Material - aluminium

Color - Match for set color

Automatically cut - the cabinet body width LW - 85

Length: 600mm;800mm;900mm;1000mm;1200mm



SS1900-21-DS/ SS1900-21-DT

Inner drawer extended front glass

Material - glass

Color - transparent/Frosted

Length: 464mm;564mm;664mm;764mm

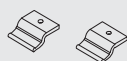


K: SS1800-37

Front panel bracket to bottom panel

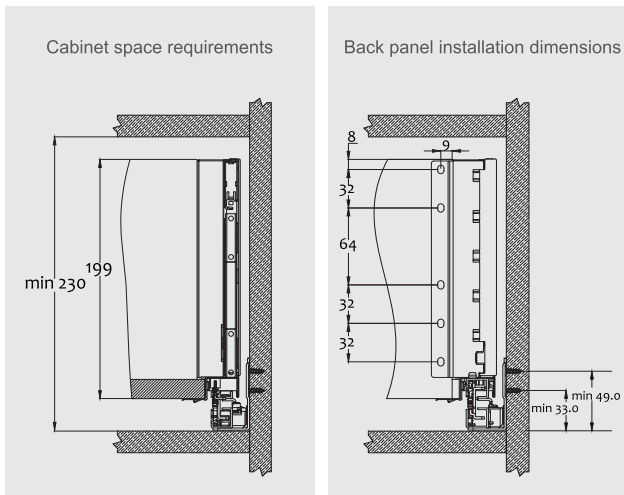
Material - plastic

Color - Silver grey

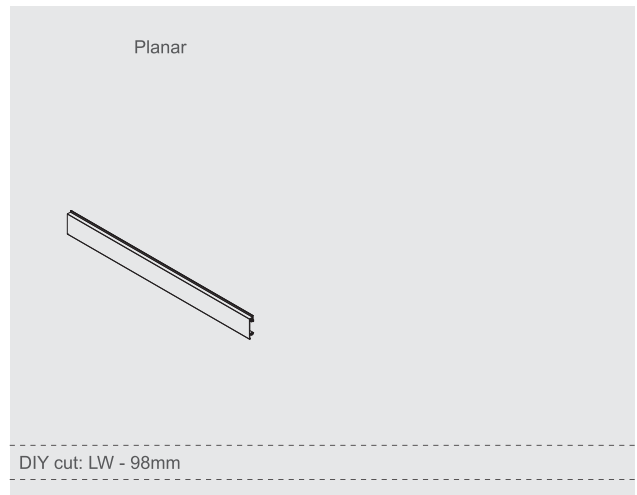


B.100 -Slim Drawer System

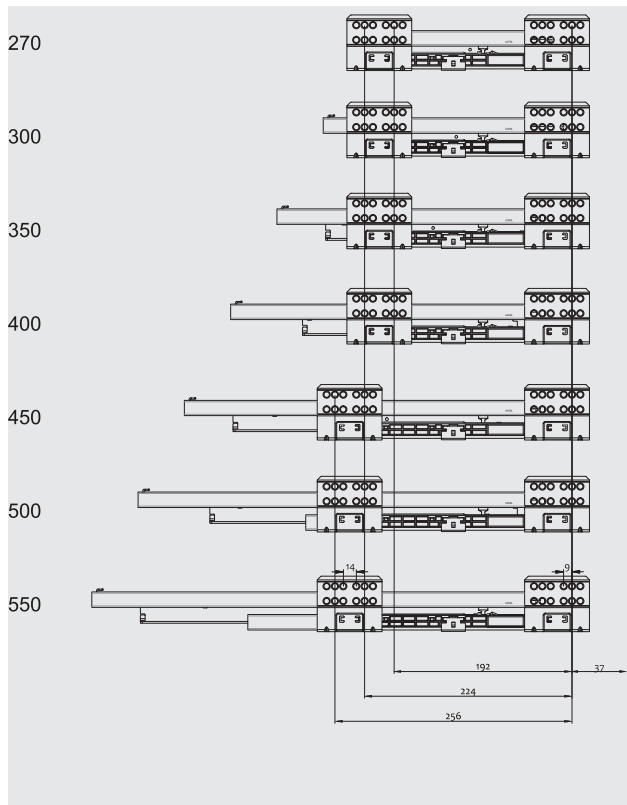
Mounting



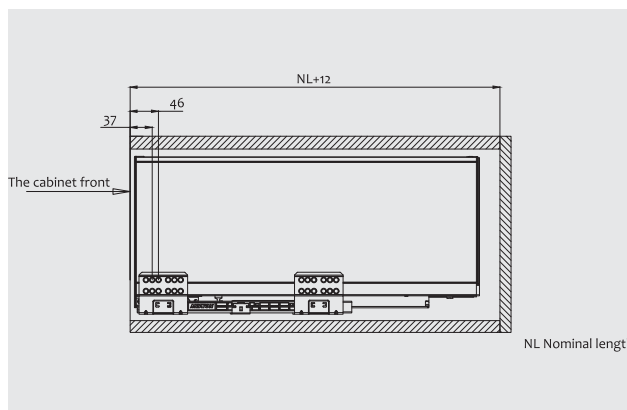
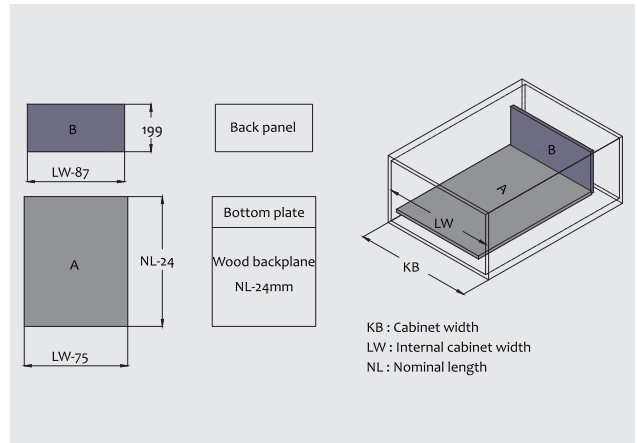
Internal front panel DIY cut



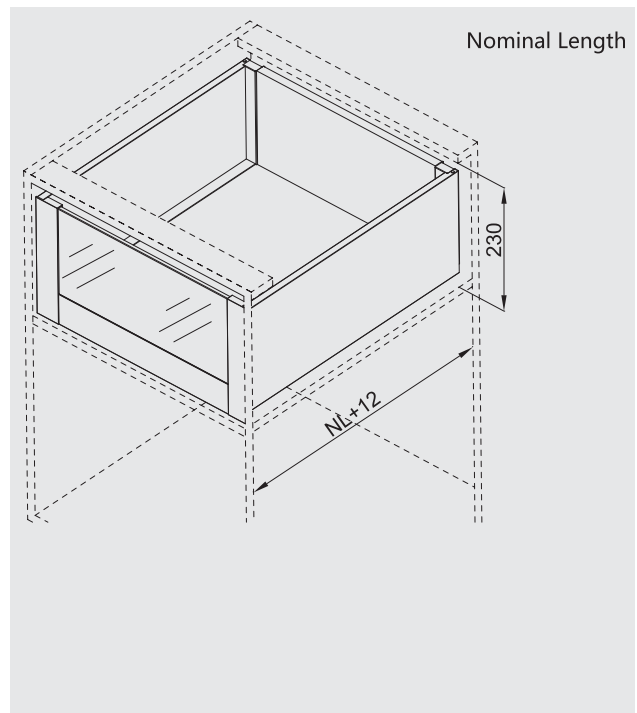
Drawer slide installation dimensions



Cutting dimensions for back panel



Space required



B

Slim Drawer System

SLIM DRAWER SYSTEM

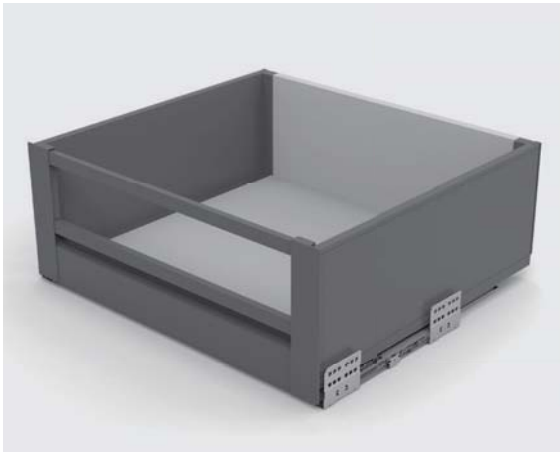
SB1900 - D05/ SB1900 - D05H

Inner box with front panel and square railing, height 199mm



B

Slim Drawer System

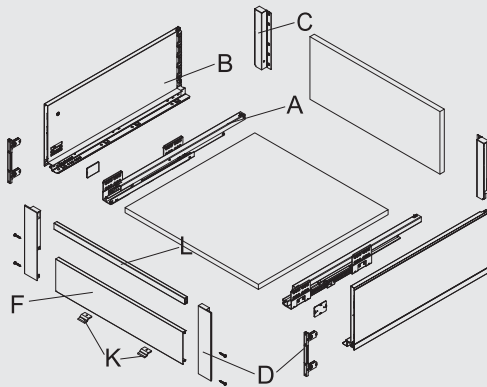


SOFT-CLOSE

- Inner drawer, height 199mm.
- Loading capacity: 40Kg.
- Wide range of depth from 270mm;300mm;350mm;400mm;450mm;500mm;550mm.
- 4 regular colors: Black(B), White(W), Dark grey(G), Light grey(O), custom-made colors acceptable.
- Front convenient fine adjustment mechanism integrated. Up & down ± 1.5 mm, left & right ± 1.5 mm.
- Synchronization mechanism of the slides stabilizes the sliding motion and eliminates noises from the living space.

Product information

Components view



A: SS1801-S

Drawer slide L/R

Material - SECC

Loading capacity: 40kg

Length: 270mm;300mm;350mm;400mm;450mm;500mm;550mm.



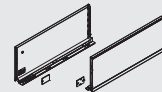
B: SS1900-B199

Side wall L/R

Material - cold-rolled steel

Color - Match for set color

Length: 270mm;300mm;350mm;400mm;450mm;500mm;550mm.



C: SS1900-L199

Back panel connector L/R

Material - cold-rolled steel

Color - Match for set color



D: SS1900-F199D

Inner drawer front connector (square railing) L/R

Material - cold-rolled steel + plastic

Color - Match for set color

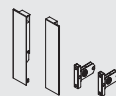


SS1900-F199DH

Inner drawer front connector (handle) L/R

Material - cold-rolled steel + plastic

Color - Match for set color



L: S52932

Front square railing

Material - aluminium

Color - Match for set color

Automatically cut - the cabinet body width LW - 85

Length: 600mm;800mm;900mm;1000mm;1200mm

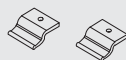


K: SS1800-37

Front panel bracket to bottom panel

Material - plastic

Color - Silver grey



F: SS1800-04

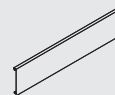
Inner drawer front panel

Material - aluminium

Color - Match for set color

Automatically cut - the cabinet body width LW - 98

Length: 600mm;800mm;900mm;1000mm;1200mm



SS1800-04H

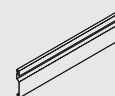
Inner drawer front panel (handle)

Material - aluminium

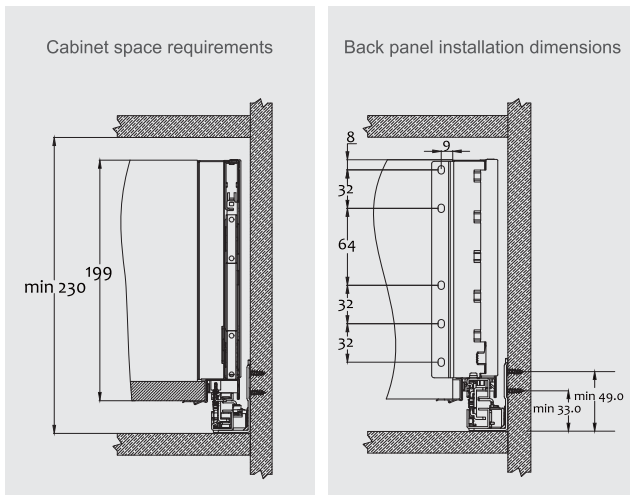
Color - Match for set color

Automatically cut - the cabinet body width LW - 98

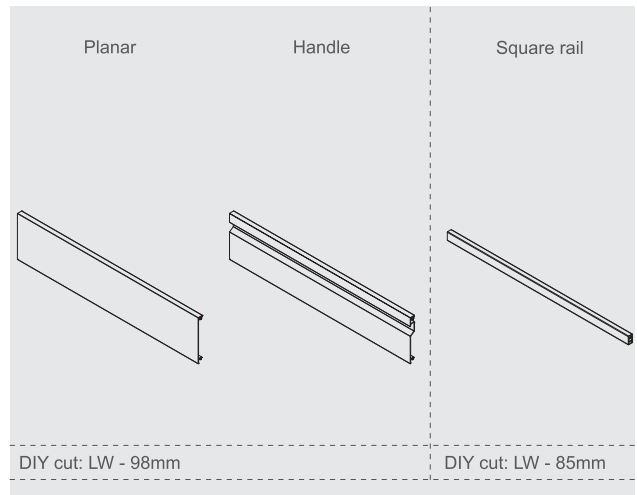
Length: 600mm;800mm;900mm;1000mm;1200mm



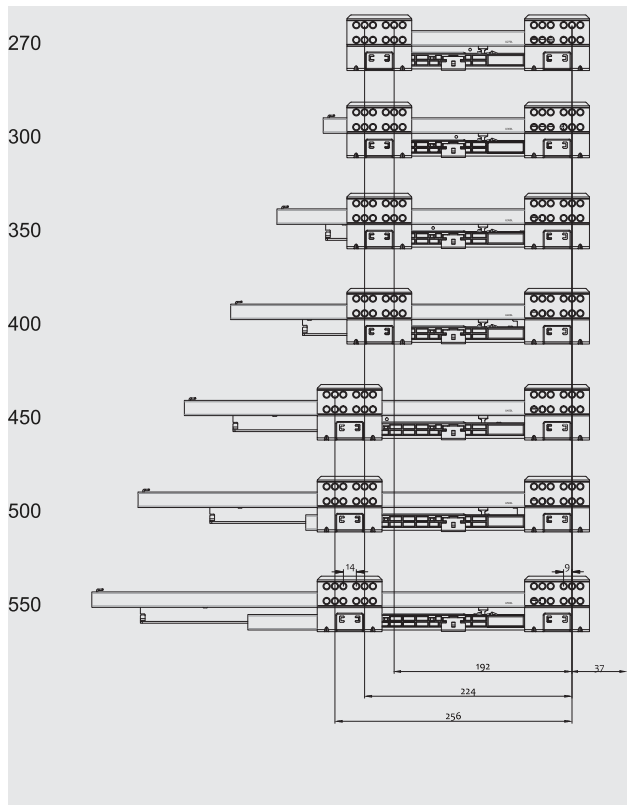
Mounting



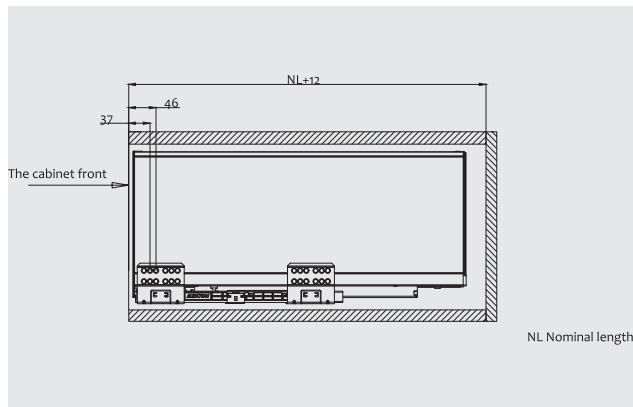
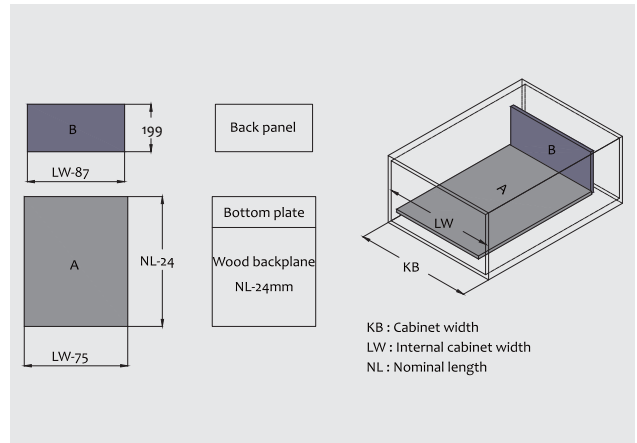
Internal front panel DIY cut



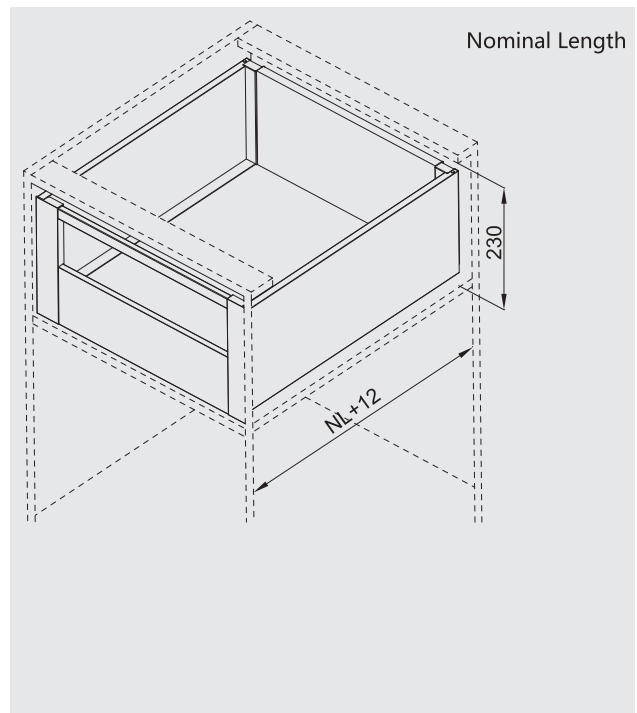
Drawer slide installation dimensions



Cutting dimensions for back panel



Space required



B

Slim Drawer System

SLIM DRAWER SYSTEM

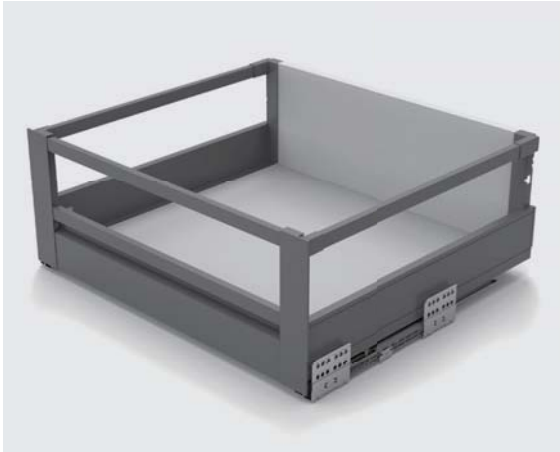
SB1900 - D06/ SB1900 - D06H

Inner box with side square railings and front panel square railing, height 199mm



B

Slim Drawer System

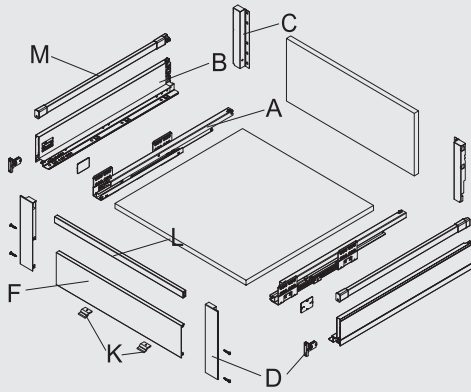


SOFT-CLOSE

- Inner drawer, height 199mm.
- Loading capacity: 40Kg.
- Wide range of depth from 270mm;300mm;350mm;400mm;450mm;500mm;550mm.
- 4 regular colors: Black(B), White(W), Dark grey(G), Light grey(O), custom-made colors acceptable.
- Front convenient fine adjustment mechanism integrated. Up & down ± 1.5 mm, left & right ± 1.5 mm.
- Synchronization mechanism of the slides stabilizes the sliding motion and eliminates noises from the living space.

Product information

Components view



A: SS1801-S

Drawer slide L/R

Material - SECC

Loading capacity: 40kg

Length: 270mm;300mm;350mm;400mm;450mm;500mm;550mm.



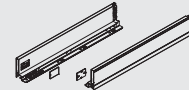
B: SS1900-B86

Side wall L/R

Material - cold-rolled steel

Color - Match for set color

Length: 270mm;300mm;350mm;400mm;450mm;500mm;550mm.



C: SS1900-L199K

Back panel connector (square railings) L/R

Material - cold-rolled steel

Color - Match for set color

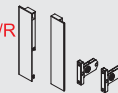


D: SS1900-F199D

Inner drawer front connector (square railing) L/R

Material - cold-rolled steel + plastic

Color - Match for set color

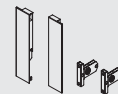


SS1900-F199DH

Inner drawer front connector (handle) L/R

Material - cold-rolled steel + plastic

Color - Match for set color



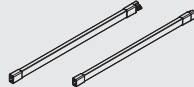
M: SS1801-12

Side square railings

Material - aluminium + plastic

Color - Match for set color

Length: 270mm;300mm;350mm;400mm;450mm;500mm;550mm.



L: S52932

Front square railing

Material - aluminium

Color - Match for set color

Automatically cut - the cabinet body width LW - 85

Length: 600mm;800mm;900mm;1000mm;1200mm



K: SS1800-37

Front panel bracket to bottom panel

Material - plastic

Color - Silver grey



F: SS1800-04

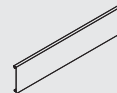
Inner drawer front panel

Material - aluminium

Color - Match for set color

Automatically cut - the cabinet body width LW - 98

Length: 600mm;800mm;900mm;1000mm;1200mm



SS1800-04H

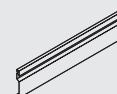
Inner drawer front panel (handle)

Material - aluminium

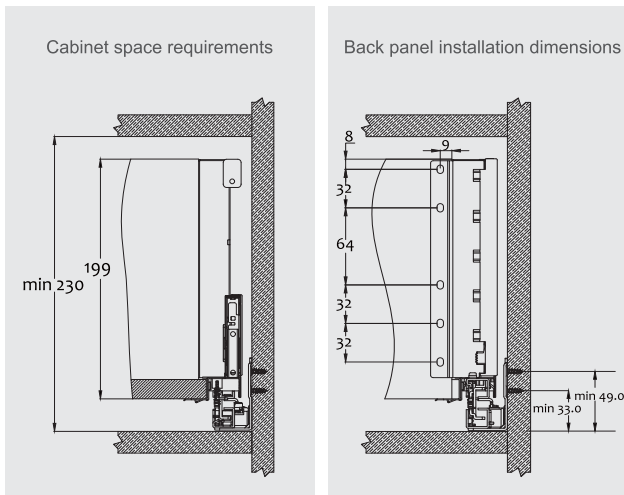
Color - Match for set color

Automatically cut - the cabinet body width LW - 98

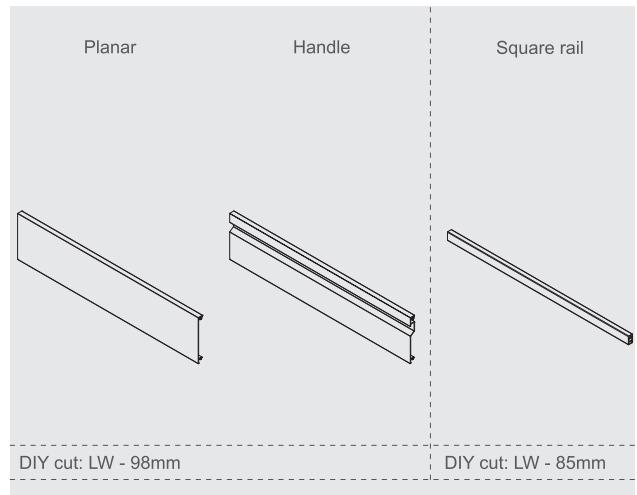
Length: 600mm;800mm;900mm;1000mm;1200mm



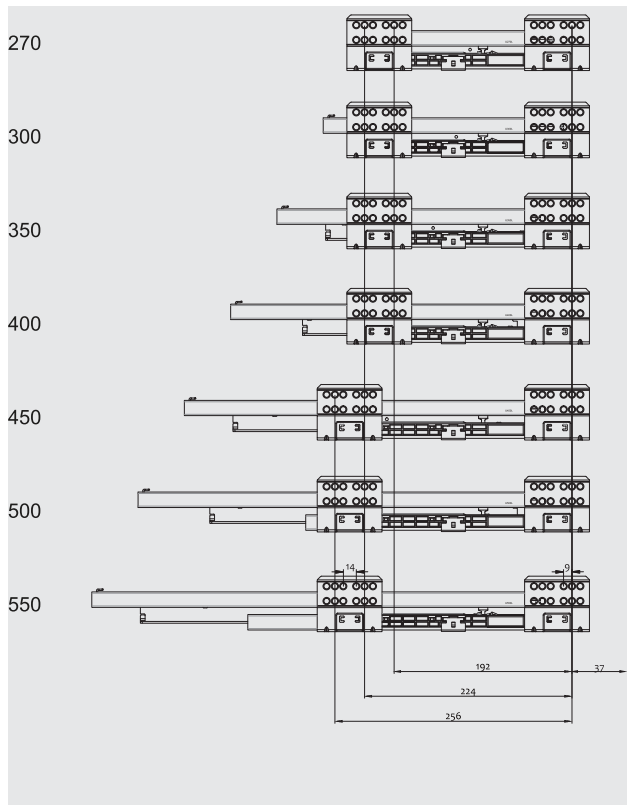
Mounting



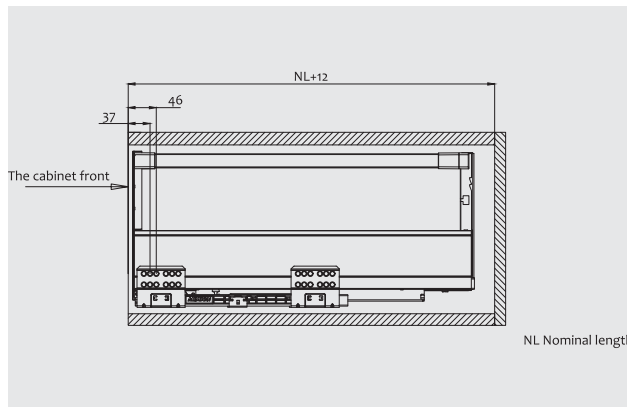
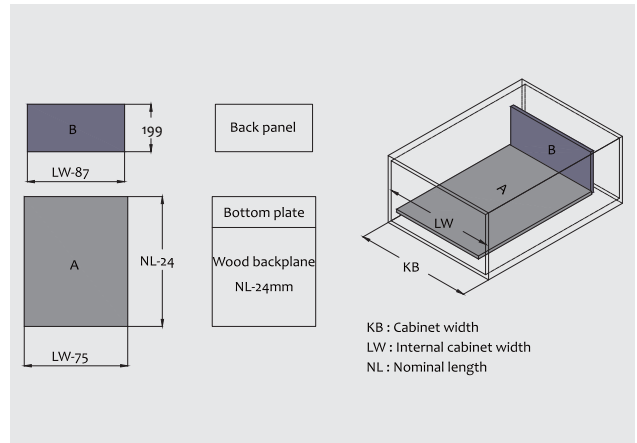
Internal front panel DIY cut



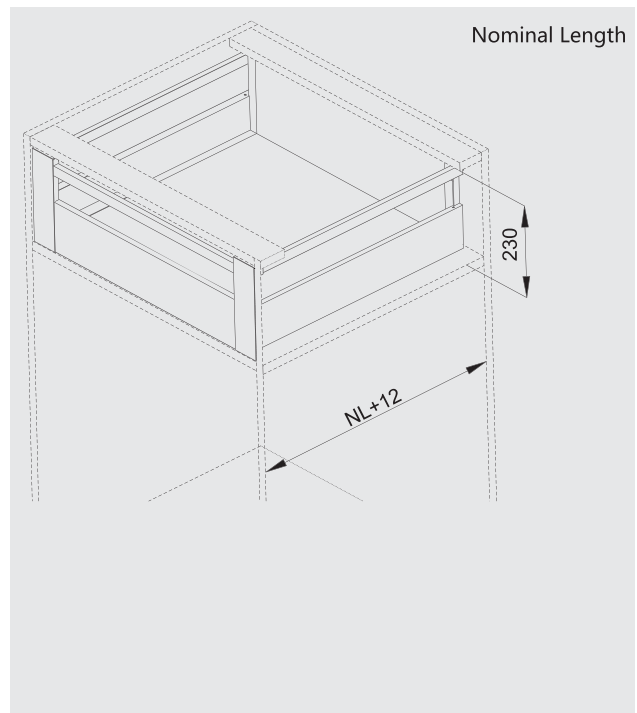
Drawer slide installation dimensions



Cutting dimensions for back panel



Space required



B

Slim Drawer System

SLIM DRAWER SYSTEM

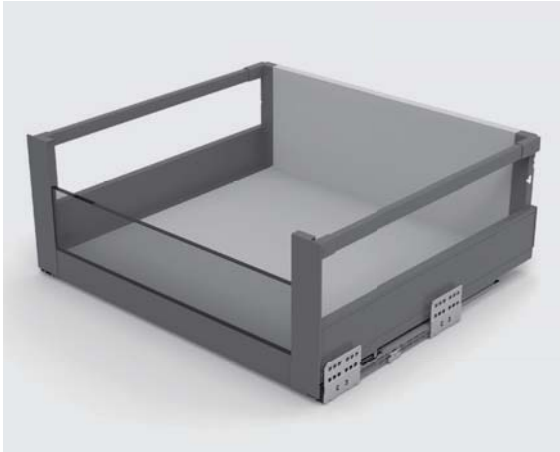
SB1900 - D07

Inner box with side square railings and extended front low glass, height 199mm



B

Slim Drawer System

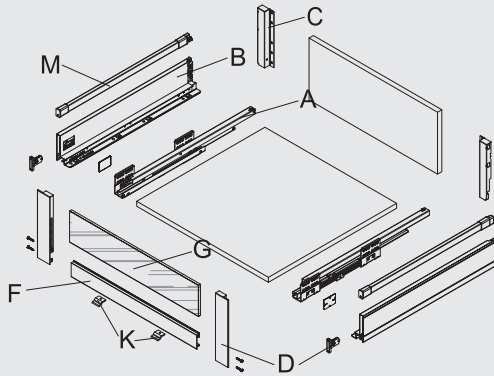


SOFT-CLOSE

- Inner drawer, height 199mm.
- Loading capacity: 40Kg.
- Wide range of depth from 270mm;300mm;350mm;400mm;450mm;500mm;550mm.
- 4 regular colors: Black(B), White(W), Dark grey(G), Light grey(O), custom-made colors acceptable.
- Front convenient fine adjustment mechanism integrated. Up & down ± 1.5 mm, left & right ± 1.5 mm.
- Synchronization mechanism of the slides stabilizes the sliding motion and eliminates noises from the living space.

Product information

Components view



A: SS1801-S

Drawer slide L/R

Material - SECC

Loading capacity: 40kg

Length: 270mm;300mm;350mm;400mm;450mm;500mm;550mm.



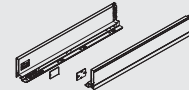
B: SS1900-B86

Side wall L/R

Material - cold-rolled steel

Color - Match for set color

Length: 270mm;300mm;350mm;400mm;450mm;500mm;550mm.



C: SS1900-L199K

Back panel connector (square railings) L/R

Material - cold-rolled steel

Color - Match for set color

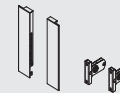


D: SS1900-F199LK

Inner drawer front connector (low glass) L/R

Material - cold-rolled steel + plastic

Color - Match for set color



F: SS1900-04

Inner drawer front panel

Material - aluminium

Color - Match for set color

Automatically cut - the cabinet body width LW - 98

Length: 600mm;800mm;900mm;1000mm;1200mm



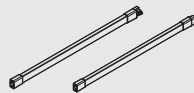
M: SS1801-12

Side square railings

Material - aluminium + plastic

Color - Match for set color

Length: 270mm;300mm;350mm;400mm;450mm;500mm;550mm.

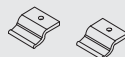


K: SS1800-37

Front panel bracket to bottom panel

Material - plastic

Color - Silver grey



G: SS1900-20-D

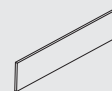
Inner drawer extended front panel

Material - aluminium

Color - Match for set color

Automatically cut - the cabinet body width LW - 85

Length: 600mm;800mm;900mm;1000mm;1200mm



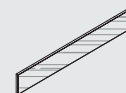
SS1900-20-DS/ SS1900-20-DT

Inner drawer extended front glass

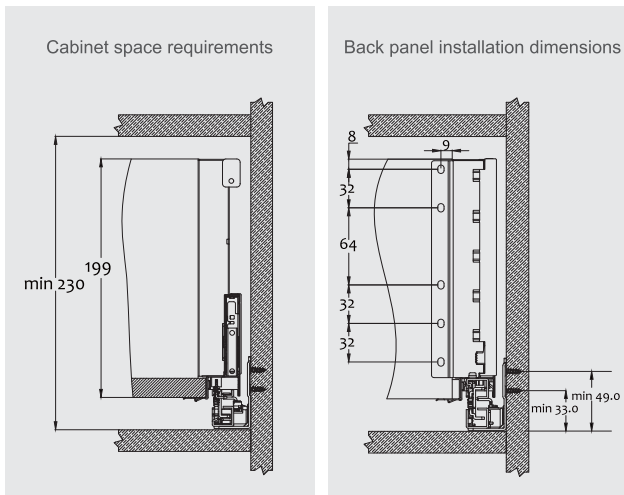
Material - glass

Color - transparent/Frosted

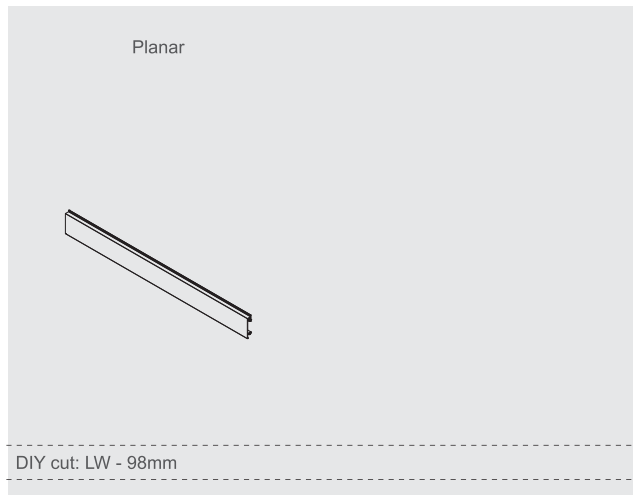
Length: 464mm;564mm;664mm;764mm



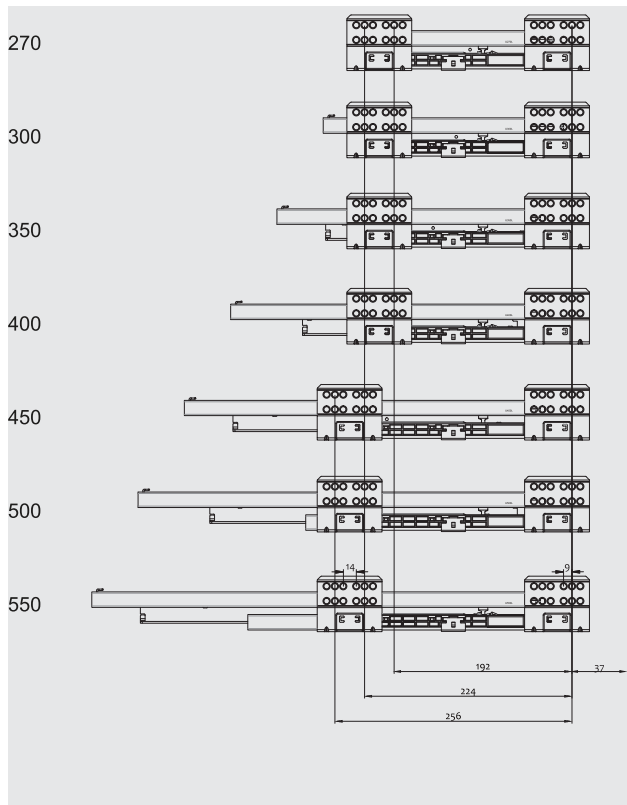
Mounting



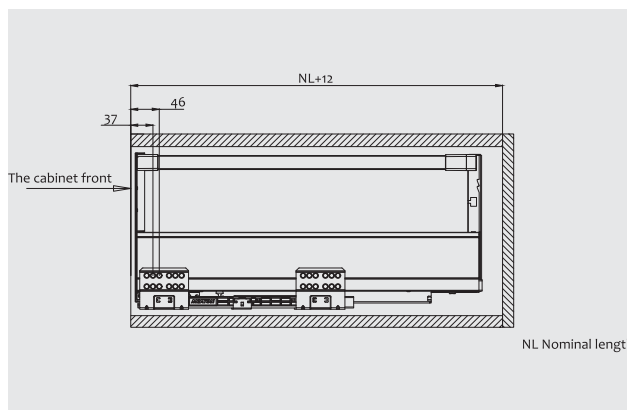
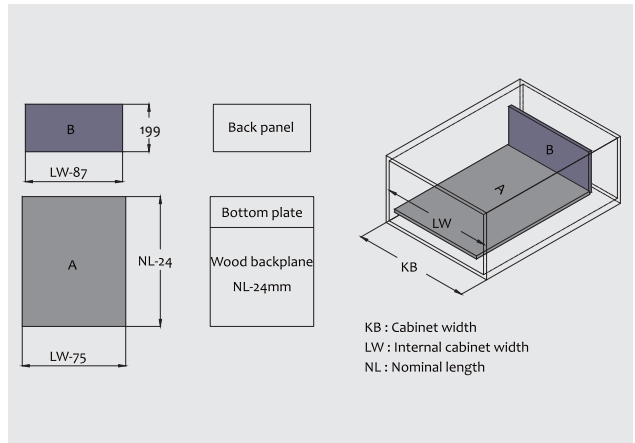
Internal front panel DIY cut



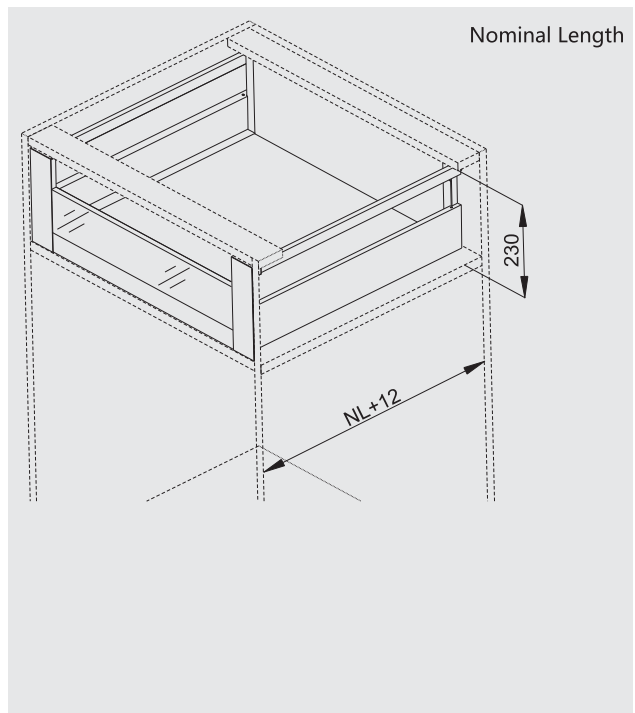
Drawer slide installation dimensions



Cutting dimensions for back panel



Space required



B

Slim Drawer System

SLIM DRAWER SYSTEM

SB1900 - D08

Inner box with side square railings and extended front tall glass, height 199mm



B

Slim Drawer System

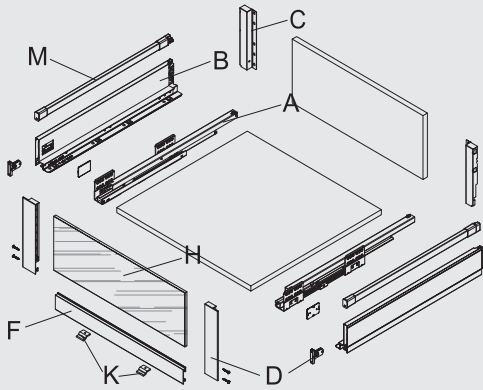


SOFT-CLOSE

- Inner drawer, height 199mm.
- Loading capacity: 40Kg.
- Wide range of depth from 270mm;300mm;350mm;400mm;450mm;500mm;550mm.
- 4 regular colors: Black(B), White(W), Dark grey(G), Light grey(O), custom-made colors acceptable.
- Front convenient fine adjustment mechanism integrated. Up & down ± 1.5 mm, left & right ± 1.5 mm.
- Synchronization mechanism of the slides stabilizes the sliding motion and eliminates noises from the living space.

Product information

Components view



A: SS1801-S

Drawer slide L/R

Material - SECC

Loading capacity: 40kg

Length: 270mm;300mm;350mm;400mm;450mm;500mm;550mm.



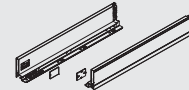
B: SS1900-B86

Side wall L/R

Material - cold-rolled steel

Color - Match for set color

Length: 270mm;300mm;350mm;400mm;450mm;500mm;550mm.



C: SS1900-L199K

Back panel connector (square railings) L/R

Material - cold-rolled steel

Color - Match for set color

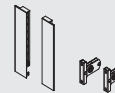


D: SS1900-F199GK

Inner drawer front connector (tall glass) L/R

Material - cold-rolled steel + plastic

Color - Match for set color



F: SS1900-04

Inner drawer front panel

Material - aluminium

Color - Match for set color

Automatically cut - the cabinet body width LW - 98

Length: 600mm;800mm;900mm;1000mm;1200mm



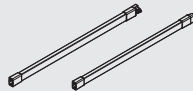
M: SS1801-12

Side square railings

Material - aluminium + plastic

Color - Match for set color

Length: 270mm;300mm;350mm;400mm;450mm;500mm;550mm.



K: SS1800-37

Front panel bracket to bottom panel

Material - plastic

Color - Silver grey



H: SS1900-21-D

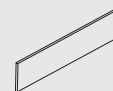
Inner drawer extended front panel

Material - aluminium

Color - Match for set color

Automatically cut - the cabinet body width LW - 85

Length: 600mm;800mm;900mm;1000mm;1200mm



SS1900-21-DS/ SS1900-21-DT

Inner drawer extended front glass

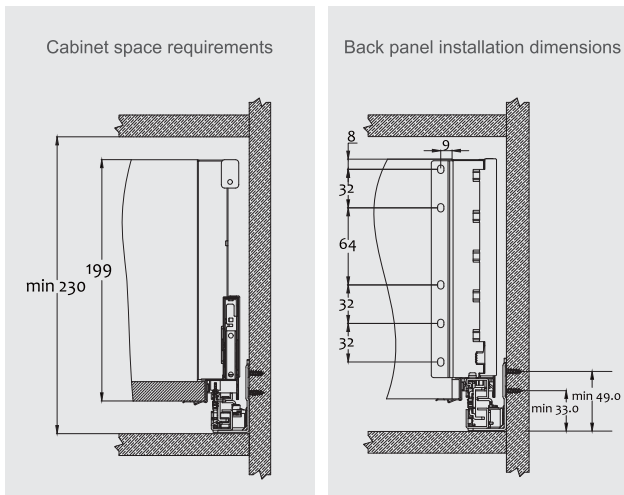
Material - glass

Color - transparent/Frosted

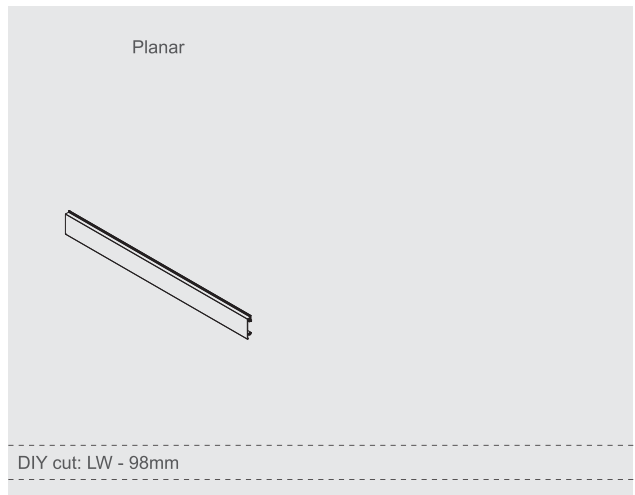
Length: 464mm;564mm;664mm;764mm



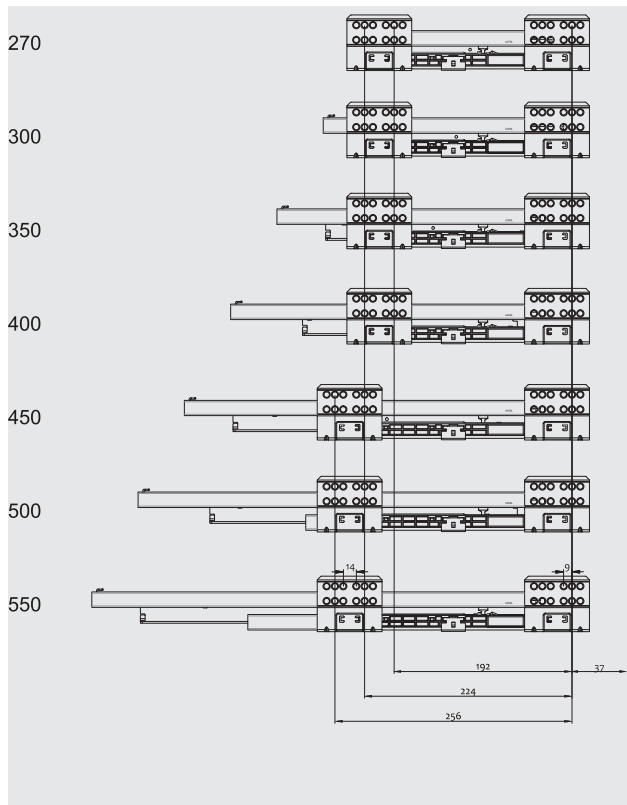
Mounting



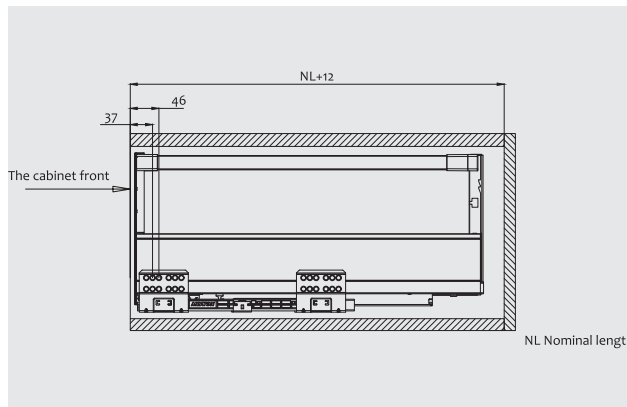
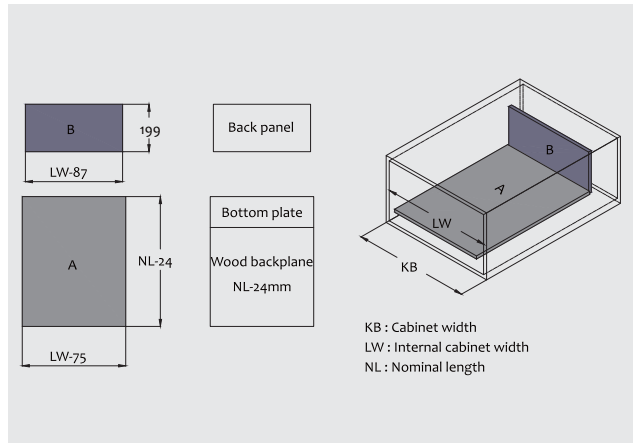
Internal front panel DIY cut



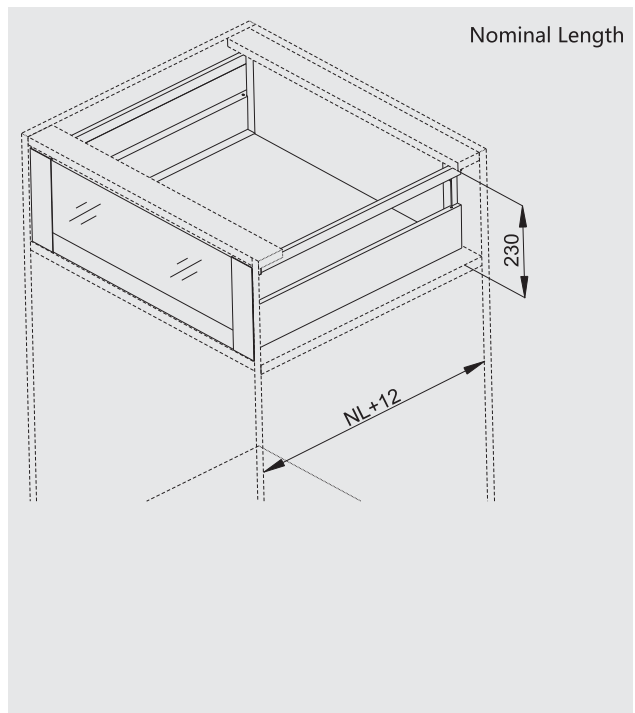
Drawer slide installation dimensions



Cutting dimensions for back panel



Space required



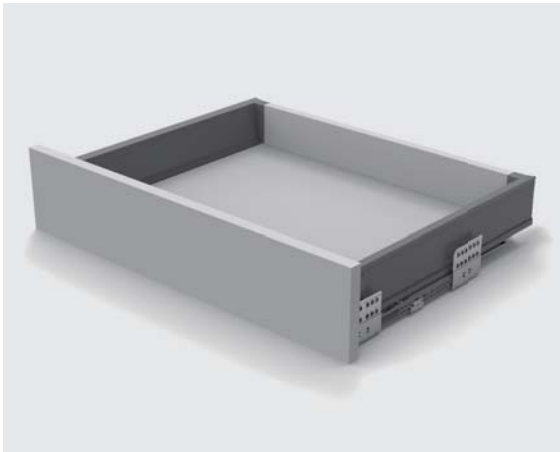
B

Slim Drawer System

CLASSICAL DRAWER SYSTEM

SB1801 - A01

Classical box, height 84mm

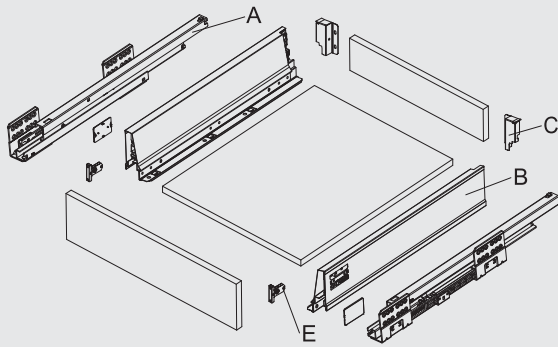


SOFT-CLOSE

- Basic height, 84mm.
- Loading capacity: 40Kg.
- Wide range of depth from 270mm;300mm;350mm;400mm;450mm;500mm;550mm.
- 4 regular colors: Black(B), White(W), Dark grey(G), Light grey(O), custom-made colors acceptable.
- Front convenient fine adjustment mechanism integrated. Up & down ± 1.5 mm, left & right ± 1.5 mm.
- Synchronization mechanism of the slides stabilizes the sliding motion and eliminates noises from the living space.

Product information

Components view



A: SS1801-S

Drawer slide L/R

Material - SECC

Loading capacity: 40kg

Length: 270mm;300mm;350mm;400mm;450mm;500mm;550mm.



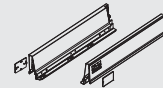
B: SS1801-B

Side wall L/R

Material - cold-rolled steel

Color - Match for set color

Length: 270mm;300mm;350mm;400mm;450mm;500mm;550mm.

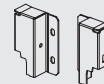


C: SS1800-L86

Back panel connector L/R

Material - cold-rolled steel

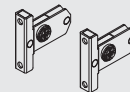
Color - Match for set color



E: SS1900-TA1

Front connector

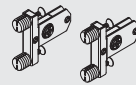
Material - SECC + plastic



SS1900-TA2

Clip on front connector

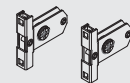
Material - SECC + plastic



SS1900-TA5

Front connector

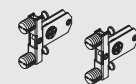
Material - SECC



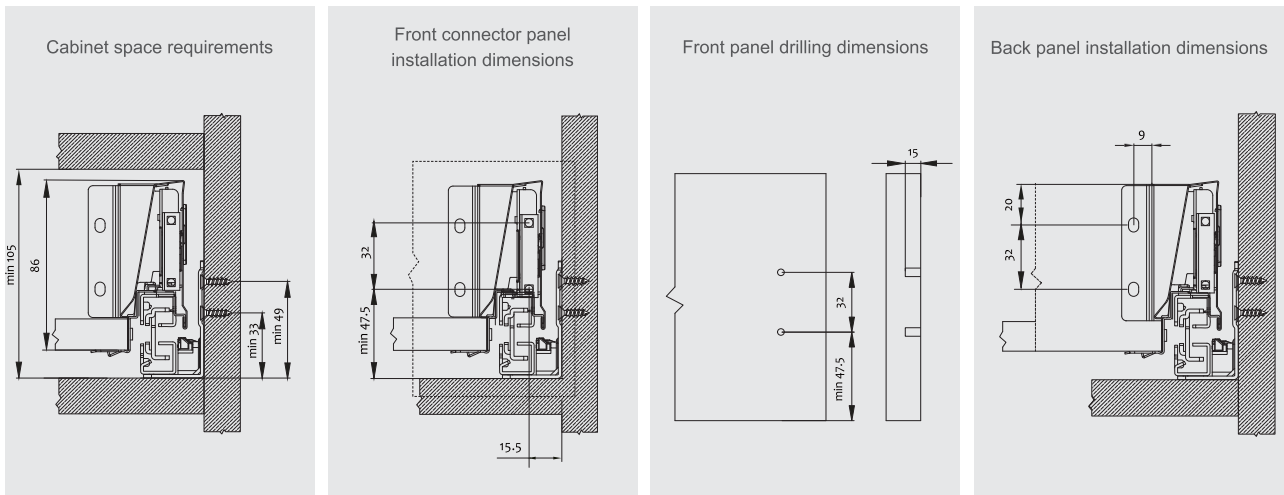
SS1900-TA6

Clip on front connector

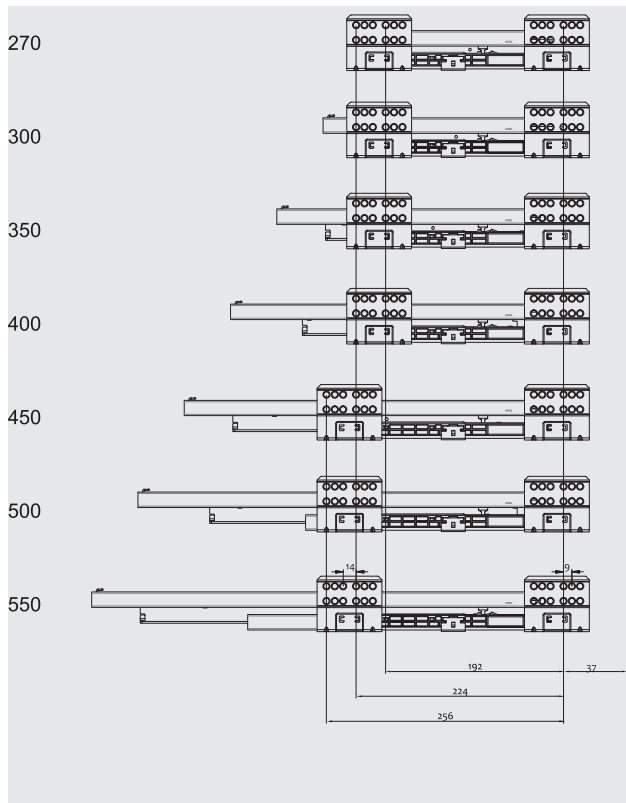
Material - SECC



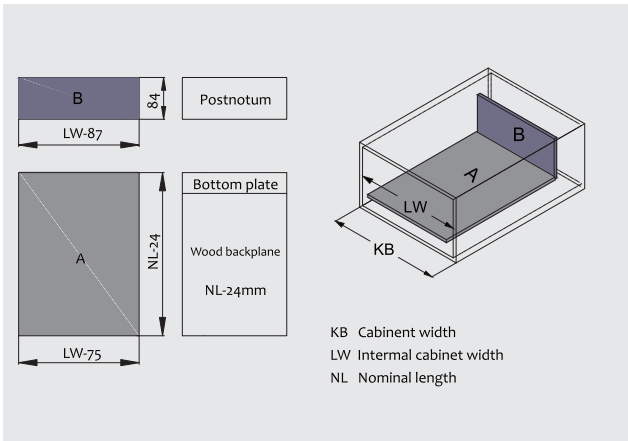
Mounting



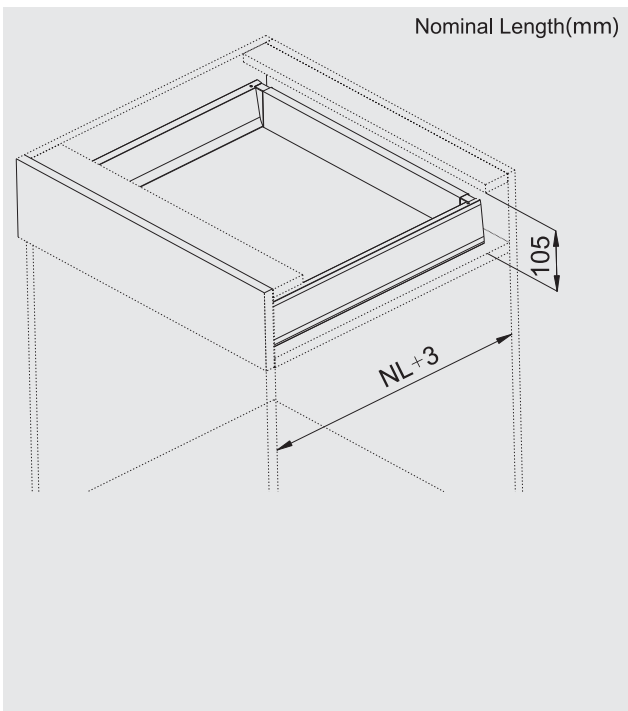
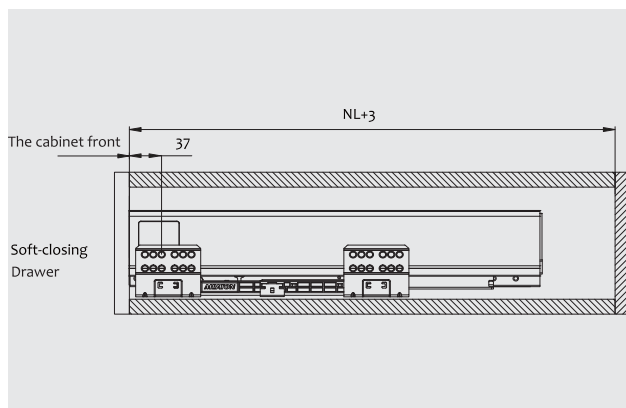
Drawer slide installation dimensions



Cutting dimensions for back panel



Space required



B

Classical Drawer System

CLASSICAL DRAWER SYSTEM

SB1801 - A02/ SB1801 - A02

Inner classical box, height 84mm

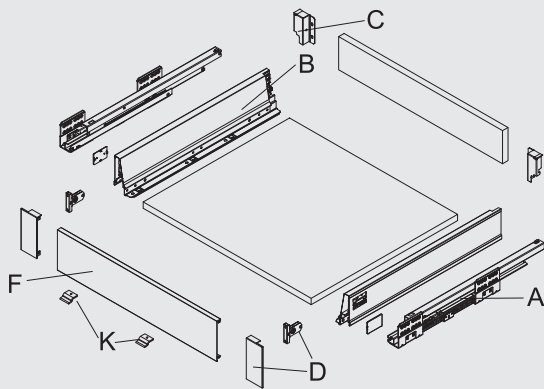


SOFT-CLOSE

- Inner drawer, height 84mm.
- Loading capacity: 40Kg.
- Wide range of depth from 270mm;300mm;350mm;400mm;450mm;500mm;550mm.
- Front panel with different length, 600, 800, 900, 1000, 1200mm.
- 4 regular colors: Black(B), White(W), Dark grey(G), Light grey(O), custom-made colors acceptable.
- Front convenient fine adjustment mechanism integrated.
Up & down ± 1.5 mm, left & right ± 1.5 mm.
- Synchronization mechanism of the slides stabilizes the sliding motion and eliminates noises from the living space.

Product information

Components view



A: SS1801-S

Drawer slide L/R

Material - SECC

Loading capacity: 40kg

Length: 270mm;300mm;350mm;400mm;450mm;500mm;550mm.



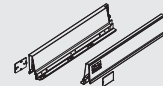
B: SS1801-B

Side wall L/R

Material - cold-rolled steel

Color - Match for set color

Length: 270mm;300mm;350mm;400mm;450mm;500mm;550mm.

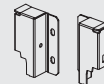


C: SS1800-L86

Back panel connector L/R

Material - cold-rolled steel

Color - Match for set color

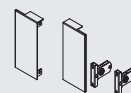


D: SS1801-F86

Inner drawer front connector L/R

Material - cold-rolled steel + plastic

Color - Match for set color

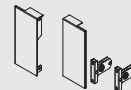


SS1801-F86H

Inner drawer front connector (handle) L/R

Material - cold-rolled steel + plastic

Color - Match for set color



F: SS1800-04

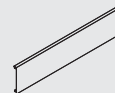
Inner drawer front panel

Material - aluminium

Color - Match for set color

Automatically cut - the cabinet body width LW - 98

Length: 600mm;800mm;900mm;1000mm;1200mm



SS1800-04H

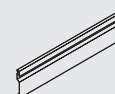
Inner drawer front panel (handle)

Material - aluminium

Color - Match for set color

Automatically cut - the cabinet body width LW - 98

Length: 600mm;800mm;900mm;1000mm;1200mm



K: SS1800-37

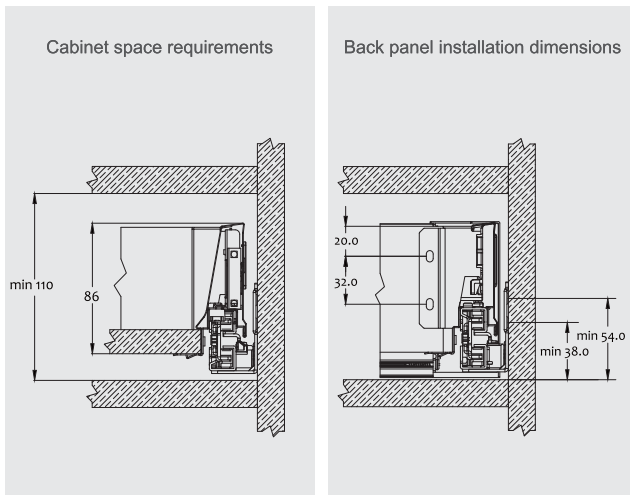
Front panel bracket to bottom panel

Material - plastic

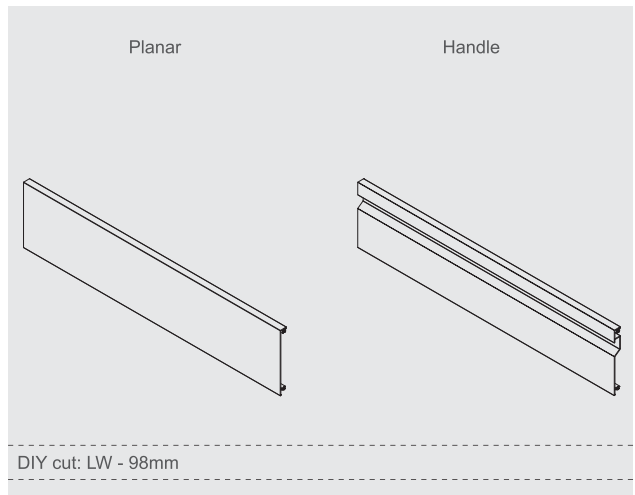
Color - Silver grey



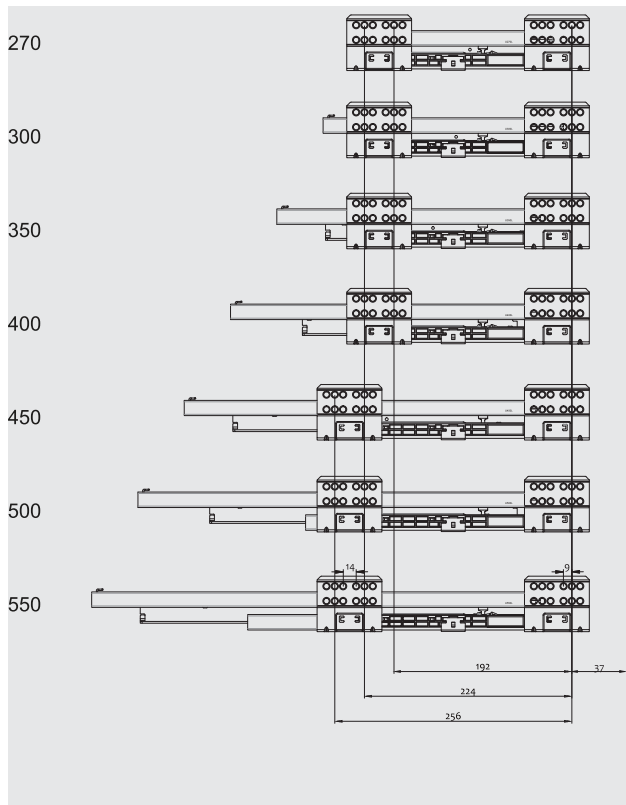
Mounting



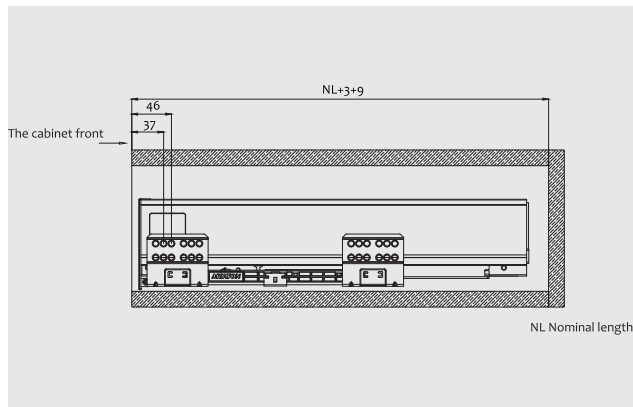
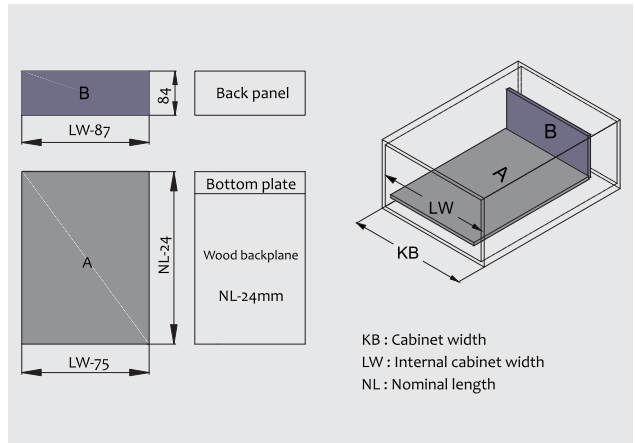
Internal front panel DIY cut



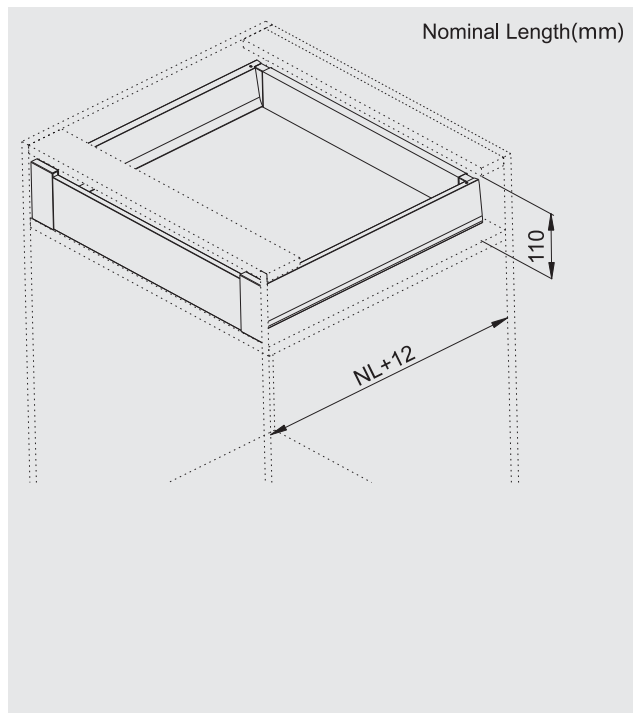
Drawer slide installation dimensions



Cutting dimensions for back panel



Space required

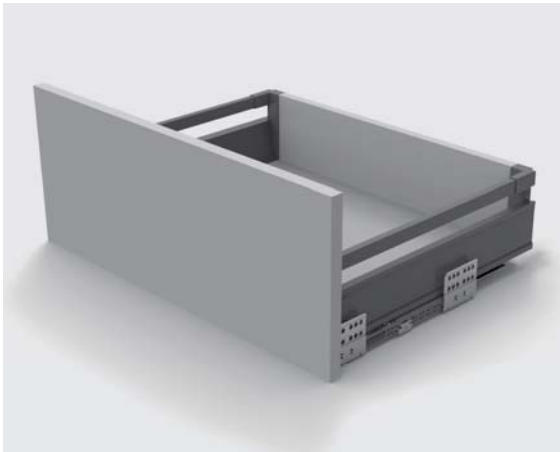


B
Classical Drawer System

CLASSICAL DRAWER SYSTEM

SB1801 - B01

Classical box with side square railings, height 135mm

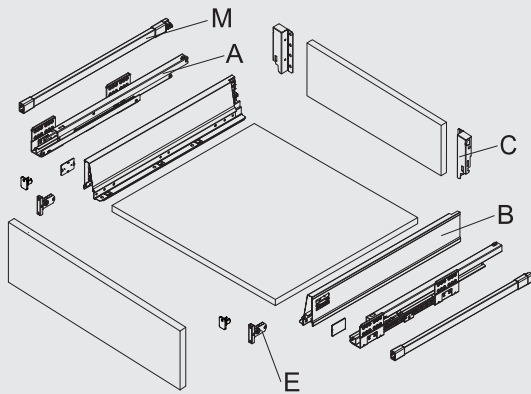


SOFT-CLOSE

- Basic + rectangular side railings, height 135mm.
- Loading capacity: 40Kg.
- Wide range of depth from 270mm;300mm;350mm;400mm;450mm;500mm;550mm.
- 4 regular colors: Black(B), White(W), Dark grey(G), Light grey(O), custom-made colors acceptable.
- Front convenient fine adjustment mechanism integrated. Up & down ± 1.5 mm, left & right ± 1.5 mm.
- Synchronization mechanism of the slides stabilizes the sliding motion and eliminates noises from the living space.

Product information

Components view



A: SS1801-S

Drawer slide L/R

Material - SECC

Loading capacity: 40kg

Length: 270mm;300mm;350mm;400mm;450mm;500mm;550mm.



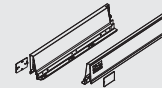
B: SS1801-B

Side wall L/R

Material - cold-rolled steel

Color - Match for set color

Length: 270mm;300mm;350mm;400mm;450mm;500mm;550mm.



C: SS1800-L135

Back panel connector L/R

Material - cold-rolled steel

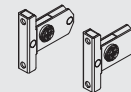
Color - Match for set color



E: SS1900-TA1

Front connector

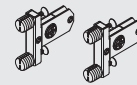
Material - SECC + plastic



SS1900-TA2

Clip on front connector

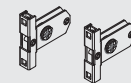
Material - SECC + plastic



SS1900-TA5

Front connector

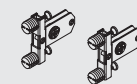
Material - SECC



SS1900-TA6

Clip on front connector

Material - SECC



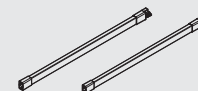
M: SS1801-12

Side square railings

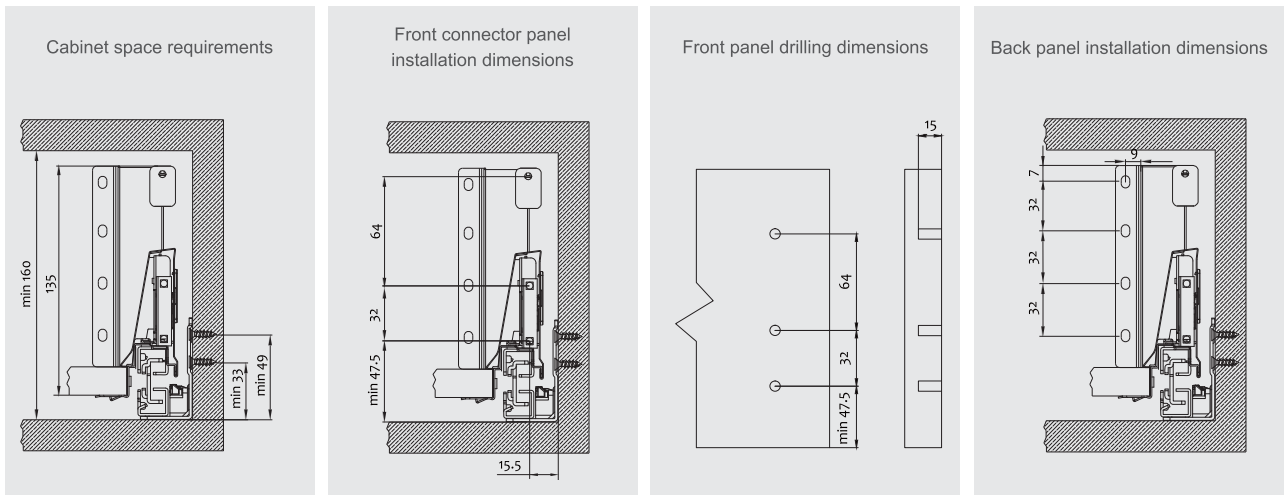
Material - aluminium + plastic

Color - Match for set color

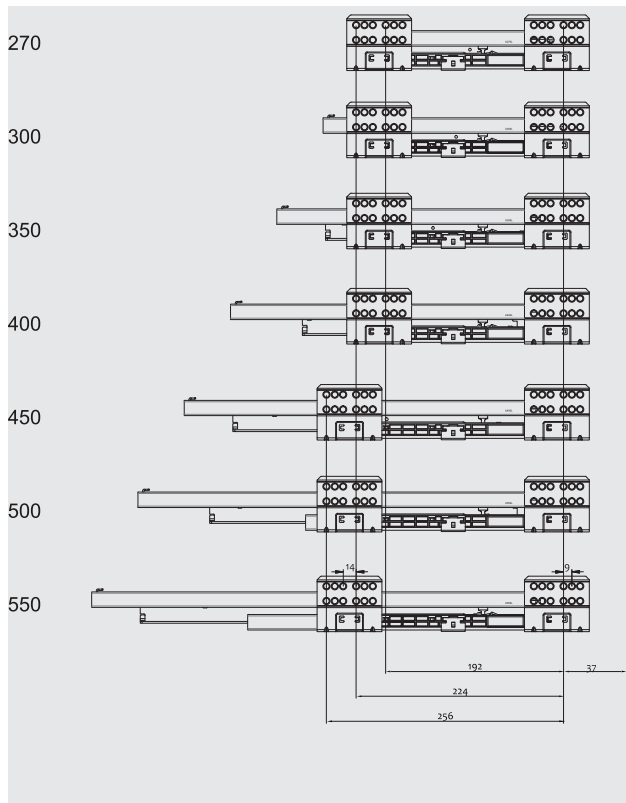
Length: 270mm;300mm;350mm;400mm;450mm;500mm;550mm.



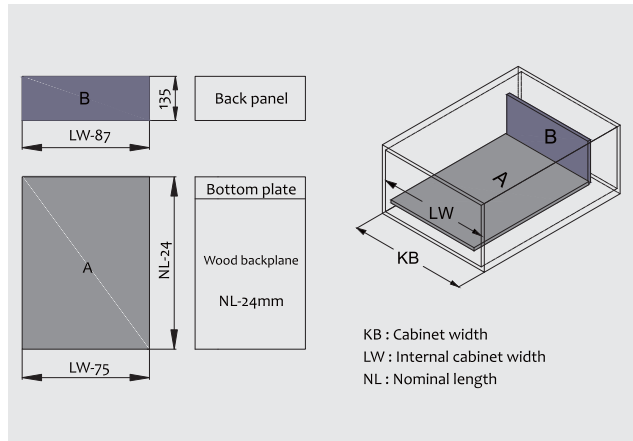
Mounting



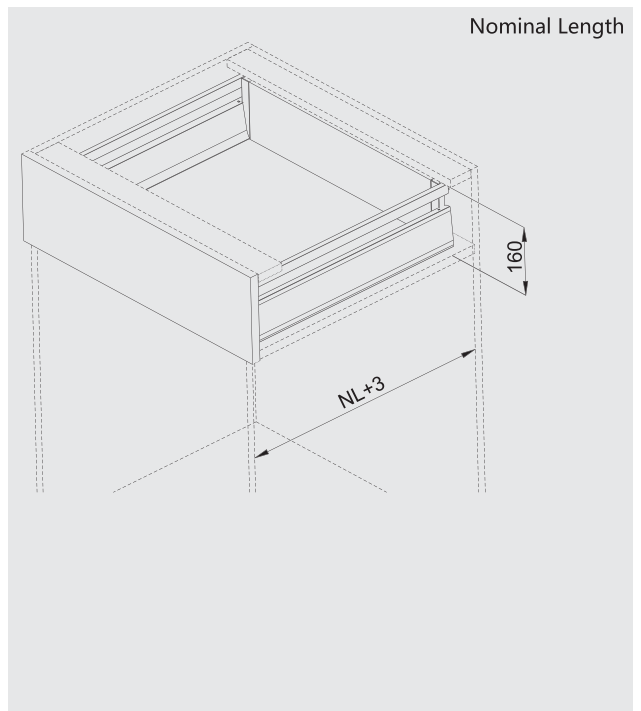
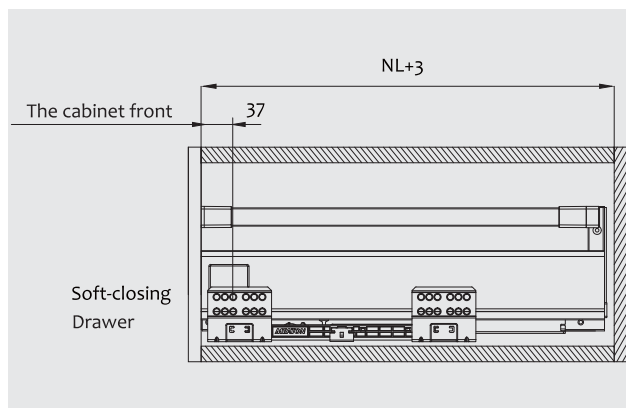
Drawer slide installation dimensions



Cutting dimensions for back panel



Space required



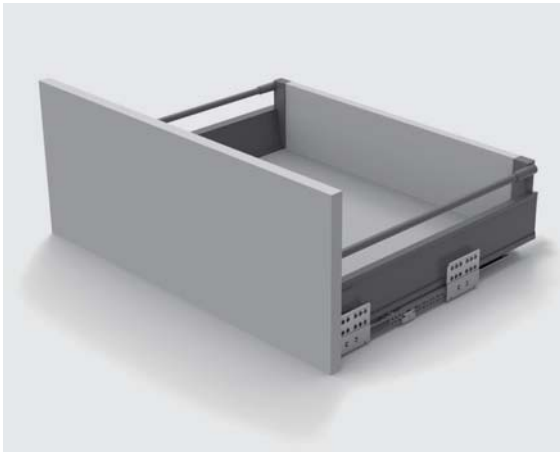
B

Classical Drawer System

CLASSICAL DRAWER SYSTEM

SB1801 - B02

Classical box with side round railings, height 135mm

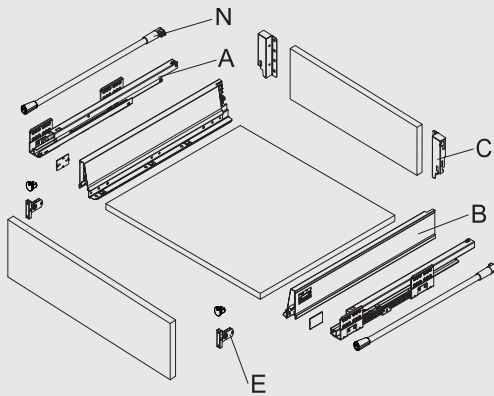


SOFT-CLOSE

- Basic + round side railings, height 135mm.
- Loading capacity: 40Kg.
- Wide range of depth from 270mm;300mm;350mm;400mm;450mm;500mm;550mm.
- 4 regular colors: Black(B), White(W), Dark grey(G), Light grey(O), custom-made colors acceptable.
- Front convenient fine adjustment mechanism integrated. Up & down ± 1.5 mm, left & right ± 1.5 mm.
- Synchronization mechanism of the slides stabilizes the sliding motion and eliminates noises from the living space.

Product information

Components view



A: SS1801-S

Drawer slide L/R

Material - SECC

Loading capacity: 40kg

Length: 270mm;300mm;350mm;400mm;450mm;500mm;550mm.



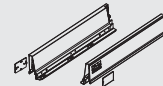
B: SS1801-B

Side wall L/R

Material - cold-rolled steel

Color - Match for set color

Length: 270mm;300mm;350mm;400mm;450mm;500mm;550mm.



C: SS1800-L135

Back panel connector L/R

Material - cold-rolled steel

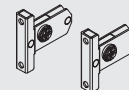
Color - Match for set color



E: SS1900-TA1

Front connector

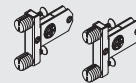
Material - SECC + plastic



SS1900-TA2

Clip on front connector

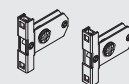
Material - SECC + plastic



SS1900-TA5

Front connector

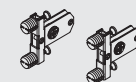
Material - SECC



SS1900-TA6

Clip on front connector

Material - SECC



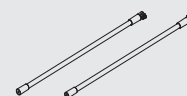
N: SS1801-19

Side round railings

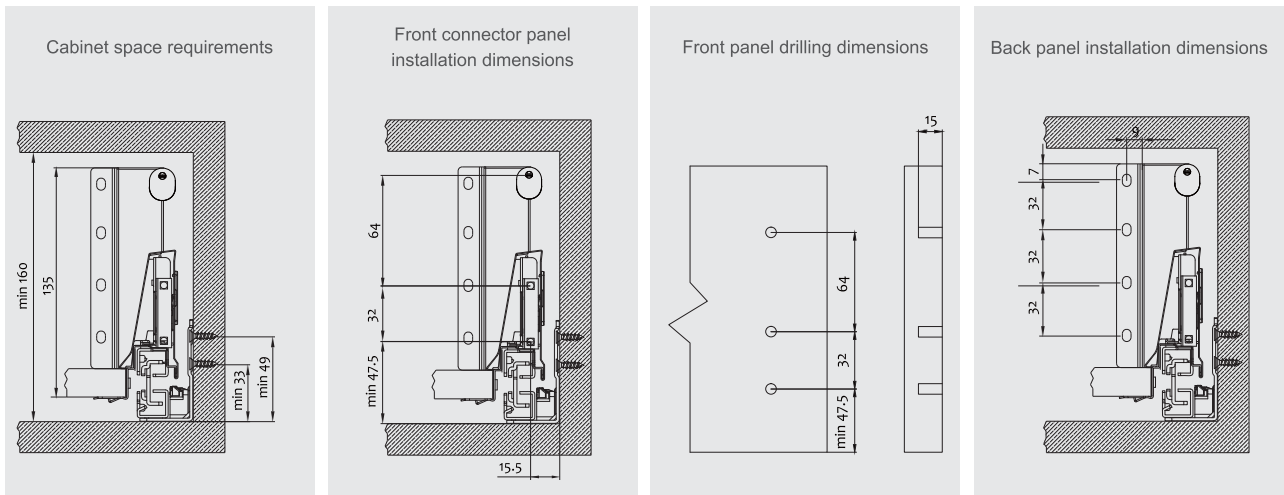
Material - aluminium + plastic

Color - Match for set color

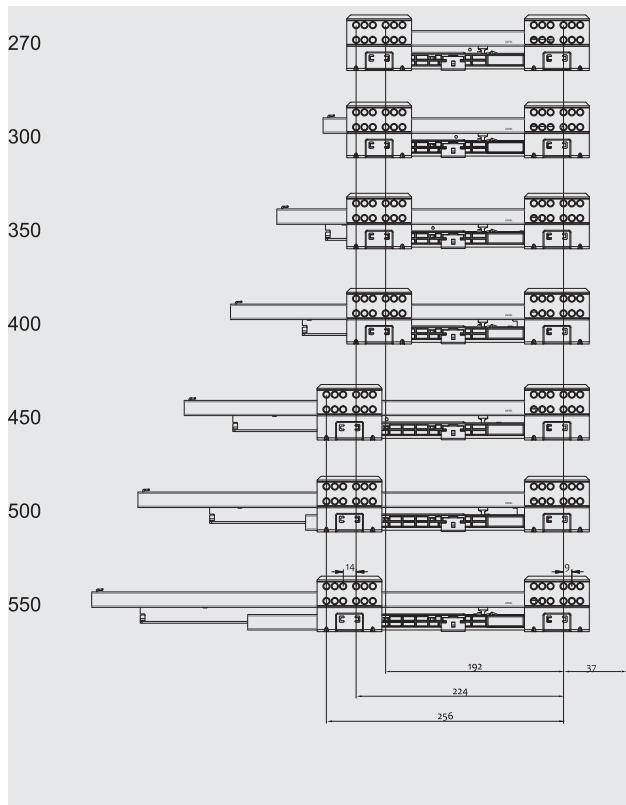
Length: 270mm;300mm;350mm;400mm;450mm;500mm;550mm.



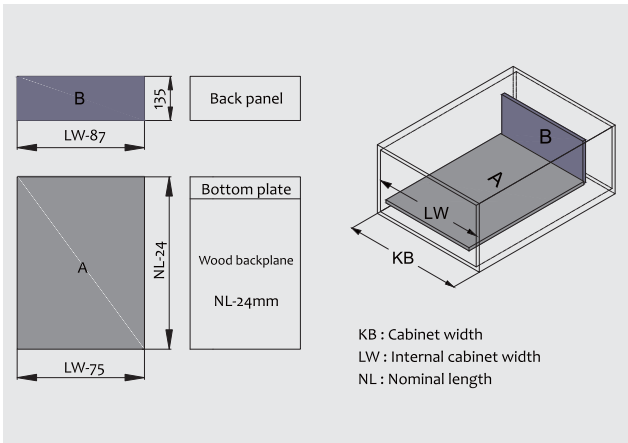
Mounting



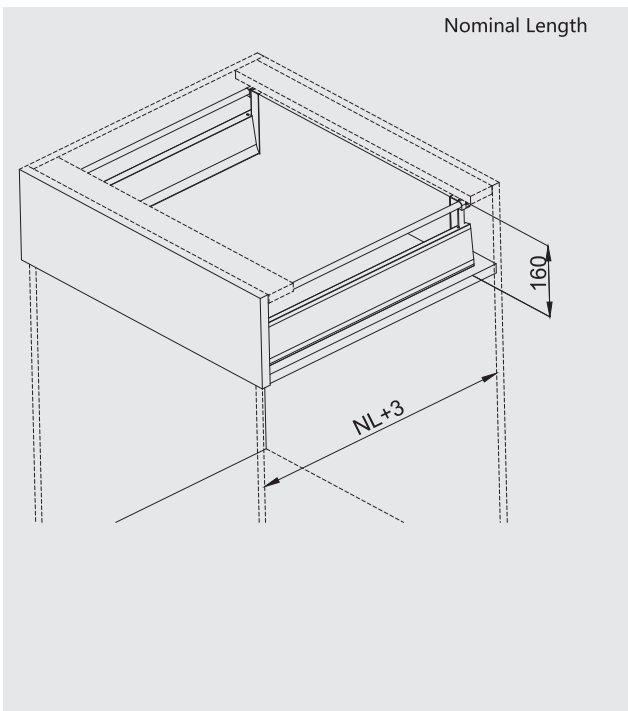
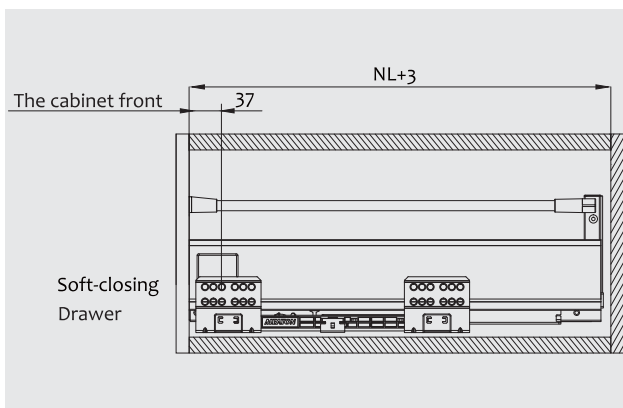
Drawer slide installation dimensions



Cutting dimensions for back panel



Space required



B

Classical Drawer System

CLASSICAL DRAWER SYSTEM

SB1801 - B03/ SB1801 - B03H



Inner classical box with side square railings and front panel square railing, height 135mm



SOFT-CLOSE

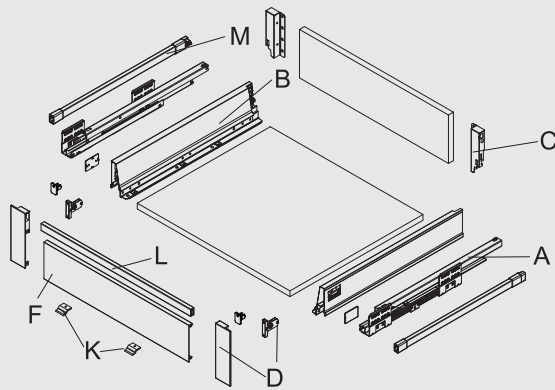
- Inner drawer, height 135mm.
- Loading capacity: 40Kg.
- Wide range of depth from 270mm;300mm;350mm;400mm;450mm;500mm;550mm.
- Front panel with different length, 600, 800, 900, 1000, 1200mm.
- 4 regular colors: Black(B), White(W), Dark grey(G), Light grey(O), custom-made colors acceptable.
- Front convenient fine adjustment mechanism integrated.
Up & down ± 1.5 mm, left & right ± 1.5 mm.
- Synchronization mechanism of the slides stabilizes the sliding motion and eliminates noises from the living space.

B

Classical Drawer System

Product information

Components view



A: SS1801-S

Drawer slide L/R

Material - SECC

Loading capacity: 40kg

Length: 270mm;300mm;350mm;400mm;450mm;500mm;550mm.



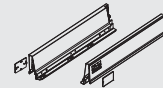
B: SS1801-B

Side wall L/R

Material - cold-rolled steel

Color - Match for set color

Length: 270mm;300mm;350mm;400mm;450mm;500mm;550mm.



C: SS1800-L135

Back panel connector L/R

Material - cold-rolled steel

Color - Match for set color

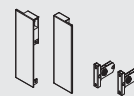


D: SS1801-F135

Inner drawer front connector L/R

Material - cold-rolled steel + plastic

Color - Match for set color

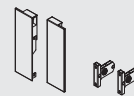


SS1801-F135H

Inner drawer front connector (handle) L/R

Material - cold-rolled steel + plastic

Color - Match for set color



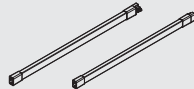
M: SS1801-12

Side square railings

Material - aluminium + plastic

Color - Match for set color

Length: 270mm;300mm;350mm;400mm;450mm;500mm;550mm.



L: S52932

Front square railing

Material - aluminium

Color - Match for set color

Automatically cut - the cabinet body width LW - 85

Length: 600mm;800mm;900mm;1000mm;1200mm

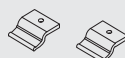


K: SS1800-37

Front panel bracket to bottom panel

Material - plastic

Color - Silver grey



F: SS1800-04

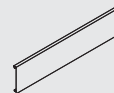
Inner drawer front panel

Material - aluminium

Color - Match for set color

Automatically cut - the cabinet body width LW - 98

Length: 600mm;800mm;900mm;1000mm;1200mm



SS1800-04H

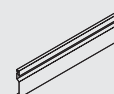
Inner drawer front panel (handle)

Material - aluminium

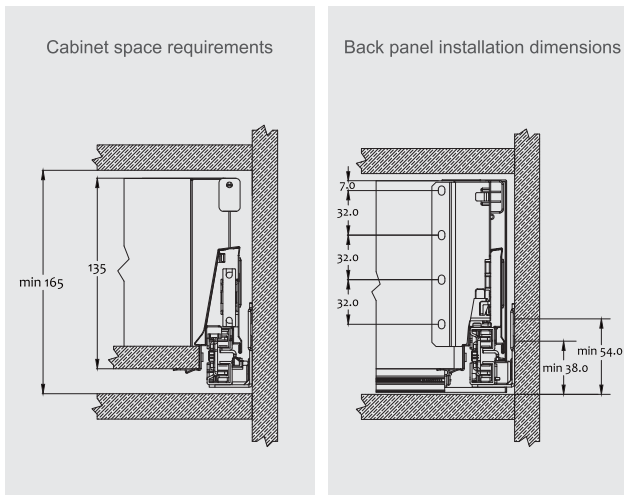
Color - Match for set color

Automatically cut - the cabinet body width LW - 98

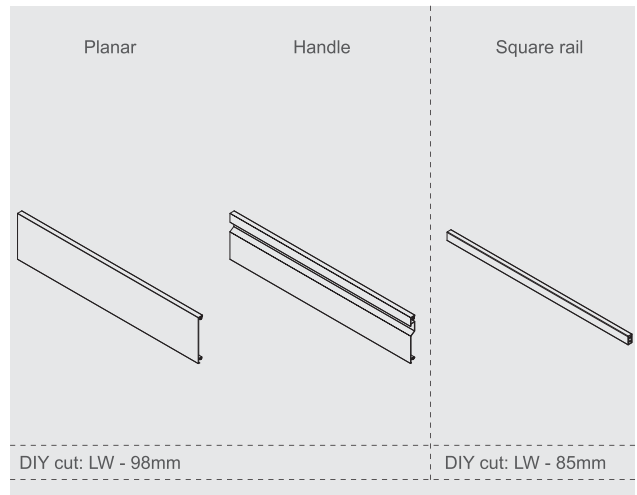
Length: 600mm;800mm;900mm;1000mm;1200mm



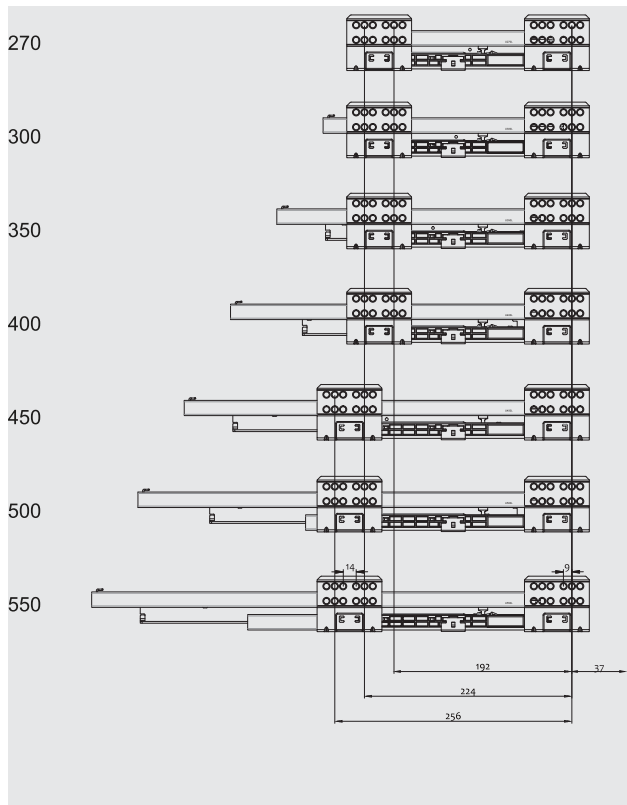
Mounting



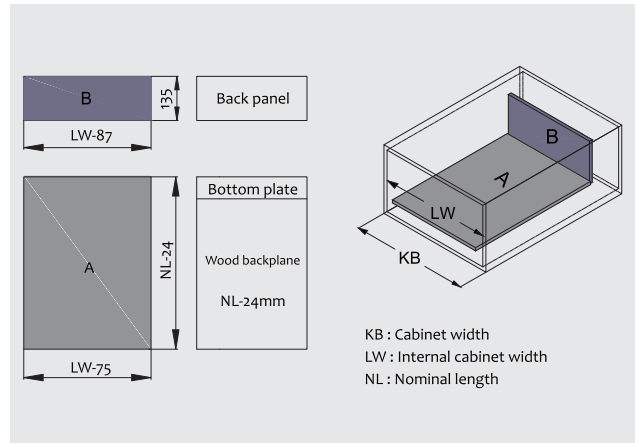
Internal front panel DIY cut



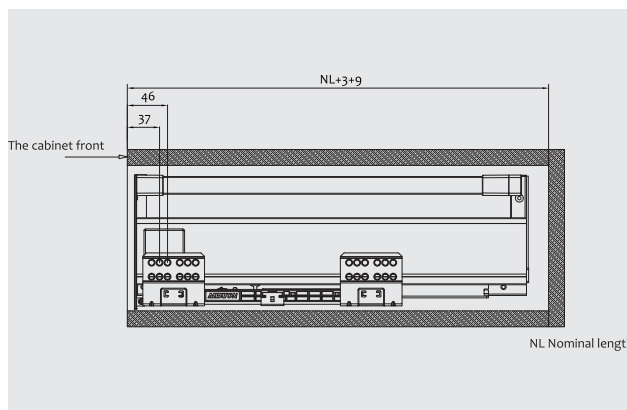
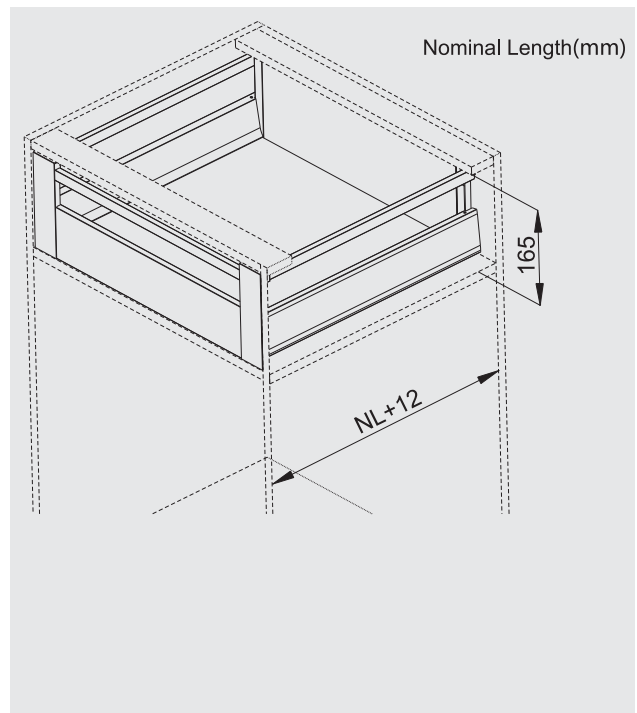
Drawer slide installation dimensions



Cutting dimensions for back panel



Space required



CLASSICAL DRAWER SYSTEM

SB1801 - C01

Classical box with side square railings, height 167mm

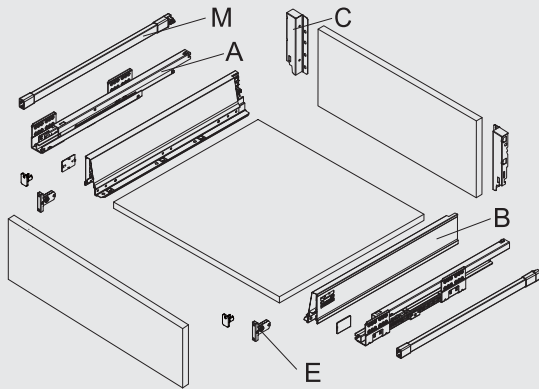


SOFT-CLOSE

- Basic + rectangular side railings, height 167mm.
- Loading capacity: 40Kg.
- Wide range of depth from 270mm;300mm;350mm;400mm;450mm;500mm;550mm.
- 4 regular colors: Black(B), White(W), Dark grey(G), Light grey(O), custom-made colors acceptable.
- Front convenient fine adjustment mechanism integrated. Up & down ± 1.5 mm, left & right ± 1.5 mm.
- Synchronization mechanism of the slides stabilizes the sliding motion and eliminates noises from the living space.

Product information

Components view



A: SS1801-S

Drawer slide L/R

Material - SECC

Loading capacity: 40kg

Length: 270mm;300mm;350mm;400mm;450mm;500mm;550mm.



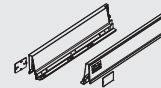
B: SS1801-B

Side wall L/R

Material - cold-rolled steel

Color - Match for set color

Length: 270mm;300mm;350mm;400mm;450mm;500mm;550mm.



C: SS1800-L167

Back panel connector L/R

Material - cold-rolled steel

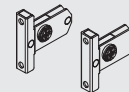
Color - Match for set color



E: SS1900-TA1

Front connector

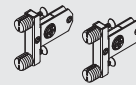
Material - SECC + plastic



SS1900-TA2

Clip on front connector

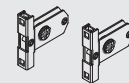
Material - SECC + plastic



SS1900-TA5

Front connector

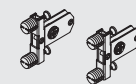
Material - SECC



SS1900-TA6

Clip on front connector

Material - SECC



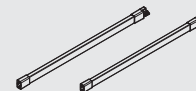
M: SS1801-12

Side square railings

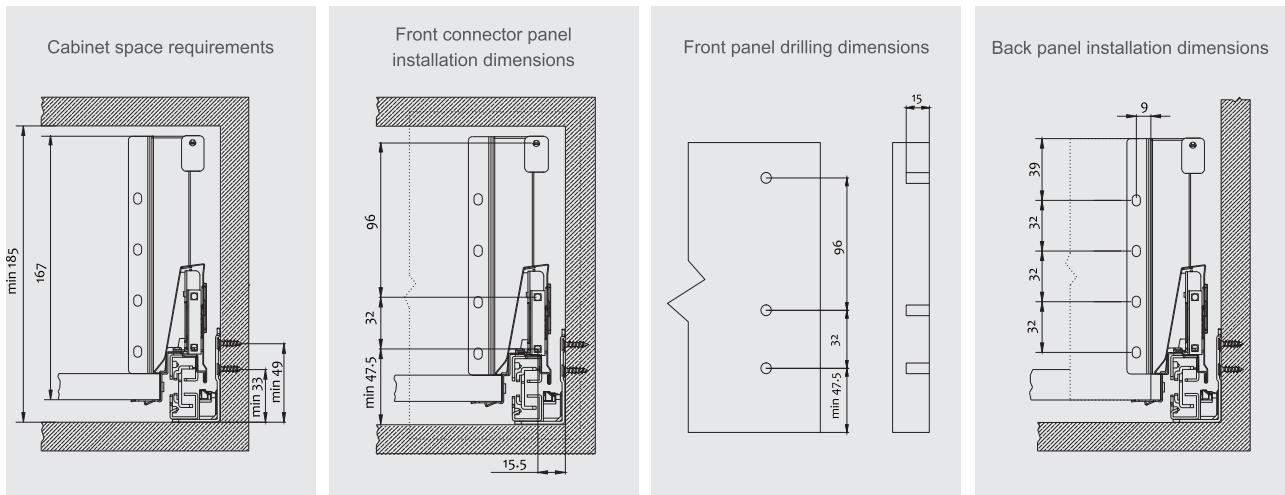
Material - aluminium + plastic

Color - Match for set color

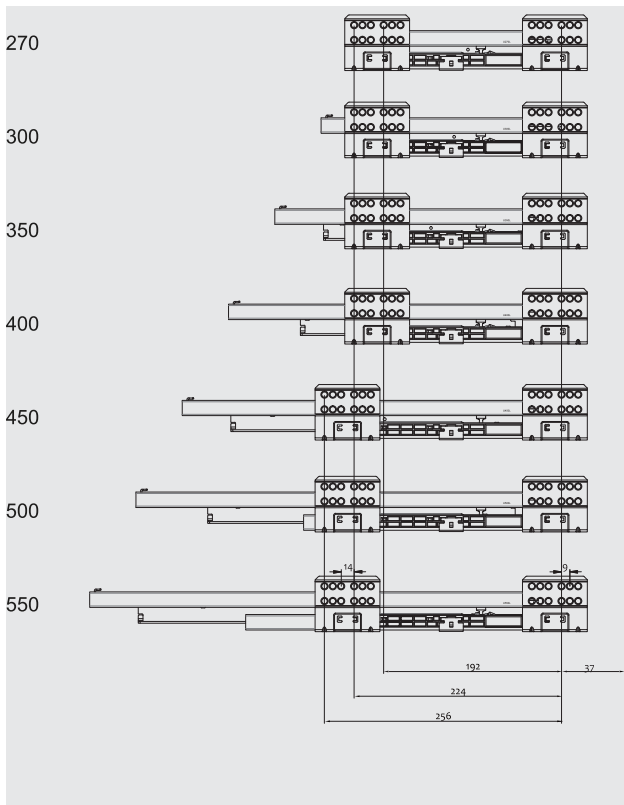
Length: 270mm;300mm;350mm;400mm;450mm;500mm;550mm.



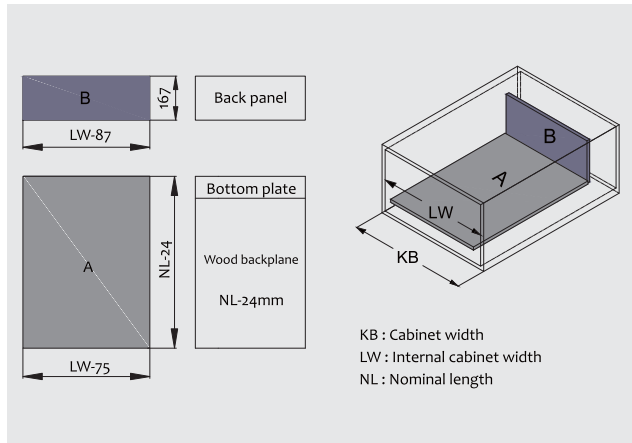
Mounting



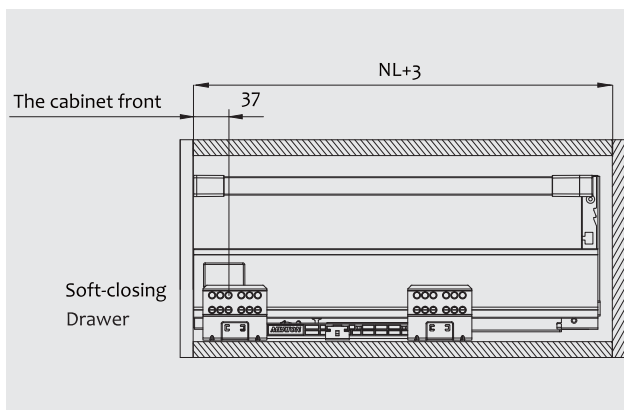
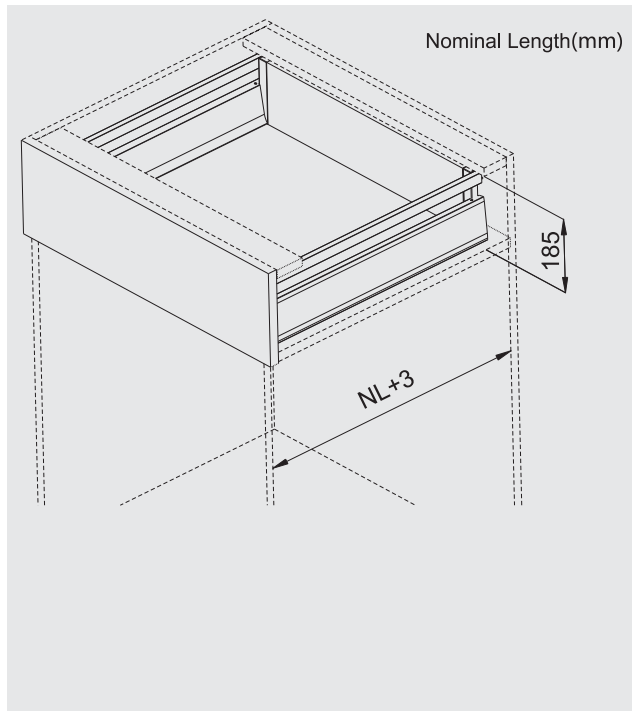
Drawer slide installation dimensions



Cutting dimensions for back panel



Space required



B

Classical Drawer System

CLASSICAL DRAWER SYSTEM

SB1801 - C02

Classical box with side round railings, height 167mm

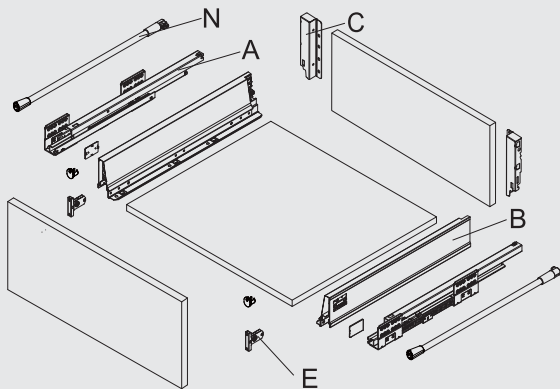


SOFT-CLOSE

- Basic + round side railings, height 167mm.
- Loading capacity: 40Kg.
- Wide range of depth from 270mm;300mm;350mm;400mm;450mm;500mm;550mm.
- 4 regular colors: Black(B), White(W), Dark grey(G), Light grey(O), custom-made colors acceptable.
- Front convenient fine adjustment mechanism integrated. Up & down ± 1.5 mm, left & right ± 1.5 mm.
- Synchronization mechanism of the slides stabilizes the sliding motion and eliminates noises from the living space.

Product information

Components view



A: SS1801-S

Drawer slide L/R

Material - SECC

Loading capacity: 40kg

Length: 270mm;300mm;350mm;400mm;450mm;500mm;550mm.



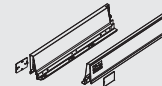
B: SS1801-B

Side wall L/R

Material - cold-rolled steel

Color - Match for set color

Length: 270mm;300mm;350mm;400mm;450mm;500mm;550mm.



C: SS1800-L167

Back panel connector L/R

Material - cold-rolled steel

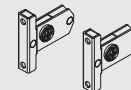
Color - Match for set color



E: SS1900-TA1

Front connector

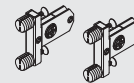
Material - SECC + plastic



SS1900-TA2

Clip on front connector

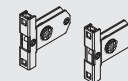
Material - SECC + plastic



SS1900-TA5

Front connector

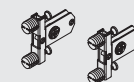
Material - SECC



SS1900-TA6

Clip on front connector

Material - SECC



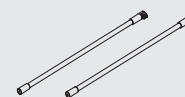
N: SS1801-19

Side round railings

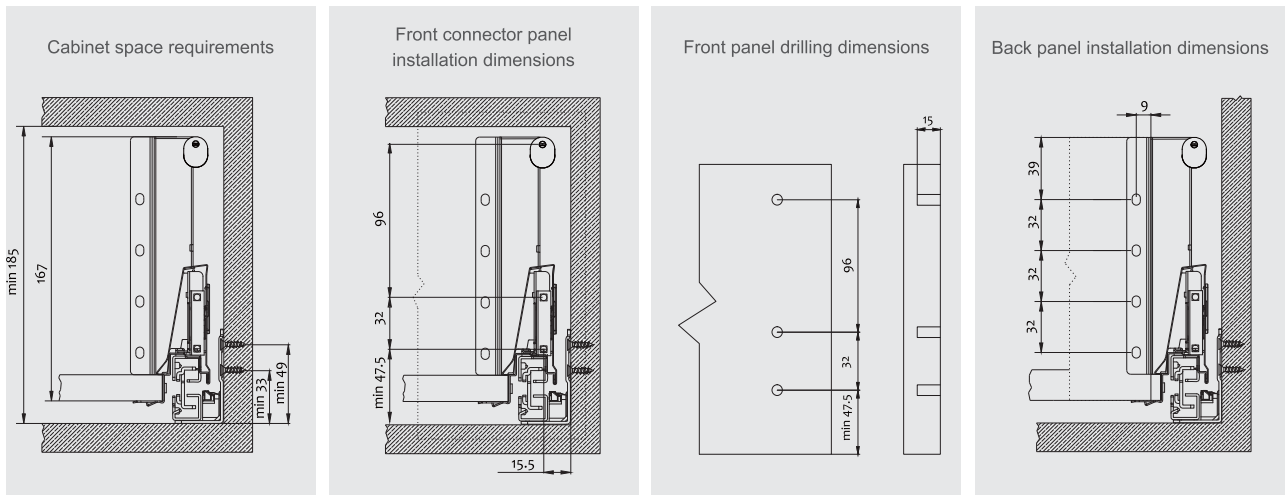
Material - aluminium + plastic

Color - Match for set color

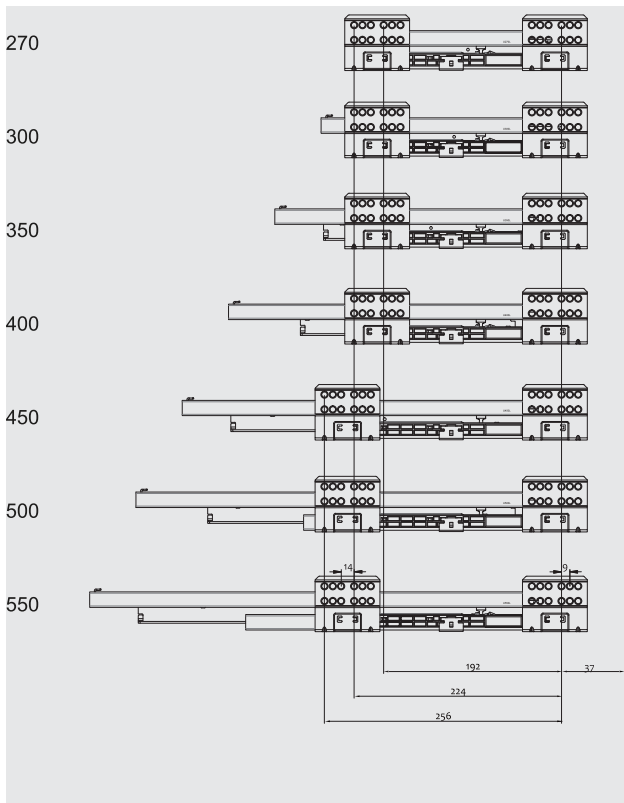
Length: 270mm;300mm;350mm;400mm;450mm;500mm;550mm.



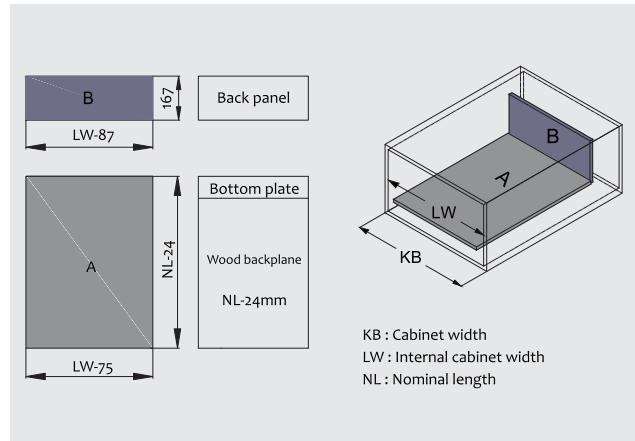
Mounting



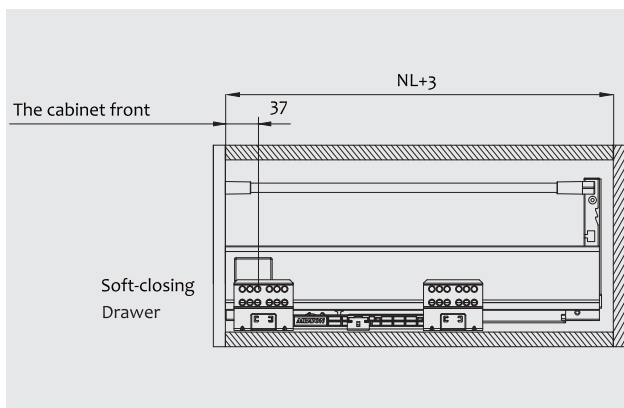
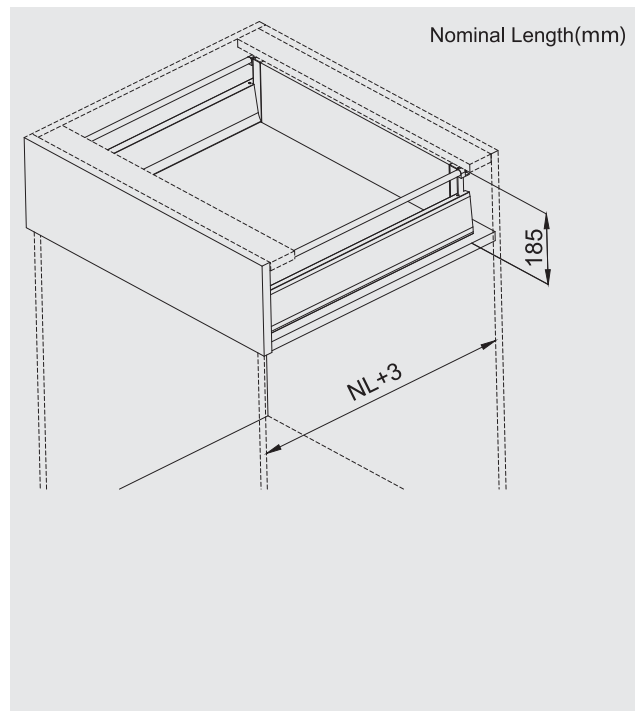
Drawer slide installation dimensions



Cutting dimensions for back panel



Space required



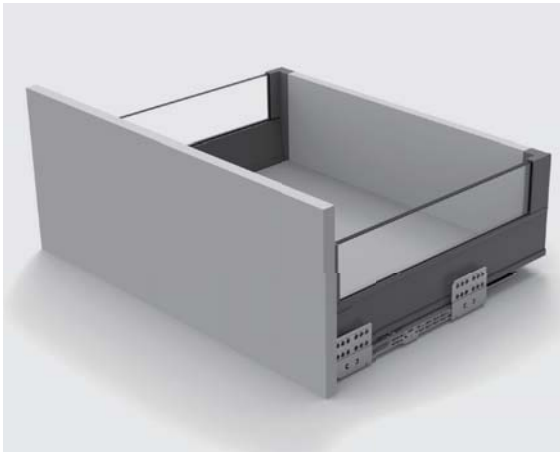
B

Classical Drawer System

CLASSICAL DRAWER SYSTEM

SB1801 - C03

Classical box with extended side glass, height 167mm

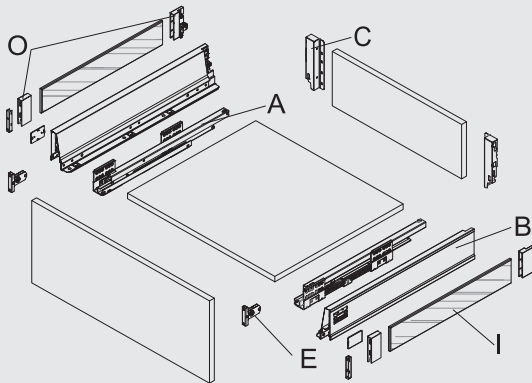


SOFT-CLOSE

- Basic + 8mm side glass plates, height 167mm.
- Loading capacity: 40Kg.
- Wide range of depth from 350mm;400mm;450mm;500mm;550mm.
- 4 regular colors: Black(B), White(W), Dark grey(G), Light grey(O), custom-made colors acceptable.
- Front convenient fine adjustment mechanism integrated. Up & down ± 1.5 mm, left & right ± 1.5 mm.
- Synchronization mechanism of the slides stabilizes the sliding motion and eliminates noises from the living space.

Product information

Components view



A: SS1801-S

Drawer slide L/R

Material - SECC

Loading capacity: 40kg

Length: 350mm;400mm;450mm;500mm;550mm.



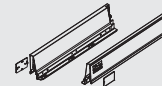
B: SS1801-B

Side wall L/R

Material - cold-rolled steel

Color - Match for set color

Length: 350mm;400mm;450mm;500mm;550mm.



C: SS1800-L167

Back panel connector L/R

Material - cold-rolled steel

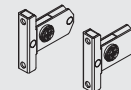
Color - Match for set color



E: SS1900-TA1

Front connector

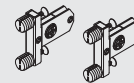
Material - SECC + plastic



SS1900-TA2

Clip on front connector

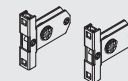
Material - SECC + plastic



SS1900-TA5

Front connector

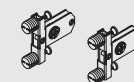
Material - SECC



SS1900-TA6

Clip on front connector

Material - SECC

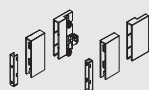


O: SS1800-07

8mm Glass fasteners L/R

Material - SECC + plastic

Color - Match for set color



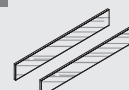
I: SS1800-06T/ SS1800-06S

8mm Glass plates L/R

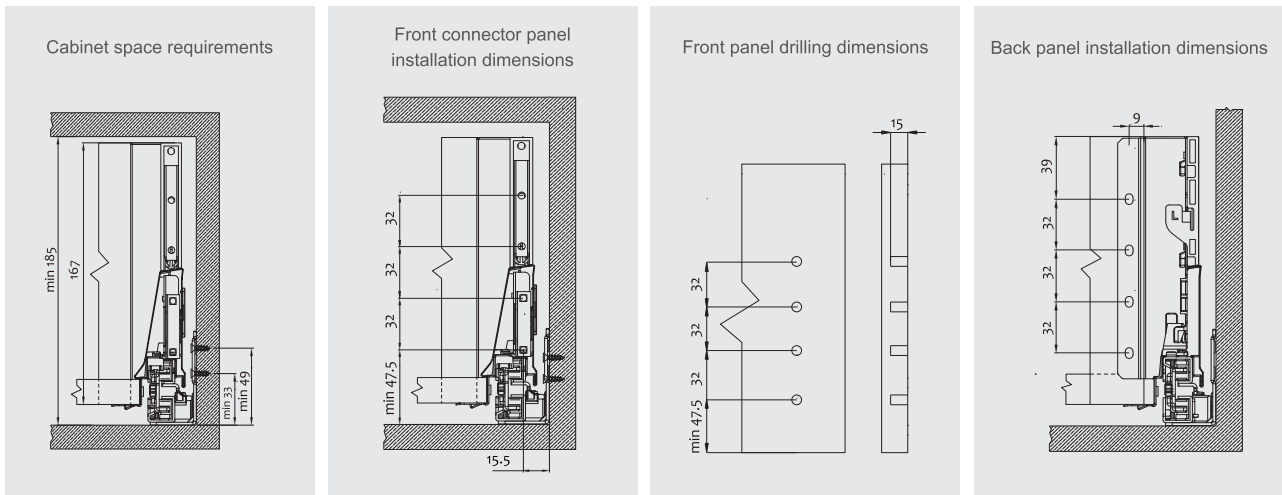
Material - glass

Color - transparent/ frosted

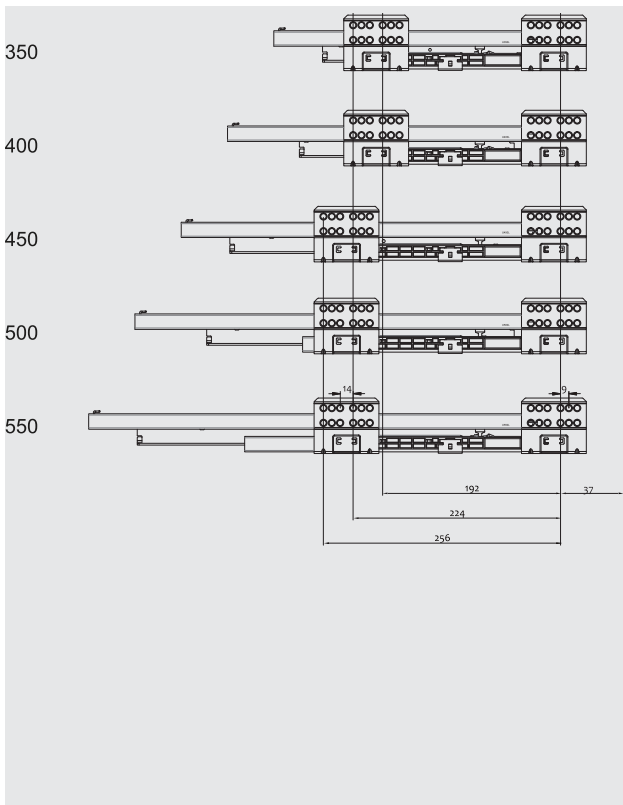
Length: 350mm;400mm;450mm;500mm;550mm.



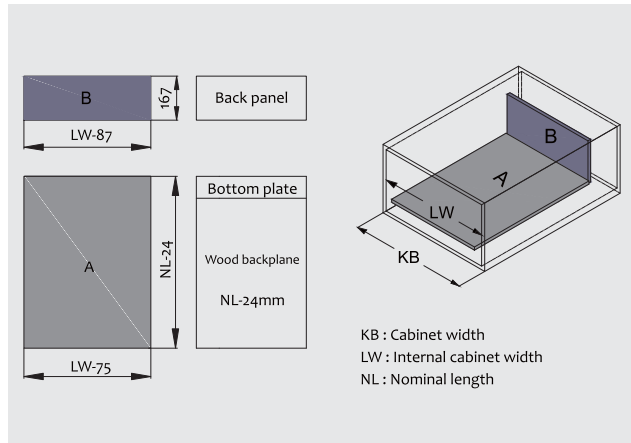
Mounting



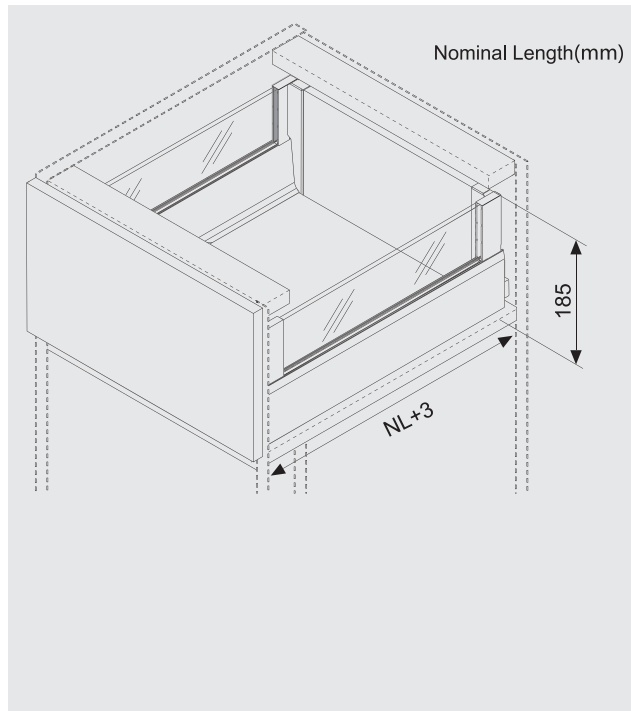
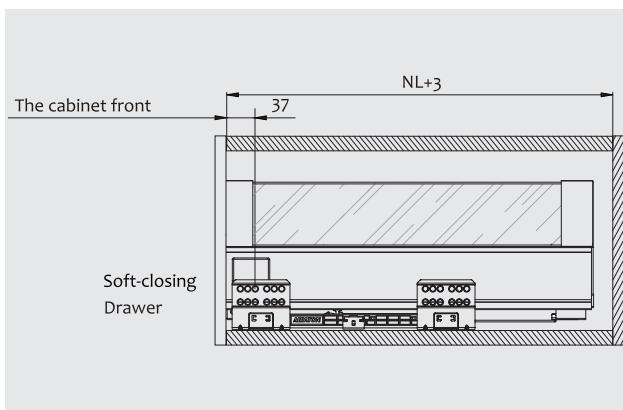
Drawer slide installation dimensions



Cutting dimensions for back panel



Space required



CLASSICAL DRAWER SYSTEM

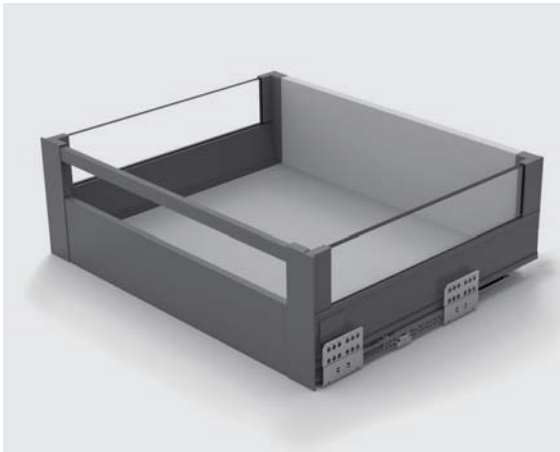
SB1801 - C05/ SB1801 - C05H

Inner classical box with extended side glass and front panel with square railing, height 167mm



B

Classical Drawer System

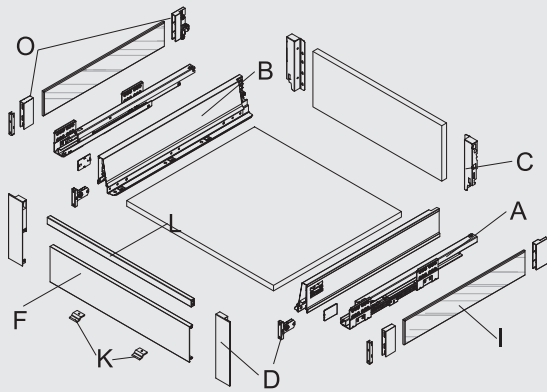


SOFT-CLOSE

- Inner drawer, height 167mm.
- Loading capacity: 40Kg.
- Wide range of depth from 350mm;400mm;450mm;500mm;550mm.
- Front panel with different length, 600, 800, 900, 1000, 1200mm.
- 4 regular colors: Black(B), White(W), Dark grey(G), Light grey(O), custom-made colors acceptable.
- Front convenient fine adjustment mechanism integrated. Up & down ± 1.5 mm, left & right ± 1.5 mm.
- Synchronization mechanism of the slides stabilizes the sliding motion and eliminates noises from the living space.

Product information

Components view



A: SS1801-S

Drawer slide L/R

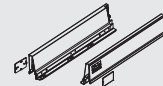
Material - SECC
Loading capacity: 40kg
Length: 350mm;400mm;450mm;500mm;550mm.



B: SS1801-B

Side wall L/R

Material - cold-rolled steel
Color - Match for set color
Length: 350mm;400mm;450mm;500mm;550mm.



C: SS1800-L167

Back panel connector L/R

Material - cold-rolled steel
Color - Match for set color



L: S52932

Front square railing

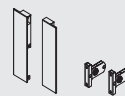
Material - aluminium
Color - Match for set color
Automatically cut - the cabinet body width LW - 85
Length: 600mm;800mm;900mm;1000mm;1200mm



D: SS1801-F167

Inner drawer front connector L/R

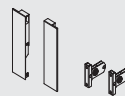
Material - cold-rolled steel + plastic
Color - Match for set color



SS1801-F167H

Inner drawer front connector (handle) L/R

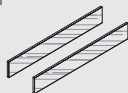
Material - cold-rolled steel + plastic
Color - Match for set color



I: SS1800-06T/ SS1800-06S

8mm Glass plates L/R

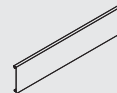
Material - glass
Color - transparent/ frosted
Length: 350mm;400mm;450mm;500mm;550mm.



F: SS1800-04

Inner drawer front panel

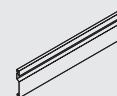
Material - aluminium
Color - Match for set color
Automatically cut - the cabinet body width LW - 98
Length: 600mm;800mm;900mm;1000mm;1200mm



SS1800-04H

Inner drawer front panel (handle)

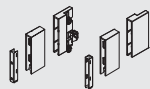
Material - aluminium
Color - Match for set color
Automatically cut - the cabinet body width LW - 98
Length: 600mm;800mm;900mm;1000mm;1200mm



O: SS1800-07

8mm Glass fasteners L/R

Material - SECC + plastic
Color - Match for set color



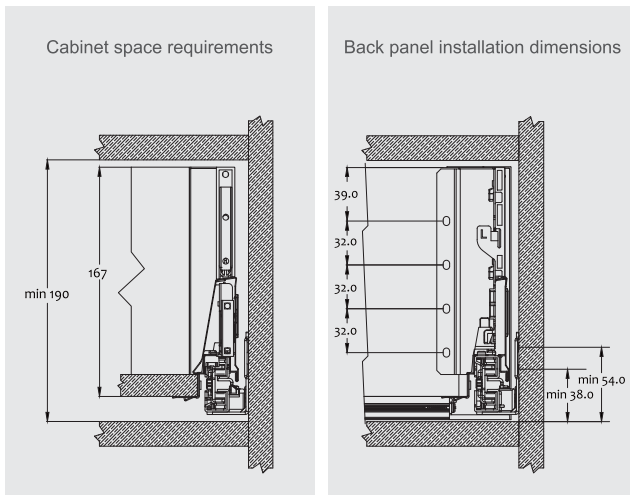
K: SS1800-37

Front panel bracket to bottom panel

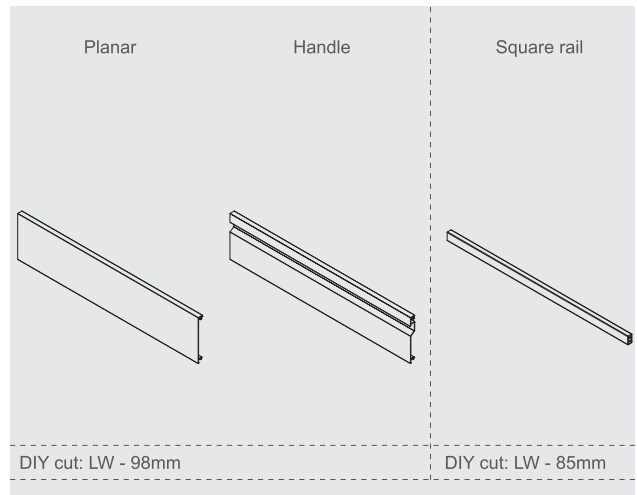
Material - plastic
Color - Silver grey



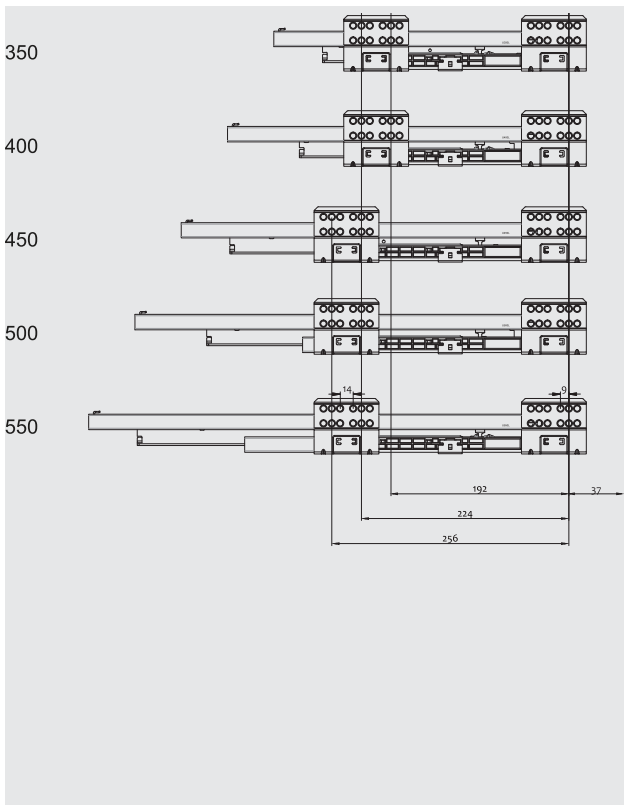
Mounting



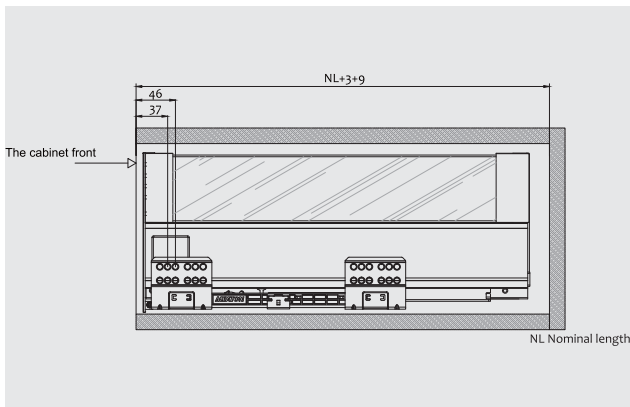
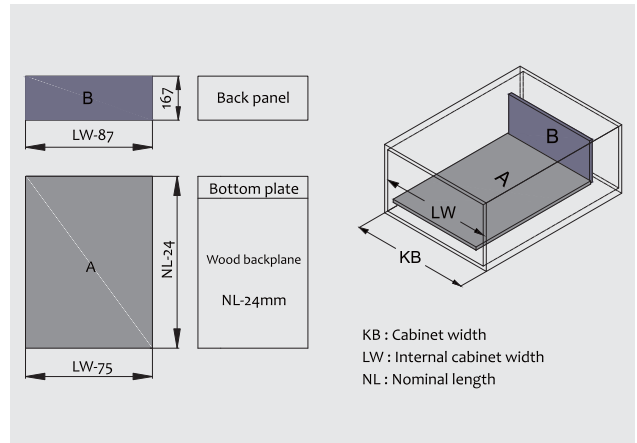
Internal front panel DIY cut



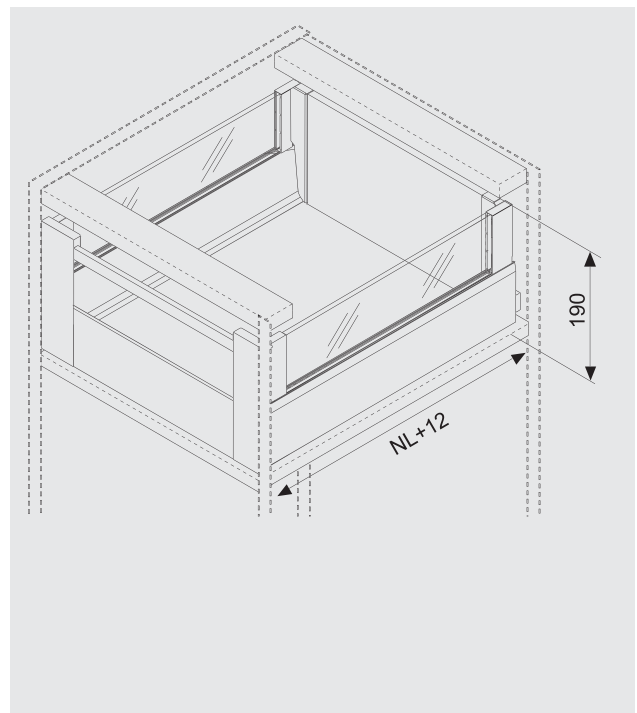
Drawer slide installation dimensions



Cutting dimensions for back panel



Space required



B

Classical Drawer System

CLASSICAL DRAWER SYSTEM

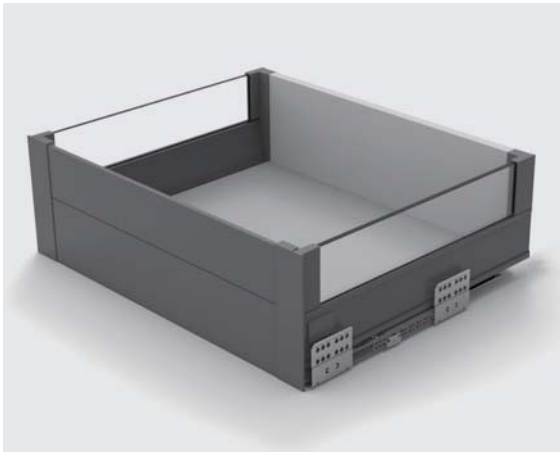
SB1801 - C06/ SB1801 - C06H

Inner classical box with extended side glass and front panel, height 167mm



B

Classical Drawer System

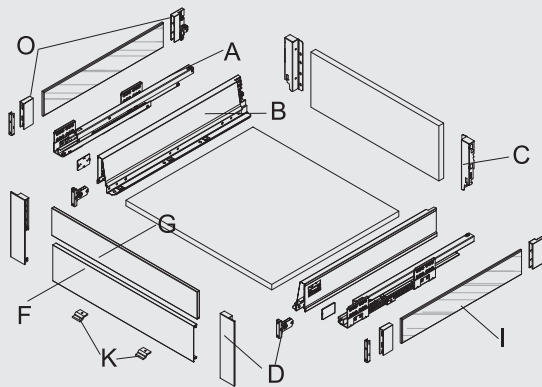


SOFT-CLOSE

- Inner drawer, height 167mm.
- Loading capacity: 40Kg.
- Wide range of depth from 350mm;400mm;450mm;500mm;550mm.
- Front panel with different length, 600, 800, 900, 1000, 1200mm.
- 4 regular colors: Black(B), White(W), Dark grey(G), Light grey(O), custom-made colors acceptable.
- Front convenient fine adjustment mechanism integrated.
Up & down ± 1.5 mm, left & right ± 1.5 mm.
- Synchronization mechanism of the slides stabilizes the sliding motion and eliminates noises from the living space.

Product information

Components view



A: SS1801-S

Drawer slide L/R

Material - SECC

Loading capacity: 40kg

Length: 350mm;400mm;450mm;500mm;550mm.



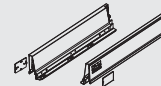
B: SS1801-B

Side wall L/R

Material - cold-rolled steel

Color - Match for set color

Length: 350mm;400mm;450mm;500mm;550mm.



C: SS1800-L167

Back panel connector L/R

Material - cold-rolled steel

Color - Match for set color

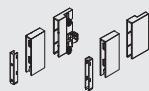


O: SS1800-07

8mm Glass fasteners L/R

Material - SECC + plastic

Color - Match for set color



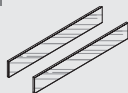
I: SS1800-06T/ SS1800-06S

8mm Glass plates L/R

Material - glass

Color - transparent/ frosted

Length: 350mm;400mm;450mm;500mm;550mm.



G: SS1800-08

Inner drawer extended front panel

Material - aluminium

Color - Match for set color

Automatically cut - the cabinet body width LW - 85

Length: 600mm;800mm;900mm;1000mm;1200mm



K: SS1800-37

Front panel bracket to bottom panel

Material - plastic

Color - Silver grey

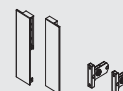


D: SS1801-F167G

Inner drawer front connector L/R

Material - cold-rolled steel + plastic

Color - Match for set color

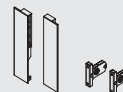


SS1801-F167GH

Inner drawer front connector (handle) L/R

Material - cold-rolled steel + plastic

Color - Match for set color



F: SS1800-04

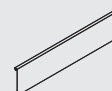
Inner drawer front panel

Material - aluminium

Color - Match for set color

Automatically cut - the cabinet body width LW - 98

Length: 600mm;800mm;900mm;1000mm;1200mm



SS1800-04H

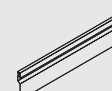
Inner drawer front panel (handle)

Material - aluminium

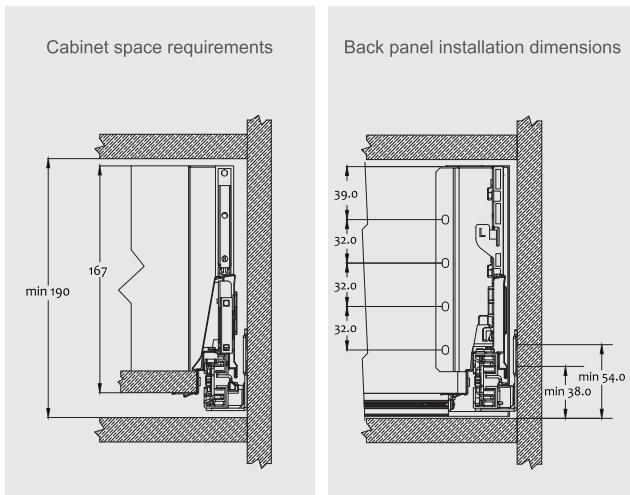
Color - Match for set color

Automatically cut - the cabinet body width LW - 98

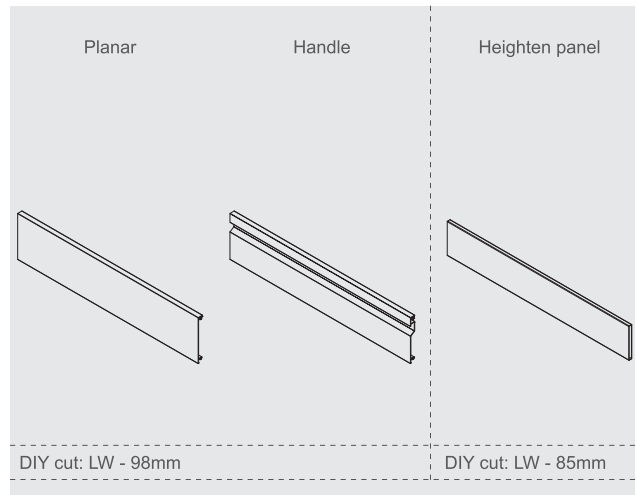
Length: 600mm;800mm;900mm;1000mm;1200mm



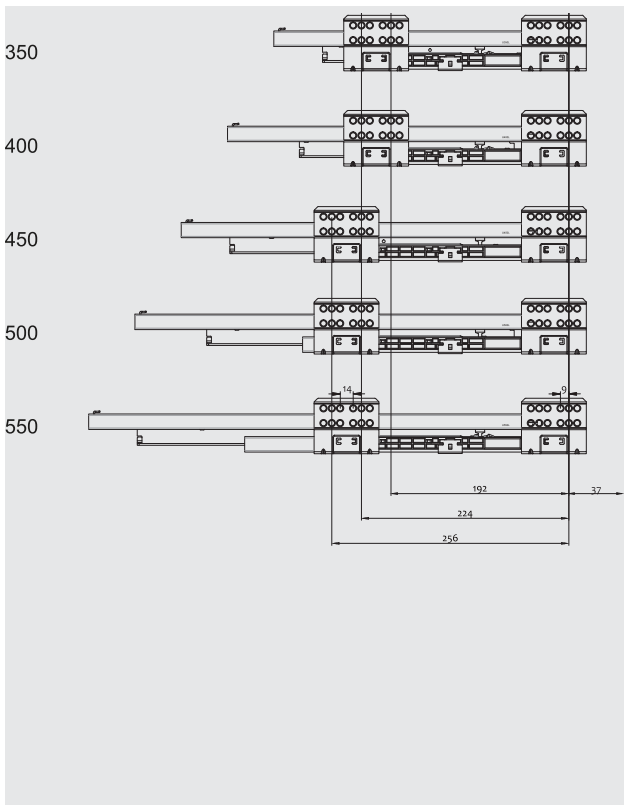
Mounting



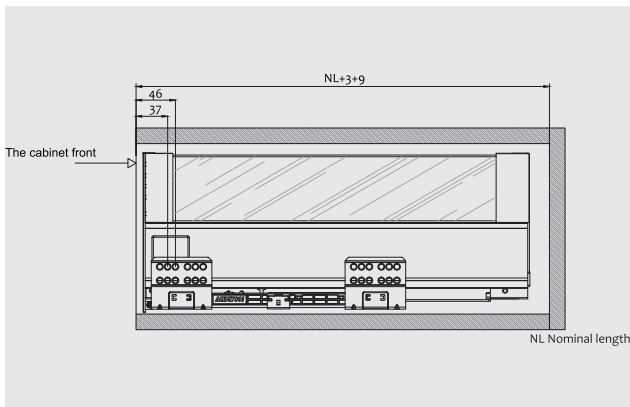
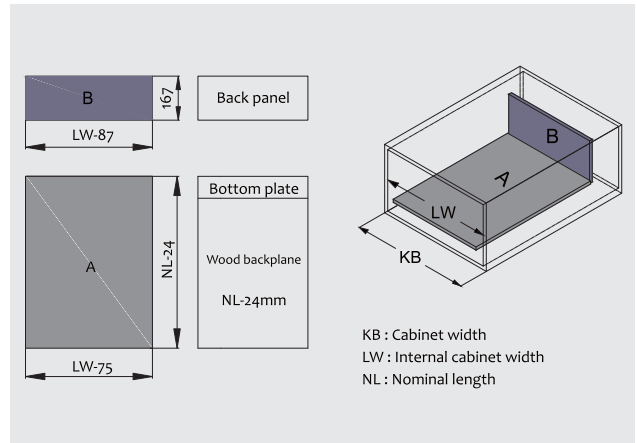
Internal front panel DIY cut



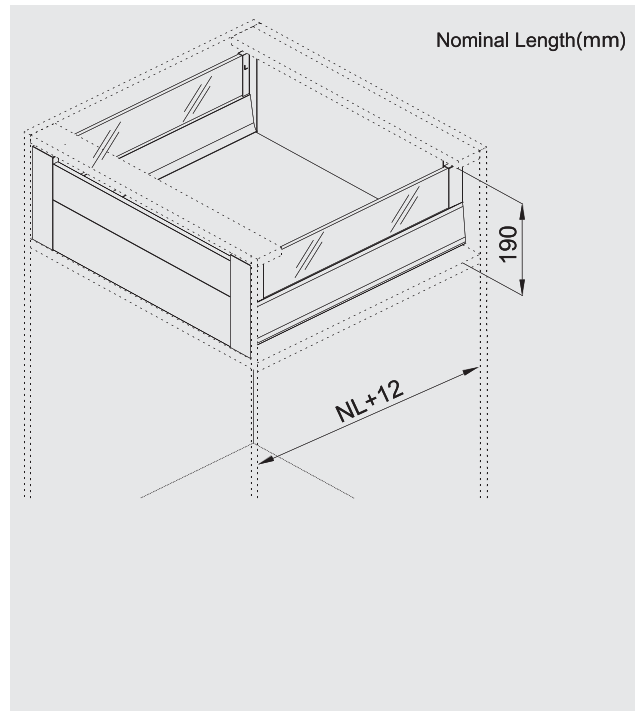
Drawer slide installation dimensions



Cutting dimensions for back panel



Space required



CLASSICAL DRAWER SYSTEM

SB1801 - C07/ SB1801 - C07H

Inner classical box with side square railings and front panel square railing, height 167mm

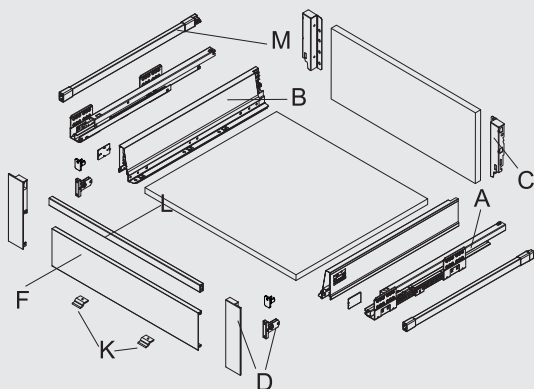


SOFT-CLOSE

- Inner drawer, height 167mm.
- Loading capacity: 40Kg.
- Wide range of depth from 270mm;300mm;350mm;400mm;450mm;500mm;550mm.
- Front panel with different length, 600, 800, 900, 1000, 1200mm.
- 4 regular colors: Black(B), White(W), Dark grey(G), Light grey(O), custom-made colors acceptable.
- Front convenient fine adjustment mechanism integrated.
Up & down ± 1.5 mm, left & right ± 1.5 mm.
- Synchronization mechanism of the slides stabilizes the sliding motion and eliminates noises from the living space.

Product information

Components view



A: SS1801-S

Drawer slide L/R

Material - SECC

Loading capacity: 40kg

Length: 270mm;300mm;350mm;400mm;450mm;500mm;550mm.



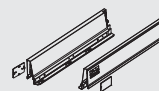
B: SS1801-B

Side wall L/R

Material - cold-rolled steel

Color - Match for set color

Length: 270mm;300mm;350mm;400mm;450mm;500mm;550mm.



C: SS1800-L167

Back panel connector L/R

Material - cold-rolled steel

Color - Match for set color

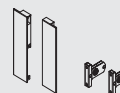


D: SS1801-F167

Inner drawer front connector L/R

Material - cold-rolled steel + plastic

Color - Match for set color

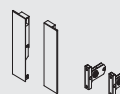


SS1801-F167H

Inner drawer front connector (handle) L/R

Material - cold-rolled steel + plastic

Color - Match for set color



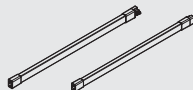
M: SS1801-12

Side square railings

Material - aluminium + plastic

Color - Match for set color

Length: 270mm;300mm;350mm;400mm;450mm;500mm;550mm.



L: S52932

Front square railing

Material - aluminium

Color - Match for set color

Automatically cut - the cabinet body width LW - 85

Length: 600mm;800mm;900mm;1000mm;1200mm



K: SS1800-37

Front panel bracket to bottom panel

Material - plastic

Color - Silver grey



F: SS1800-04

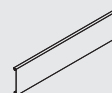
Inner drawer front panel

Material - aluminium

Color - Match for set color

Automatically cut - the cabinet body width LW - 98

Length: 600mm;800mm;900mm;1000mm;1200mm



SS1800-04H

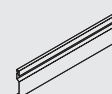
Inner drawer front panel (handle)

Material - aluminium

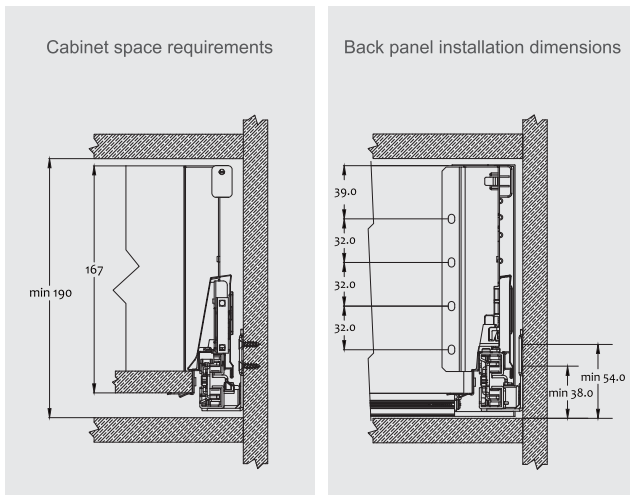
Color - Match for set color

Automatically cut - the cabinet body width LW - 98

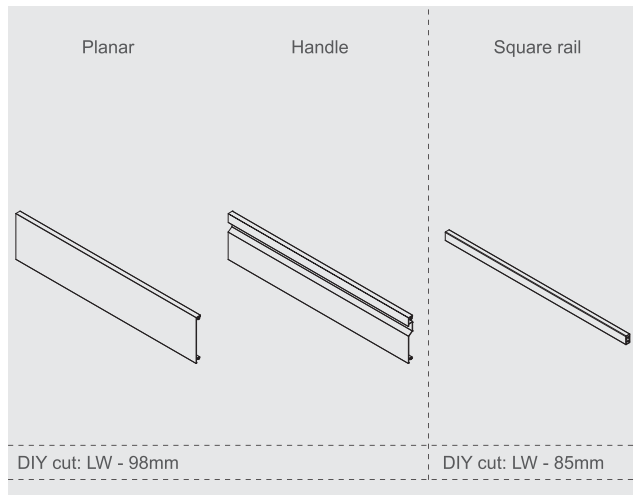
Length: 600mm;800mm;900mm;1000mm;1200mm



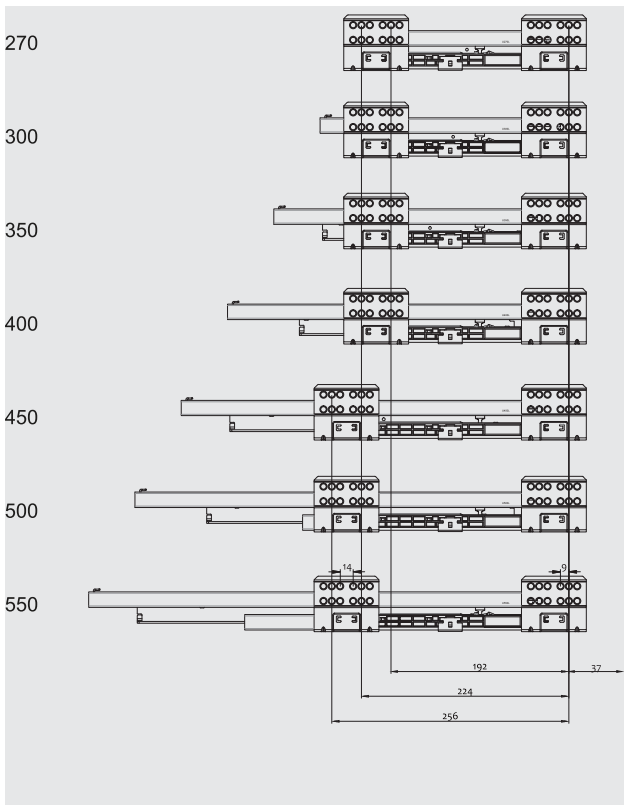
Mounting



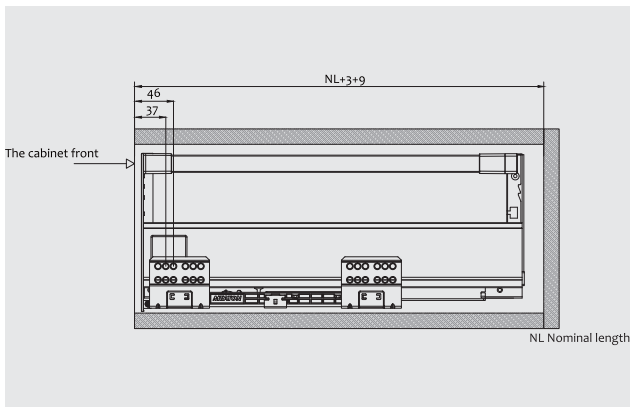
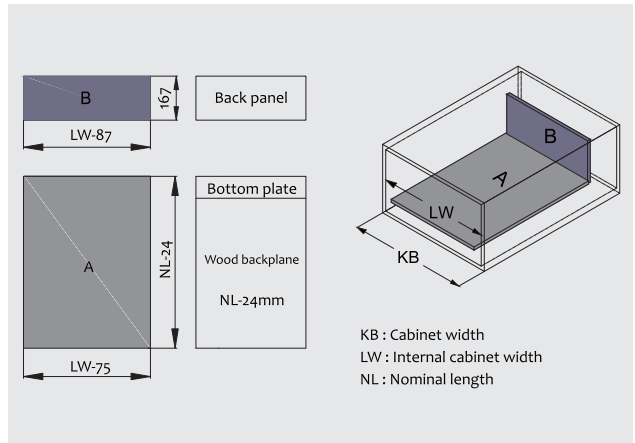
Internal front panel DIY cut



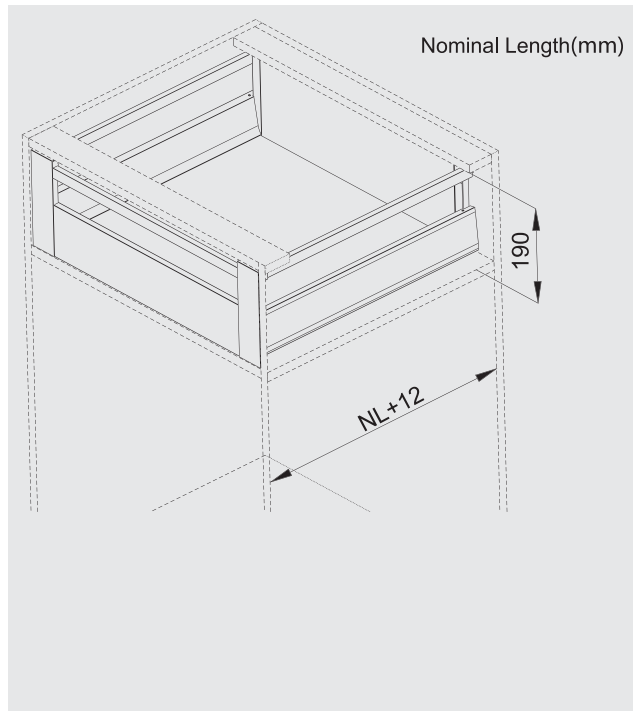
Drawer slide installation dimensions



Cutting dimensions for back panel



Space required



B

Classical Drawer System

CLASSICAL DRAWER SYSTEM

SB1801 - C08/ SB1801 - C08H

Inner classical box with side square railings and front panel, height 167mm

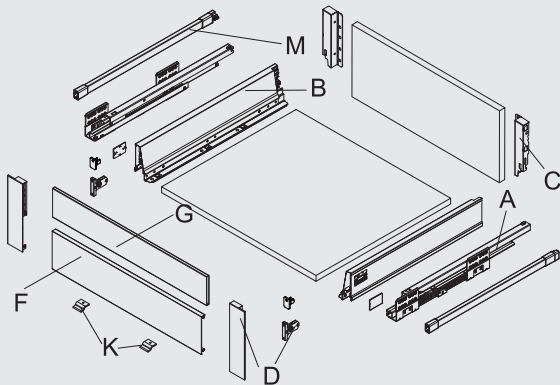


SOFT-CLOSE

- Inner drawer, height 167mm.
- Loading capacity: 40Kg.
- Wide range of depth from 270mm;300mm;350mm;400mm;450mm;500mm;550mm.
- Front panel with different length, 600, 800, 900, 1000, 1200mm.
- 4 regular colors: Black(B), White(W), Dark grey(G), Light grey(O), custom-made colors acceptable.
- Front convenient fine adjustment mechanism integrated.
Up & down ± 1.5 mm, left & right ± 1.5 mm.
- Synchronization mechanism of the slides stabilizes the sliding motion and eliminates noises from the living space.

Product information

Components view



A: SS1801-S

Drawer slide L/R

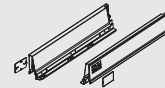
Material - SECC
Loading capacity: 40kg
Length: 270mm;300mm;350mm;400mm;450mm;500mm;550mm.



B: SS1801-B

Side wall L/R

Material - cold-rolled steel
Color - Match for set color
Length: 270mm;300mm;350mm;400mm;450mm;500mm;550mm.



C: SS1800-L167

Back panel connector L/R

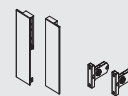
Material - cold-rolled steel
Color - Match for set color



D: SS1801-F167G

Inner drawer front connector L/R

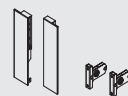
Material - cold-rolled steel + plastic
Color - Match for set color



SS1801-F167GH

Inner drawer front connector (handle) L/R

Material - cold-rolled steel + plastic
Color - Match for set color



G: SS1800-08

Inner drawer extended front panel

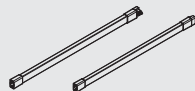
Material - aluminium
Color - Match for set color
Automatically cut - the cabinet body width LW - 85
Length: 600mm;800mm;900mm;1000mm;1200mm



M: SS1801-12

Side square railings

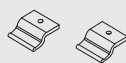
Material - aluminium + plastic
Color - Match for set color
Length: 270mm;300mm;350mm;400mm;450mm;500mm;550mm.



K: SS1800-37

Front panel bracket to bottom panel

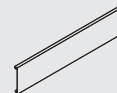
Material - plastic
Color - Silver grey



F: SS1800-04

Inner drawer front panel

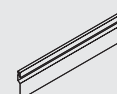
Material - aluminium
Color - Match for set color
Automatically cut - the cabinet body width LW - 98
Length: 600mm;800mm;900mm;1000mm;1200mm



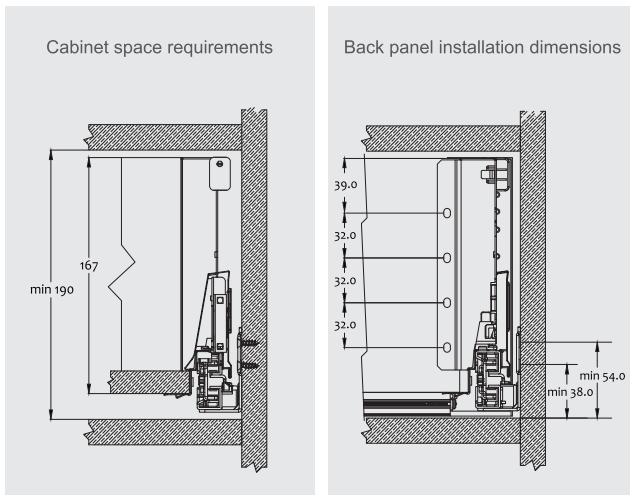
SS1800-04H

Inner drawer front panel (handle)

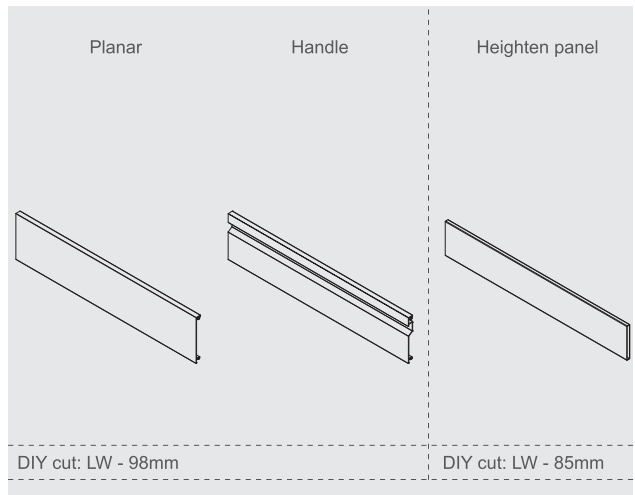
Material - aluminium
Color - Match for set color
Automatically cut - the cabinet body width LW - 98
Length: 600mm;800mm;900mm;1000mm;1200mm



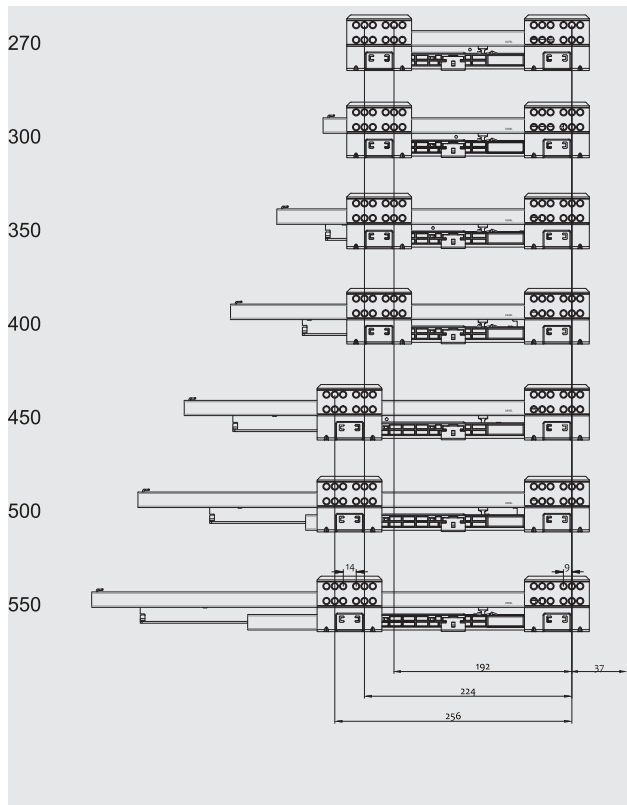
Mounting



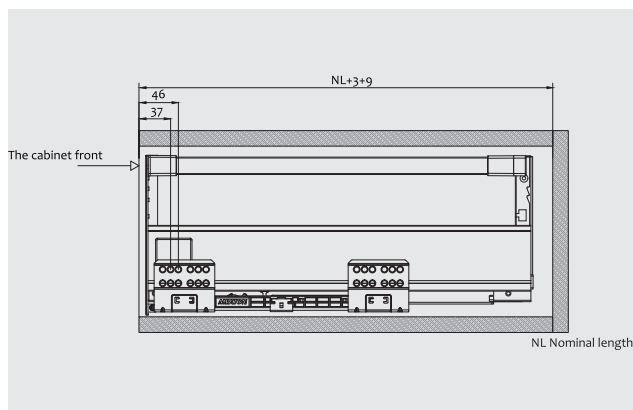
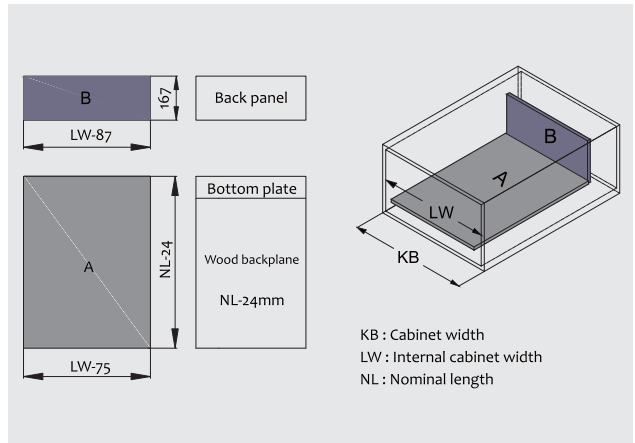
Internal front panel DIY cut



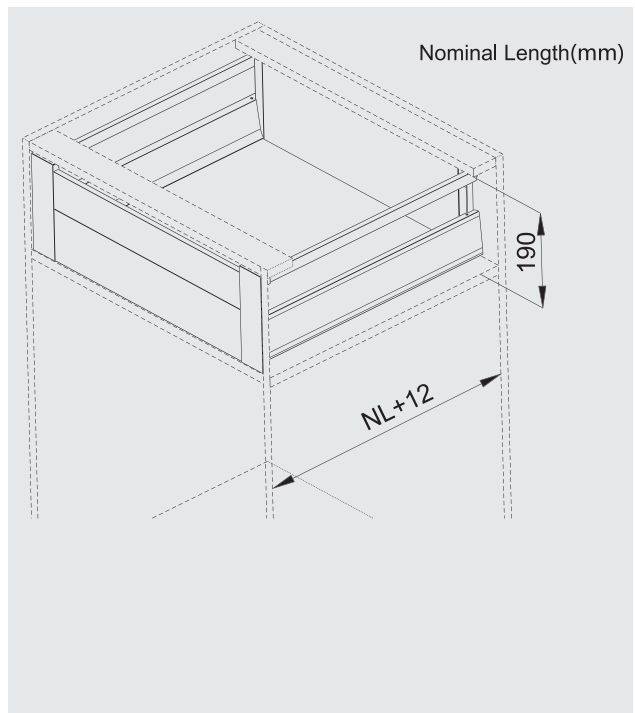
Drawer slide installation dimensions



Cutting dimensions for back panel



Space required



CLASSICAL DRAWER SYSTEM

SB1801 - D01

Classical box with side square railings, height 199mm

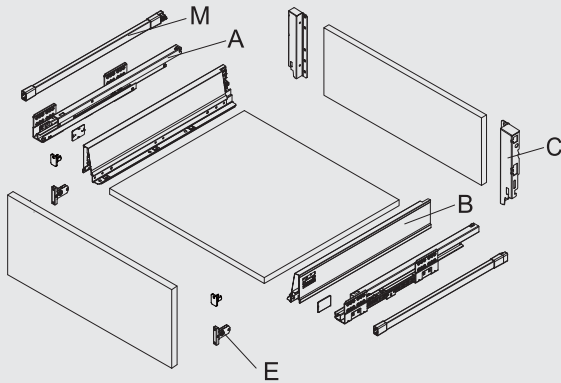


SOFT-CLOSE

- Basic + rectangular side railings, height 199mm.
- Loading capacity: 40Kg.
- Wide range of depth from 270mm;300mm;350mm;400mm;450mm;500mm;550mm.
- 4 regular colors: Black(B), White(W), Dark grey(G), Light grey(O), custom-made colors acceptable.
- Front convenient fine adjustment mechanism integrated. Up & down ± 1.5 mm, left & right ± 1.5 mm.
- Synchronization mechanism of the slides stabilizes the sliding motion and eliminates noises from the living space.

Product information

Components view



A: SS1801-S

Drawer slide L/R

Material - SECC

Loading capacity: 40kg

Length: 270mm;300mm;350mm;400mm;450mm;500mm;550mm.



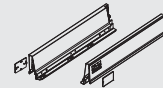
B: SS1801-B

Side wall L/R

Material - cold-rolled steel

Color - Match for set color

Length: 270mm;300mm;350mm;400mm;450mm;500mm;550mm.



C: SS1800-L199

Back panel connector L/R

Material - cold-rolled steel

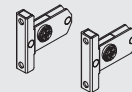
Color - Match for set color



E: SS1900-TA1

Front connector

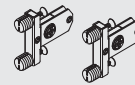
Material - SECC + plastic



SS1900-TA2

Clip on front connector

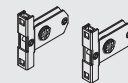
Material - SECC + plastic



SS1900-TA5

Front connector

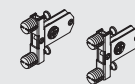
Material - SECC



SS1900-TA6

Clip on front connector

Material - SECC



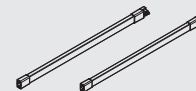
M: SS1801-12

Side square railings

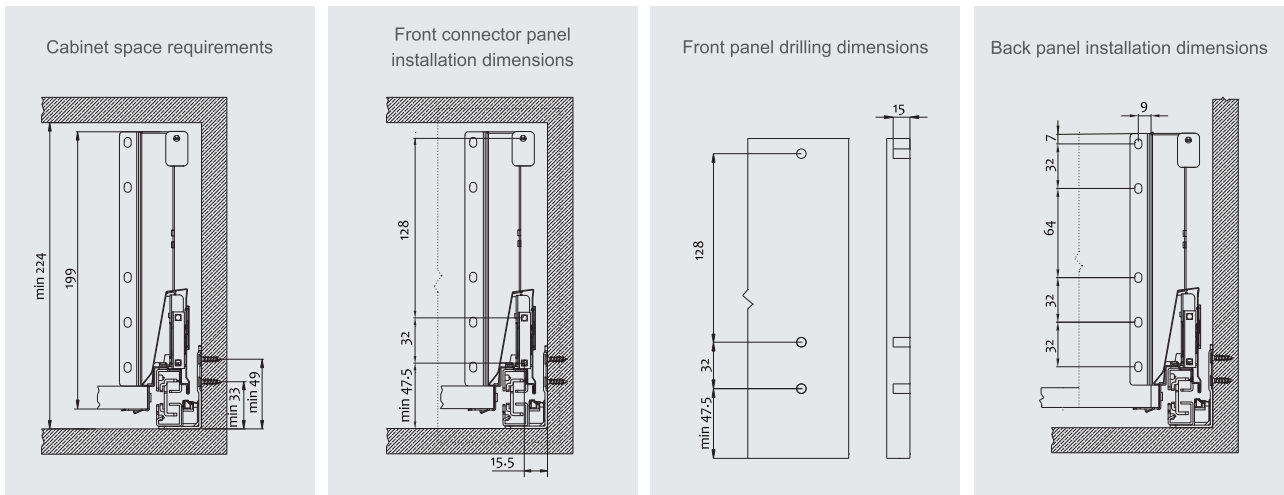
Material - aluminium + plastic

Color - Match for set color

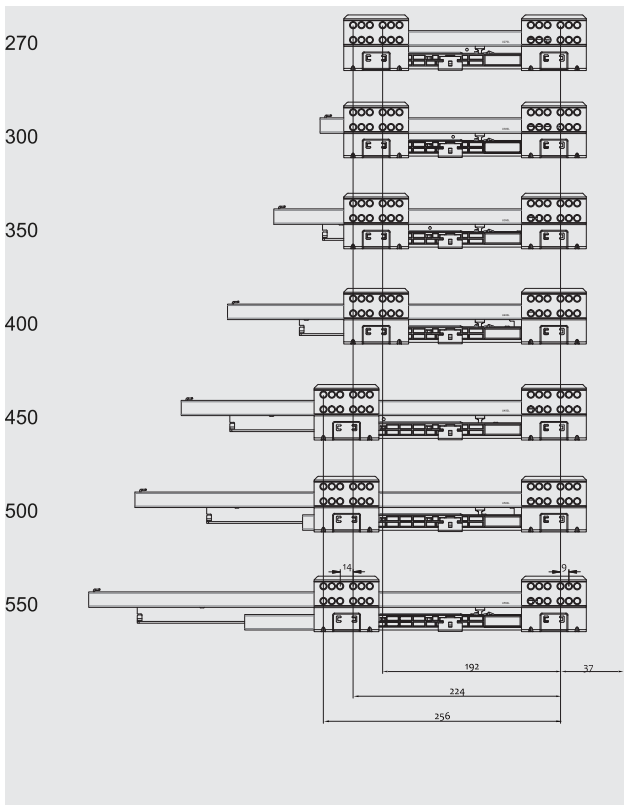
Length: 270mm;300mm;350mm;400mm;450mm;500mm;550mm.



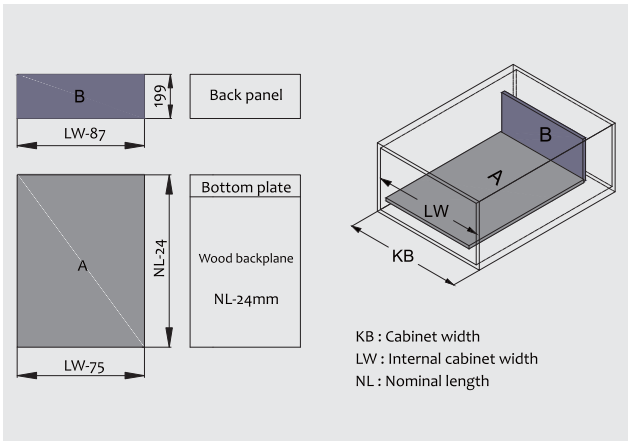
Mounting



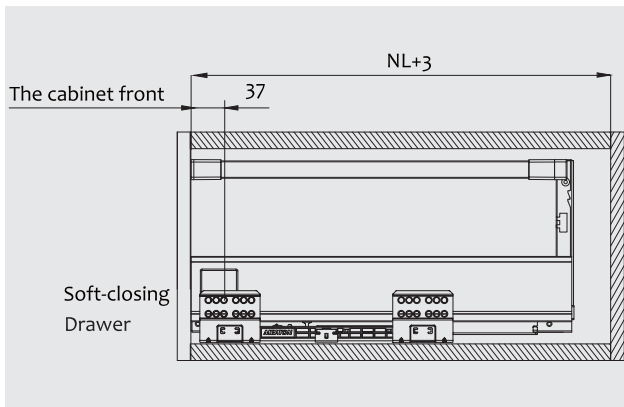
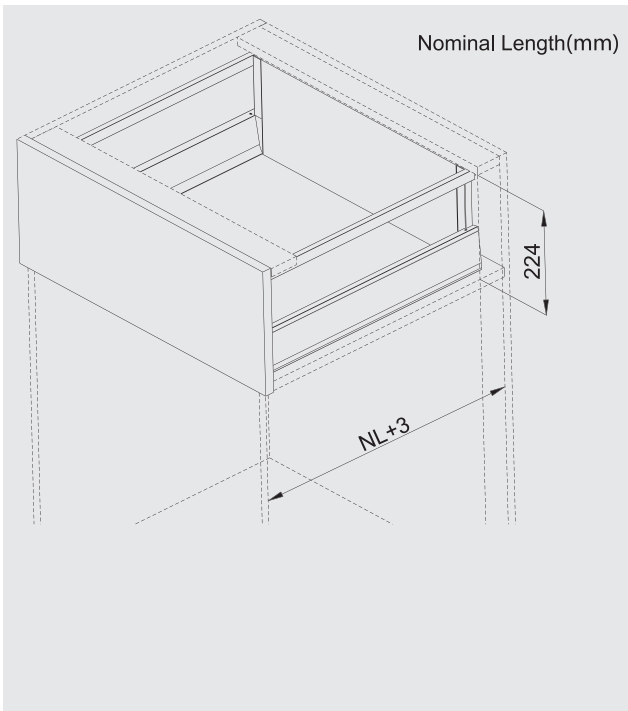
Drawer slide installation dimensions



Cutting dimensions for back panel



Space required



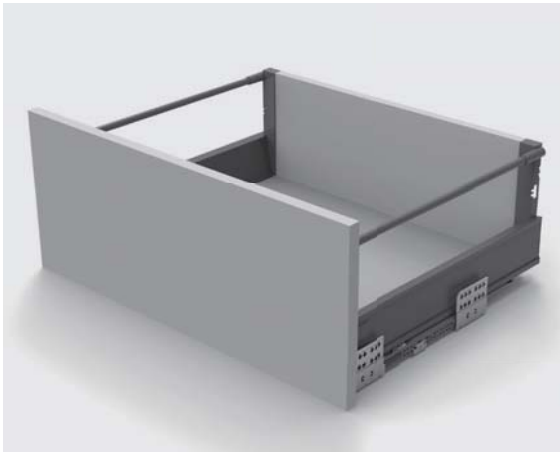
B

Classical Drawer System

CLASSICAL DRAWER SYSTEM

SB1801 - D02

Classical box with side round railings, height 199mm

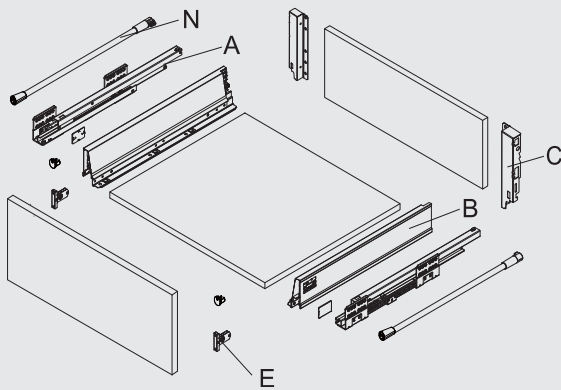


SOFT-CLOSE

- Basic + round side railings, height 199mm.
- Loading capacity: 40Kg.
- Wide range of depth from 270mm;300mm;350mm;400mm;450mm;500mm;550mm.
- 4 regular colors: Black(B), White(W), Dark grey(G), Light grey(O), custom-made colors acceptable.
- Front convenient fine adjustment mechanism integrated. Up & down ± 1.5 mm, left & right ± 1.5 mm.
- Synchronization mechanism of the slides stabilizes the sliding motion and eliminates noises from the living space.

Product information

Components view



A: SS1801-S

Drawer slide L/R

Material - SECC

Loading capacity: 40kg

Length: 270mm;300mm;350mm;400mm;450mm;500mm;550mm.



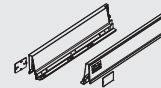
B: SS1801-B

Side wall L/R

Material - cold-rolled steel

Color - Match for set color

Length: 270mm;300mm;350mm;400mm;450mm;500mm;550mm.



C: SS1800-L199

Back panel connector L/R

Material - cold-rolled steel

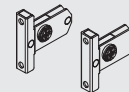
Color - Match for set color



E: SS1900-TA1

Front connector

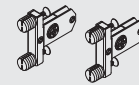
Material - SECC + plastic



SS1900-TA2

Clip on front connector

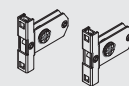
Material - SECC + plastic



SS1900-TA5

Front connector

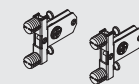
Material - SECC



SS1900-TA6

Clip on front connector

Material - SECC



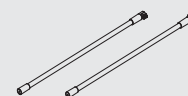
N: SS1801-19

Side round railings

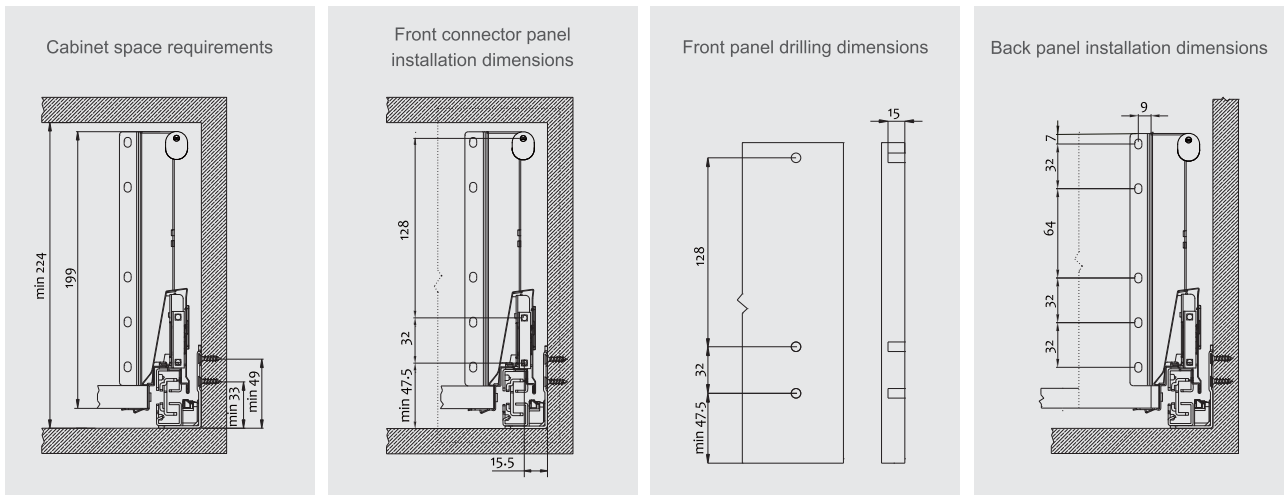
Material - aluminium + plastic

Color - Match for set color

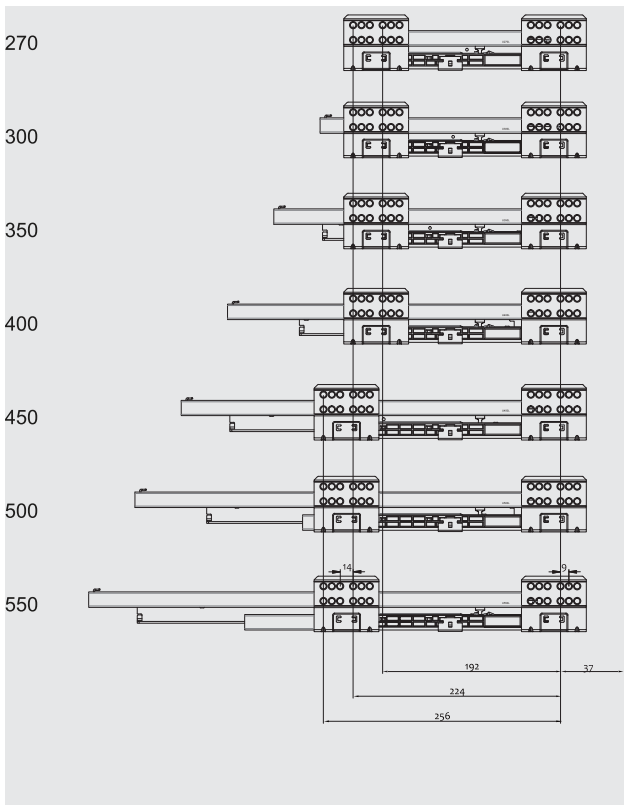
Length: 270mm;300mm;350mm;400mm;450mm;500mm;550mm.



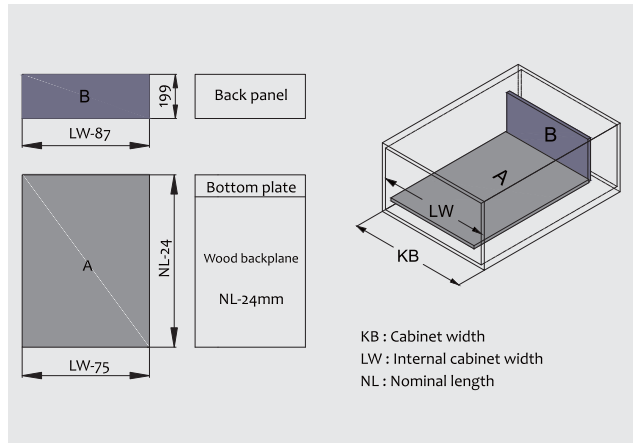
Mounting



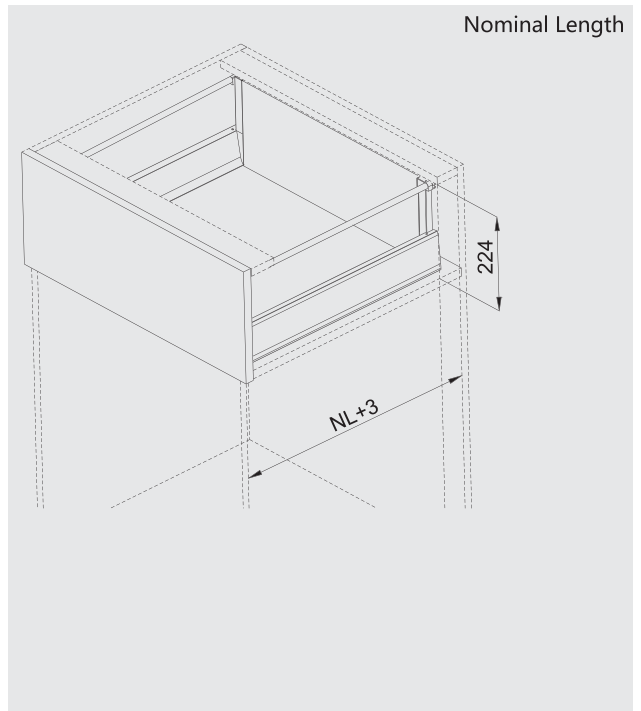
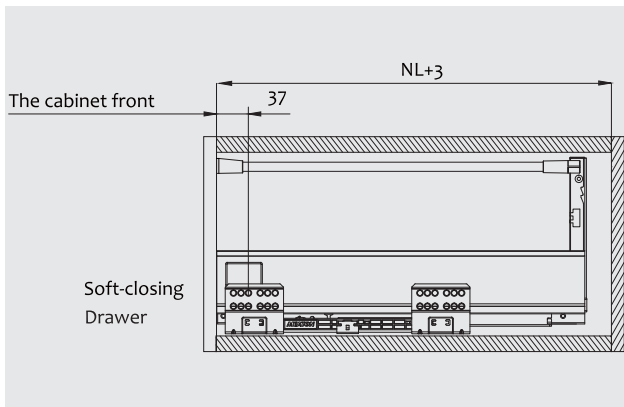
Drawer slide installation dimensions



Cutting dimensions for back panel



Space required



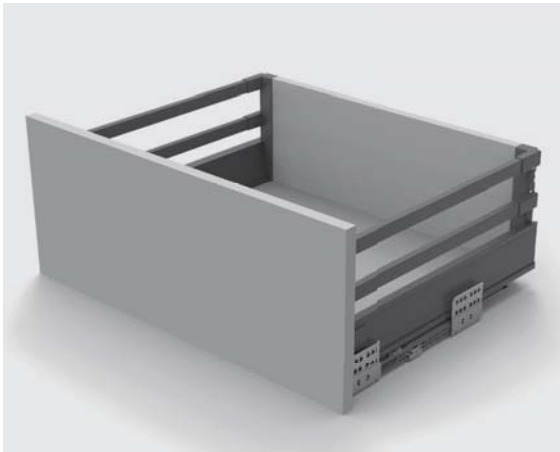
B

Classical Drawer System

CLASSICAL DRAWER SYSTEM

SB1801 - D03

Classical box with side two square railings, height 199mm

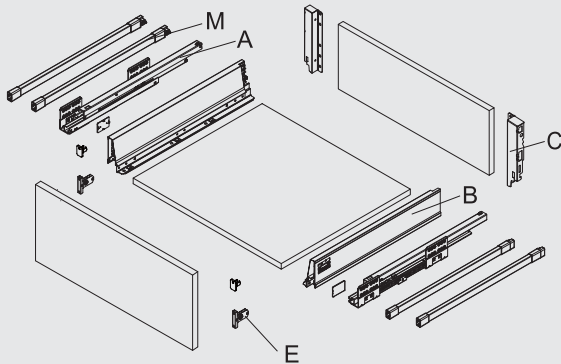


SOFT-CLOSE

- Basic + double dual rectangular railings, height 199mm.
- Loading capacity: 40Kg.
- Wide range of depth from 270mm;300mm;350mm;400mm;450mm;500mm;550mm.
- 4 regular colors: Black(B), White(W), Dark grey(G), Light grey(O), custom-made colors acceptable.
- Front convenient fine adjustment mechanism integrated. Up & down ± 1.5 mm, left & right ± 1.5 mm.
- Synchronization mechanism of the slides stabilizes the sliding motion and eliminates noises from the living space.

Product information

Components view



A: SS1801-S

Drawer slide L/R

Material - SECC

Loading capacity: 40kg

Length: 270mm;300mm;350mm;400mm;450mm;500mm;550mm.



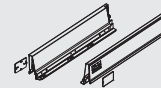
B: SS1801-B

Side wall L/R

Material - cold-rolled steel

Color - Match for set color

Length: 270mm;300mm;350mm;400mm;450mm;500mm;550mm.



C: SS1800-L199

Back panel connector L/R

Material - cold-rolled steel

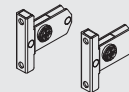
Color - Match for set color



E: SS1900-TA1

Front connector

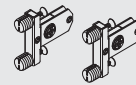
Material - SECC + plastic



SS1900-TA2

Clip on front connector

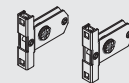
Material - SECC + plastic



SS1900-TA5

Front connector

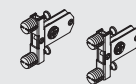
Material - SECC



SS1900-TA6

Clip on front connector

Material - SECC



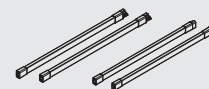
M: SS1801-12 (*2)

Side square railings

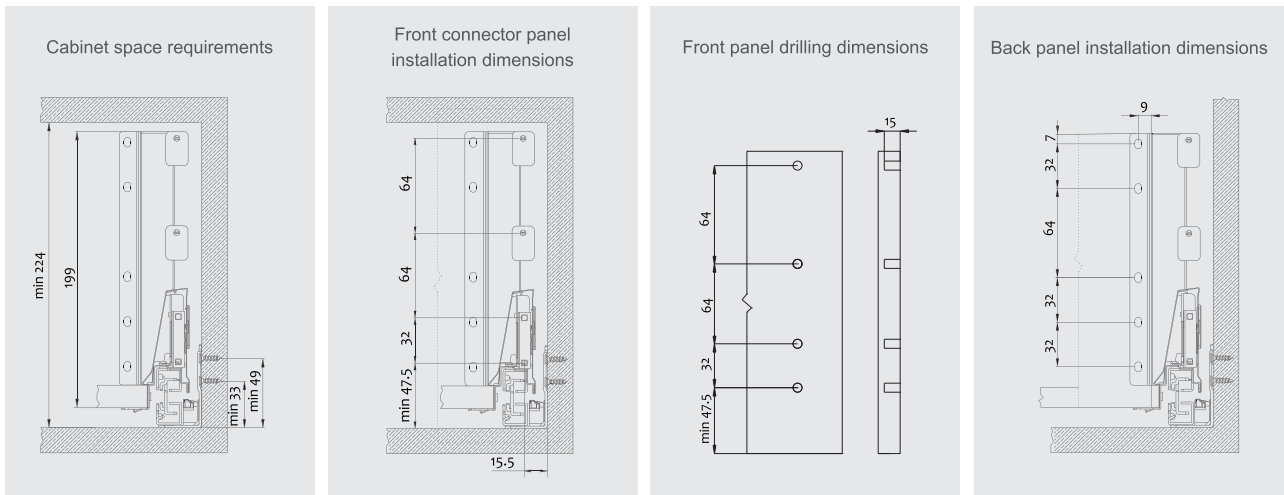
Material - aluminium + plastic

Color - Match for set color

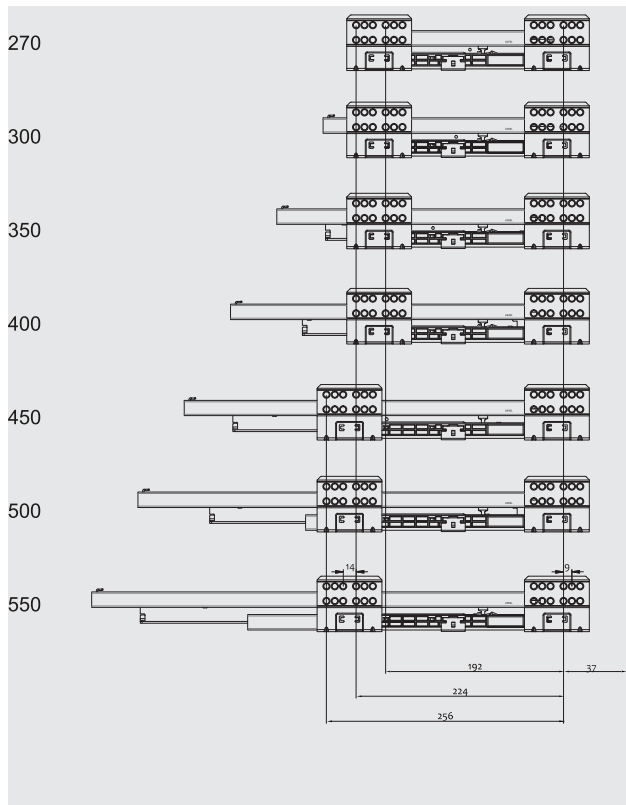
Length: 270mm;300mm;350mm;400mm;450mm;500mm;550mm.



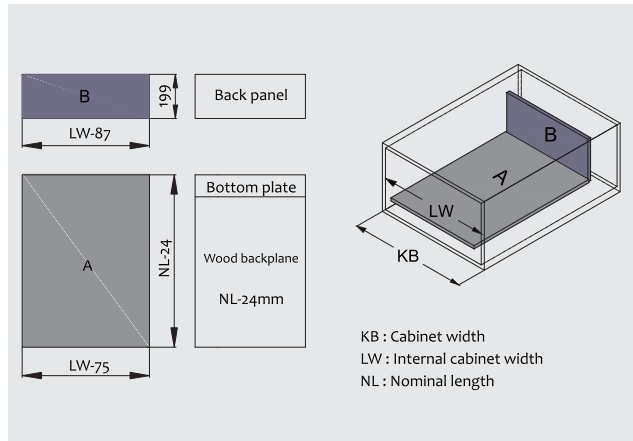
Mounting



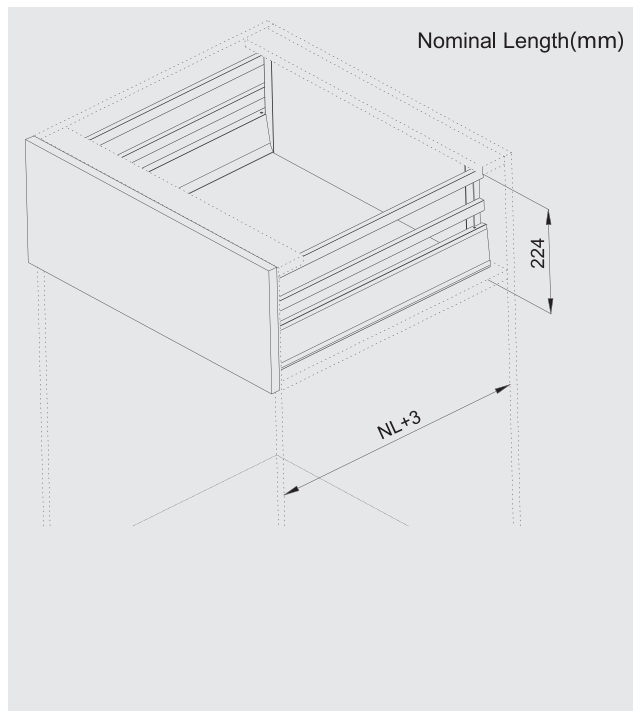
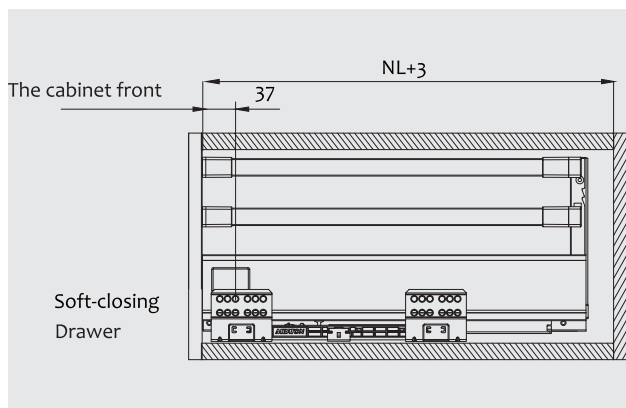
Drawer slide installation dimensions



Cutting dimensions for back panel



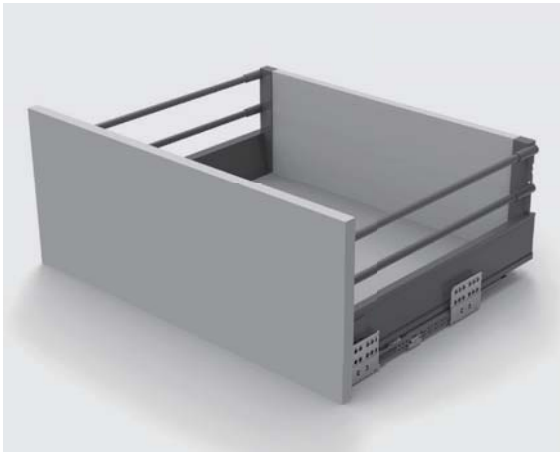
Space required



CLASSICAL DRAWER SYSTEM

SB1801 - D04

Classical box with two side round railings, height 199mm

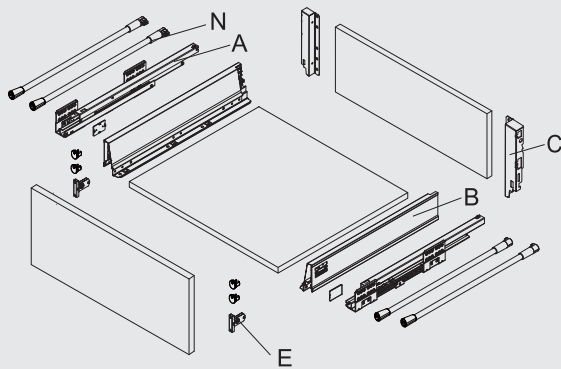


SOFT-CLOSE

- Basic + double dual round railings, height 199mm.
- Loading capacity: 40Kg.
- Wide range of depth from 270mm;300mm;350mm;400mm;450mm;500mm;550mm.
- 4 regular colors: Black(B), White(W), Dark grey(G), Light grey(O), custom-made colors acceptable.
- Front convenient fine adjustment mechanism integrated. Up & down ± 1.5 mm, left & right ± 1.5 mm.
- Synchronization mechanism of the slides stabilizes the sliding motion and eliminates noises from the living space.

Product information

Components view



A: SS1801-S

Drawer slide L/R

Material - SECC

Loading capacity: 40kg

Length: 270mm;300mm;350mm;400mm;450mm;500mm;550mm.



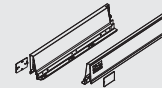
B: SS1801-B

Side wall L/R

Material - cold-rolled steel

Color - Match for set color

Length: 270mm;300mm;350mm;400mm;450mm;500mm;550mm.



C: SS1800-L199

Back panel connector L/R

Material - cold-rolled steel

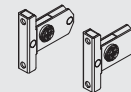
Color - Match for set color



E: SS1900-TA1

Front connector

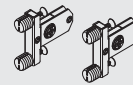
Material - SECC + plastic



SS1900-TA2

Clip on front connector

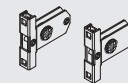
Material - SECC + plastic



SS1900-TA5

Front connector

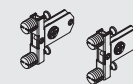
Material - SECC



SS1900-TA6

Clip on front connector

Material - SECC



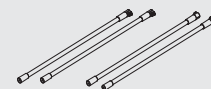
N: SS1801-19 (*2)

Side round railings

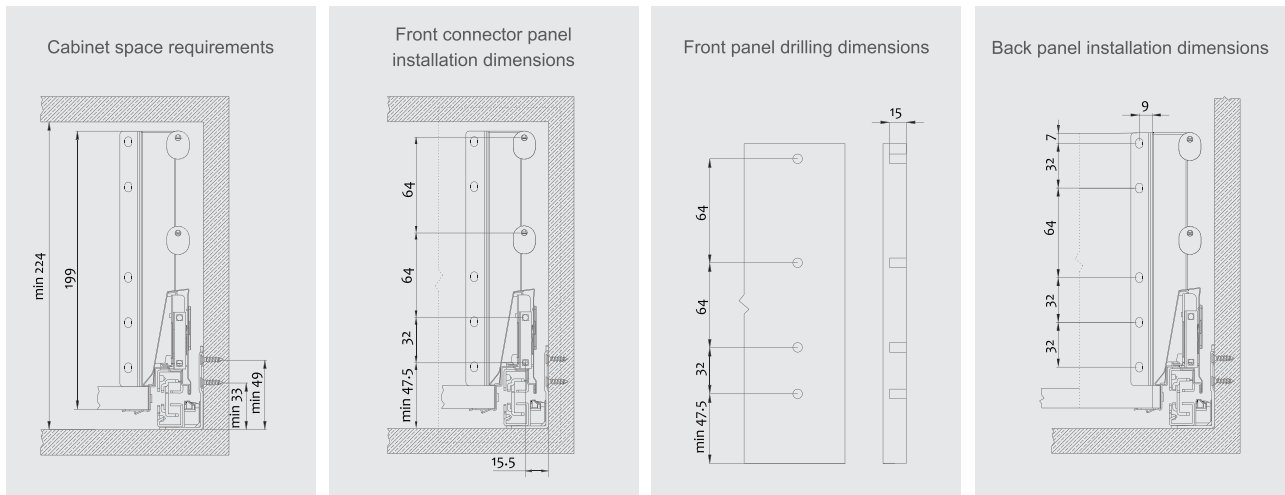
Material - aluminium + plastic

Color - Match for set color

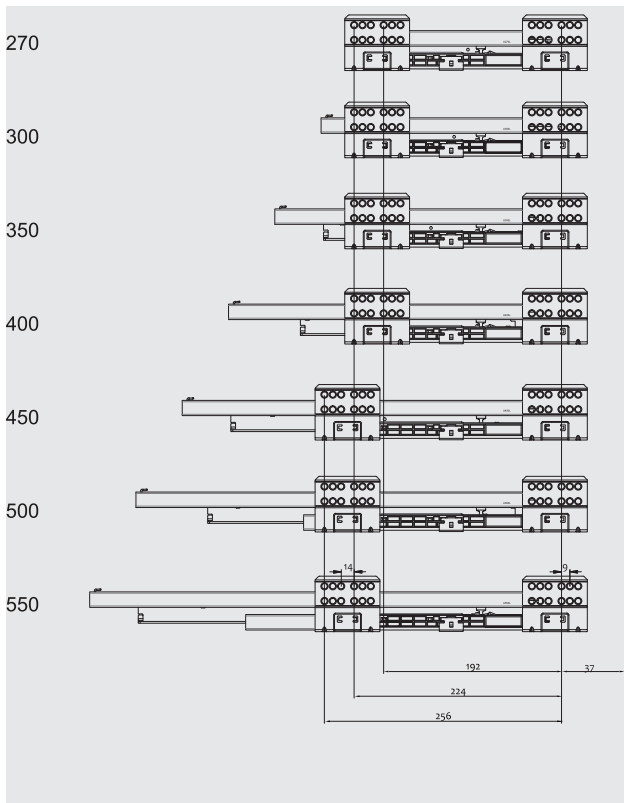
Length: 270mm;300mm;350mm;400mm;450mm;500mm;550mm.



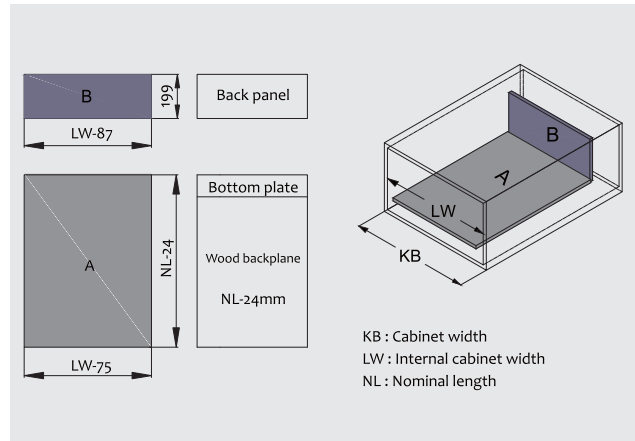
Mounting



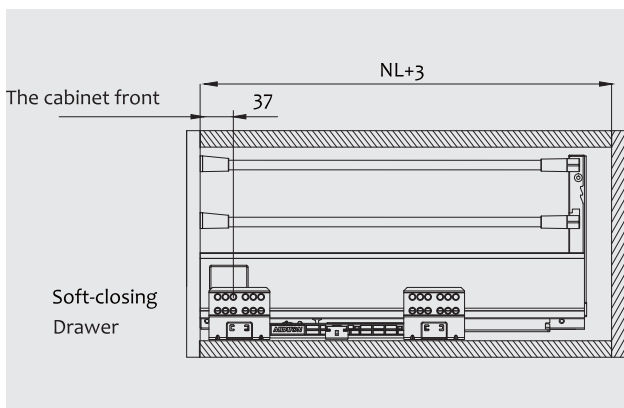
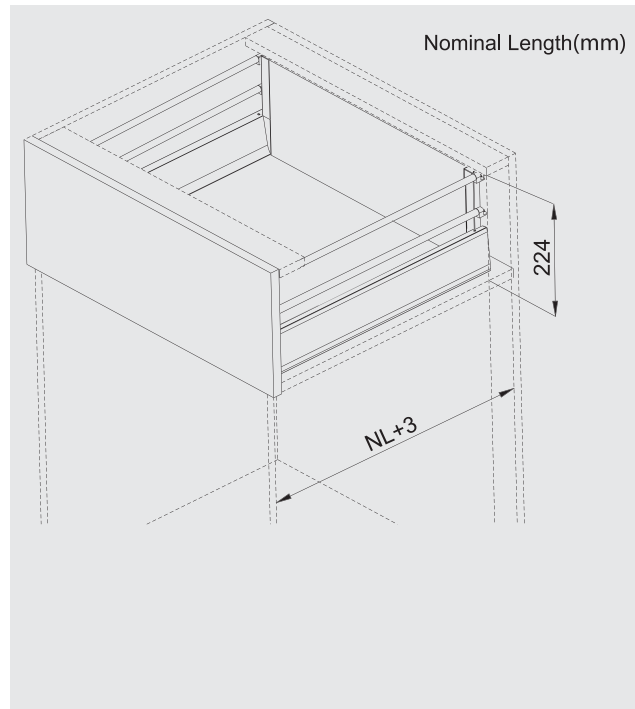
Drawer slide installation dimensions



Cutting dimensions for back panel



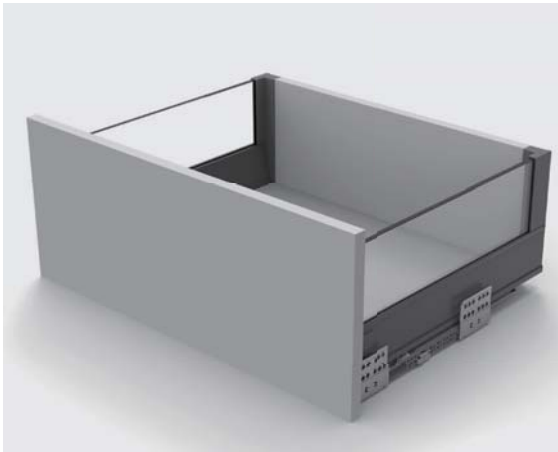
Space required



CLASSICAL DRAWER SYSTEM

SB1801 - D05

Classical box with extended side glass, height 199mm

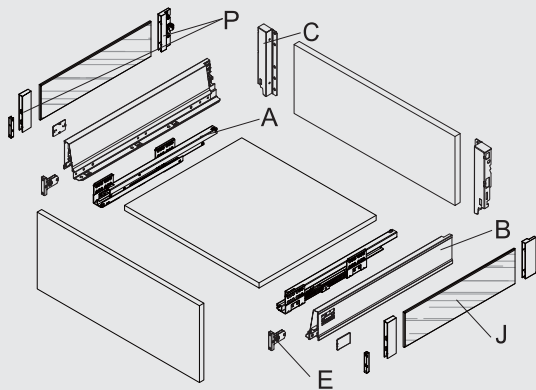


SOFT-CLOSE

- Basic + 8mm side glass plates, height 199mm.
- Loading capacity: 40Kg.
- Wide range of depth from 350mm;400mm;450mm;500mm;550mm.
- 4 regular colors: Black(B), White(W), Dark grey(G), Light grey(O), custom-made colors acceptable.
- Front convenient fine adjustment mechanism integrated. Up & down ± 1.5 mm, left & right ± 1.5 mm.
- Synchronization mechanism of the slides stabilizes the sliding motion and eliminates noises from the living space.

Product information

Components view



A: SS1801-S

Drawer slide L/R

Material - SECC

Loading capacity: 40kg

Length: 350mm;400mm;450mm;500mm;550mm.



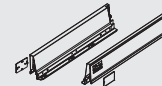
B: SS1801-B

Side wall L/R

Material - cold-rolled steel

Color - Match for set color

Length: 350mm;400mm;450mm;500mm;550mm.



C: SS1800-L199

Back panel connector L/R

Material - cold-rolled steel

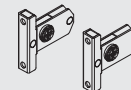
Color - Match for set color



E: SS1900-TA1

Front connector

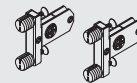
Material - SECC + plastic



SS1900-TA2

Clip on front connector

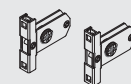
Material - SECC + plastic



SS1900-TA5

Front connector

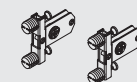
Material - SECC



SS1900-TA6

Clip on front connector

Material - SECC

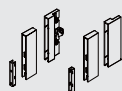


P: SS1800-10

8mm Glass fasteners L/R

Material - SECC + plastic

Color - Match for set color



J: SS1800-09T/ SS1800-09S

8mm Glass plates L/R

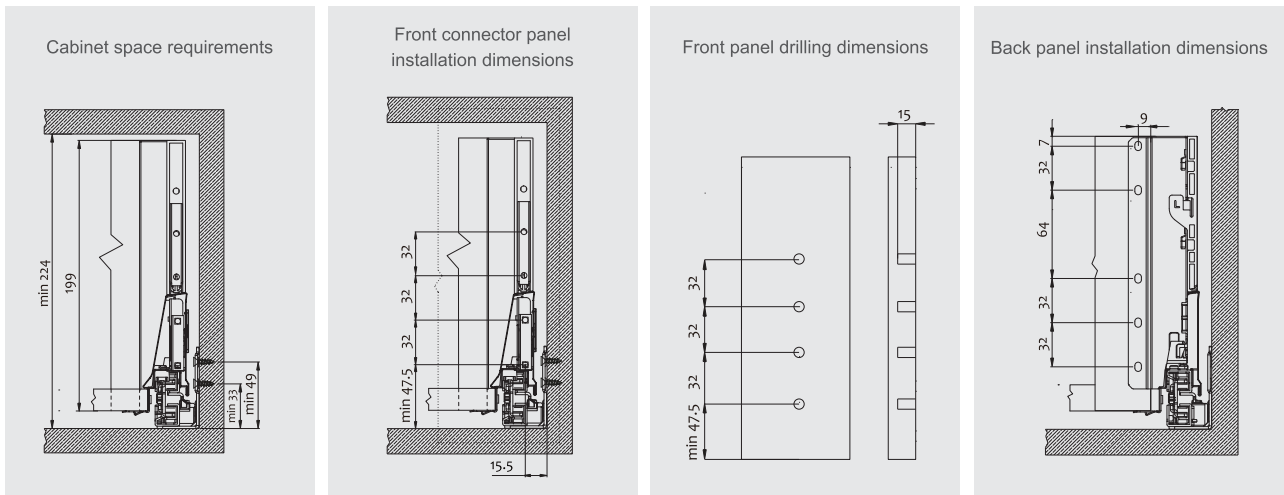
Material - glass

Color - transparent/ frosted

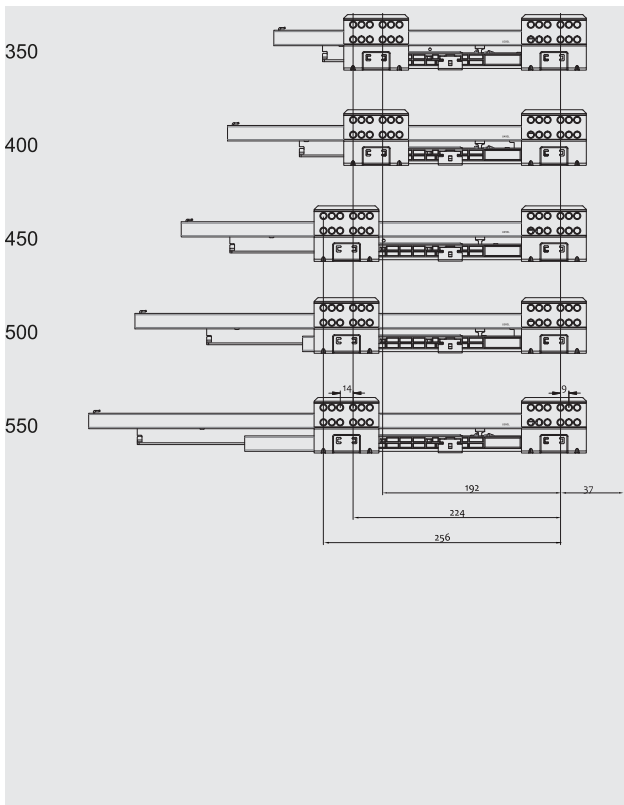
Length: 350mm;400mm;450mm;500mm;550mm.



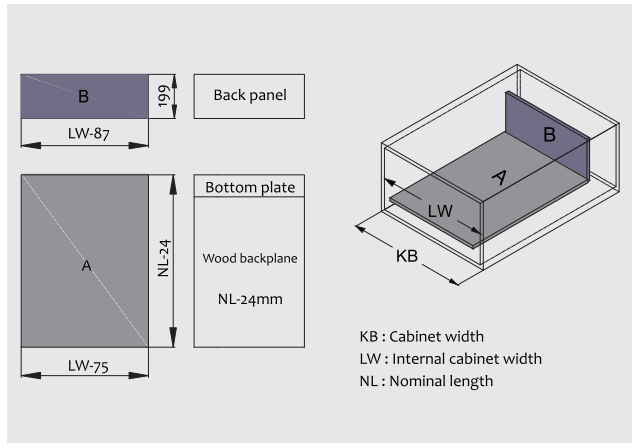
Mounting



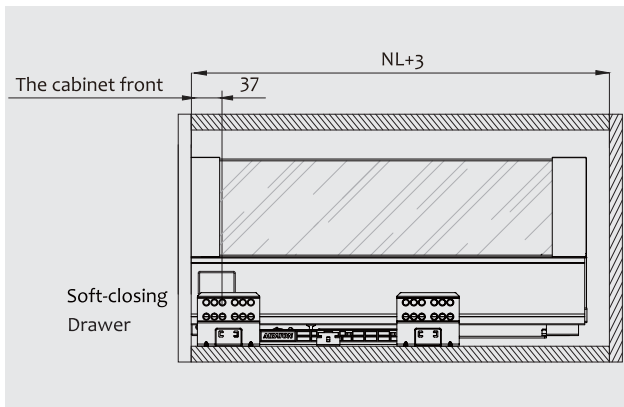
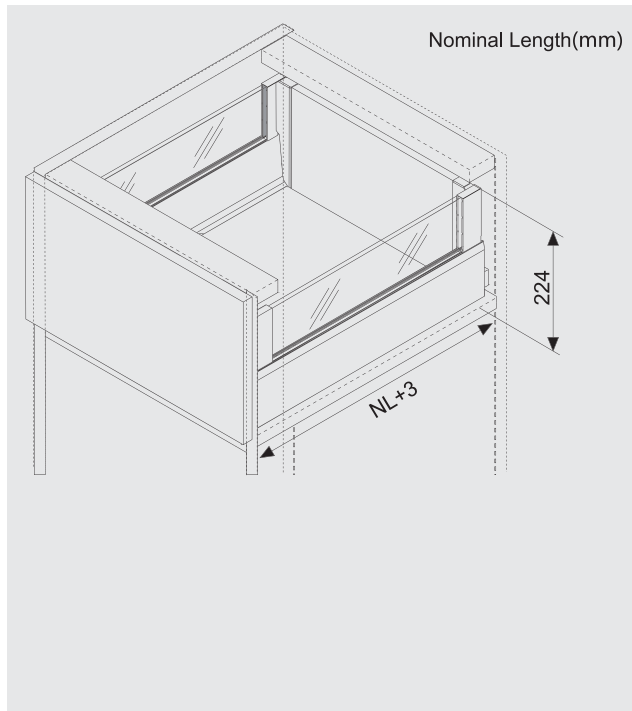
Drawer slide installation dimensions



Cutting dimensions for back panel



Space required



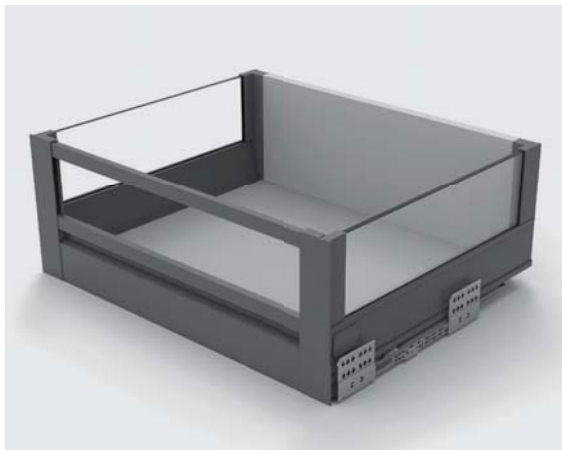
B

Classical Drawer System

CLASSICAL DRAWER SYSTEM

SB1801 - D06/ SB1801 - D06H

Inner classical box with extended side glass and front panel with square railing, height 199mm

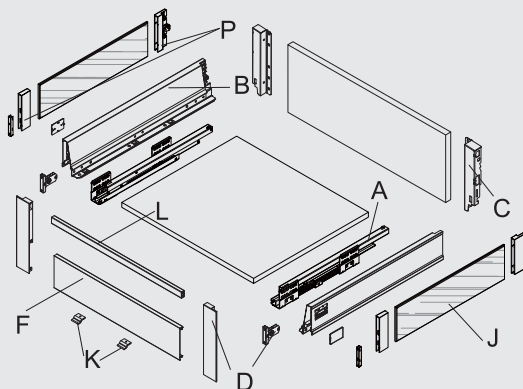


SOFT-CLOSE

- Inner drawer, height 199mm.
- Loading capacity: 40Kg.
- Wide range of depth from 350mm;400mm;450mm;500mm;550mm.
- Front panel with different length, 600, 800, 900, 1000, 1200mm.
- 4 regular colors: Black(B), White(W), Dark grey(G), Light grey(O), custom-made colors acceptable.
- Front convenient fine adjustment mechanism integrated. Up & down ± 1.5 mm, left & right ± 1.5 mm.
- Synchronization mechanism of the slides stabilizes the sliding motion and eliminates noises from the living space.

Product information

Components view



A: SS1801-S

Drawer slide L/R

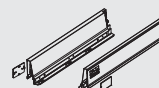
Material - SECC
Loading capacity: 40kg
Length: 350mm;400mm;450mm;500mm;550mm.



B: SS1801-B

Side wall L/R

Material - cold-rolled steel
Color - Match for set color
Length: 350mm;400mm;450mm;500mm;550mm.



C: SS1800-L199

Back panel connector L/R

Material - cold-rolled steel
Color - Match for set color



J: SS1800-09T/ SS1800-09S

8mm Glass plates L/R

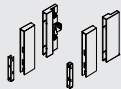
Material - glass
Color - transparent/ frosted
Length: 350mm;400mm;450mm;500mm;550mm.



P: SS1800-10

8mm Glass fasteners L/R

Material - SECC + plastic
Color - Match for set color



L: S52932

Front square railing

Material - aluminium
Color - Match for set color
Automatically cut - the cabinet body width LW - 85
Length: 600mm;800mm;900mm;1000mm;1200mm



K: SS1800-37

Front panel bracket to bottom panel

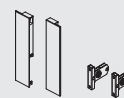
Material - plastic
Color - Silver grey



D: SS1801-F199

Inner drawer front connector L/R

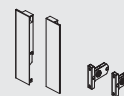
Material - cold-rolled steel + plastic
Color - Match for set color



SS1801-F199H

Inner drawer front connector (handle) L/R

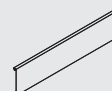
Material - cold-rolled steel + plastic
Color - Match for set color



F: SS1800-04

Inner drawer front panel

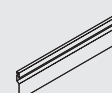
Material - aluminium
Color - Match for set color
Automatically cut - the cabinet body width LW - 98
Length: 600mm;800mm;900mm;1000mm;1200mm



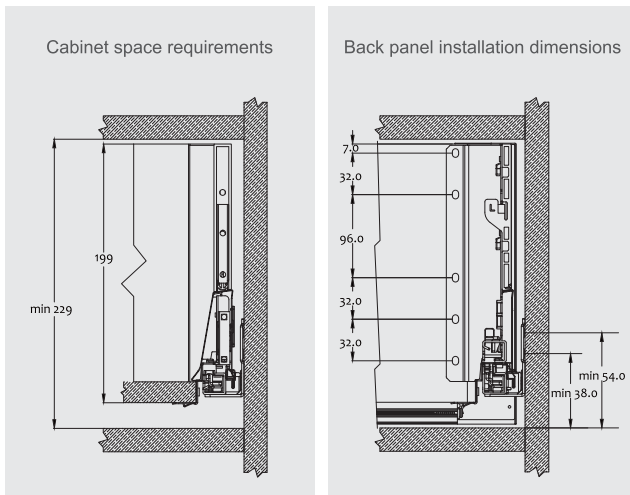
SS1800-04H

Inner drawer front panel (handle)

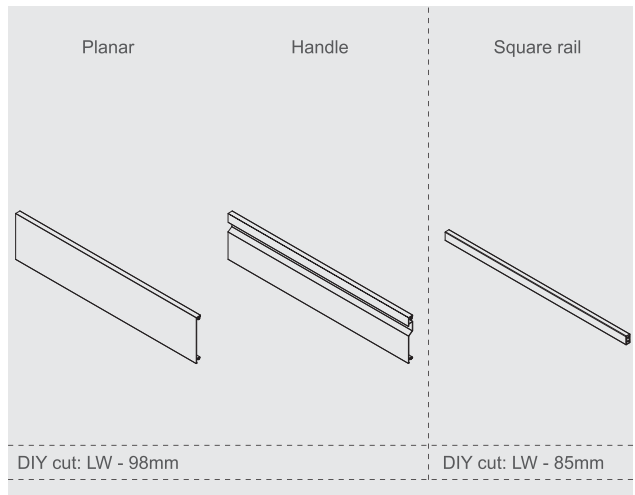
Material - aluminium
Color - Match for set color
Automatically cut - the cabinet body width LW - 98
Length: 600mm;800mm;900mm;1000mm;1200mm



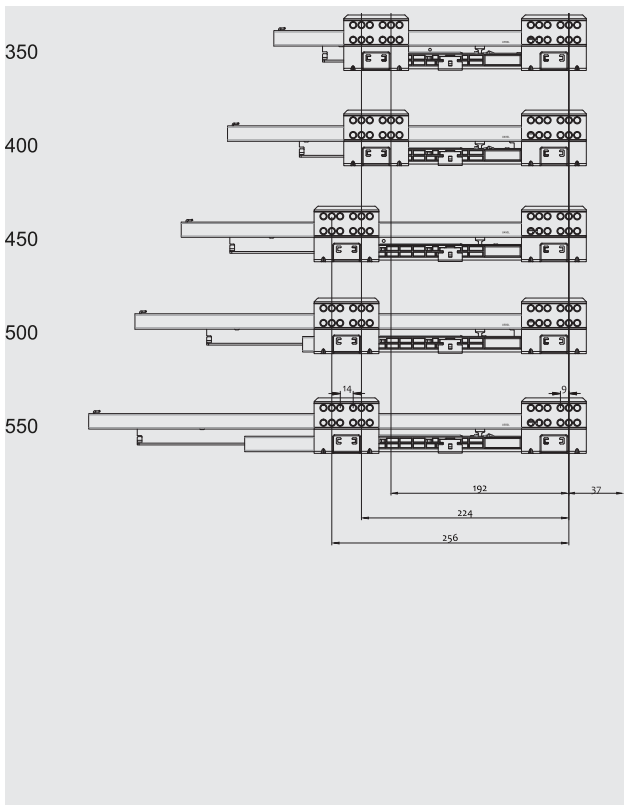
Mounting



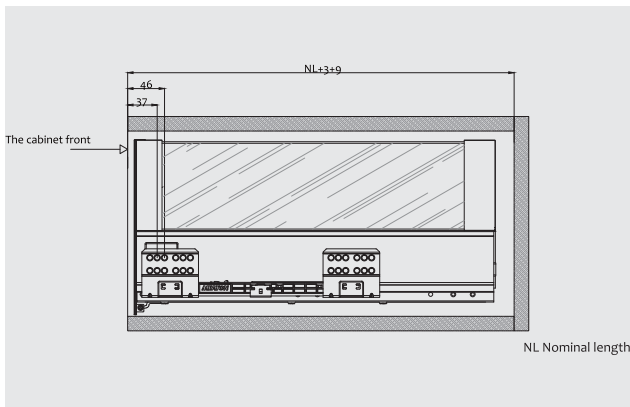
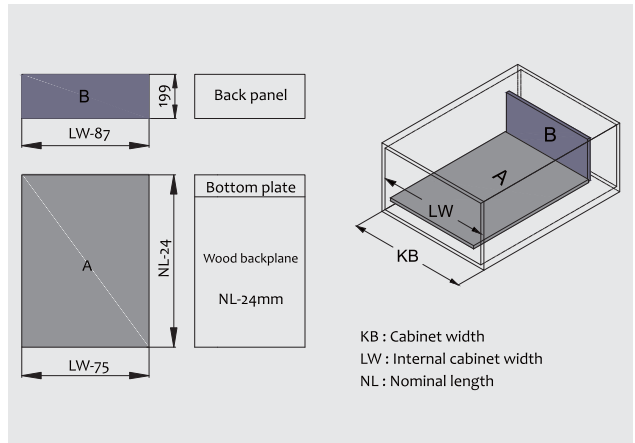
Internal front panel DIY cut



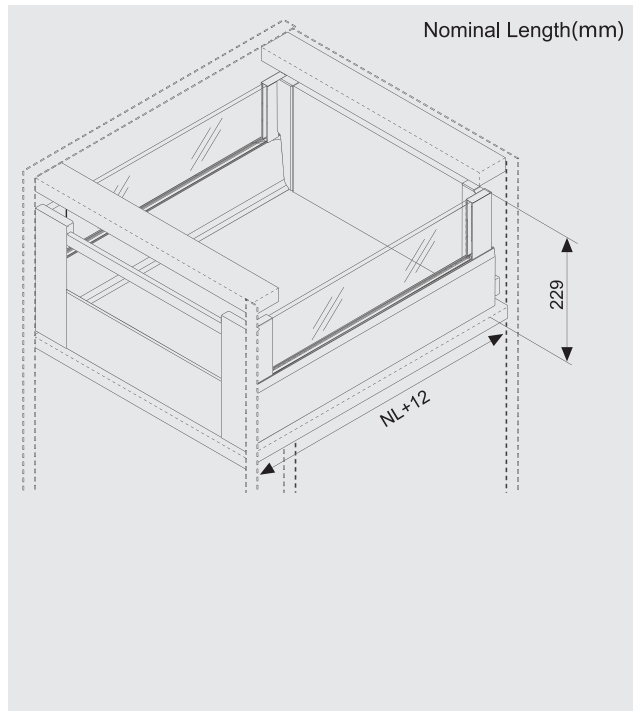
Drawer slide installation dimensions



Cutting dimensions for back panel



Space required



B

Classical Drawer System

CLASSICAL DRAWER SYSTEM

SB1801 - D07/ SB1801 - D07H

Inner classical box with extended side glass and front panel, height 199mm



B

Classical Drawer System

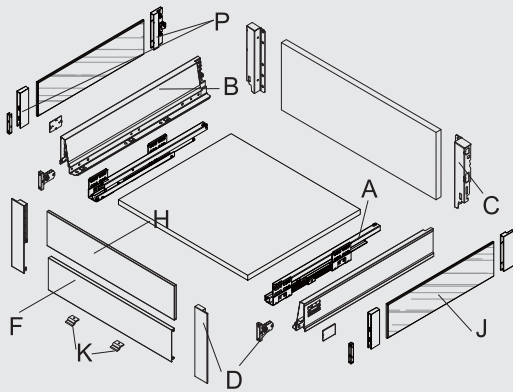


SOFT-CLOSE

- Inner drawer, height 199mm.
- Loading capacity: 40Kg.
- Wide range of depth from 350mm;400mm;450mm;500mm;550mm.
- Front panel with different length, 600, 800, 900, 1000, 1200mm.
- 4 regular colors: Black(B), White(W), Dark grey(G), Light grey(O), custom-made colors acceptable.
- Front convenient fine adjustment mechanism integrated.
Up & down ± 1.5 mm, left & right ± 1.5 mm.
- Synchronization mechanism of the slides stabilizes the sliding motion and eliminates noises from the living space.

Product information

Components view



A: SS1801-S

Drawer slide L/R

Material - SECC

Loading capacity: 40kg

Length: 350mm;400mm;450mm;500mm;550mm.



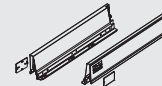
B: SS1801-B

Side wall L/R

Material - cold-rolled steel

Color - Match for set color

Length: 350mm;400mm;450mm;500mm;550mm.



C: SS1800-L199

Back panel connector L/R

Material - cold-rolled steel

Color - Match for set color



J: SS1800-09T/ SS1800-09S

8mm Glass plates L/R

Material - glass

Color - transparent/ frosted

Length: 350mm;400mm;450mm;500mm;550mm.

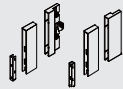


P: SS1800-10

8mm Glass fasteners L/R

Material - SECC + plastic

Color - Match for set color



H: SS1800-11

Inner drawer extended front panel

Material - aluminium

Color - Match for set color

Automatically cut - the cabinet body width LW - 85

Length: 600mm;800mm;900mm;1000mm;1200mm



K: SS1800-37

Front panel bracket to bottom panel

Material - plastic

Color - Silver grey

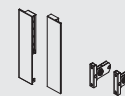


D: SS1801-F199G

Inner drawer front connector L/R

Material - cold-rolled steel + plastic

Color - Match for set color

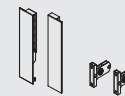


SS1801-F199GH

Inner drawer front connector (handle) L/R

Material - cold-rolled steel + plastic

Color - Match for set color



F: SS1800-04

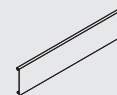
Inner drawer front panel

Material - aluminium

Color - Match for set color

Automatically cut - the cabinet body width LW - 98

Length: 600mm;800mm;900mm;1000mm;1200mm



SS1800-04H

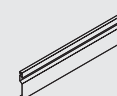
Inner drawer front panel (handle)

Material - aluminium

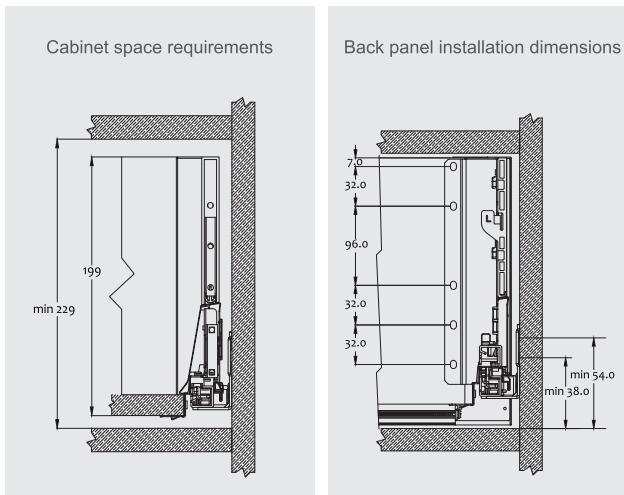
Color - Match for set color

Automatically cut - the cabinet body width LW - 98

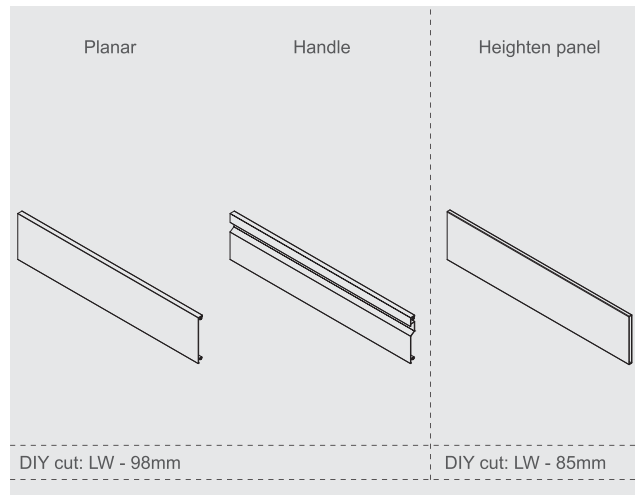
Length: 600mm;800mm;900mm;1000mm;1200mm



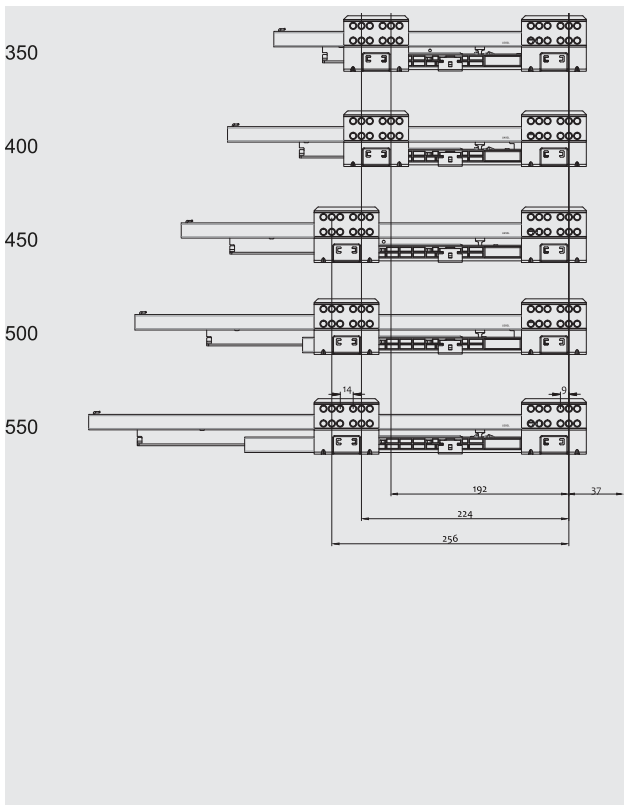
Mounting



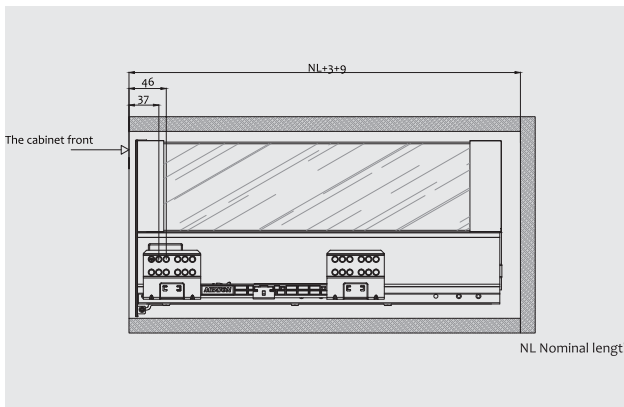
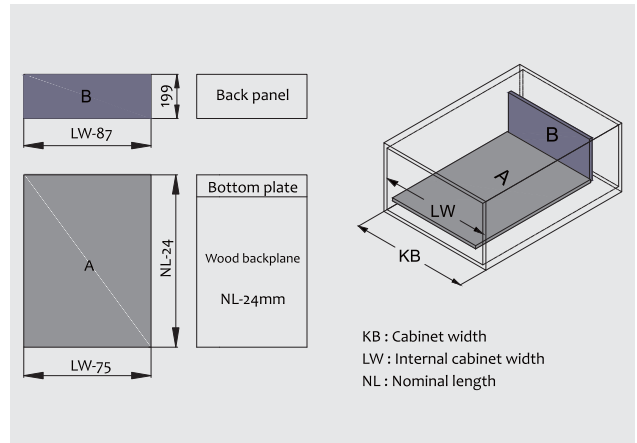
Internal front panel DIY cut



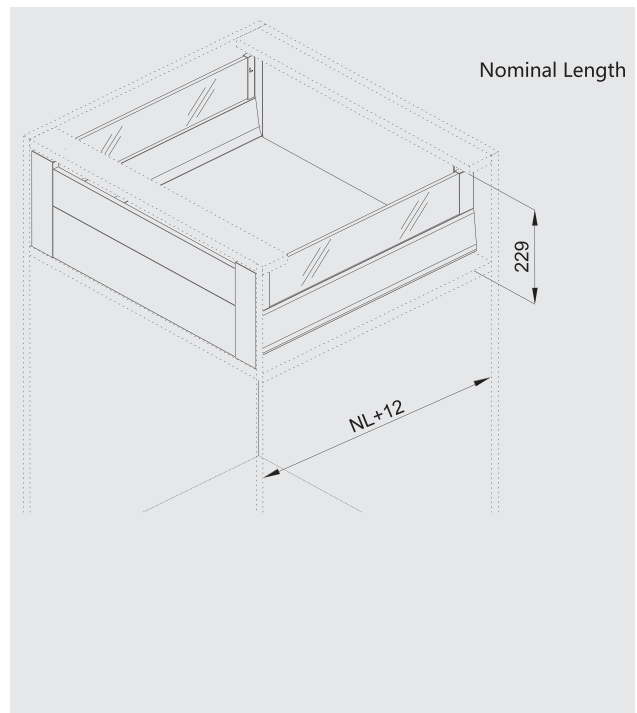
Drawer slide installation dimensions



Cutting dimensions for back panel



Space required



B

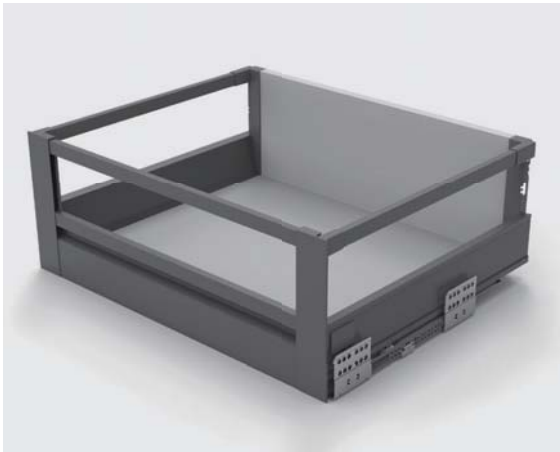
Classical Drawer System

CLASSICAL DRAWER SYSTEM

SB1801 - D08/ SB1801 - D08H



Inner classical box with side square railings and front panel square railing, height 199mm



SOFT-CLOSE

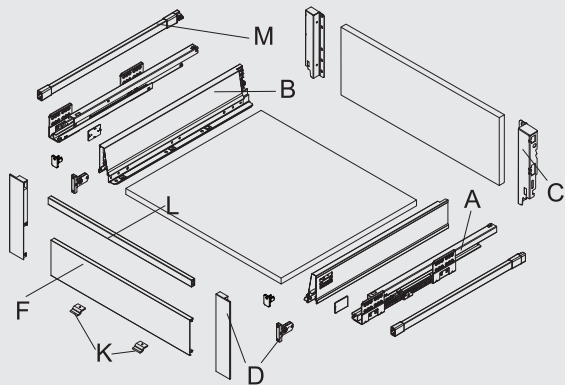
- Inner drawer, height 199mm.
- Loading capacity: 40Kg.
- Wide range of depth from 270mm;300mm;350mm;400mm;450mm;500mm;550mm.
- Front panel with different length, 600, 800, 900, 1000, 1200mm.
- 4 regular colors: Black(B), White(W), Dark grey(G), Light grey(O), custom-made colors acceptable.
- Front convenient fine adjustment mechanism integrated.
Up & down ± 1.5 mm, left & right ± 1.5 mm.
- Synchronization mechanism of the slides stabilizes the sliding motion and eliminates noises from the living space.

B

Classical Drawer System

Product information

Components view



A: SS1801-S

Drawer slide L/R

Material - SECC

Loading capacity: 40kg

Length: 270mm;300mm;350mm;400mm;450mm;500mm;550mm.



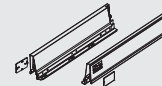
B: SS1801-B

Side wall L/R

Material - cold-rolled steel

Color - Match for set color

Length: 270mm;300mm;350mm;400mm;450mm;500mm;550mm.



C: SS1800-L199

Back panel connector L/R

Material - cold-rolled steel

Color - Match for set color

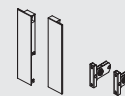


D: SS1801-F199

Inner drawer front connector L/R

Material - cold-rolled steel + plastic

Color - Match for set color

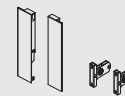


SS1801-F199H

Inner drawer front connector (handle) L/R

Material - cold-rolled steel + plastic

Color - Match for set color



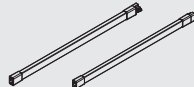
M: SS1801-12

Side square railings

Material - aluminium + plastic

Color - Match for set color

Length: 270mm;300mm;350mm;400mm;450mm;500mm;550mm.



L: S52932

Front square railing

Material - aluminium

Color - Match for set color

Automatically cut - the cabinet body width LW - 85

Length: 600mm;800mm;900mm;1000mm;1200mm



K: SS1800-37

Front panel bracket to bottom panel

Material - plastic

Color - Silver grey



F: SS1800-04

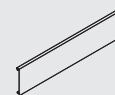
Inner drawer front panel

Material - aluminium

Color - Match for set color

Automatically cut - the cabinet body width LW - 98

Length: 600mm;800mm;900mm;1000mm;1200mm



SS1800-04H

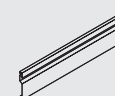
Inner drawer front panel (handle)

Material - aluminium

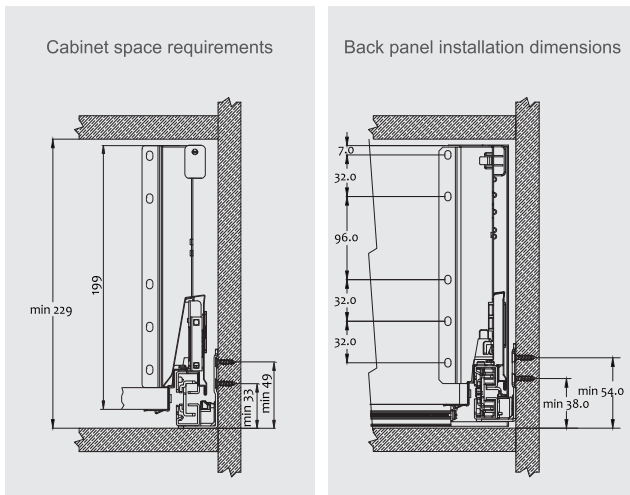
Color - Match for set color

Automatically cut - the cabinet body width LW - 98

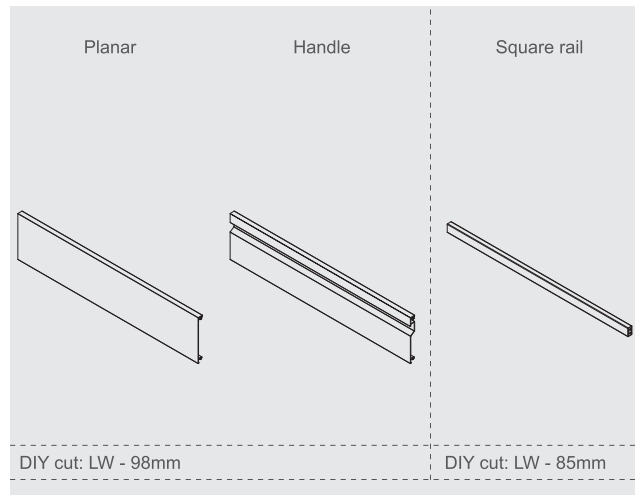
Length: 600mm;800mm;900mm;1000mm;1200mm



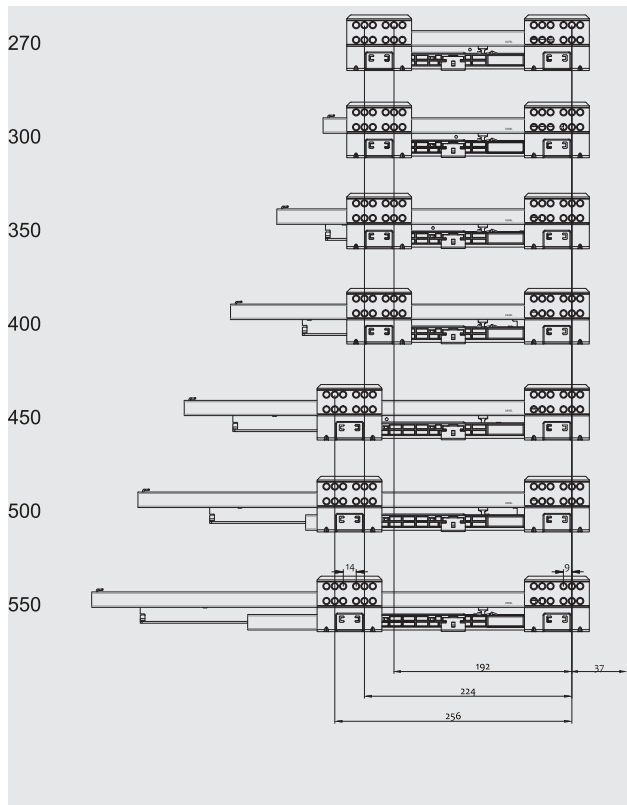
Mounting



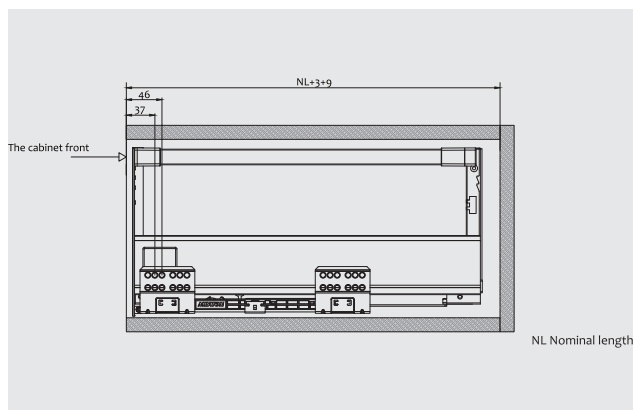
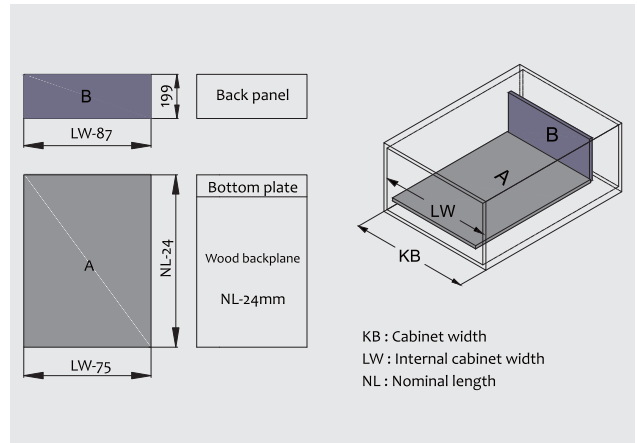
Internal front panel DIY cut



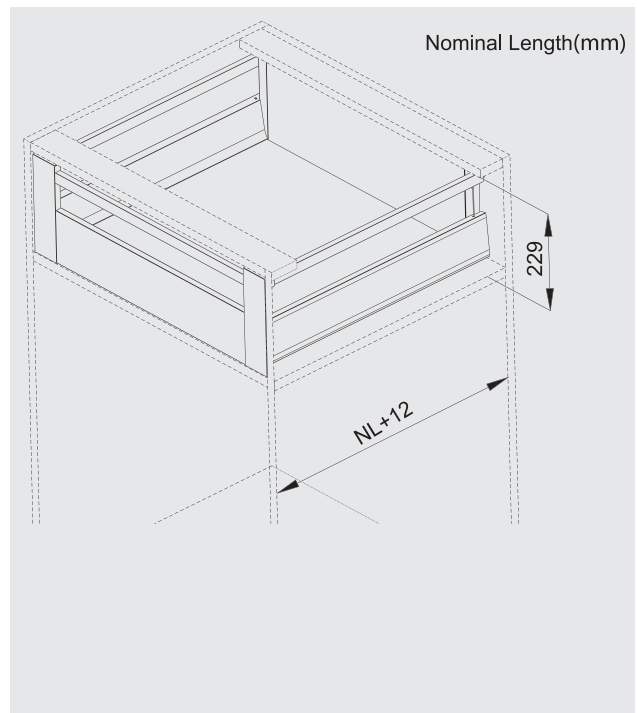
Drawer slide installation dimensions



Cutting dimensions for back panel



Space required



CLASSICAL DRAWER SYSTEM

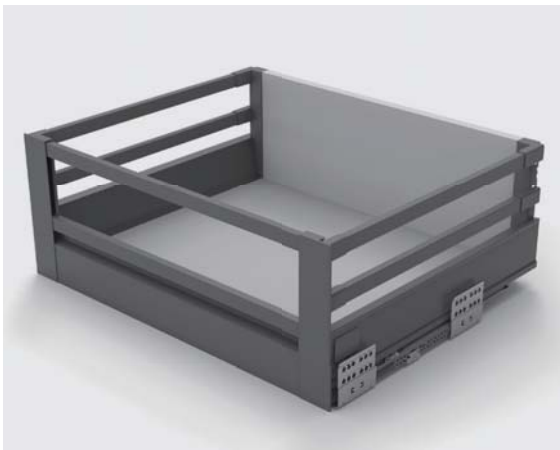
SB1801 - D09/ SB1801 - D09H

Inner classical box with side two square railings and front panel with square railing, height 199mm



B

Classical Drawer System

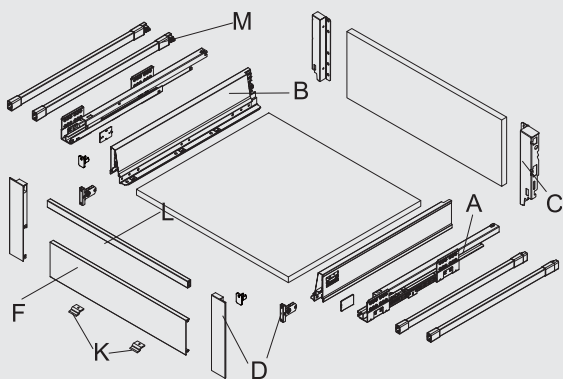


SOFT-CLOSE

- Inner drawer, height 199mm.
- Loading capacity: 40Kg.
- Wide range of depth from 270mm;300mm;350mm;400mm;450mm;500mm;550mm.
- Front panel with different length, 600, 800, 900, 1000, 1200mm.
- 4 regular colors: Black(B), White(W), Dark grey(G), Light grey(O), custom-made colors acceptable.
- Front convenient fine adjustment mechanism integrated. Up & down ± 1.5 mm, left & right ± 1.5 mm.
- Synchronization mechanism of the slides stabilizes the sliding motion and eliminates noises from the living space.

Product information

Components view



A: SS1801-S

Drawer slide L/R

Material - SECC

Loading capacity: 40kg

Length: 270mm;300mm;350mm;400mm;450mm;500mm;550mm.



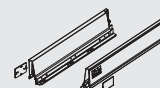
B: SS1801-B

Side wall L/R

Material - cold-rolled steel

Color - Match for set color

Length: 270mm;300mm;350mm;400mm;450mm;500mm;550mm.



C: SS1800-L199

Back panel connector L/R

Material - cold-rolled steel

Color - Match for set color

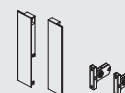


D: SS1801-F199

Inner drawer front connector L/R

Material - cold-rolled steel + plastic

Color - Match for set color

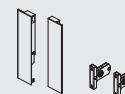


SS1801-F199H

Inner drawer front connector (handle) L/R

Material - cold-rolled steel + plastic

Color - Match for set color



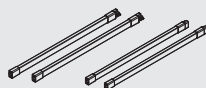
M: SS1801-12 (*2)

Side square railings

Material - aluminium + plastic

Color - Match for set color

Length: 270mm;300mm;350mm;400mm;450mm;500mm;550mm.



L: S52932

Front square railing

Material - aluminium

Color - Match for set color

Automatically cut - the cabinet body width LW - 85

Length: 600mm;800mm;900mm;1000mm;1200mm

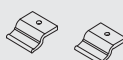


K: SS1800-37

Front panel bracket to bottom panel

Material - plastic

Color - Silver grey



F: SS1800-04

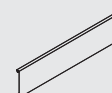
Inner drawer front panel

Material - aluminium

Color - Match for set color

Automatically cut - the cabinet body width LW - 98

Length: 600mm;800mm;900mm;1000mm;1200mm



SS1800-04H

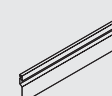
Inner drawer front panel (handle)

Material - aluminium

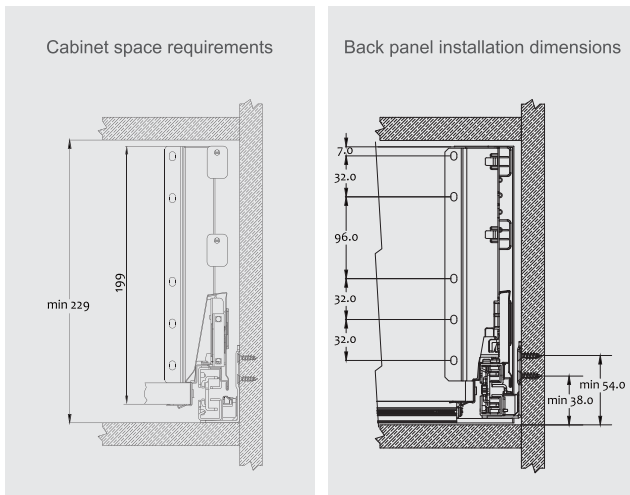
Color - Match for set color

Automatically cut - the cabinet body width LW - 98

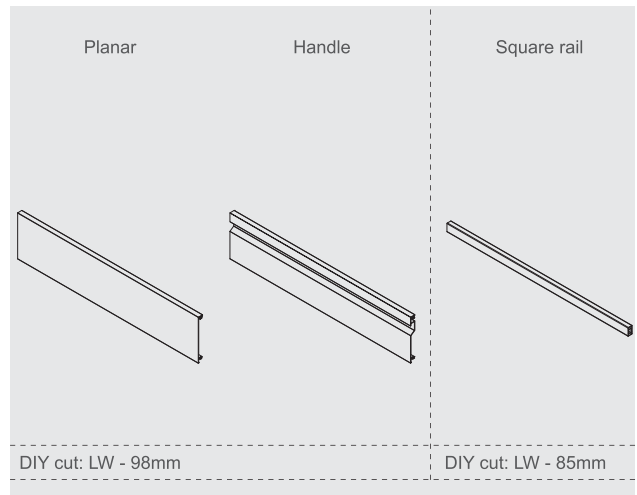
Length: 600mm;800mm;900mm;1000mm;1200mm



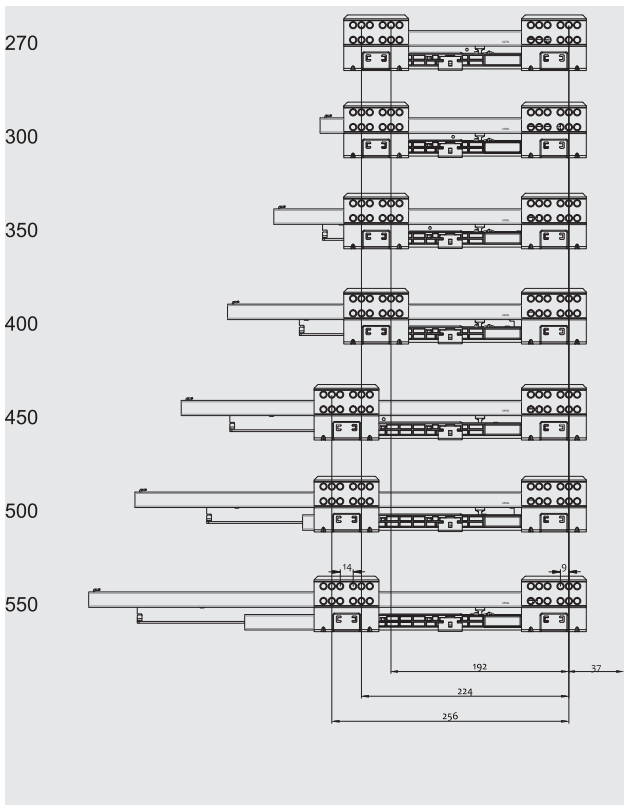
Mounting



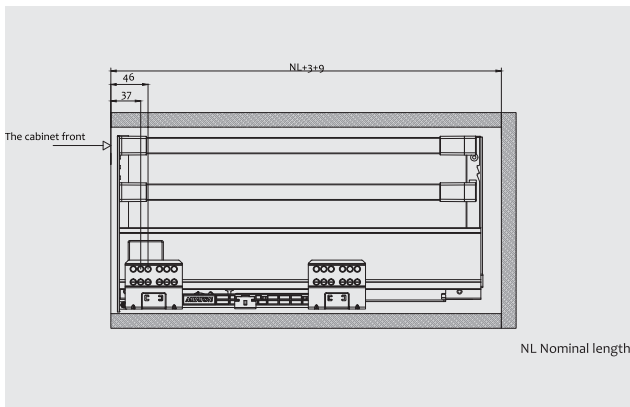
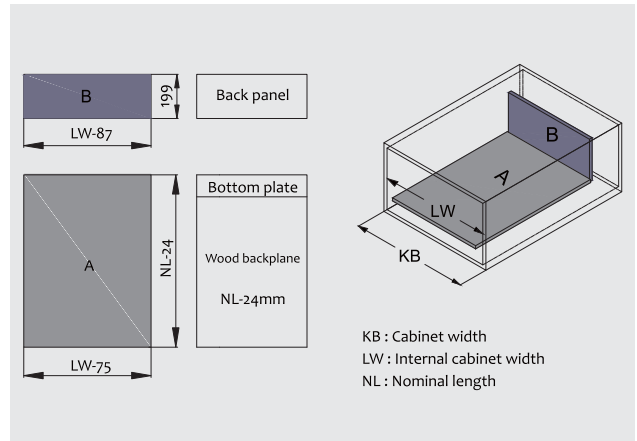
Internal front panel DIY cut



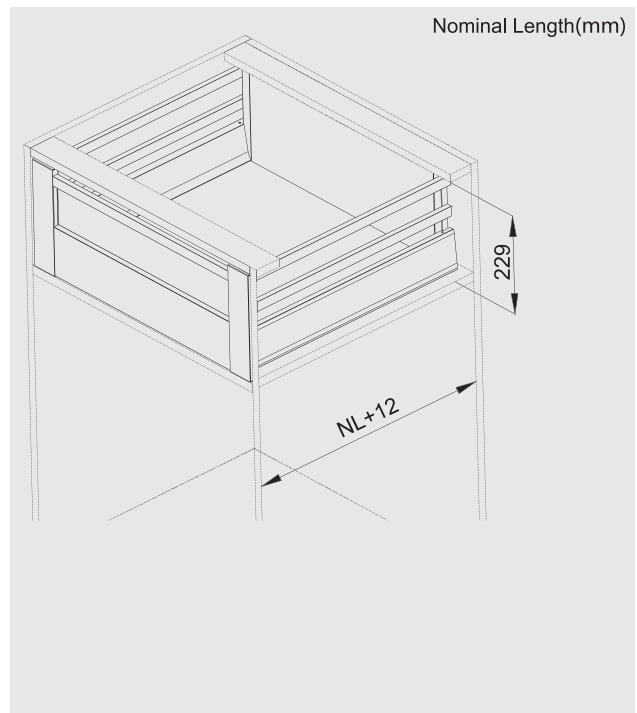
Drawer slide installation dimensions



Cutting dimensions for back panel



Space required



CLASSICAL DRAWER SYSTEM

SB1801 - D10/ SB1801 - D10H

Inner classical box with side square railings and front panel, height 199mm



B

Classical Drawer System

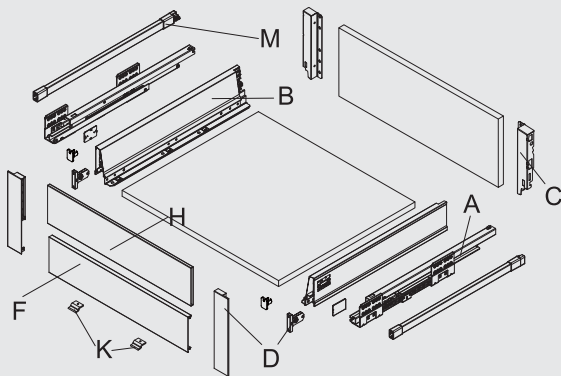


SOFT-CLOSE

- Inner drawer, height 199mm.
- Loading capacity: 40Kg.
- Wide range of depth from 270mm;300mm;350mm;400mm;450mm;500mm;550mm.
- Front panel with different length, 600, 800, 900, 1000, 1200mm.
- 4 regular colors: Black(B), White(W), Dark grey(G), Light grey(O), custom-made colors acceptable.
- Front convenient fine adjustment mechanism integrated. Up & down ± 1.5 mm, left & right ± 1.5 mm.
- Synchronization mechanism of the slides stabilizes the sliding motion and eliminates noises from the living space.

Product information

Components view



A: SS1801-S

Drawer slide L/R

Material - SECC
Loading capacity: 40kg

Length: 270mm;300mm;350mm;400mm;450mm;500mm;550mm.

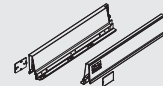


B: SS1801-B

Side wall L/R

Material - cold-rolled steel
Color - Match for set color

Length: 270mm;300mm;350mm;400mm;450mm;500mm;550mm.



C: SS1800-L199

Back panel connector L/R

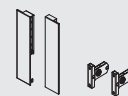
Material - cold-rolled steel
Color - Match for set color



D: SS1801-F199G

Inner drawer front connector L/R

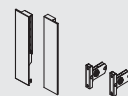
Material - cold-rolled steel + plastic
Color - Match for set color



SS1801-F199GH

Inner drawer front connector (handle) L/R

Material - cold-rolled steel + plastic
Color - Match for set color

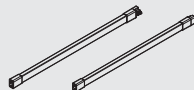


M: SS1801-12

Side square railings

Material - aluminium + plastic
Color - Match for set color

Length: 270mm;300mm;350mm;400mm;450mm;500mm;550mm.



H: SS1800-11

Inner drawer extended front panel

Material - aluminium
Color - Match for set color

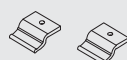
Automatically cut - the cabinet body width LW - 85
Length: 600mm;800mm;900mm;1000mm;1200mm



K: SS1800-37

Front panel bracket to bottom panel

Material - plastic
Color - Silver grey

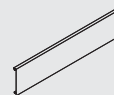


F: SS1800-04

Inner drawer front panel

Material - aluminium
Color - Match for set color

Automatically cut - the cabinet body width LW - 98
Length: 600mm;800mm;900mm;1000mm;1200mm

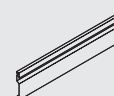


SS1800-04H

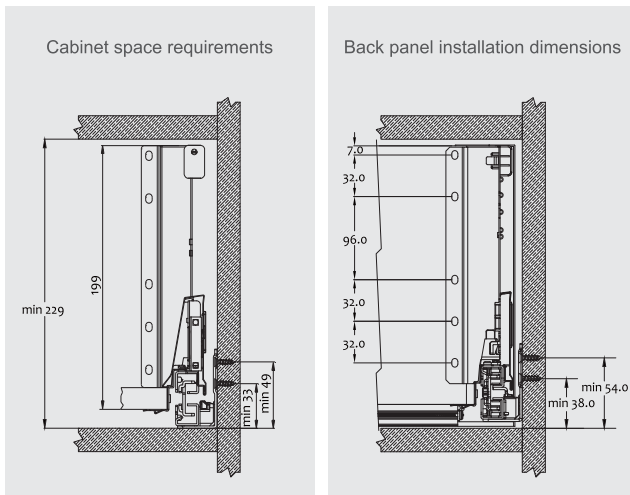
Inner drawer front panel (handle)

Material - aluminium
Color - Match for set color

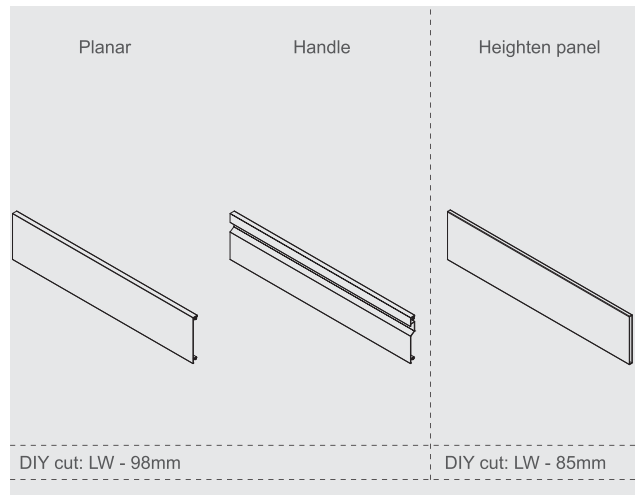
Automatically cut - the cabinet body width LW - 98
Length: 600mm;800mm;900mm;1000mm;1200mm



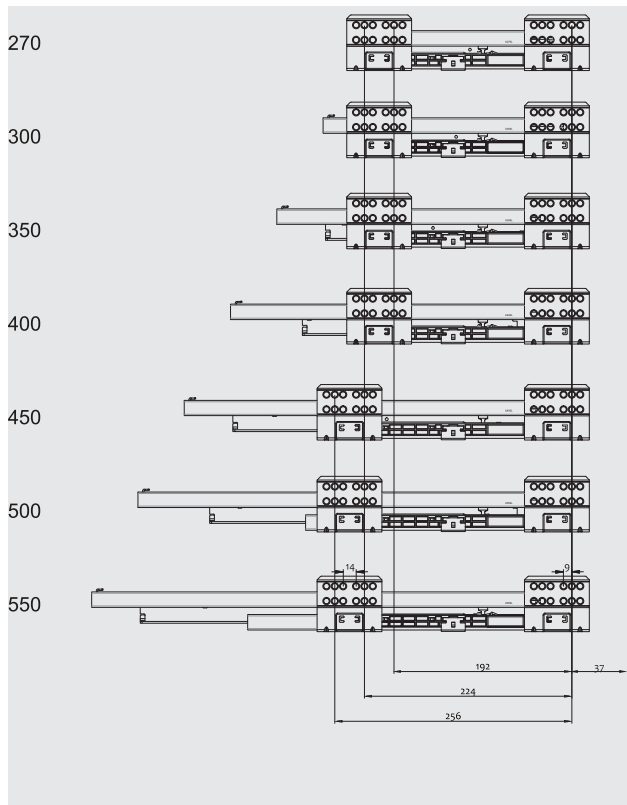
Mounting



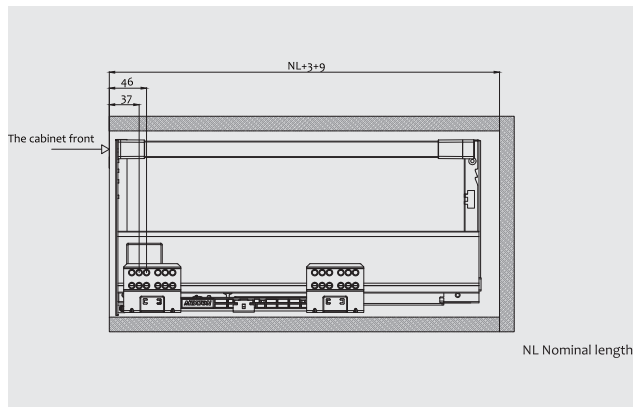
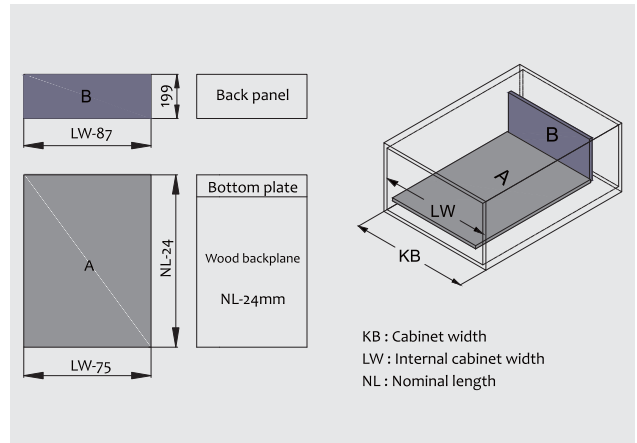
Internal front panel DIY cut



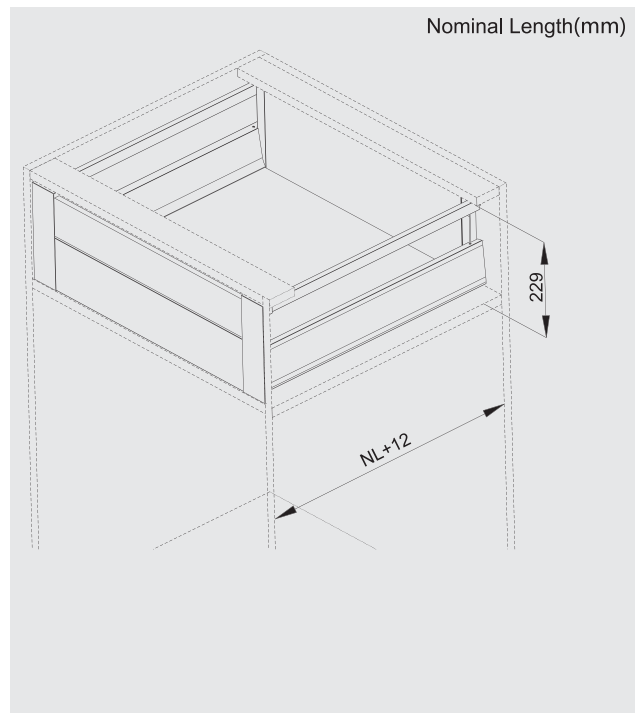
Drawer slide installation dimensions



Cutting dimensions for back panel



Space required



CLASSICAL DRAWER SYSTEM

SB1801 - D11/ SB1801 - D11H

Inner classical box with two side square railings and front panel, height 199mm



SOFT-CLOSE

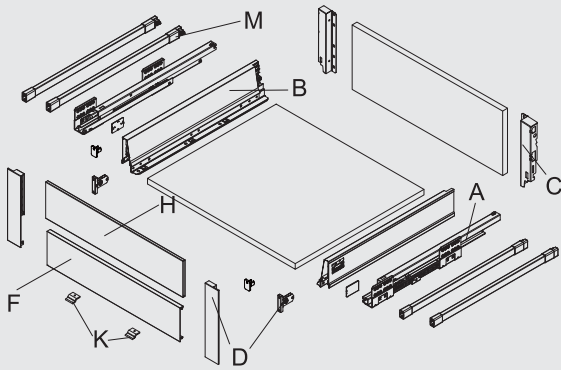
- Inner drawer, height 199mm.
- Loading capacity: 40Kg.
- Wide range of depth from 270mm;300mm;350mm;400mm;450mm;500mm;550mm.
- Front panel with different length, 600, 800, 900, 1000, 1200mm.
- 4 regular colors: Black(B), White(W), Dark grey(G), Light grey(O), custom-made colors acceptable.
- Front convenient fine adjustment mechanism integrated. Up & down ± 1.5 mm, left & right ± 1.5 mm.
- Synchronization mechanism of the slides stabilizes the sliding motion and eliminates noises from the living space.

B

Classical Drawer System

Product information

Components view



A: SS1801-S

Drawer slide L/R

Material - SECC

Loading capacity: 40kg

Length: 270mm;300mm;350mm;400mm;450mm;500mm;550mm.



B: SS1801-B

Side wall L/R

Material - cold-rolled steel

Color - Match for set color

Length: 270mm;300mm;350mm;400mm;450mm;500mm;550mm.



C: SS1800-L199

Back panel connector L/R

Material - cold-rolled steel

Color - Match for set color

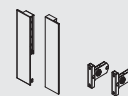


D: SS1801-F199G

Inner drawer front connector L/R

Material - cold-rolled steel + plastic

Color - Match for set color

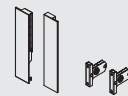


SS1801-F199GH

Inner drawer front connector (handle) L/R

Material - cold-rolled steel + plastic

Color - Match for set color



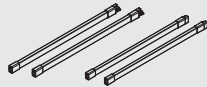
M: SS1801-12 (*2)

Side square railings

Material - aluminium + plastic

Color - Match for set color

Length: 270mm;300mm;350mm;400mm;450mm;500mm;550mm.



H: SS1800-11

Inner drawer extended front panel

Material - aluminium

Color - Match for set color

Automatically cut - the cabinet body width LW - 85

Length: 600mm;800mm;900mm;1000mm;1200mm

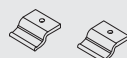


K: SS1800-37

Front panel bracket to bottom panel

Material - plastic

Color - Silver grey



F: SS1800-04

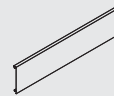
Inner drawer front panel

Material - aluminium

Color - Match for set color

Automatically cut - the cabinet body width LW - 98

Length: 600mm;800mm;900mm;1000mm;1200mm



SS1800-04H

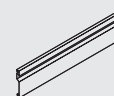
Inner drawer front panel (handle)

Material - aluminium

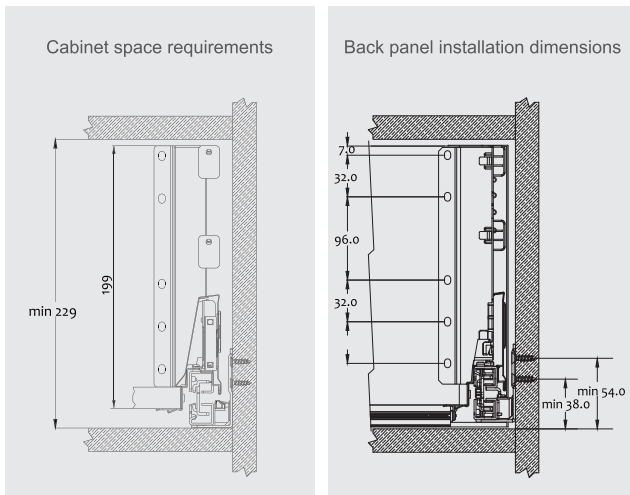
Color - Match for set color

Automatically cut - the cabinet body width LW - 98

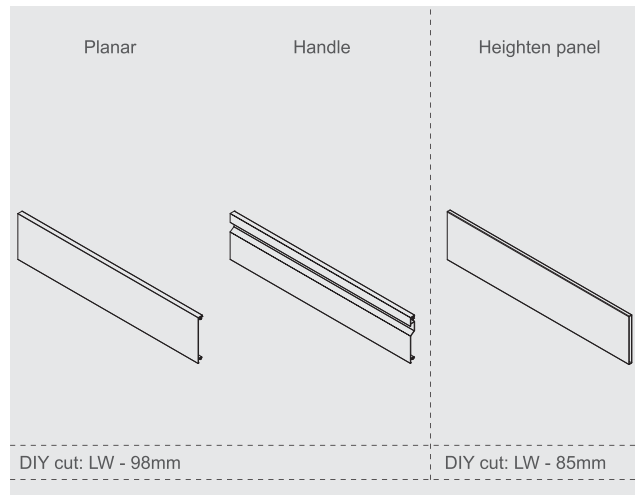
Length: 600mm;800mm;900mm;1000mm;1200mm



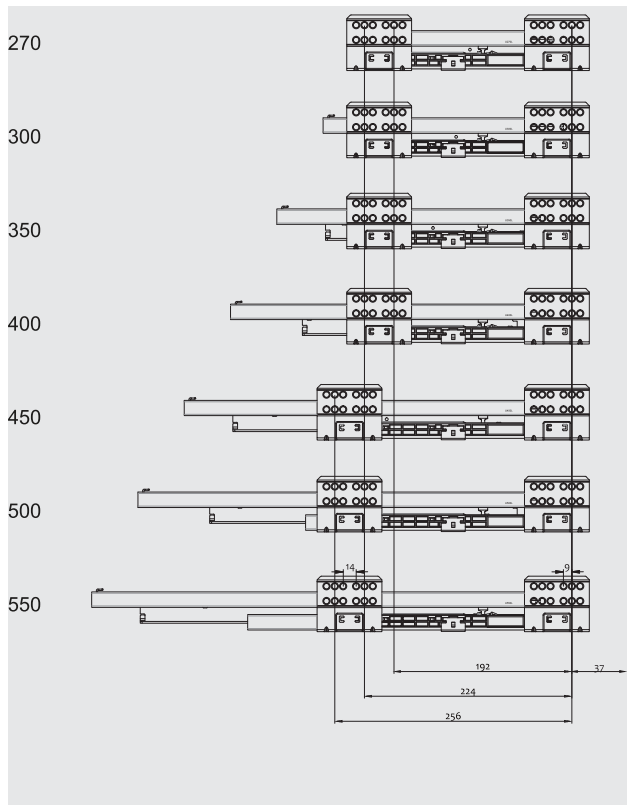
Mounting



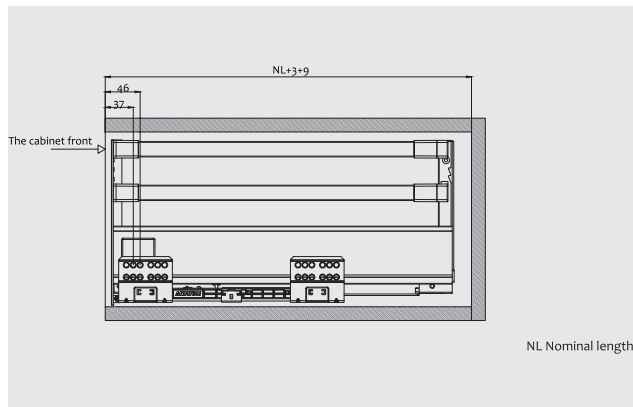
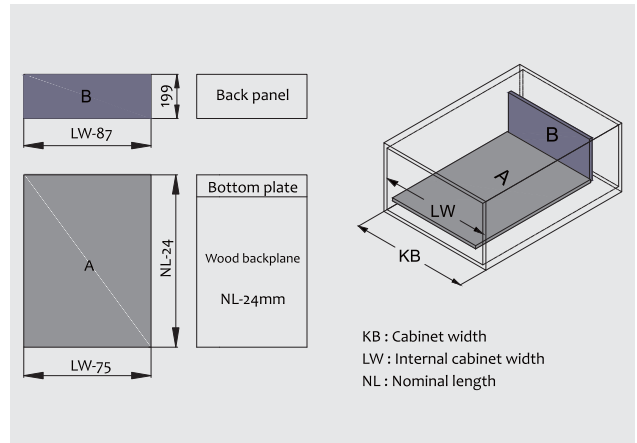
Internal front panel DIY cut



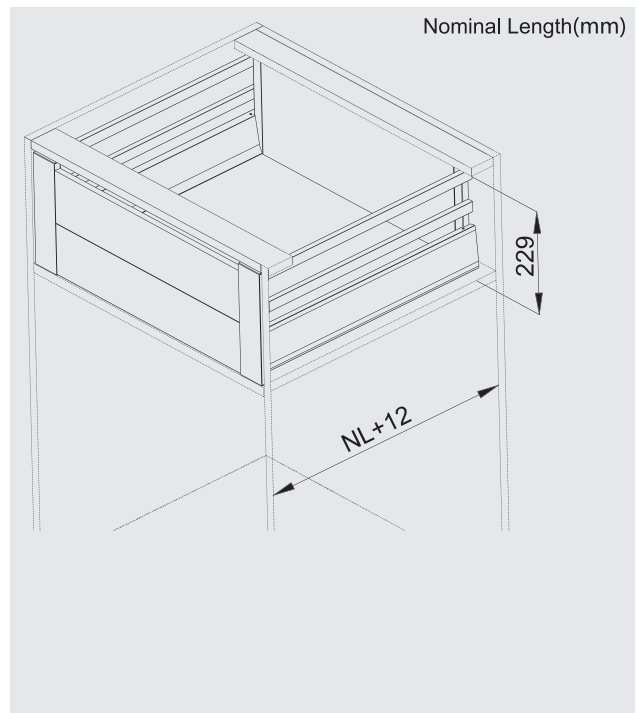
Drawer slide installation dimensions



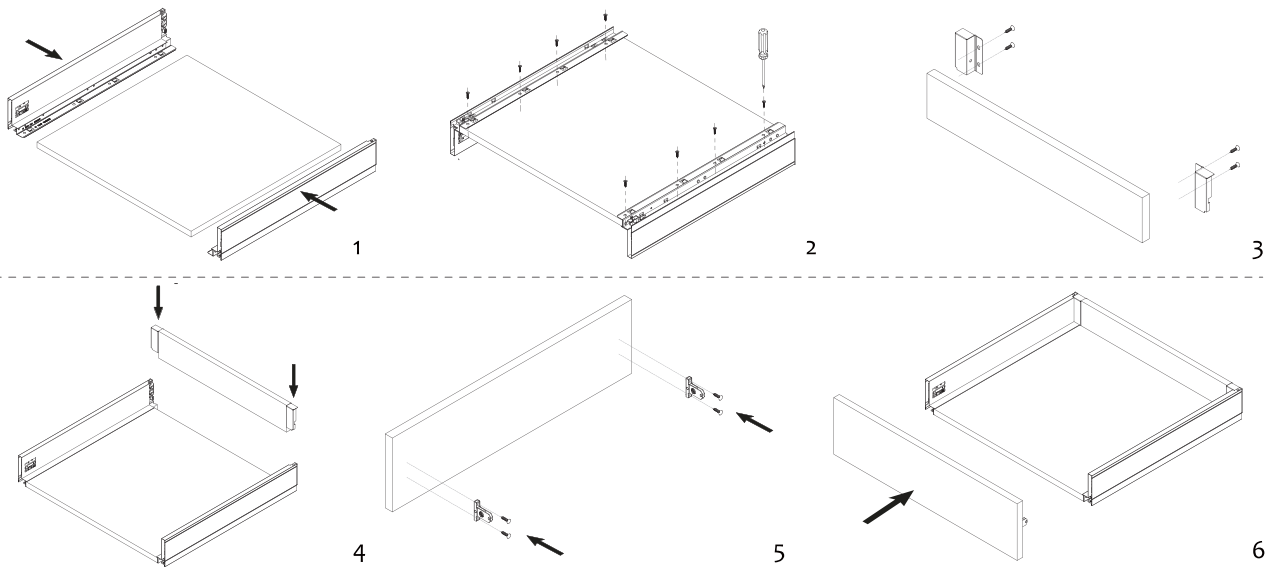
Cutting dimensions for back panel



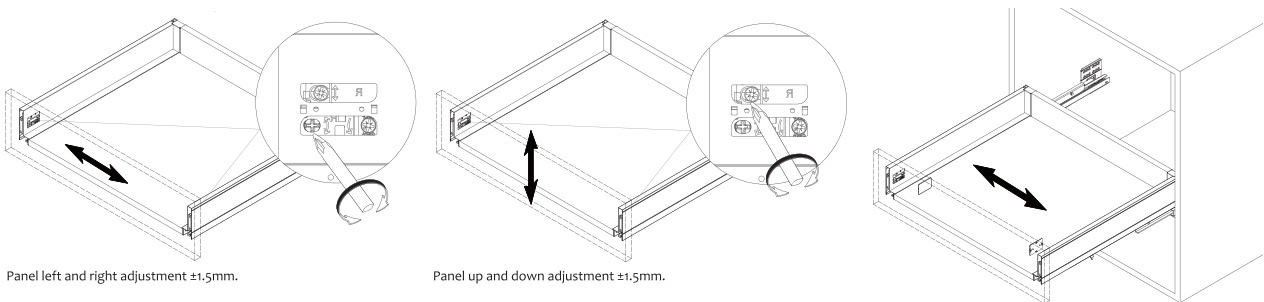
Space required



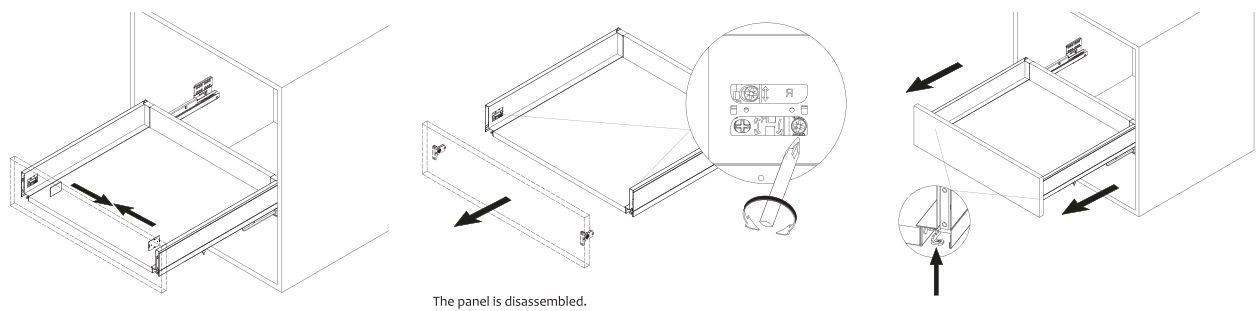
Drawer installation



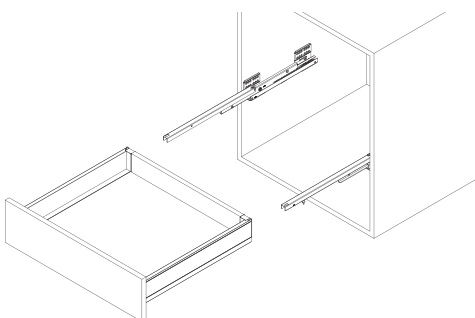
Front panel adjustment.



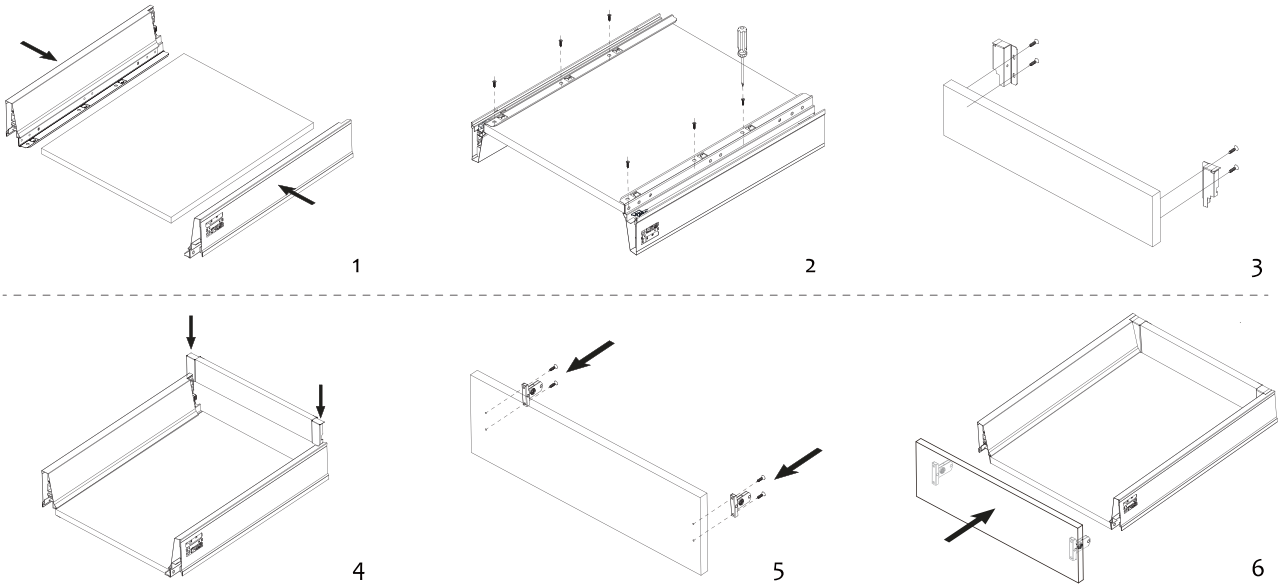
Drawer disassembly.



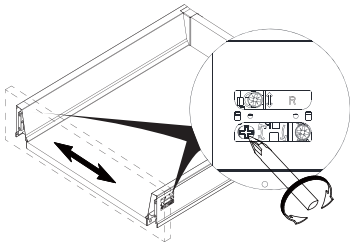
Drawer removal



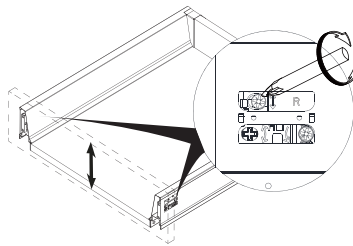
Drawer installation



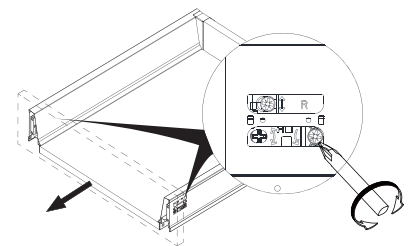
Regulation



Panel left and right adjustment $\pm 1.5\text{mm}$

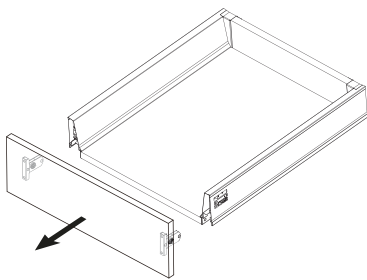


Up and down adjustment of the panel $\pm 1.5\text{mm}$

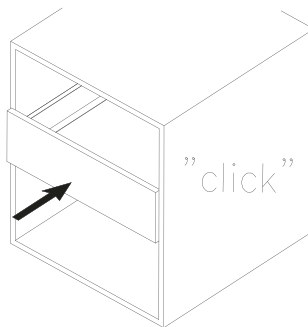


Panel removal

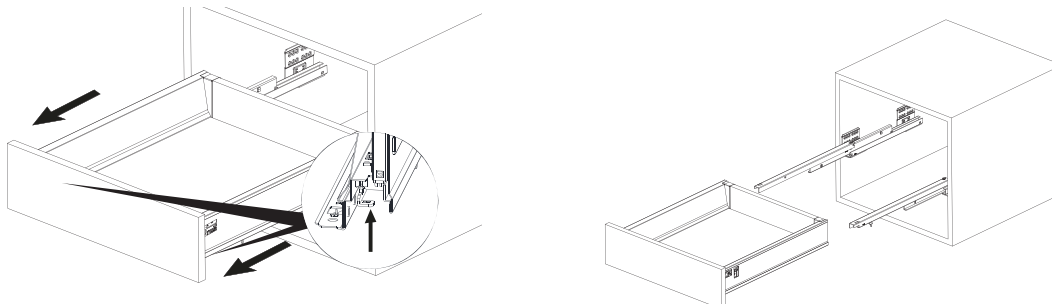
Panel removing



The drawer is installed



Drawer removal



FITTINGS

SS1800 - 18

Round grid fittings



SS1800-18 - Plate holder

Material - stainless steel + plastic

Length: 260-410mm

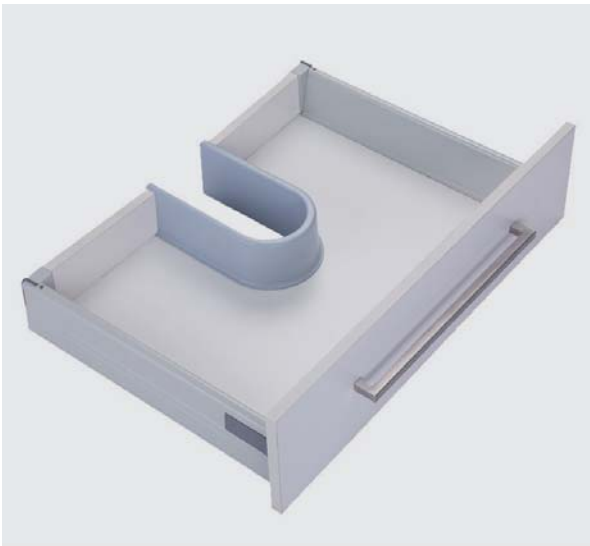
Total height: 170mm

Wide: 150mm



SS1800 - 28 / 44

U-shape sink Classical drawer system

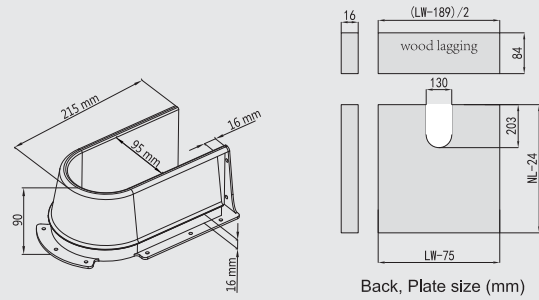


SS1800 - 28

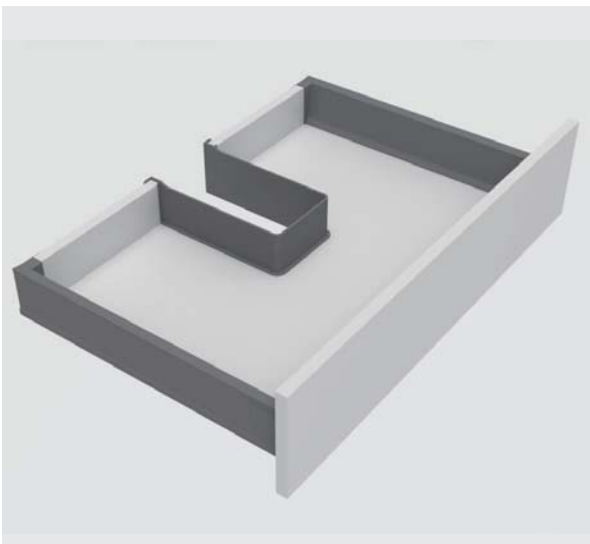
Material - Plastic

Color - Match for set color

Height - 86mm



Back, Plate size (mm)

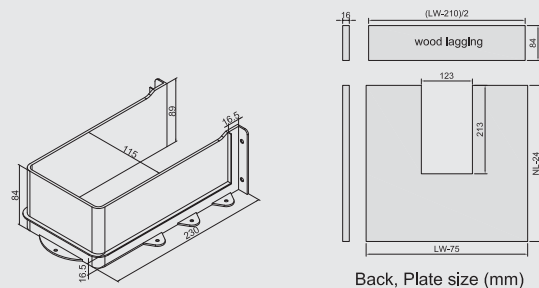


SS1800 - 44

Material - Plastic

Color - Match for set color

Height available - 86mm



Back, Plate size (mm)

FITTINGS

MEATON

SS1800 - 30/ 31/ 32

Glass grid fittings

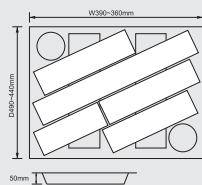
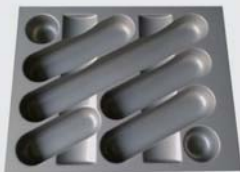


B

Fittings

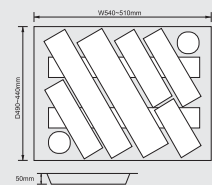
SS1800 - 30

Material - Plastic
Color - Silver grey



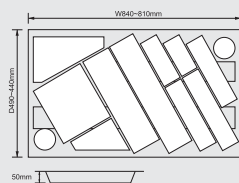
SS1800 - 31

Material - Plastic
Color - Silver grey



SS1800 - 32

Material - Plastic
Color - Silver grey



Depth	Width
490-440mm	390-360mm
	540-510mm
	840-810mm

FITTINGS

SS1620

Stainless steel 304 cutlery box

B
Fittings

SS1620 - B



Size: 450mm / 500mm

Depth	Specification
450mm	W103xD422xH64
500mm	W103xD472xH64

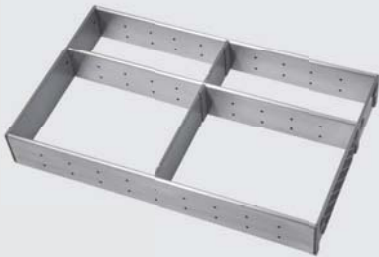
SS1620 - C



Size: 450mm / 500mm

Depth	Specification
450mm	W280xD422xH64
500mm	W280xD472xH64

SS1620 - F



Size: 450mm / 500mm

Depth	Specification
450mm	W290xD422xH64
500mm	W290xD472xH64

SS1620 - G



Depth	Specification
/	W88xD176xH60
/	W88xD264xH60
/	W88xD352xH60

SS1620 - I



Size: 450mm / 500mm

Depth	Specification
450mm	W376xD422xH64
500mm	W376xD472xH64

SS1042-A & SS1047-A & SS1542-A/B/C & SS1547-A/B/C KITCHEN STORAGE SYSTEM



3D rendering of a narrow dividing box with dimensions: 100mm width, 420/470mm length, and 55mm height. The box is divided into two compartments.

Narrow Dividing Boxes

SS1042-A/ SS1047-A

Size W*D*H: 100*420/470*55mm
Material: Compact Laminated Board + Coated Gal. Steel Sheet



3D rendering of a wide dividing box with dimensions: 150mm width, 420/470mm length, and 55mm height. The box is divided into two compartments.

Wide Dividing Boxes

SS1542-A/ SS1547-A

Size W*D*H: 150*420/470*55mm
Material: Compact Laminated Board + Coated Gal. Steel Sheet



3D rendering of a knives holder with dimensions: 150mm width, 420/470mm length, and 55mm height. The holder has a central raised section for knife blades.

Knives Holder

SS1542-B/ SS1547-B

Size W*D*H: 150*420/470*55mm
Material: Compact Laminated Board + Coated Gal. Steel Sheet



3D rendering of a sliding surface box with dimensions: 150mm width, 420/470mm length, and 55mm height. The box features a sliding mechanism for a central compartment.

Sliding Surface Box

SS1542-C/ SS1547-C

Size W*D*H: 150*420/470*55mm
Material: Compact Laminated Board + Coated Gal. Steel Sheet

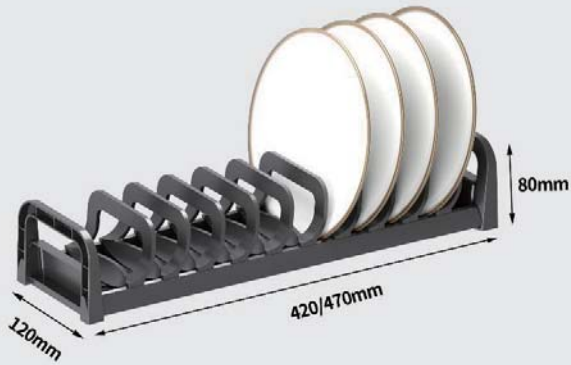
FITTINGS

SS1142-A/B/C/D & SS1147-A/B/C/D

KITCHEN STORAGE SYSTEM

B

Fittings



Dish Inserting Rack

SS1142-A/ SS1147-A

With 10/11 pcs posts

Size W*D*H: 120*420/470*80mm

Material: Aluminum Bottom + ABS Movable Dividers



Bowls Inserting Rack

SS1142-B/ SS1147-B

With 7/8 pcs posts

Size W*D*H: 90*420/470*80mm

Material: Aluminum Bottom + ABS Movable Dividers



Bowls Stacking Rack

SS1142-C/ SS1147-C

With 8 pcs posts

Size W*D*H: 105*420/470*180mm

Material: Aluminum Bottom + ABS Movable Dividers



Dish Stacking Rack

SS1142-D/ SS1147-D

With 8 pcs posts

Size W*D*H: 160*420/470*180mm

Material: Aluminum Bottom + ABS Movable Dividers

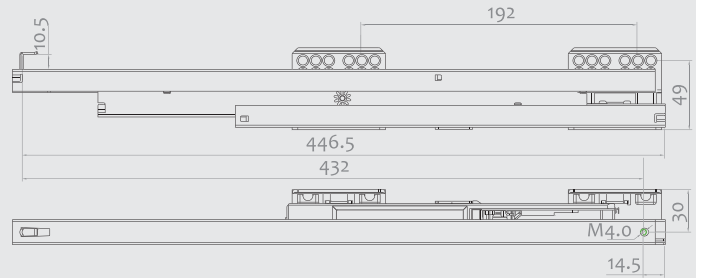
FITTINGS

SS0101/ SS0201/ SS0301

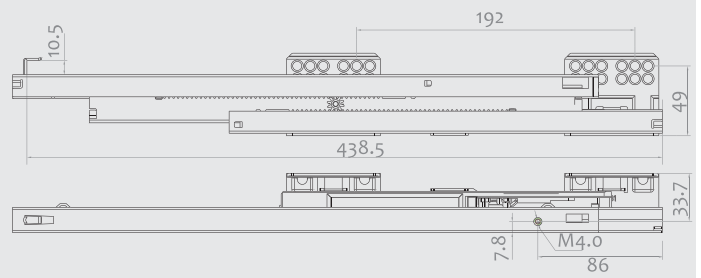
Pull-out basket slide



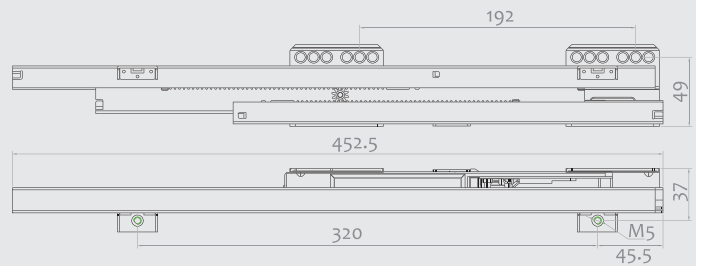
SS0101



SS0201



SS0301



FITTINGS

SS1622-S

Granule mats



SS1622-S

Large - granule mats
 Specification: 0.48x20m
 1x20m
 1.2x20m

B

Fittings

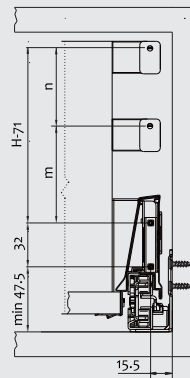
SS1801-36

Side square railings connector

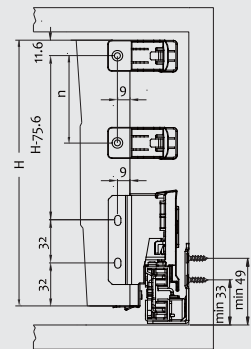


Material - POM
 Side square/ round railings connector
 Color - Match for set color

Front connector panel installation dimensions

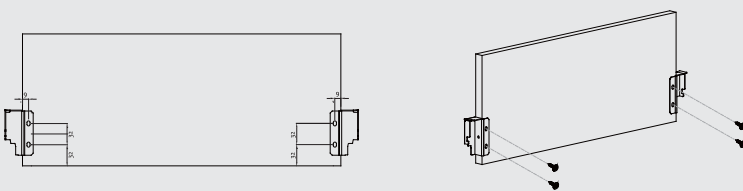


Back panel installation dimensions

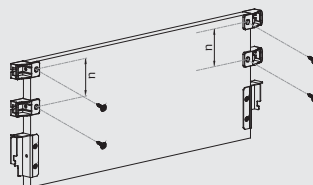
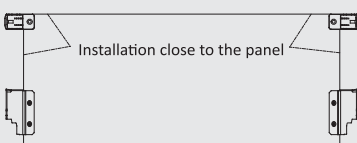


Explanation Of Installation On Several Specifical Cases

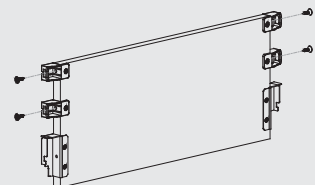
1. Installation of back brackets



2. Installation of DIY rods



Fastening and fixation



FITTINGS

SS2900-12

Side square railings with DIY connector

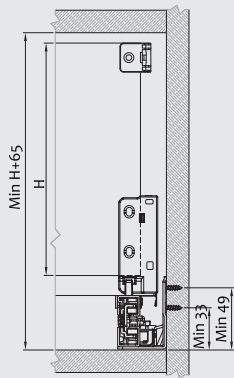


B

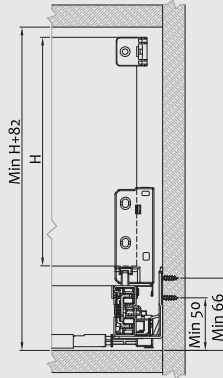
Fittings

Cabinet space requirements

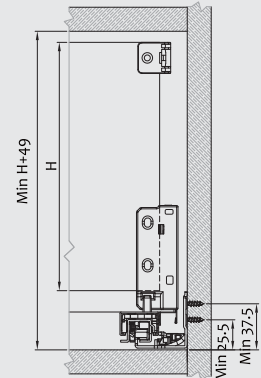
For Soft-close drawer system



For push-open drawer system with balance bar

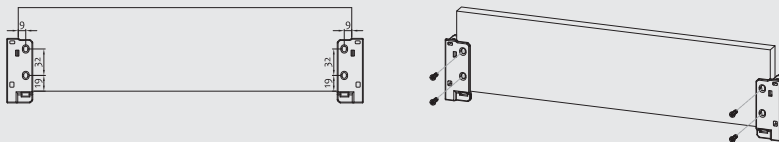


For 3-fold concealed drawer slide

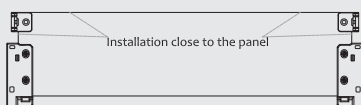


Explanation Of Installation On Several Specific Cases

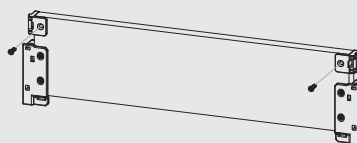
1. Installation of back brackets



2. Installation of DIY rods



Fastening and fixation



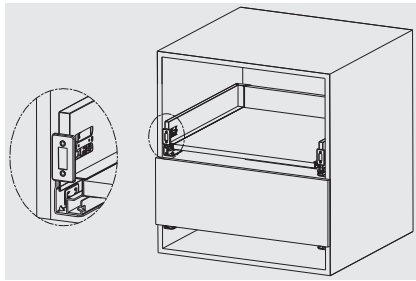
FITTINGS

SS1900-TD1

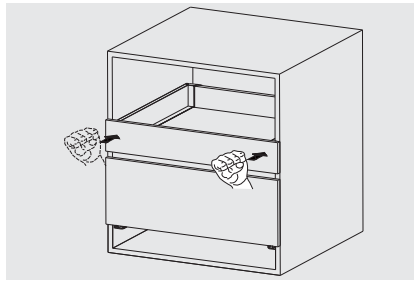
Marking Tool for front bracket fixing positions



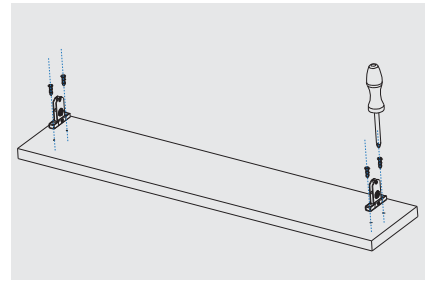
SB1801 A01/ SB1900-A01



Put the marking tool gauges into the R/L drawer sides.

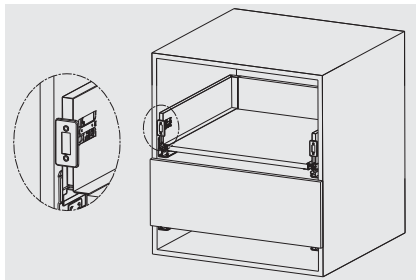


Line up the drawer front panel and mark positions to the right place with a light tap on both sides.

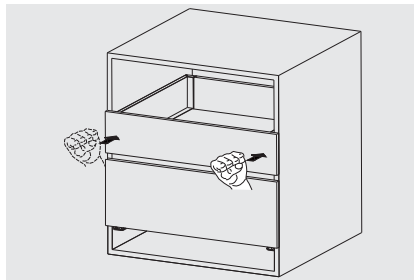


Fix front brackets with screws according to the marks.

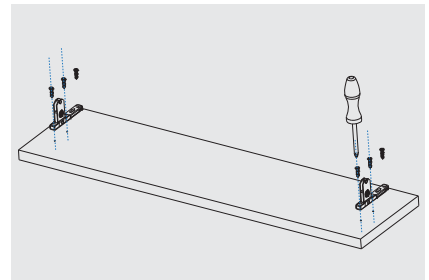
SB1900-B01



Put the marking tool gauges into the R/L drawer sides.

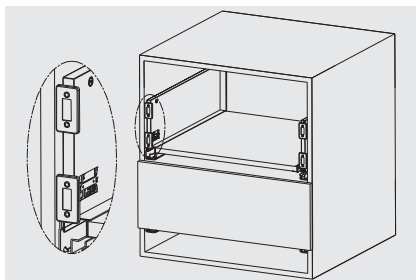


Line up the drawer front panel and mark positions to the right place with a light tap on both sides.

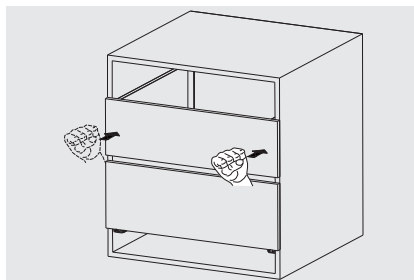


Fix front brackets with screws according to the marks.

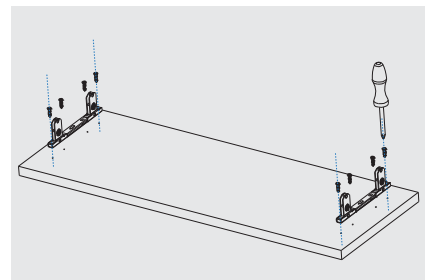
SB1900-C01/ SB1900-D01



Put the marking tool gauges into the R/L drawer sides.



Line up the drawer front panel and mark positions to the right place with a light tap on both sides.



Fix front brackets with screws according to the marks.

FITTINGS

SS1900-TE1

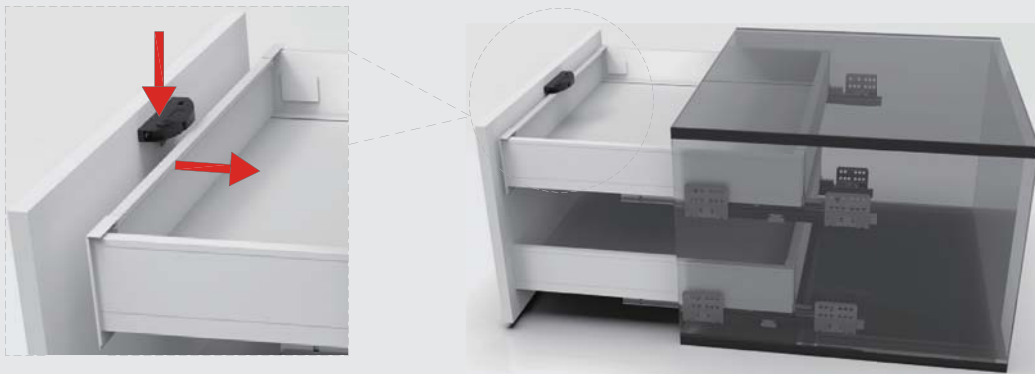
Inner drawer auxiliary fitting



The outer drawer and inner can be simultaneously opened or closed



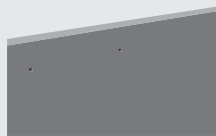
Press down the button so that the inner drawer can be released and move independently



1. DIY assembling before installation
(This step is necessarily)



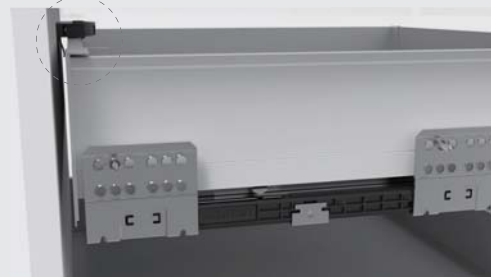
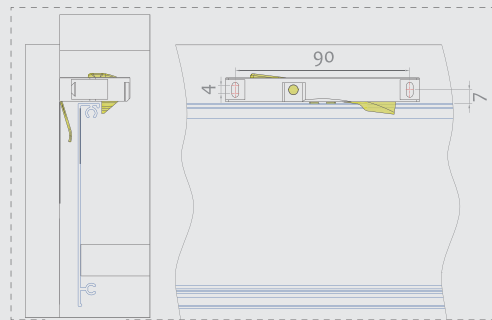
2. Drill 2 holes from the inner side of front panel (DO NOT drill through holes!)



3. Fix the auxiliary fitting with 2 pan head screws (M3.5) according to the marks



Installation dimensions of the auxiliary fitting



FITTINGS

SS1900-TP1

Drawer system stabilizer

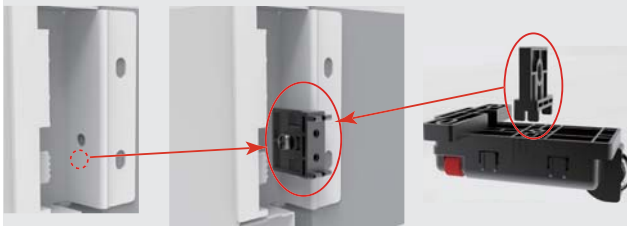
B

Fittings

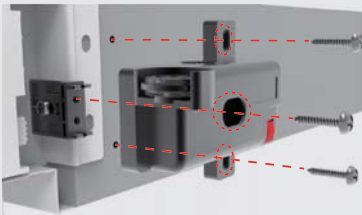


Installation on SB18/SB19 drawers

1. Remove the independent fitting from the back of stabilizer and fix it onto the drawer's back panel connector.



2. Fix the main body of the stabilizer onto the drawer's back panel using 3 screws (M3×20).

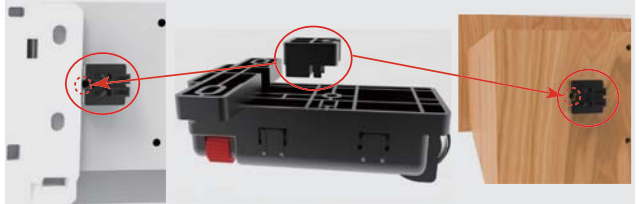


3. Installation position and back panel drilling dimensions are shown as follows.

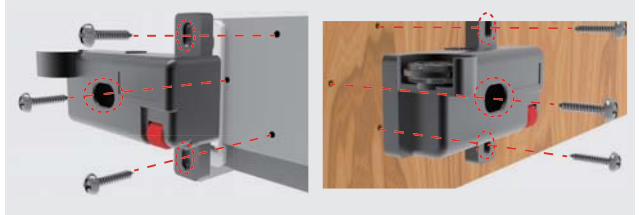


Installation on SB29 drawers and concealed slide drawers

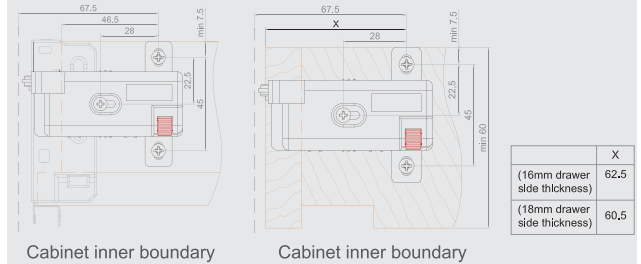
1. The fitting from the back of stabilizer (different from SB18/19) should align with the corresponding hole (marked in the image below) drilled on the back panel.



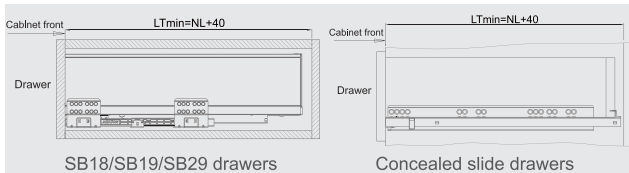
2. Fix the stabilizer onto the drawer's back panel using 3 screws (M3×20).



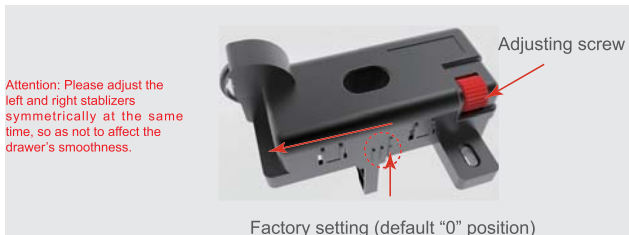
3. Installation position and back panel drilling dimensions are shown as follows.



Cabinet depth requirements



Adjusting method (Adjustment range: max 5mm)

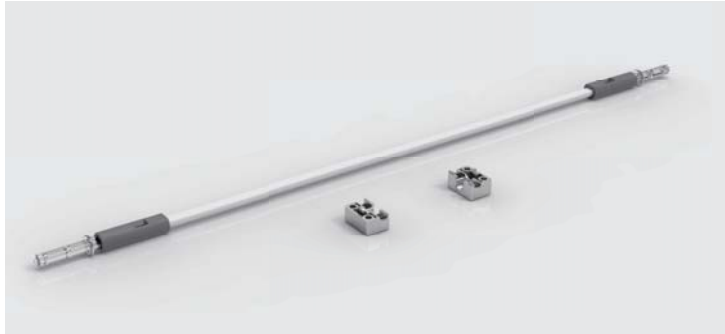


FITTINGS



SS1800-P21

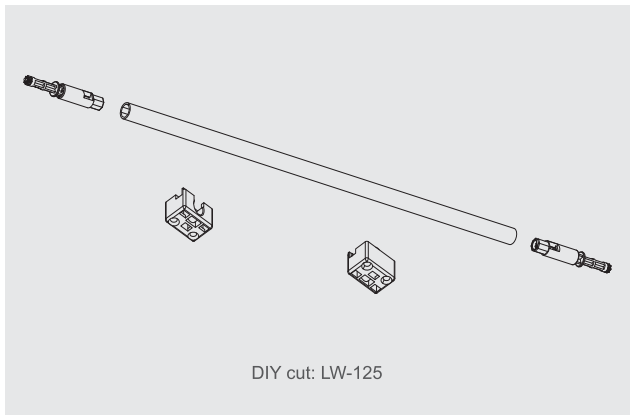
Synchronisation linkage



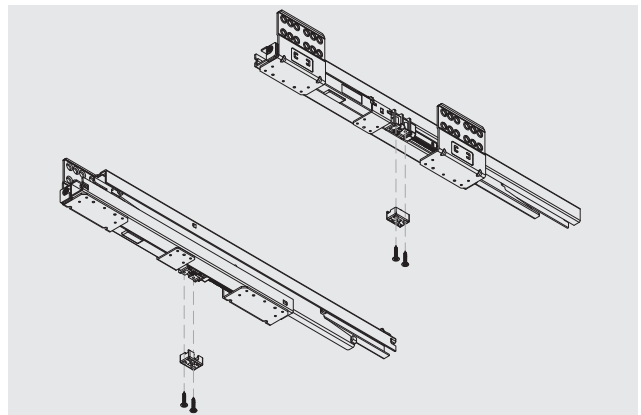
Material - aluminium + plastic
Color - White, Silver grey
Length - 120mm

B
Fittings

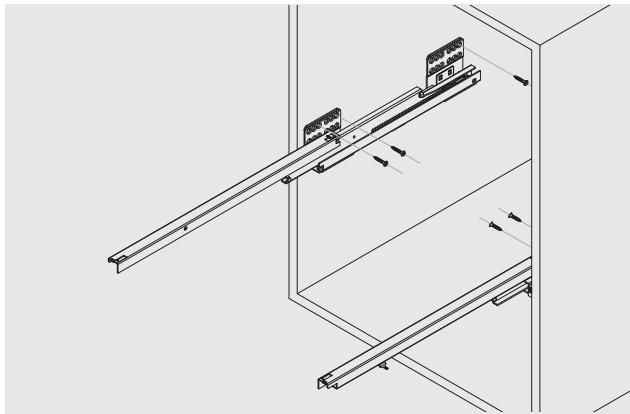
Drawer slides balance bar DIY cut



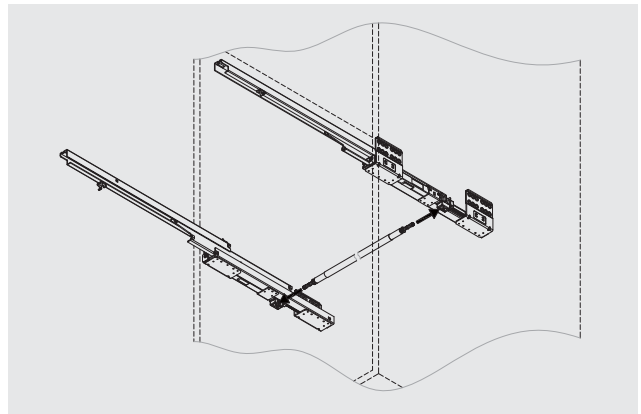
Slides installation



Slides installation

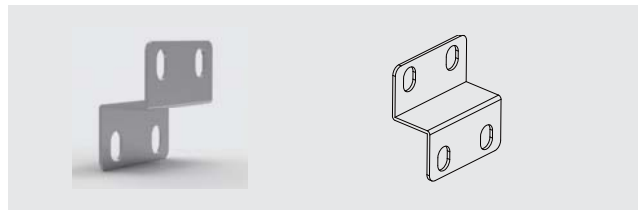


Balance bar installation



S22974

Reinforcement angle codes for the back and bottom plates



Can be used for SB29, SB39, and SB59 series horse riding drawbars for internal and external drawbars