

MEATON



Undermount Slide

M

UNDERMOUNT SLIDE

DY2201 & DY4201

2-Fold concealed soft-closing drawer slide(16/19mm with bolt locking)

C.6



DY2221 & DY4221

2-Fold concealed soft-closing drawer slide(16/19mm with bolt locking)

C.8



DY2331 & DY4331

2-Fold concealed soft-closing drawer slide(16/19mm with handle)

C.10



DY2341 & DY4341

2-Fold concealed soft-closing drawer slide(16/19mm with handle)

C.12



DY3201 & DH3201(Synchronized)

3-Fold concealed soft-closing drawer slide(16mm with bolt locking)

C.14



DY5201 & DH5201(Synchronized)

3-Fold concealed soft-closing drawer slide(19mm with bolt locking)

C.16



DY3221 & DH3221(Synchronized)

3-Fold concealed soft-closing drawer slide(16mm with bolt locking)

C.18



DY5221 & DH5221(Synchronized)

3-Fold concealed soft-closing drawer slide(19mm with bolt locking)

C.20



DY3331 & DH3331(Synchronized)

3-Fold concealed soft-closing drawer slide(16mm with handle)

C.22



C.2 - Undermount Slide

DY5331 & DH5331(Synchronized)

3-Fold concealed soft-closing drawer slide(19mm with handle)

C.24



DY3341 & DH3341(Synchronized)

3-Fold concealed soft-closing drawer slide(16mm with handle)

C.26



DY5341 & DH5341(Synchronized)

3-Fold concealed soft-closing drawer slide(19mm with handle)

C.28



DY3326

3-Fold concealed soft-closing drawer slide(16mm with handle) - American type

C.30



DY5326

3-Fold concealed soft-closing drawer slide(19mm with handle) - American type

C.32



DY6201

2-Fold light concealed soft-closing drawer slide(16mm with bolt locking)

C.34



DY6331

2-Fold light concealed soft-closing drawer slide(16mm with handle)

C.36



DY5320

Full extension soft-closing with handle

C.38



M

UNDERMOUNT SLIDE

DP2201 & DP4201

2-Fold concealed push-open drawer slide(16/19mm with bolt locking)

C.40



DP2221 & DP4221

2-Fold concealed push-open drawer slide(16/19mm with bolt locking)

C.42



DP2331 & DP4331

2-Fold concealed push-open drawer slide(16/19mm with handle)

C.44



DP2341 & DP4341

2-Fold concealed push-open drawer slide(16/19mm with handle)

C.46



DP3201 & DT3201(Synchronized)

3-Fold concealed push-open drawer slide(16mm with bolt locking)

C.48



DP5201 & DT5201(Synchronized)

3-Fold concealed push-open drawer slide(19mm with bolt locking)

C.50



DP3221 & DT3221(Synchronized)

3-Fold concealed push-open drawer slide(16mm with bolt locking)

C.52



DP5221 & DT5221(Synchronized)

3-Fold concealed push-open drawer slide(19mm with bolt locking)

C.54



DP3331 & DT3331(Synchronized)

3-Fold concealed push-open drawer slide(16mm with handle)

C.56



C.4 - Undermount Slide

DP5331 & DT5331(Synchronized)

3-Fold concealed push-open drawer slide(19mm with handle)

C.58



DP3341 & DT3341(Synchronized)

3-Fold concealed push-open drawer slide(16mm with handle)

C.60



DP5341 & DT5341(Synchronized)

3-Fold concealed push-open drawer slide(19mm with handle)

C.62



DP3326

3-Fold concealed push-open drawer slide(16mm with handle) - American type

C.64



DP5326

3-Fold concealed push-open drawer slide(16mm with handle) - American type

C.66



DP6201

2-Fold light concealed push-open drawer slide(16mm with bolt locking)

C.68



DP6331

2-Fold light concealed push-open drawer slide(16mm with handle)

C.70



DG3325 & DG5325

3-Fold soft-closing & push-open 2 in 1 undermount slide(16/18mm with handle)

C.72



SOFT - CLOSING

DY2201 & DY4201

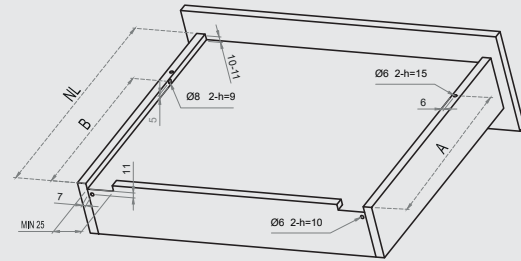
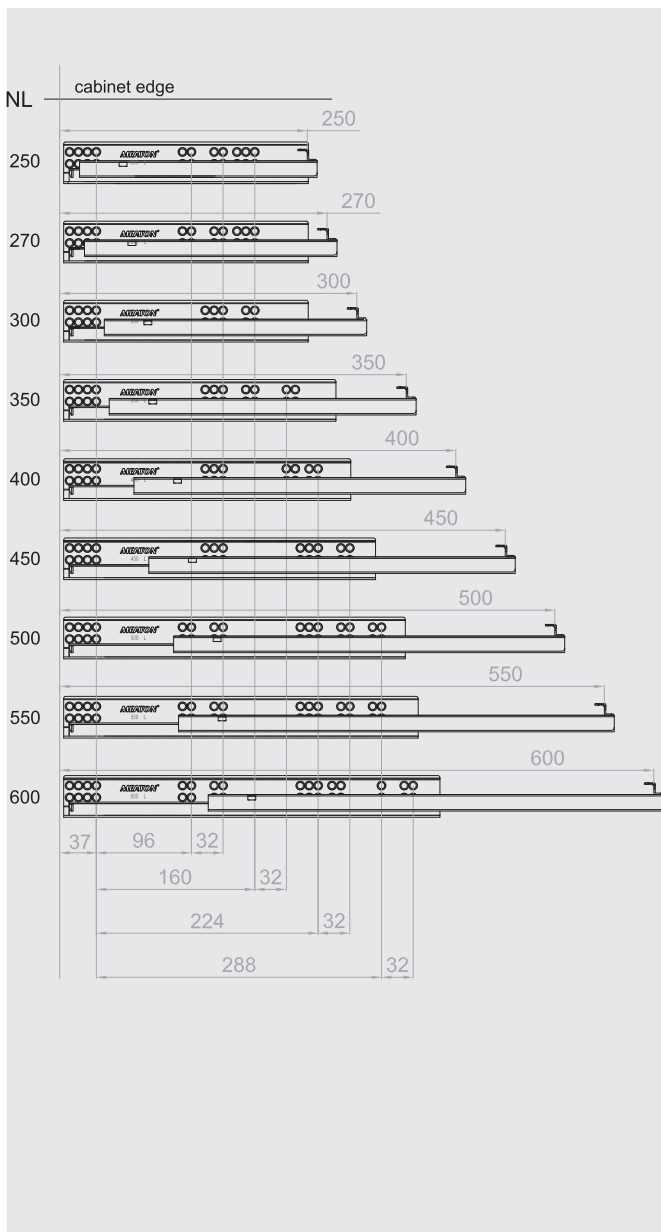
2-Fold concealed drawer slide(with bolt locking)



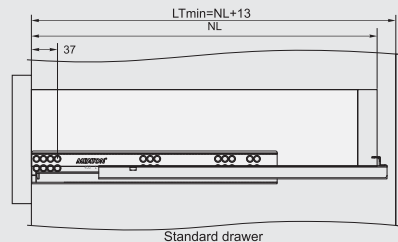
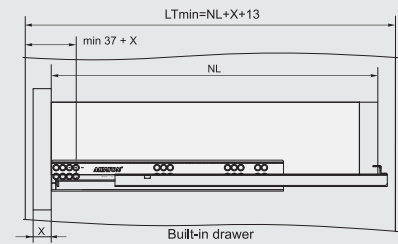
Technical specifications:

- Main material: galvanized sheet.
- Max loading capacity: 25kg.
- Life guarantee: 80,000 cycles.
- Thickness of board: DY2201: ≤16mm
DY4201: ≤19mm
- Adjustable opening and closing strength: +25%

Installation dimensions

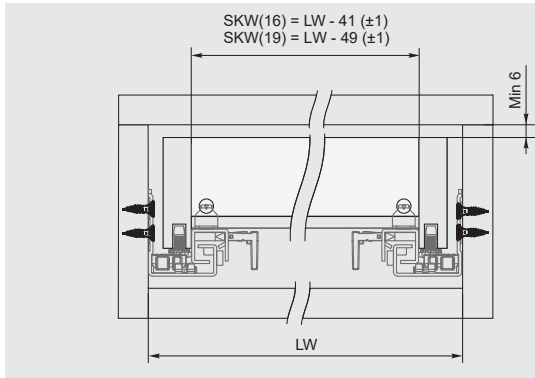


| NL | 250 | 270 | 300 | 350 | 400 | 450 | 500 | 550 | 600 |
|----|-----|-----|-----|-----|-----|-----|-----|-----|-----|
| A | 206 | 221 | 231 | 276 | 301 | 336 | 361 | 406 | 426 |
| B | 186 | 201 | 211 | 256 | 281 | 316 | 341 | 386 | 406 |

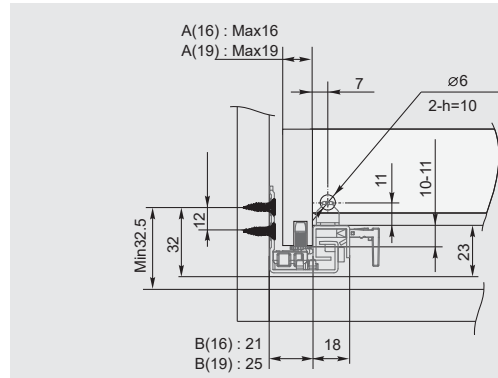


LT - Cabinet inner depth
NL - Nominal slide length
X - Board thickness

2-Fold concealed **soft-closing** drawer slide(with bolt locking)



LW - Cabinet inner width
SKW(16) - Drawer inner width(≤16mm drawer side thickness)
SKW(19) - Drawer inner width(≤19mm drawer side thickness)

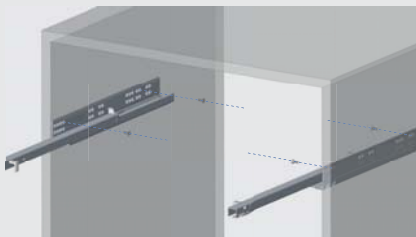


A(16) Be used for slide rails with a drawer side thickness no thinner than 16mm.
A(19) thickness no thinner than 19mm.

B(16) Be used for slide rails with a drawer side thickness no thinner than 16mm.
B(19) thickness no thinner than 19mm.

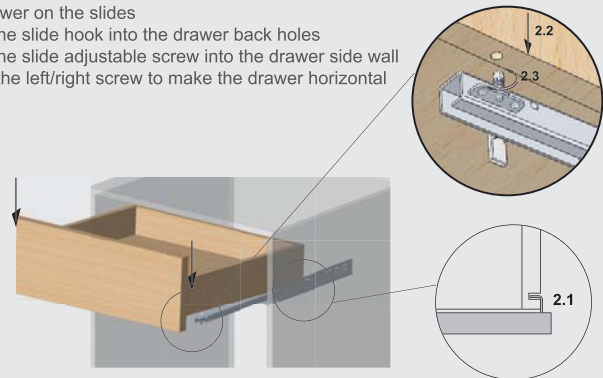
Installation

1. Install the slides on the cabinet



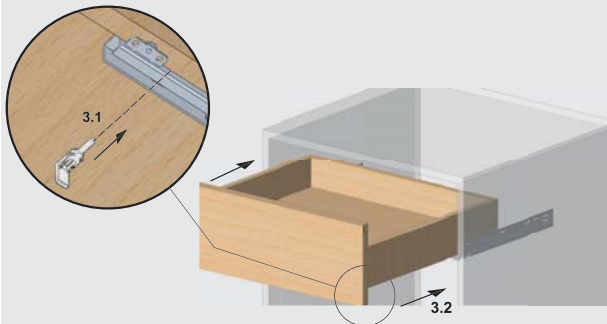
2. Set the drawer on the slides

- 2.1 Insert the slide hook into the drawer back holes
- 2.2 Insert the slide adjustable screw into the drawer side wall
- 2.3 Adjust the left/right screw to make the drawer horizontal



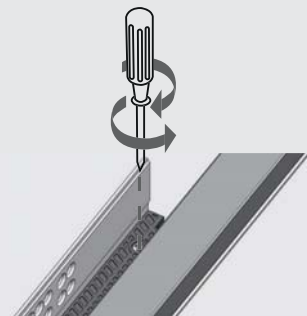
3. Fix the drawer and slides

- 3.1 insert the left/right plastic pins into the pre-drilled holes on the drawer side walls
- 3.2 Close the drawer



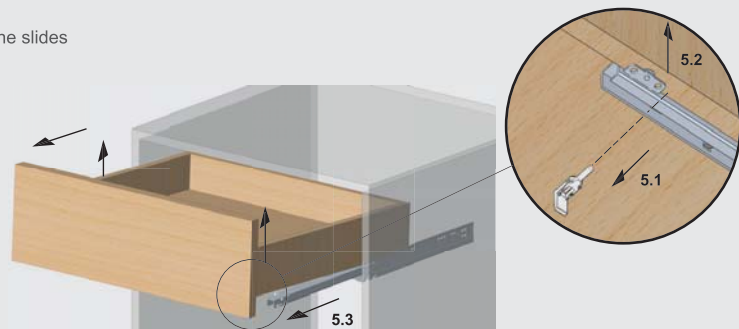
4. Adjustable opening and closing mechanism:

When the drawer takes more than 20kg, adjust the eccentric screw on the damper, max 25% more strength will be applied, so that make the movement smooth.



5. Disassembly of the drawer

- 5.1 Take out the plastic pin to separate the drawer from the slides
- 5.2 Take up the drawer
- 5.3 Draw out the drawer



SOFT - CLOSING

DY2221 & DY4221

2-Fold concealed drawer slide(with bolt locking)

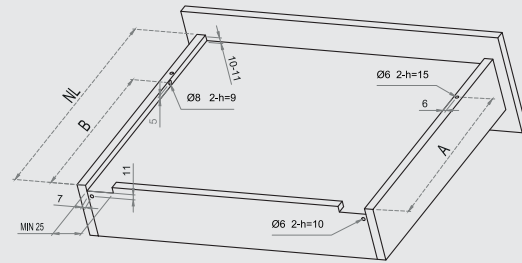
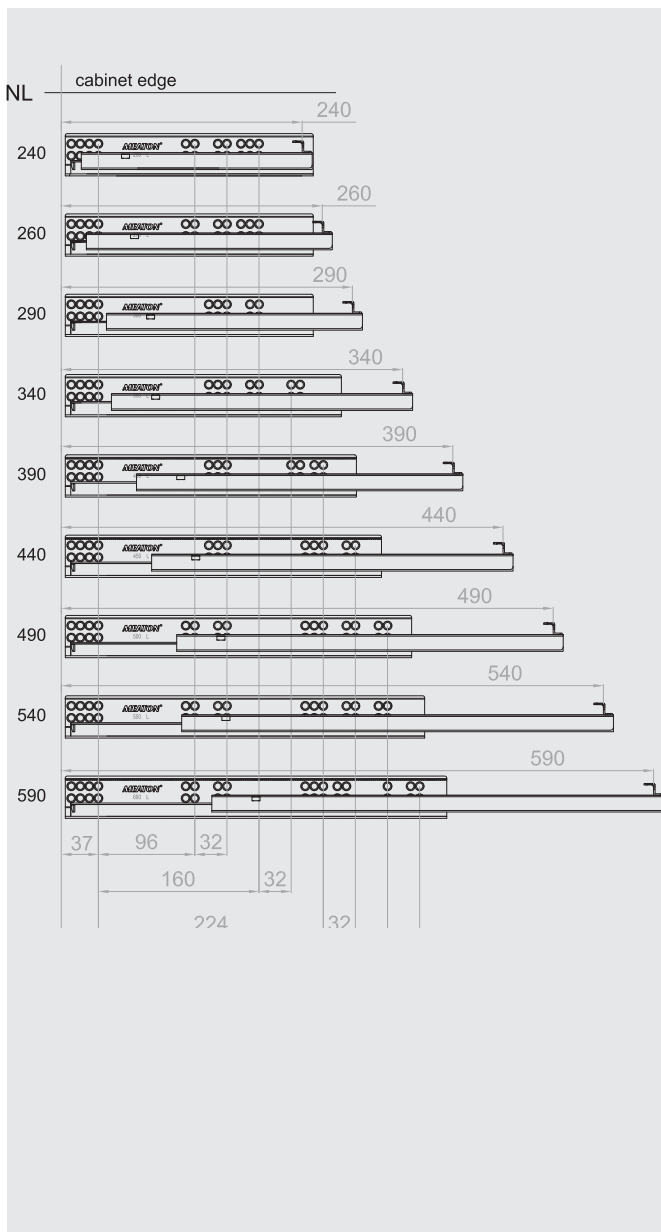


Technical specifications:

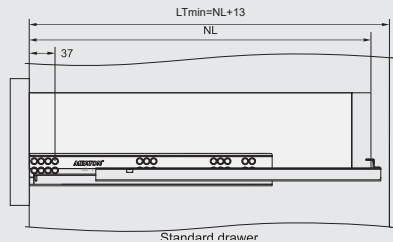
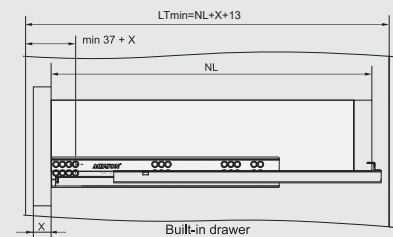
- Main material: galvanized sheet.
- Max loading capacity: 25kg.
- Life guarantee: 80,000 cycles.
- Thickness of board: DY2221: ≤16mm
DY4221: ≤19mm
- Adjustable opening and closing strength: +25%

Undermount Slide

Installation dimensions

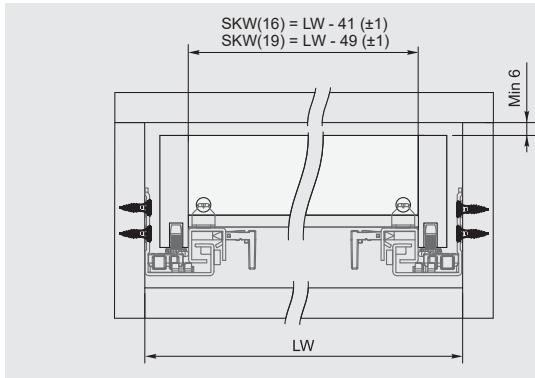


| | | | | | | | | | |
|----|-----|-----|-----|-----|-----|-----|-----|-----|-----|
| NL | 240 | 260 | 290 | 340 | 390 | 440 | 490 | 540 | 590 |
| A | 220 | 230 | 245 | 270 | 305 | 330 | 355 | 390 | 415 |
| B | 188 | 198 | 213 | 238 | 273 | 298 | 323 | 358 | 383 |

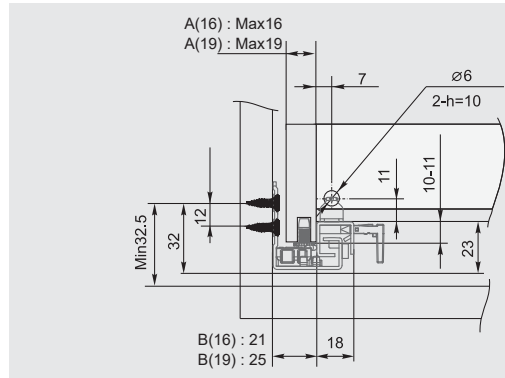


LT - Cabinet inner depth
NL - Nominal slide length
X - Board thickness

2-Fold concealed soft-closing drawer slide(with bolt locking)



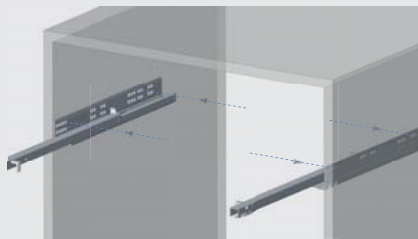
LW - Cabinet inner width
 SKW(16) - Drawer inner width(≤16mm drawer side thickness)
 SKW(19) - Drawer inner width(≤19mm drawer side thickness)



A(16) Be used for slide rails with a drawer side
 A(19) thickness no thinner than 16mm.
 B(16) Be used for slide rails with a drawer side
 B(19) thickness no thinner than 19mm.

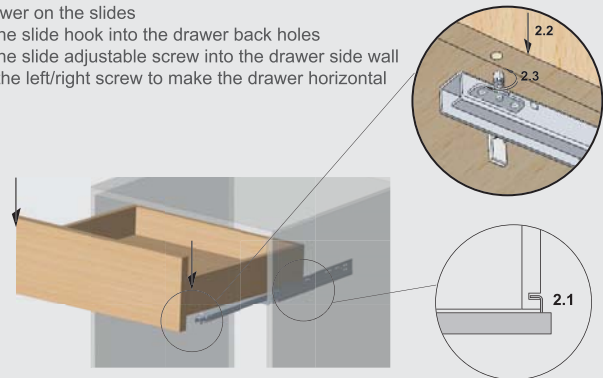
Installation

1. Install the slides on the cabinet



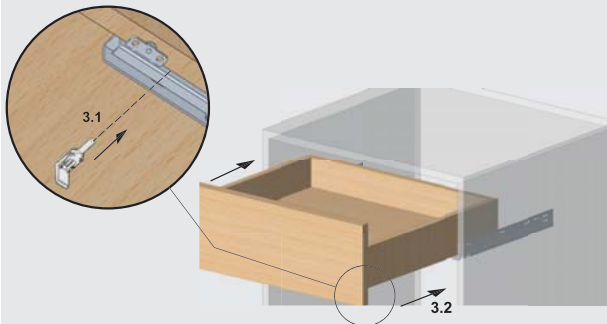
2. Set the drawer on the slides

- 2.1 Insert the slide hook into the drawer back holes
- 2.2 Insert the slide adjustable screw into the drawer side wall
- 2.3 Adjust the left/right screw to make the drawer horizontal



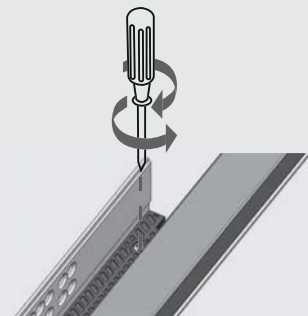
3. Fix the drawer and slides

- 3.1 insert the left/right plastic pins into the pre-drilled holes on the drawer side walls
- 3.2 Close the drawer



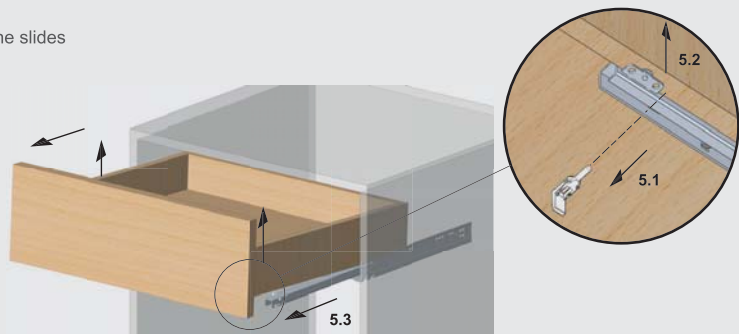
4. Adjustable opening and closing mechanism:

When the drawer takes more than 20kg, adjust the eccentric screw on the damper, max 25% more strength will be applied, so that make the movement smooth.



5. Disassembly of the drawer

- 5.1 Take out the plastic pin to separate the drawer from the slides
- 5.2 Take up the drawer
- 5.3 Draw out the drawer



SOFT - CLOSING

DY2331 & DY4331

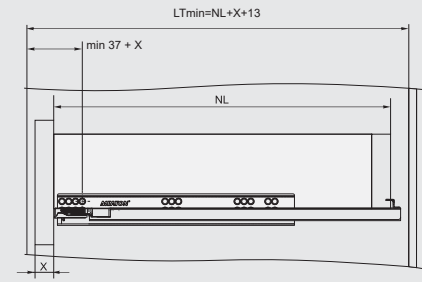
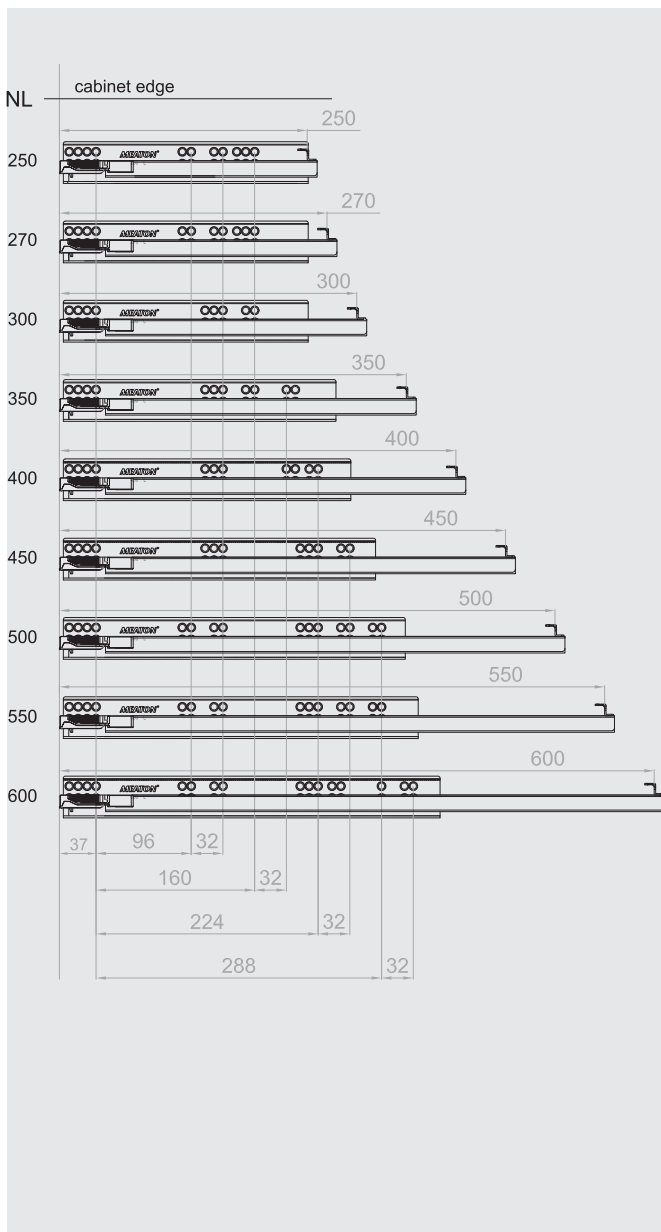
2-Fold concealed drawer slide(with handle)



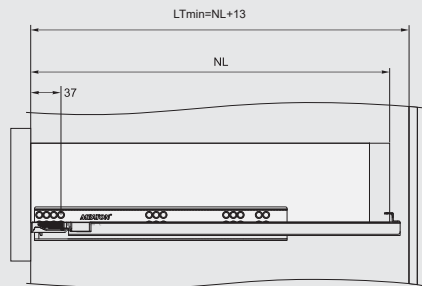
Technical specifications:

- Main material: galvanized sheet.
- Max loading capacity: 25kg.
- Life guarantee: 80,000 cycles.
- Thickness of board: DY2331: ≤16mm
DY4331: ≤19mm
- Adjustable opening and closing strength: +25%

Installation dimensions



Built-in drawer

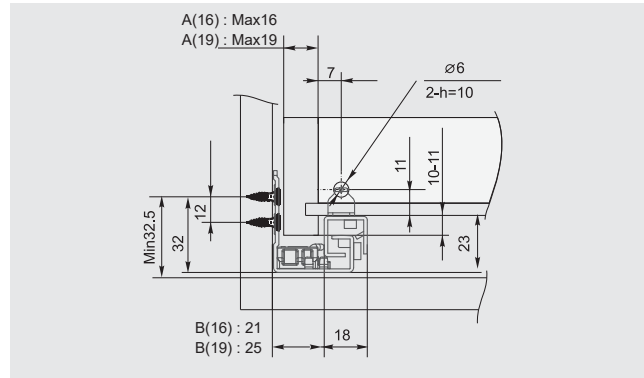
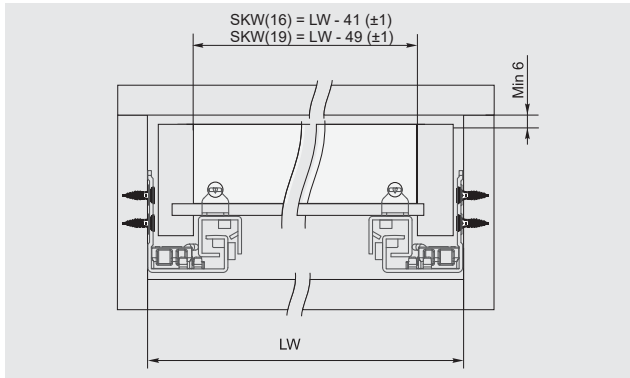


Standard drawer

LT - Cabinet inner depth
NL - Nominal slide length
X - Board thickness

Undermount Slide

2-Fold concealed **soft-closing** drawer slide(with handle)

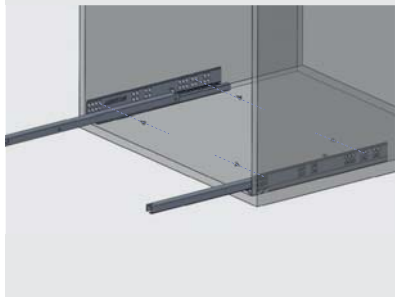


LW - Cabinet inner width
 SKW(16) - Drawer inner width(≤16mm drawer side thickness)
 SKW(19) - Drawer inner width(≤19mm drawer side thickness)

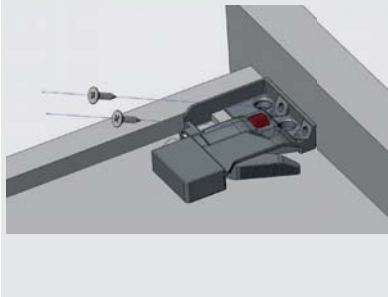
A(16) Be used for slide rails with a drawer side
 A(19) thickness no thinner than 16mm.
 B(16) Be used for slide rails with a drawer side
 B(19) thickness no thinner than 19mm.

Installation

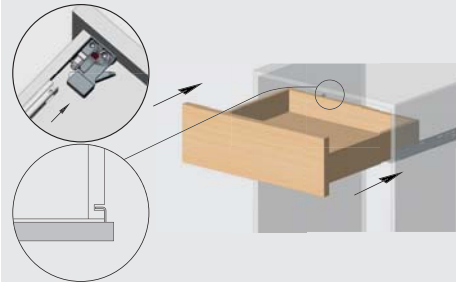
1. Install the slides on the cabinet



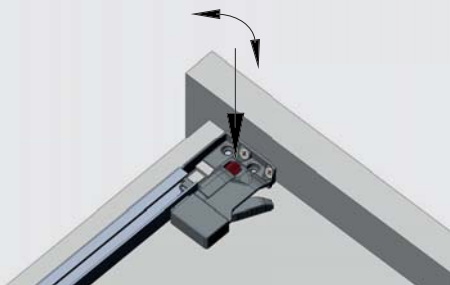
2. Install left/ right handle in the front of the drawer



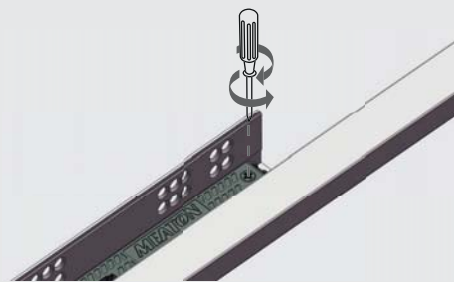
3. Install the drawer on the slides, slide hooks insert into the pre-drilled holes on the drawer back panel



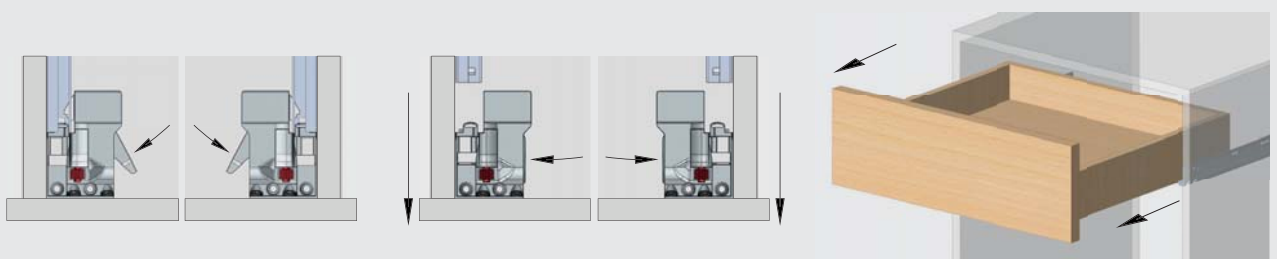
4. Adjust the front panel with plastic wheel on the handle, 0-2.5mm



5. Adjustable opening and closing mechanism:
 When the drawer takes more than 20kg, adjust the eccentric screw on the damper, max 25% more strength will be applied, so that make the movement smooth.



6. Push the handle lever to unlock the drawer, then pull out the drawer



C

Undermount Slide

SOFT - CLOSING

DY2341 & DY4341

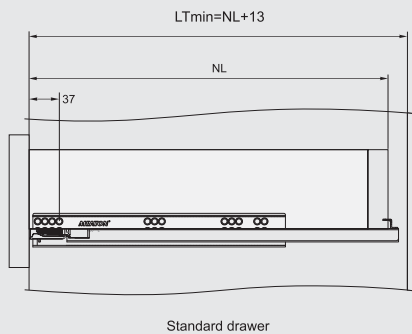
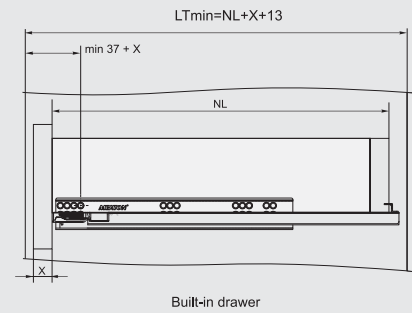
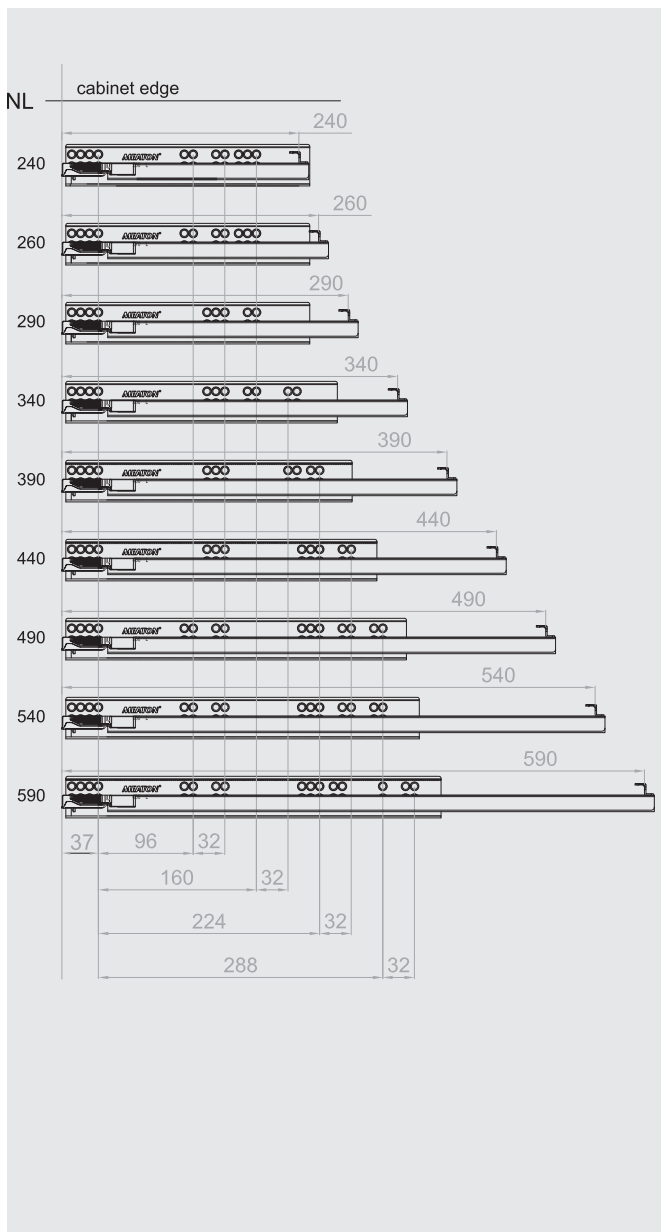
2-Fold concealed drawer slide(with handle)



Technical specifications:

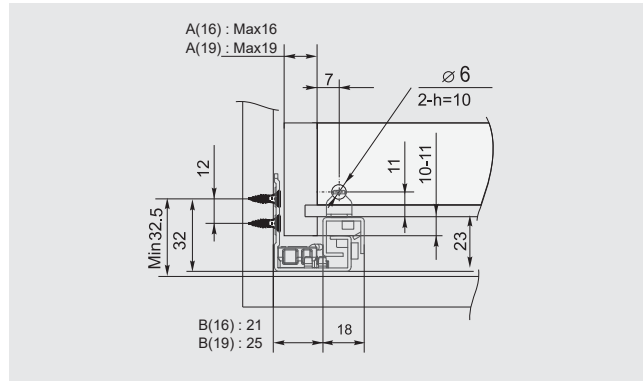
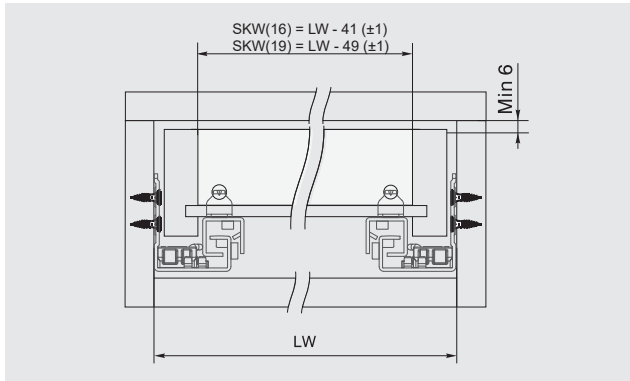
- Main material: galvanized sheet.
- Max loading capacity: 25kg.
- Life guarantee: 80,000 cycles.
- Thickness of board: DY2341: ≤16mm
DY4341: ≤19mm
- Adjustable opening and closing strength: +25%

Installation dimensions



LT - Cabinet inner depth
NL - Nominal slide length
X - Board thickness

2-Fold concealed soft-closing drawer slide(with handle)

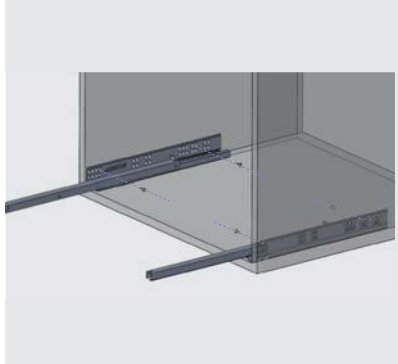


LW - Cabinet inner width
 SKW(16) - Drawer inner width(≤16mm drawer side thickness)
 SKW(19) - Drawer inner width(≤19mm drawer side thickness)

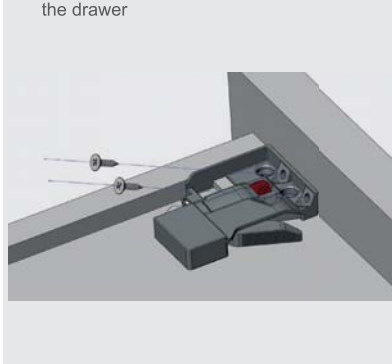
A(16) Be used for slide rails with a drawer side thickness no thinner than 16mm.
 A(19) thickness no thinner than 19mm.
 B(16) Be used for slide rails with a drawer side thickness no thinner than 16mm.
 B(19) thickness no thinner than 19mm.

Installation

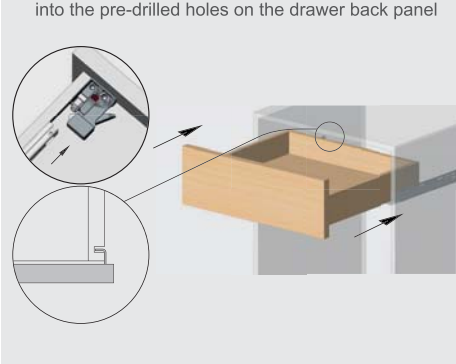
1. Install the slides on the cabinet



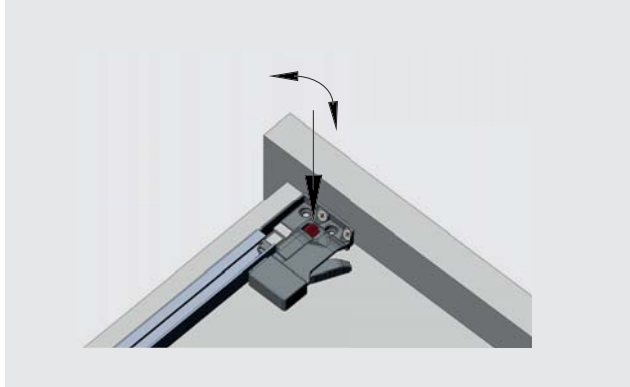
2. Install left/ right handle in the front of the drawer



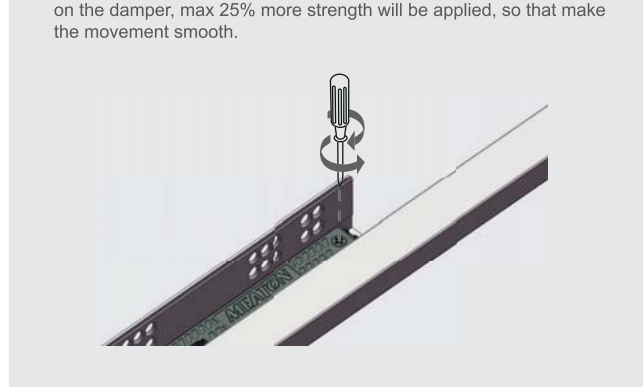
3. Install the drawer on the slides, slide hooks insert into the pre-drilled holes on the drawer back panel



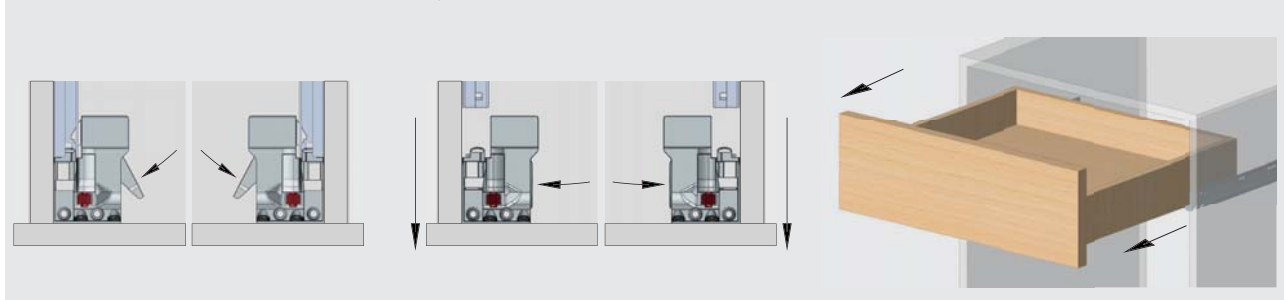
4. Adjust the front panel with plastic wheel on the handle, 0-2.5mm



5. Adjustable opening and closing mechanism:
 When the drawer takes more than 20kg, adjust the eccentric screw on the damper, max 25% more strength will be applied, so that make the movement smooth.



6. Push the handle lever to unlock the drawer, then pull out the drawer



SOFT - CLOSING

DY3201 & DH3201(Synchronized)

3-Fold concealed drawer slide(16mm with bolt locking)

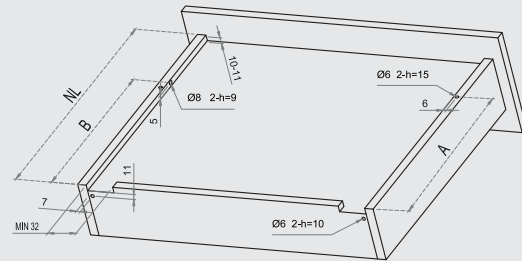
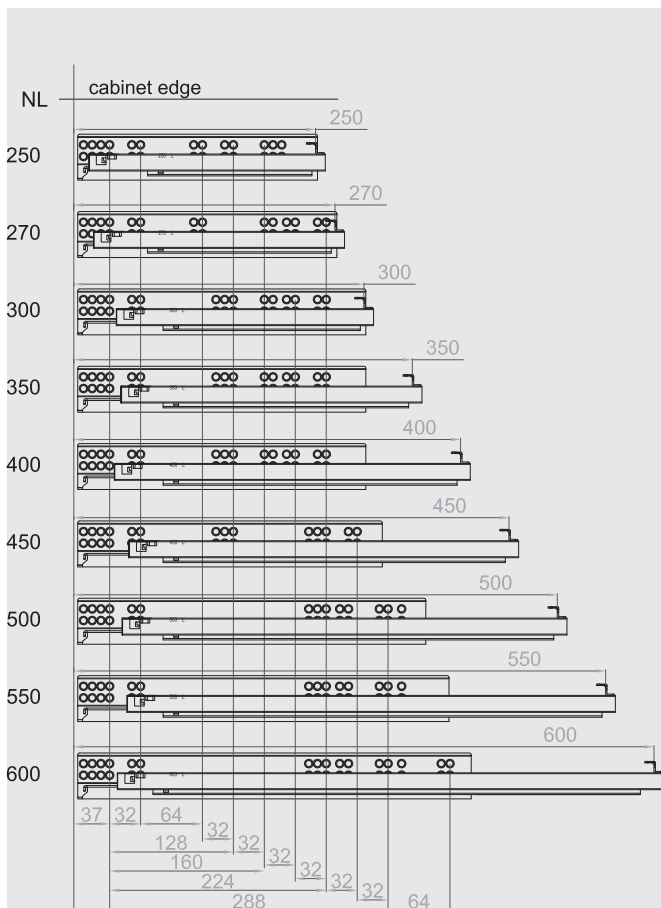


Technical specifications:

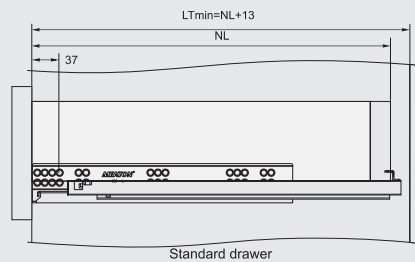
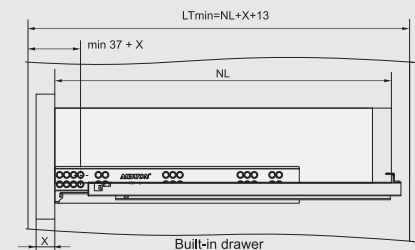
- Main material: galvanized sheet.
- Max loading capacity: 30kg.
- Life guarantee:50,000 cycles.
- Thickness of board: ≤16mm.
- Adjustable opening and closing strength: +25%

Undermount Slide

Installation dimensions

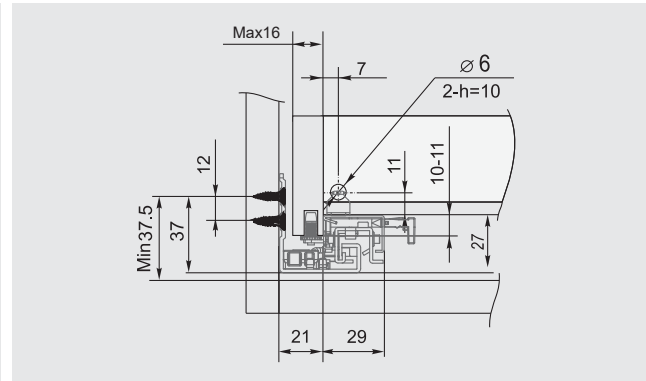
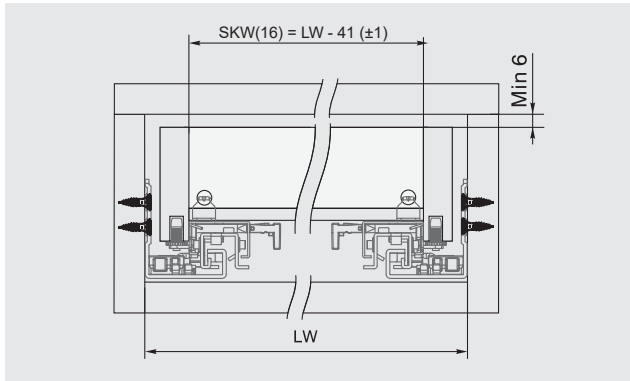


| NL | 250 | 270 | 300 | 350 | 400 | 450 | 500 | 550 | 600 |
|----|-------|-------|-----|-----|-----|-----|-----|-----|-----|
| A | 206 | 221 | 231 | 276 | 301 | 336 | 361 | 406 | 456 |
| B | 220.5 | 235.5 | 242 | 287 | 344 | 379 | 436 | 481 | 531 |



LT - Cabinet inner depth
 NL - Nominal slide length
 X - Board thickness

3-Fold concealed soft-closing drawer slide(16mm with bolt locking)

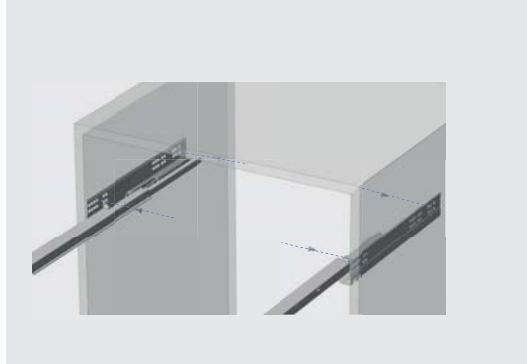


LW - Cabinet inner width
SKW(16) - Drawer inner width(≤16mm drawer side thickness)

C
Undermount Slide

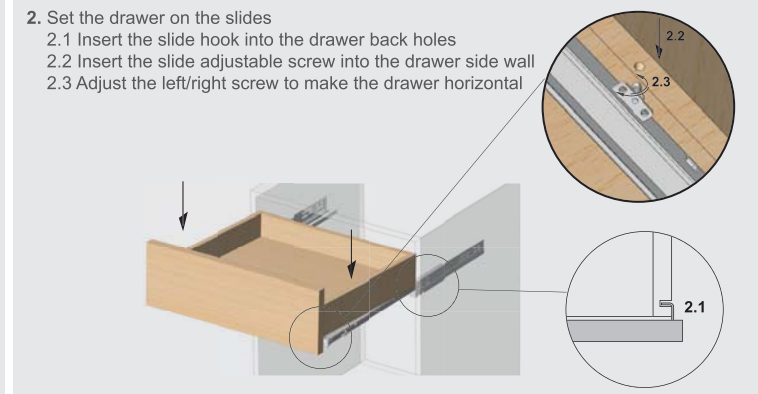
Installation

1. Install the slides on the cabinet



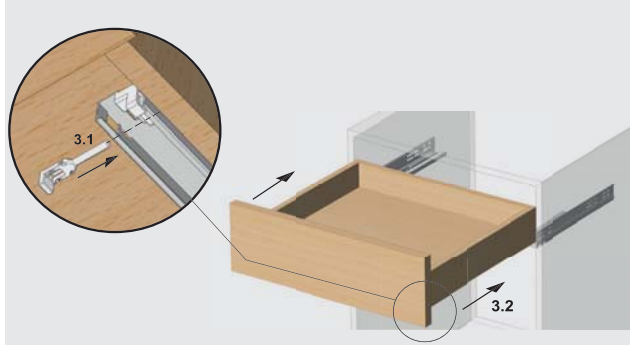
2. Set the drawer on the slides

- 2.1 Insert the slide hook into the drawer back holes
- 2.2 Insert the slide adjustable screw into the drawer side wall
- 2.3 Adjust the left/right screw to make the drawer horizontal



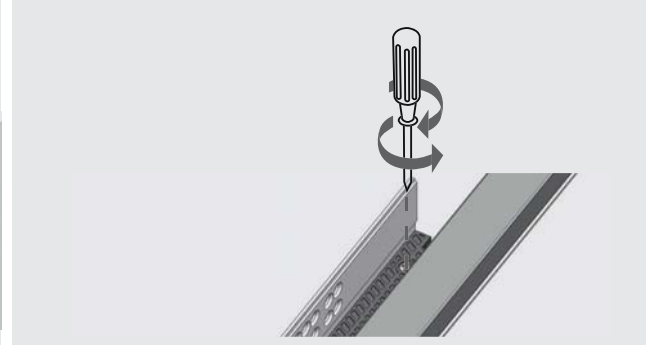
3. Fix the drawer and slides

- 3.1 insert the left/right plastic pins into the pre-drilled holes on the drawer side walls
- 3.2 Close the drawer



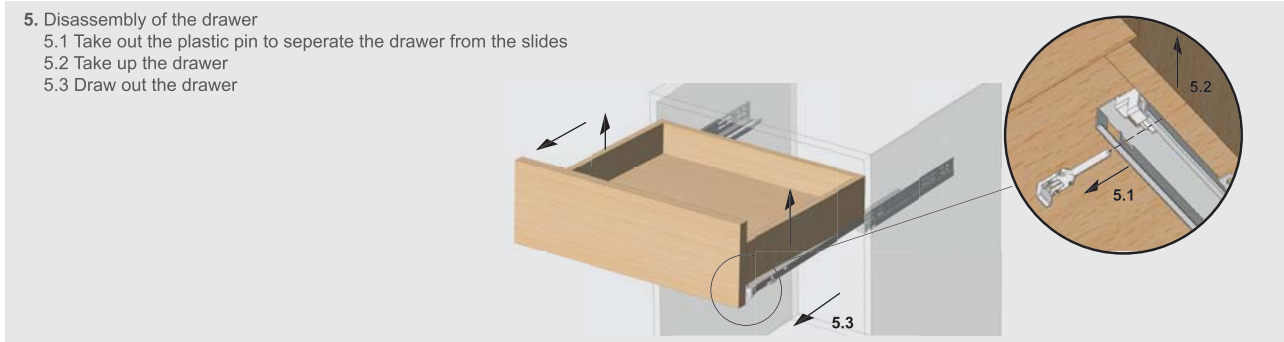
4. Adjustable opening and closing mechanism:

When the drawer takes more than 25kg, adjust the eccentric screw on the damper, max 25% more strength will be applied, so that make the movement smooth.



5. Disassembly of the drawer

- 5.1 Take out the plastic pin to separate the drawer from the slides
- 5.2 Take up the drawer
- 5.3 Draw out the drawer



SOFT - CLOSING

DY5201 & DH5201(Synchronized)

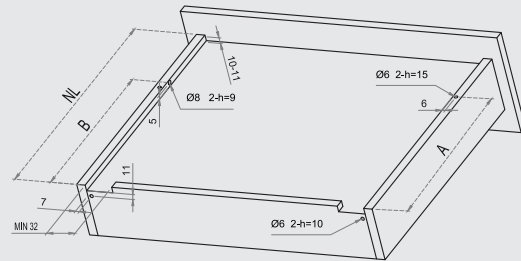
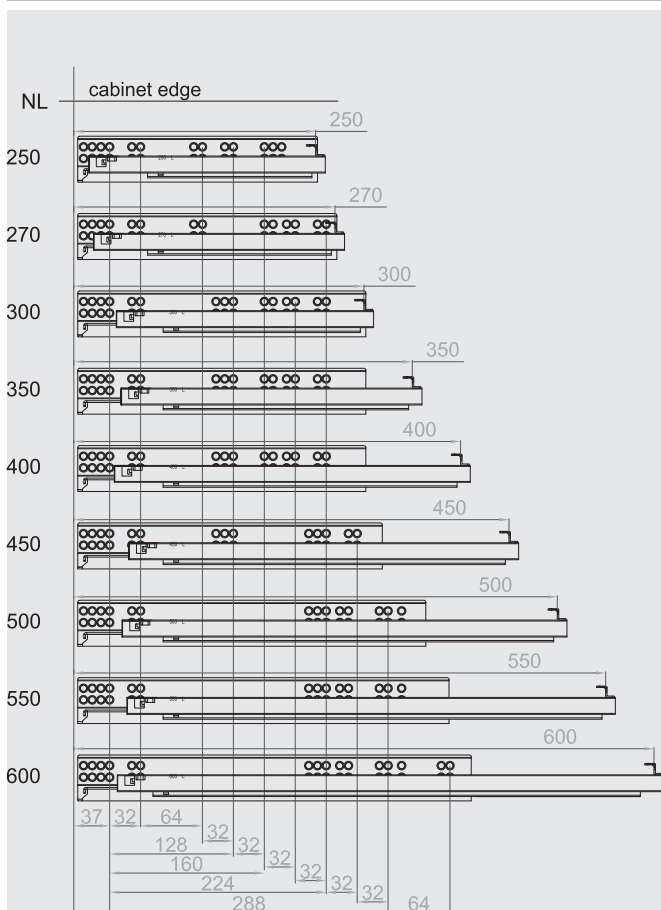
3-Fold concealed drawer slide(19mm with bolt locking)



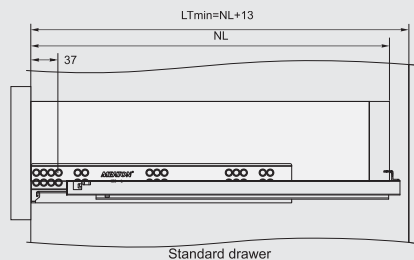
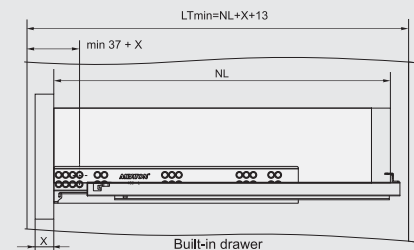
Technical specifications:

- Main material: galvanized sheet.
- Max loading capacity: 30kg.
- Life guarantee:50,000 cycles.
- Thickness of board: ≤19mm.
- Adjustable opening and closing strength: +25%

Installation dimensions

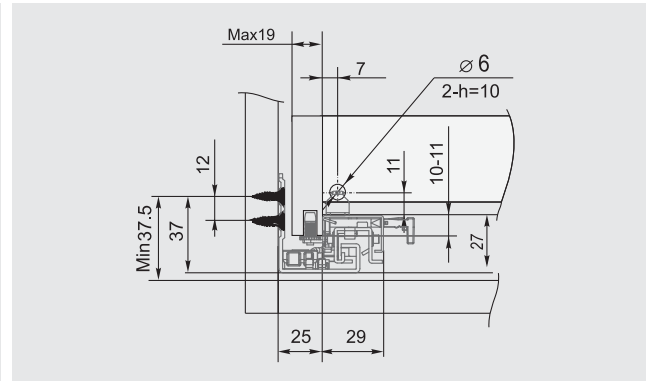
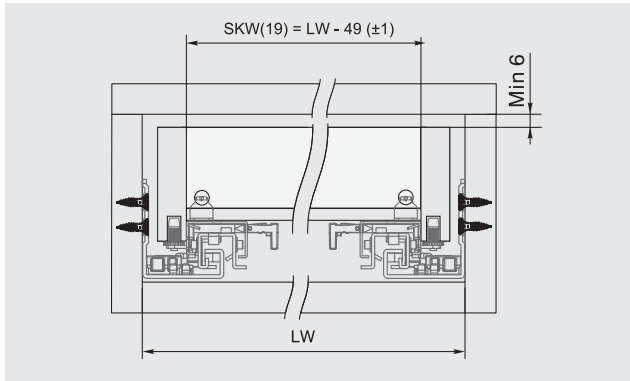


| NL | 250 | 270 | 300 | 350 | 400 | 450 | 500 | 550 | 600 |
|----|-------|-------|-----|-----|-----|-----|-----|-----|-----|
| A | 206 | 221 | 231 | 276 | 301 | 336 | 361 | 406 | 456 |
| B | 220.5 | 235.5 | 242 | 287 | 344 | 379 | 436 | 481 | 531 |



LT - Cabinet inner depth
 NL - Nominal slide length
 X - Board thickness

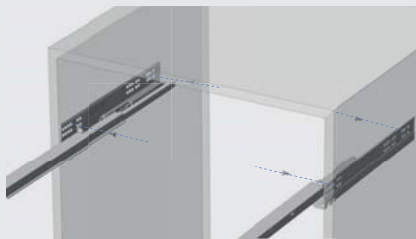
3-Fold concealed soft-closing drawer slide(19mm with bolt locking)



LW - Cabinet inner width
SKW(19) - Drawer inner width(≤19mm drawer side thickness)

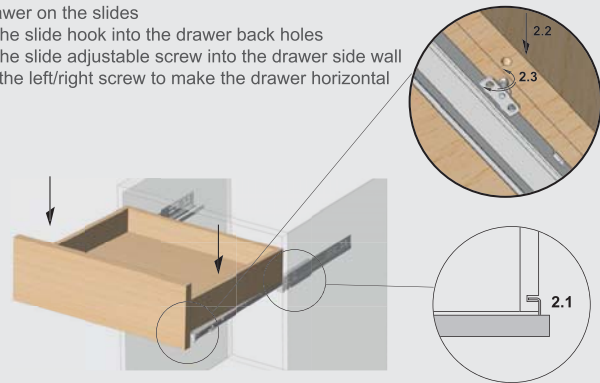
Installation

1. Install the slides on the cabinet



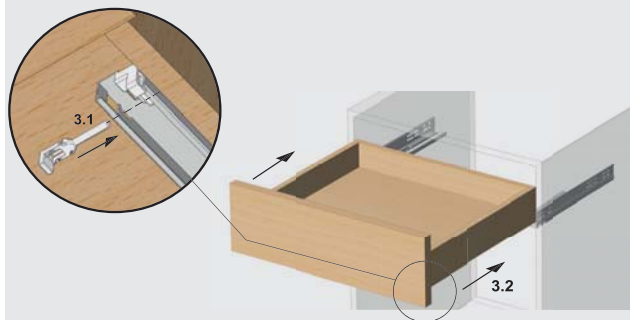
2. Set the drawer on the slides

- 2.1 Insert the slide hook into the drawer back holes
- 2.2 Insert the slide adjustable screw into the drawer side wall
- 2.3 Adjust the left/right screw to make the drawer horizontal



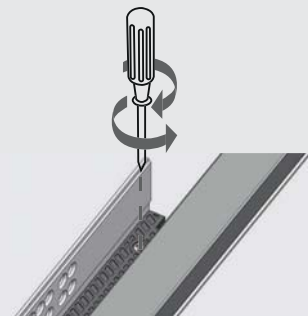
3. Fix the drawer and slides

- 3.1 insert the left/right plastic pins into the pre-drilled holes on the drawer side walls
- 3.2 Close the drawer



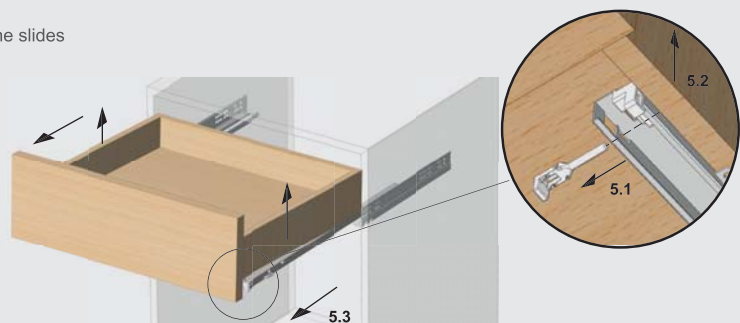
4. Adjustable opening and closing mechanism:

When the drawer takes more than 25kg, adjust the eccentric screw on the damper, max 25% more strength will be applied, so that make the movement smooth.



5. Disassembly of the drawer

- 5.1 Take out the plastic pin to separate the drawer from the slides
- 5.2 Take up the drawer
- 5.3 Draw out the drawer



SOFT - CLOSING

DY3221 & DH3221(Synchronized)

3-Fold concealed drawer slide(16mm with bolt locking)

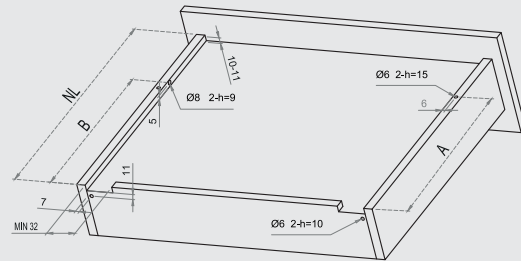
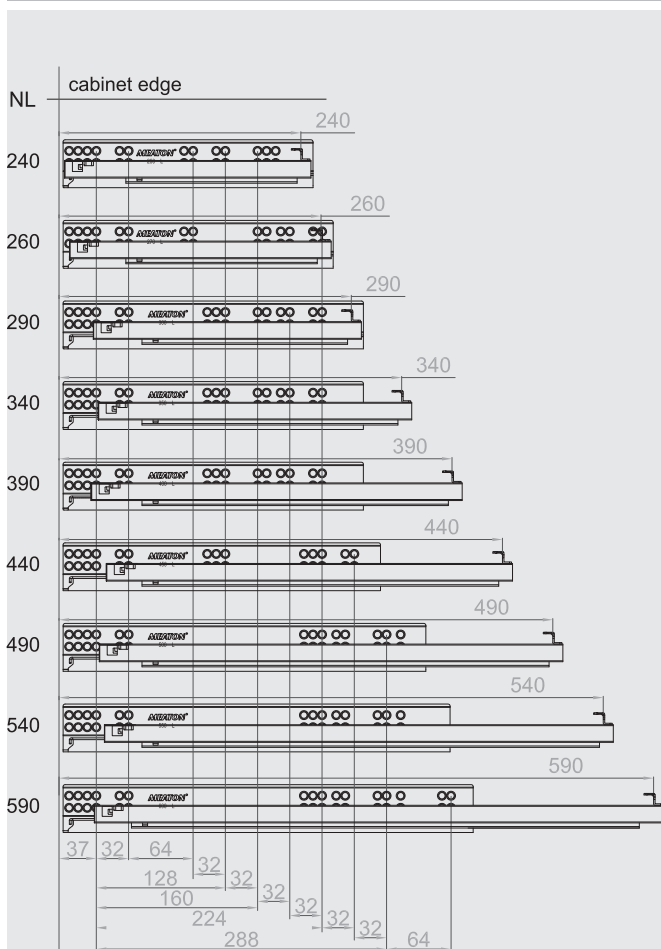


Technical specifications:

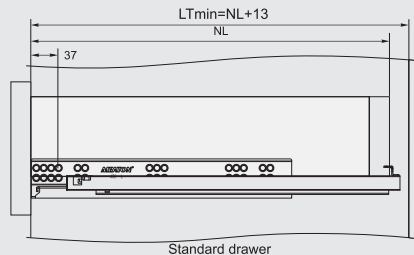
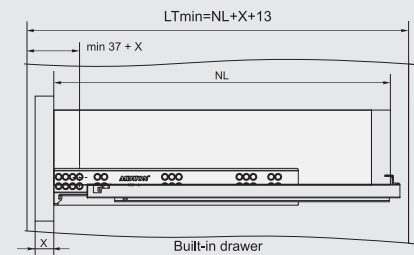
- Main material: galvanized sheet.
- Max loading capacity: 30kg.
- Life guarantee:50,000 cycles.
- Thickness of board: ≤16mm.
- Adjustable opening and closing strength: +25%

Undermount Slide

Installation dimensions

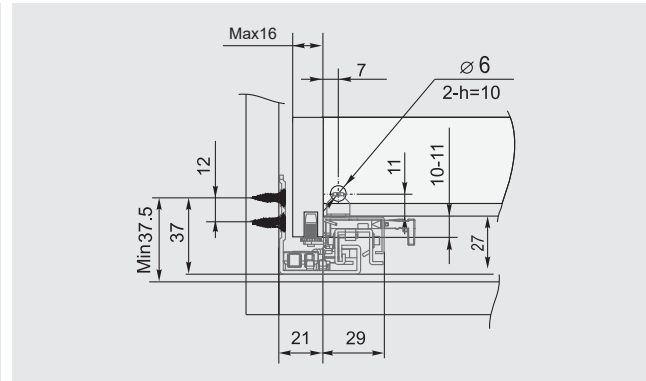
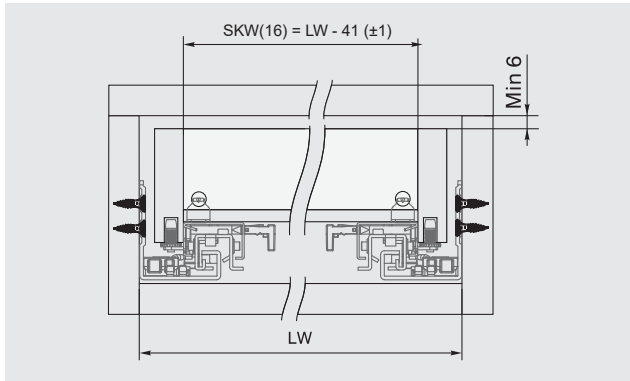


| NL | 240 | 260 | 290 | 340 | 390 | 440 | 490 | 540 | 590 |
|----|-------|-------|-------|-------|-------|-------|-------|-------|-------|
| A | 190 | 205 | 245 | 270 | 305 | 330 | 355 | 390 | 415 |
| B | 200.5 | 215.5 | 255.5 | 280.5 | 319.5 | 369.5 | 419.5 | 469.5 | 519.5 |



LT - Cabinet inner depth
 NL - Nominal slide length
 X - Board thickness

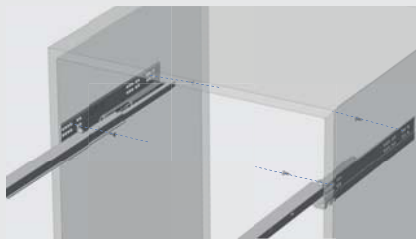
3-Fold concealed soft-closing drawer slide(16mm with bolt locking)



LW - Cabinet inner width
SKW(16) - Drawer inner width(≤16mm drawer side thickness)

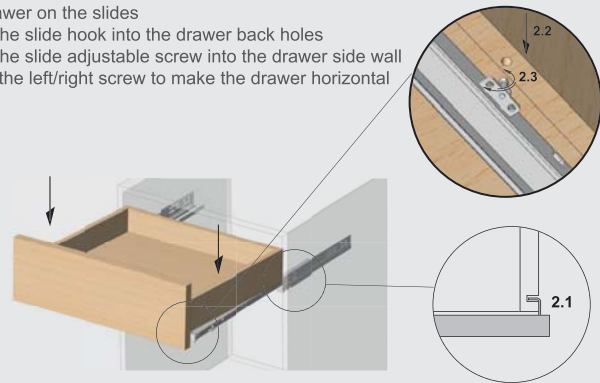
Installation

1. Install the slides on the cabinet



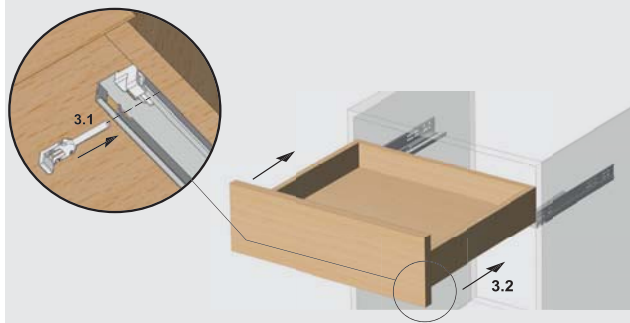
2. Set the drawer on the slides

- 2.1 Insert the slide hook into the drawer back holes
- 2.2 Insert the slide adjustable screw into the drawer side wall
- 2.3 Adjust the left/right screw to make the drawer horizontal



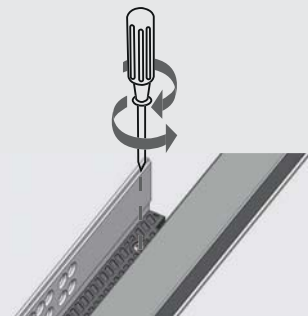
3. Fix the drawer and slides

- 3.1 insert the left/right plastic pins into the pre-drilled holes on the drawer side walls
- 3.2 Close the drawer



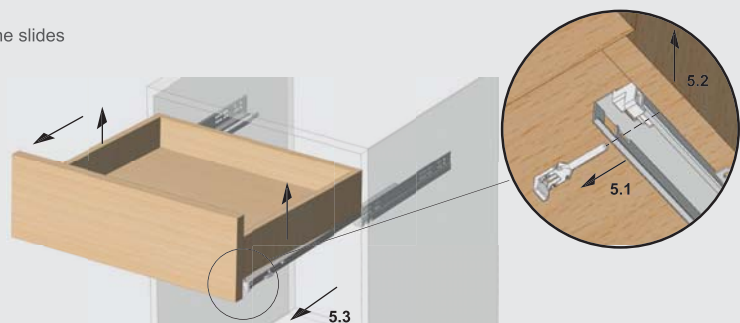
4. Adjustable opening and closing mechanism:

When the drawer takes more than 25kg, adjust the eccentric screw on the damper, max 25% more strength will be applied, so that make the movement smooth.



5. Disassembly of the drawer

- 5.1 Take out the plastic pin to separate the drawer from the slides
- 5.2 Take up the drawer
- 5.3 Draw out the drawer



SOFT - CLOSING

DY5221 & DH5221(Synchronized)

3-Fold concealed drawer slide(19mm with bolt locking)

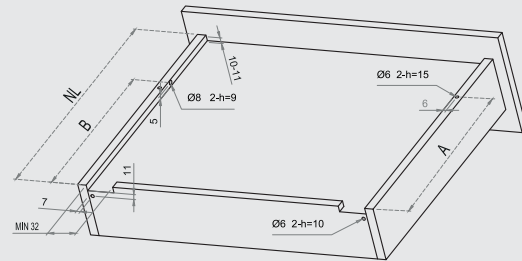
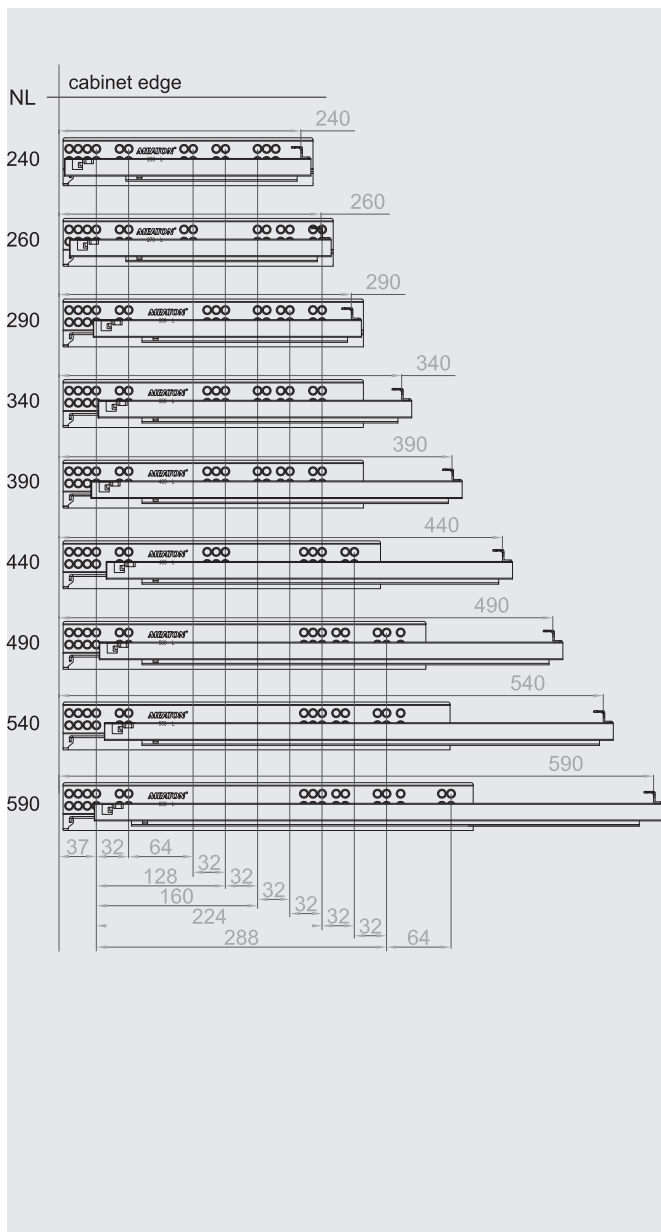


Technical specifications:

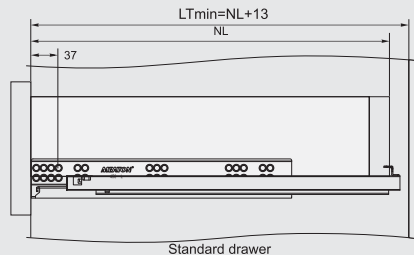
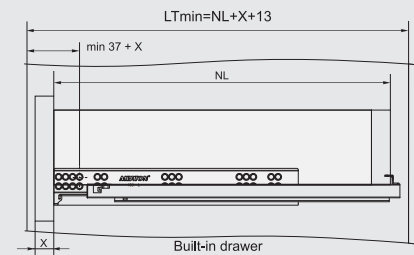
- Main material: galvanized sheet.
- Max loading capacity: 30kg.
- Life guarantee:50,000 cycles.
- Thickness of board: ≤19mm.
- Adjustable opening and closing strength: +25%

Undermount Slide

Installation dimensions

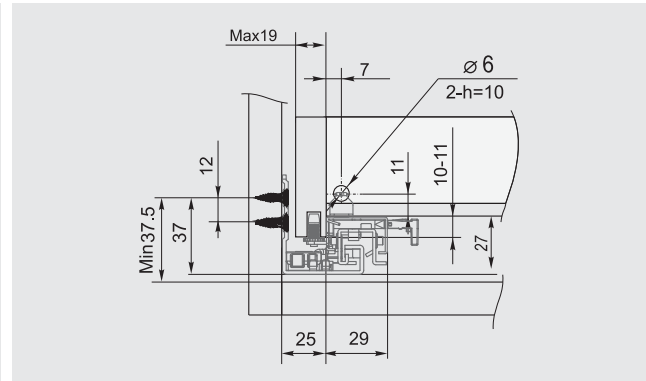
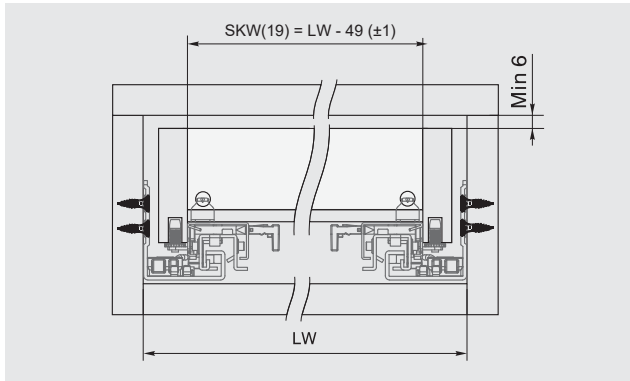


| NL | 240 | 260 | 290 | 340 | 390 | 440 | 490 | 540 | 590 |
|----|-------|-------|-------|-------|-------|-------|-------|-------|-------|
| A | 190 | 205 | 245 | 270 | 305 | 330 | 355 | 390 | 415 |
| B | 200.5 | 215.5 | 255.5 | 280.5 | 319.5 | 369.5 | 419.5 | 469.5 | 519.5 |



LT - Cabinet inner depth
 NL - Nominal slide length
 X - Board thickness

3-Fold concealed soft-closing drawer slide(19mm with bolt locking)

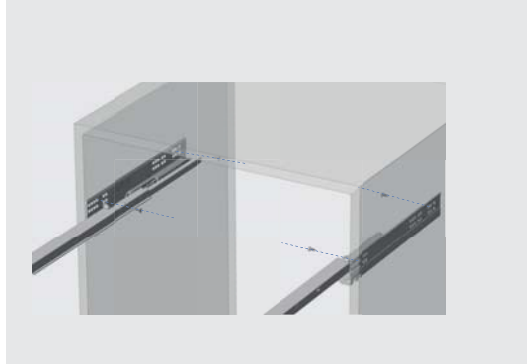


LW - Cabinet inner width
SKW(19) - Drawer inner width(≤19mm drawer side thickness)

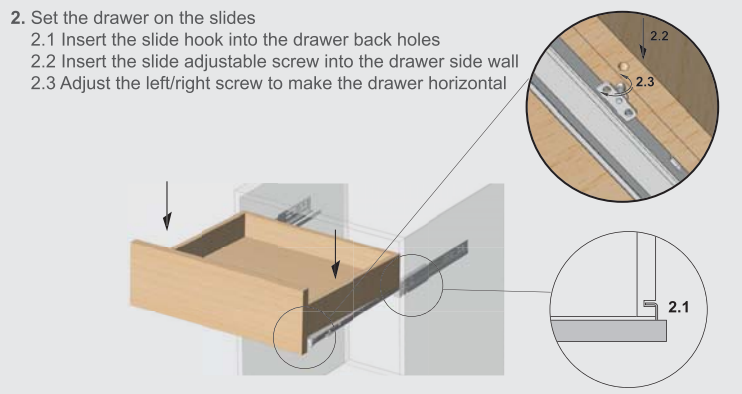


Installation

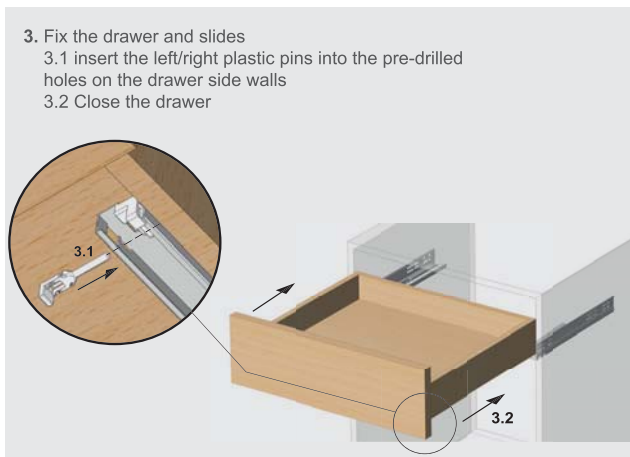
1. Install the slides on the cabinet



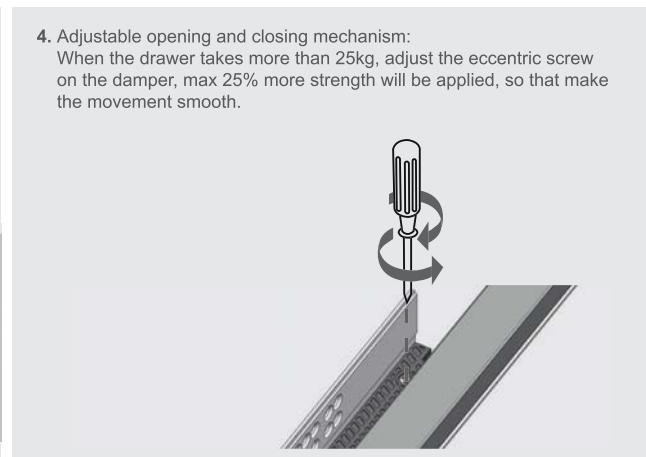
2. Set the drawer on the slides
2.1 Insert the slide hook into the drawer back holes
2.2 Insert the slide adjustable screw into the drawer side wall
2.3 Adjust the left/right screw to make the drawer horizontal



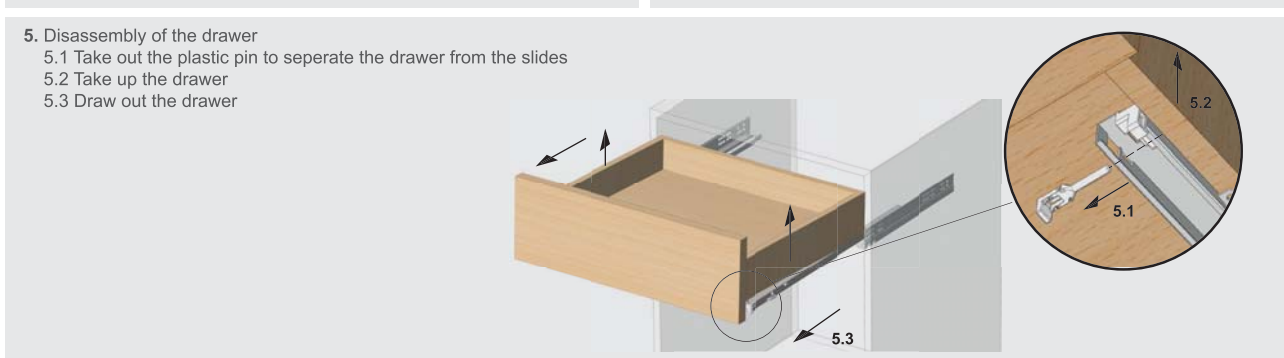
3. Fix the drawer and slides
3.1 insert the left/right plastic pins into the pre-drilled holes on the drawer side walls
3.2 Close the drawer



4. Adjustable opening and closing mechanism:
When the drawer takes more than 25kg, adjust the eccentric screw on the damper, max 25% more strength will be applied, so that make the movement smooth.



5. Disassembly of the drawer
5.1 Take out the plastic pin to separate the drawer from the slides
5.2 Take up the drawer
5.3 Draw out the drawer



SOFT - CLOSING

DY3331 & DH3331(Synchronized)

3-Fold concealed drawer slide(16mm with handle)

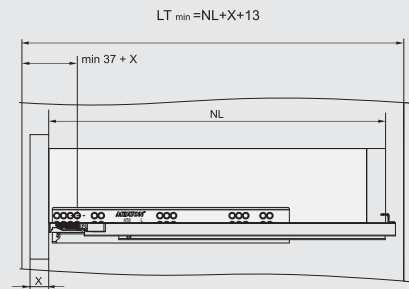
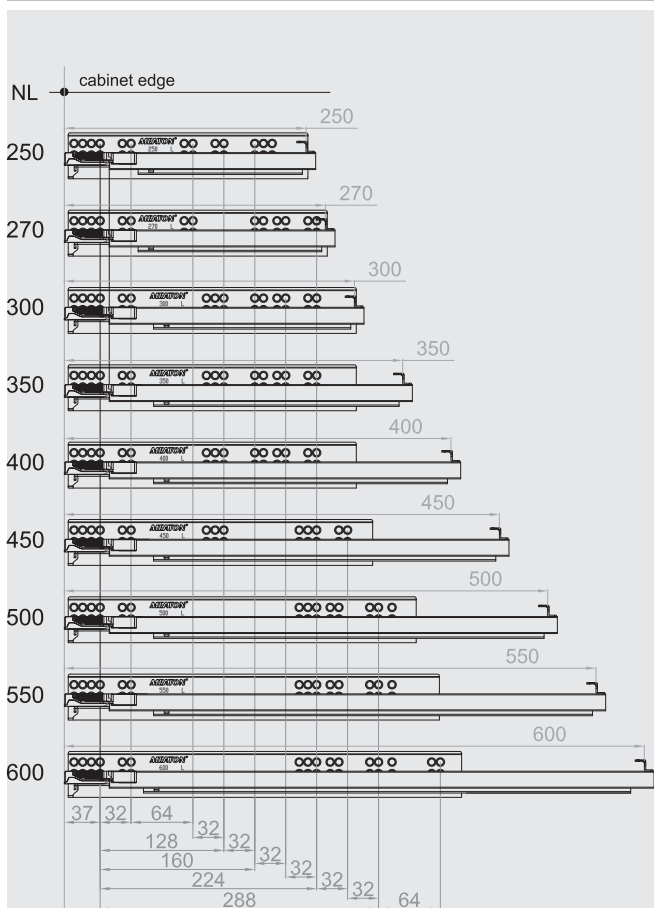


Technical specifications:

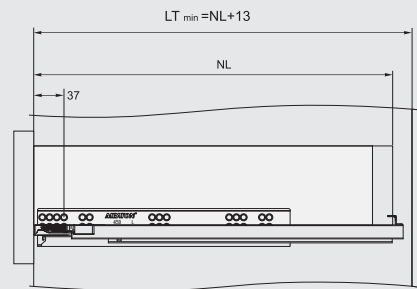
- Main material: galvanized sheet.
- Max loading capacity: 30kg.
- Life guarantee: 50,000 cycles.
- Thickness of board: ≤16mm.
- Adjustable opening and closing strength: +25%

Undermount Slide

Installation dimensions



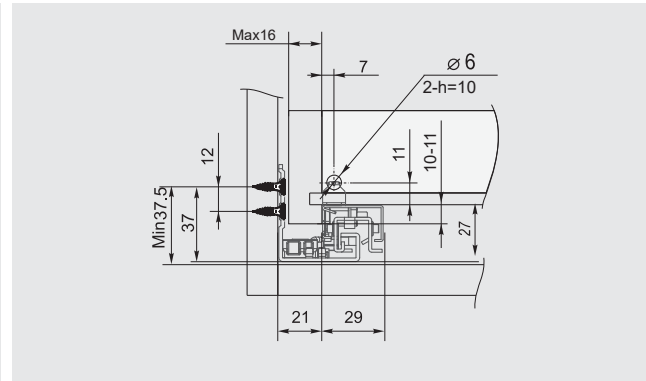
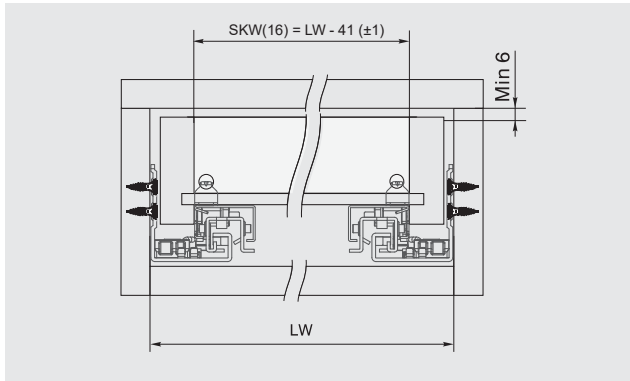
Built-in drawer



Standard drawer

LT - Cabinet inner depth
 NL - Nominal slide length
 X - Board thickness

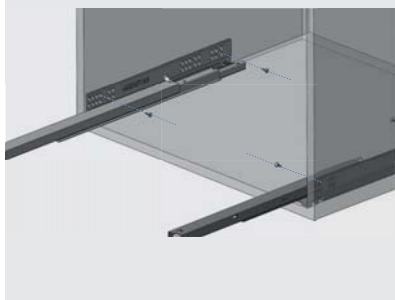
3-Fold concealed soft-closing drawer slide(16mm with handle)



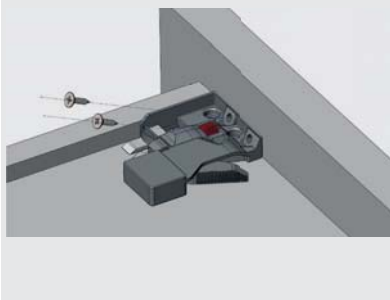
LW - Cabinet inner width
 SKW(16) - Drawer inner width(≤16mm drawer side thickness)

Installation

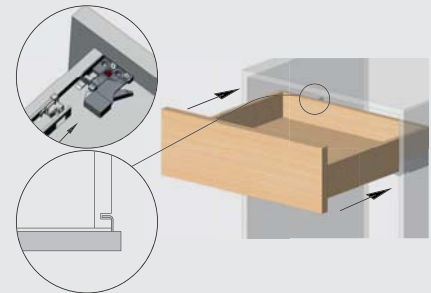
1. Install the slides on the cabinet



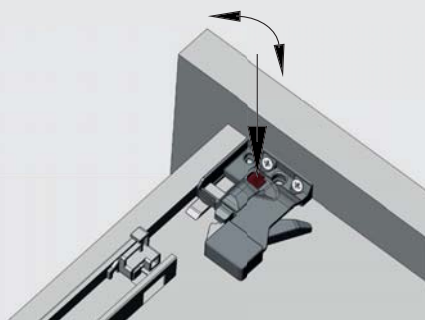
2. Install left/ right handle in the front of the drawer



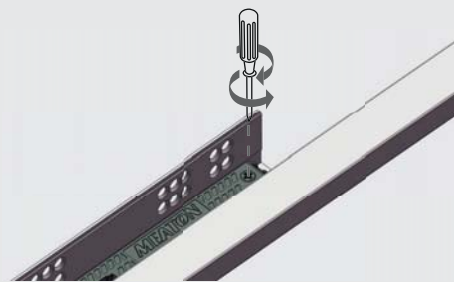
3. Install the drawer on the slides, slide hooks insert into the pre-drilled holes on the drawer back panel



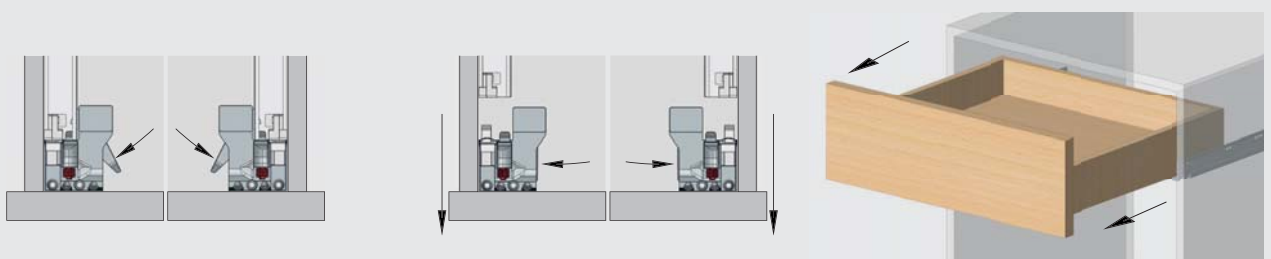
4. Adjust the front panel with plastic wheel on the handle, 0-2.5mm



5. Adjustable opening and closing mechanism:
 When the drawer takes more than 25kg, adjust the eccentric screw on the damper, max 25% more strength will be applied, so that make the movement smooth.



6. Push the handle lever to unlock the drawer, then pull out the drawer



SOFT - CLOSING

DY5331 & DH5331(Synchronized)

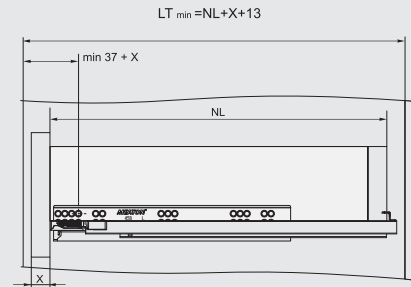
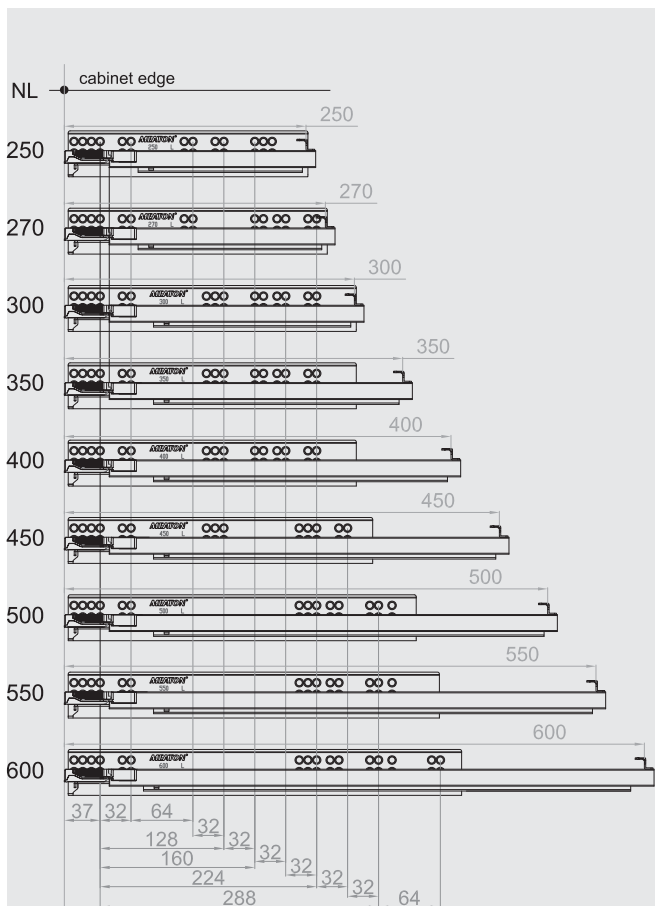
3-Fold concealed drawer slide(19mm with handle)



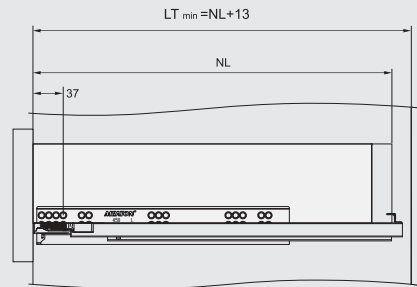
Technical specifications:

- Main material: galvanized sheet.
- Max loading capacity: 30kg.
- Life guarantee:50,000 cycles.
- Thickness of board: ≤19mm.
- Adjustable opening and closing strength: +25%

Installation dimensions



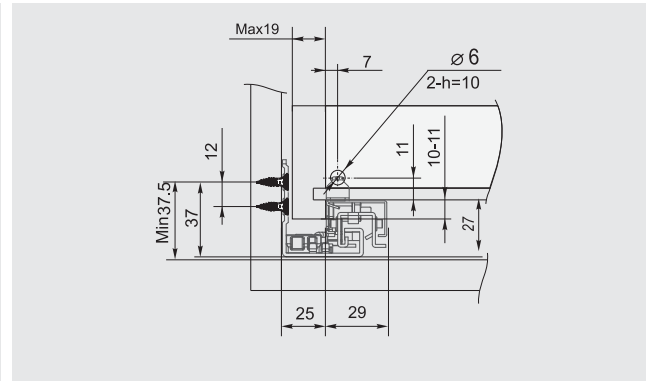
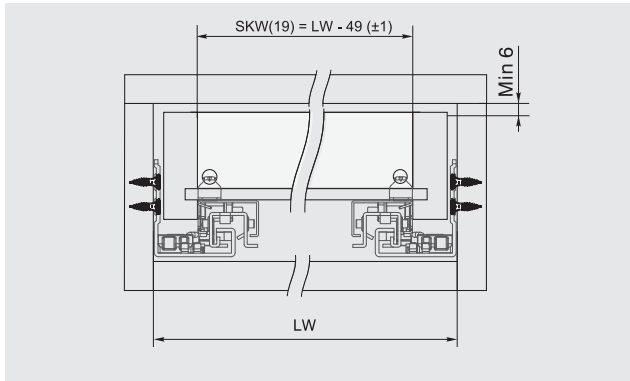
Built-in drawer



Standard drawer

LT - Cabinet inner depth
 NL - Nominal slide length
 X - Board thickness

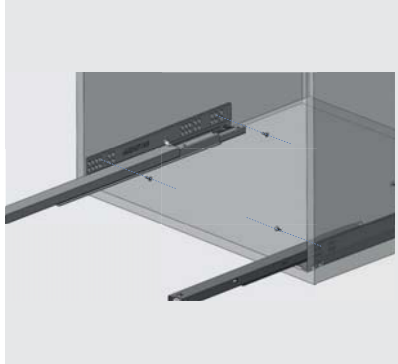
3-Fold concealed soft-closing drawer slide(19mm with handle)



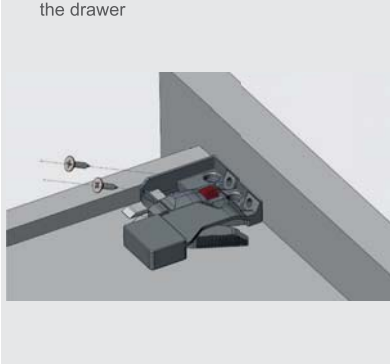
LW - Cabinet inner width
SKW(19) - Drawer inner width(≤19mm drawer side thickness)

Installation

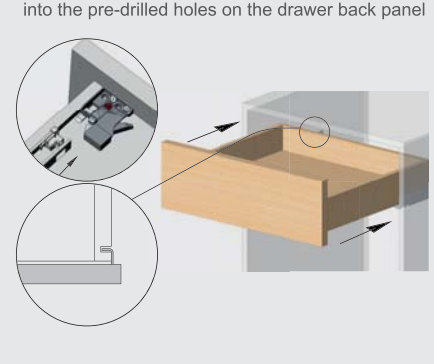
1. Install the slides on the cabinet



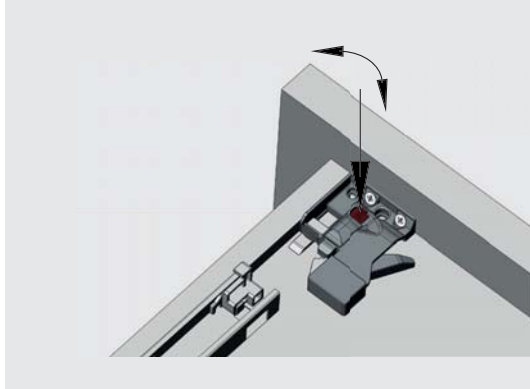
2. Install left/ right handle in the front of the drawer



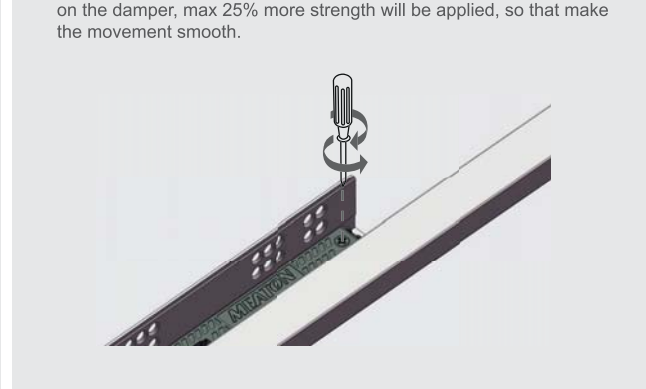
3. Install the drawer on the slides, slide hooks insert into the pre-drilled holes on the drawer back panel



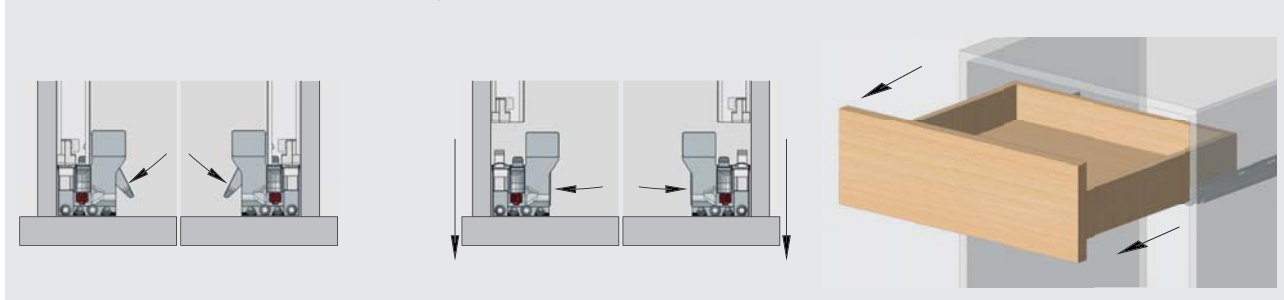
4. Adjust the front panel with plastic wheel on the handle, 0-2.5mm



5. Adjustable opening and closing mechanism:
When the drawer takes more than 25kg, adjust the eccentric screw on the damper, max 25% more strength will be applied, so that make the movement smooth.



6. Push the handle lever to unlock the drawer, then pull out the drawer



SOFT - CLOSING

DY3341 & DH3341(Synchronized)

3-Fold concealed drawer slide(16mm with handle)

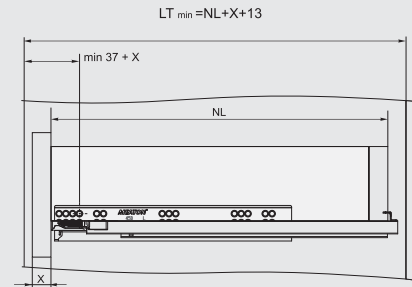
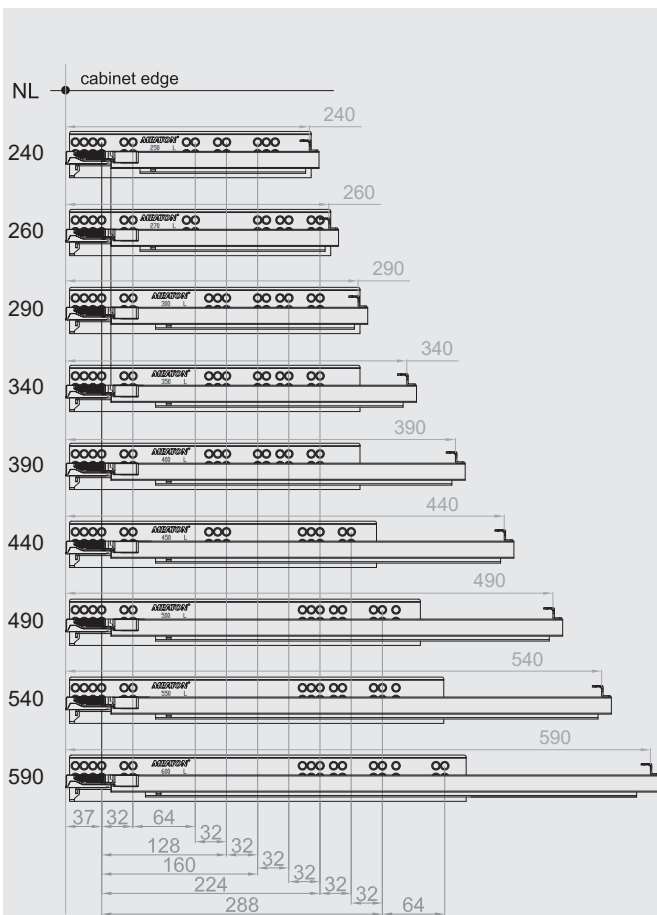


Technical specifications:

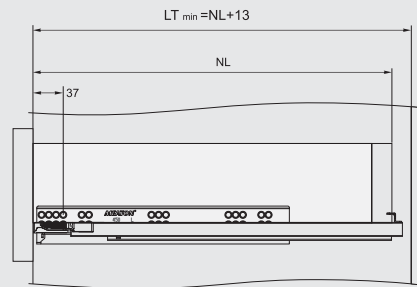
- Main material: galvanized sheet.
- Max loading capacity: 30kg.
- Life guarantee:50,000 cycles.
- Thickness of board: ≤16mm.
- Adjustable opening and closing strength: +25%

Undermount Slide

Installation dimensions



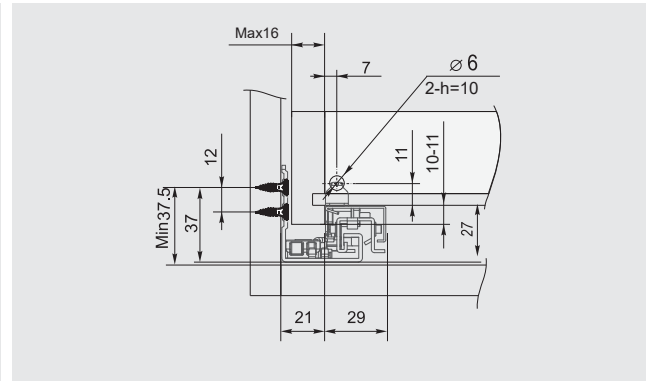
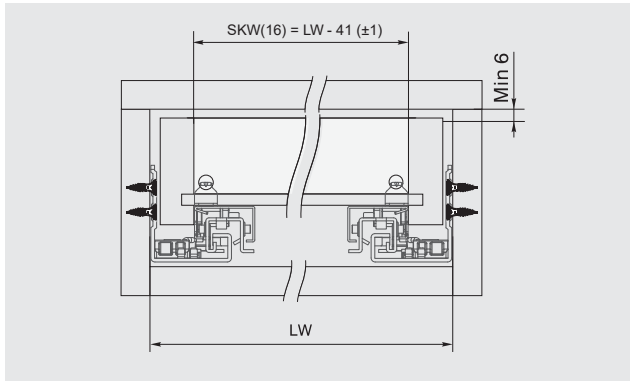
Built-in drawer



Standard drawer

LT - Cabinet inner depth
 NL - Nominal slide length
 X - Board thickness

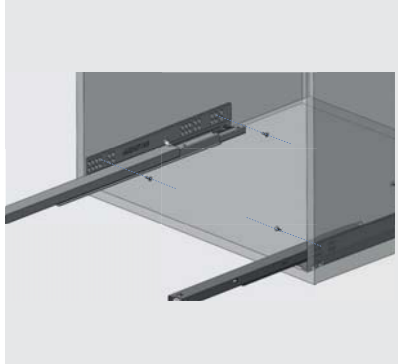
3-Fold concealed soft-closing drawer slide(16mm with handle)



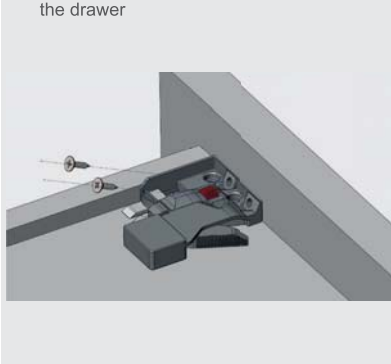
LW - Cabinet inner width
 SKW(16) - Drawer inner width(≤16mm drawer side thickness)

Installation

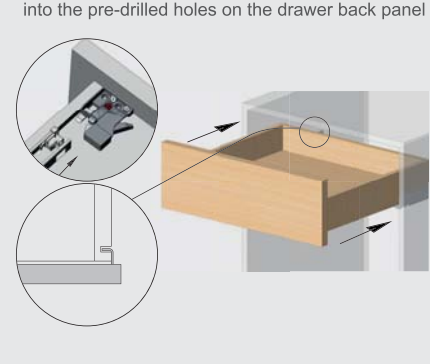
1. Install the slides on the cabinet



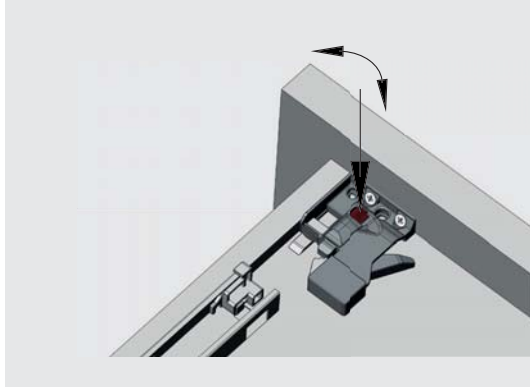
2. Install left/ right handle in the front of the drawer



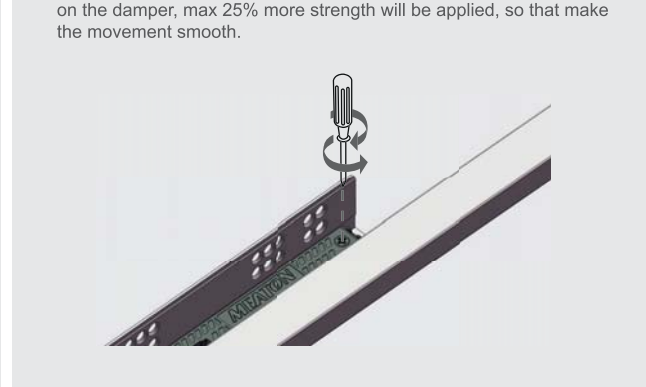
3. Install the drawer on the slides, slide hooks insert into the pre-drilled holes on the drawer back panel



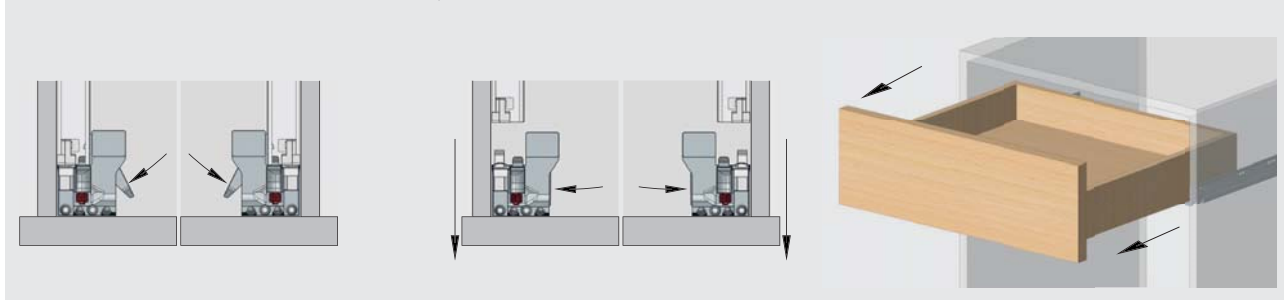
4. Adjust the front panel with plastic wheel on the handle, 0-2.5mm



5. Adjustable opening and closing mechanism:
 When the drawer takes more than 25kg, adjust the eccentric screw on the damper, max 25% more strength will be applied, so that make the movement smooth.



6. Push the handle lever to unlock the drawer, then pull out the drawer



SOFT - CLOSING

DY5341 & DH5341(Synchronized)

3-Fold concealed drawer slide(19mm with handle)

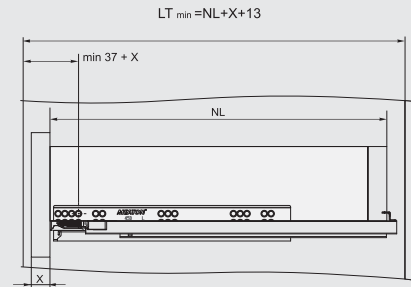
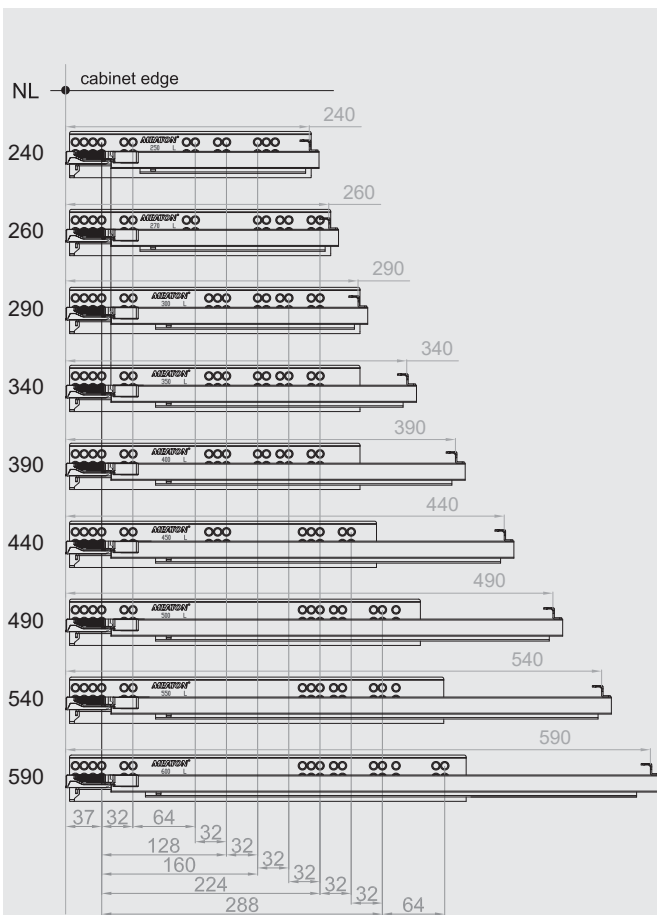


Technical specifications:

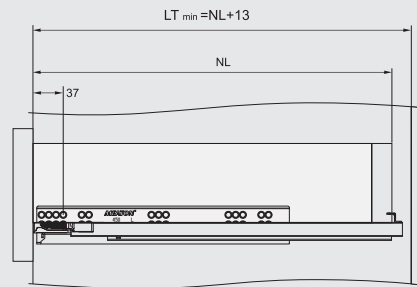
- Main material: galvanized sheet.
- Max loading capacity: 30kg.
- Life guarantee:50,000 cycles.
- Thickness of board: ≤19mm.
- Adjustable opening and closing strength: +25%

Undermount Slide

Installation dimensions



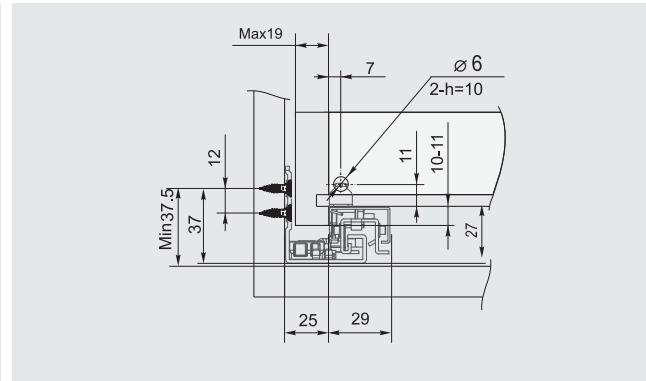
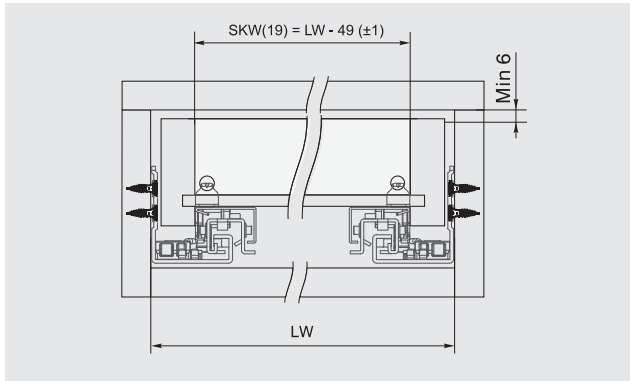
Built-in drawer



Standard drawer

LT - Cabinet inner depth
 NL - Nominal slide length
 X - Board thickness

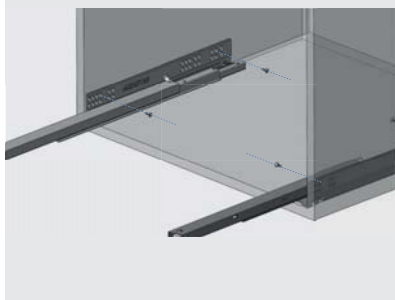
3-Fold concealed soft-closing drawer slide(19mm with handle)



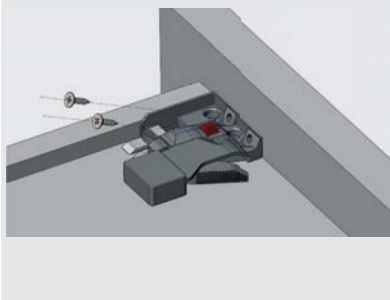
LW - Cabinet inner width
SKW(19) - Drawer inner width(≤19mm drawer side thickness)

Installation

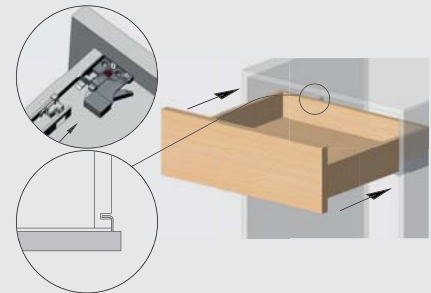
1. Install the slides on the cabinet



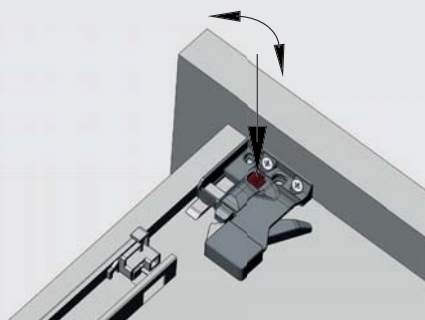
2. Install left/ right handle in the front of the drawer



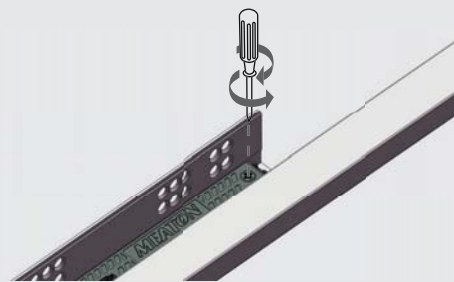
3. Install the drawer on the slides, slide hooks insert into the pre-drilled holes on the drawer back panel



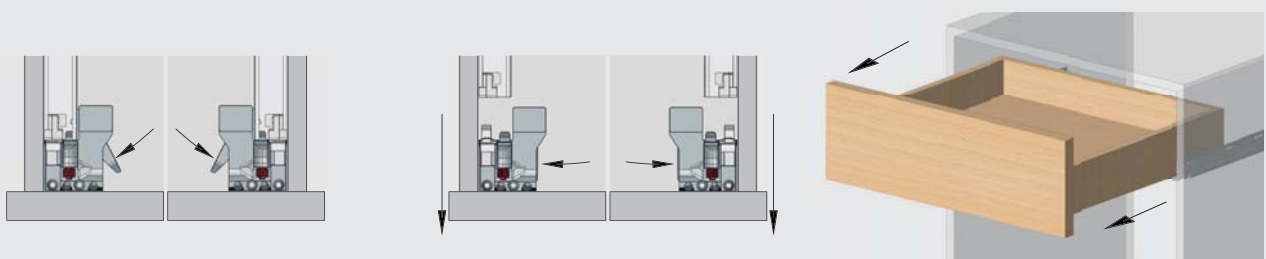
4. Adjust the front panel with plastic wheel on the handle, 0-2.5mm



5. Adjustable opening and closing mechanism:
When the drawer takes more than 25kg, adjust the eccentric screw on the damper, max 25% more strength will be applied, so that make the movement smooth.



6. Push the handle lever to unlock the drawer, then pull out the drawer



SOFT - CLOSING

DY3326

3-Fold concealed drawer slide(16mm with handle) - American type

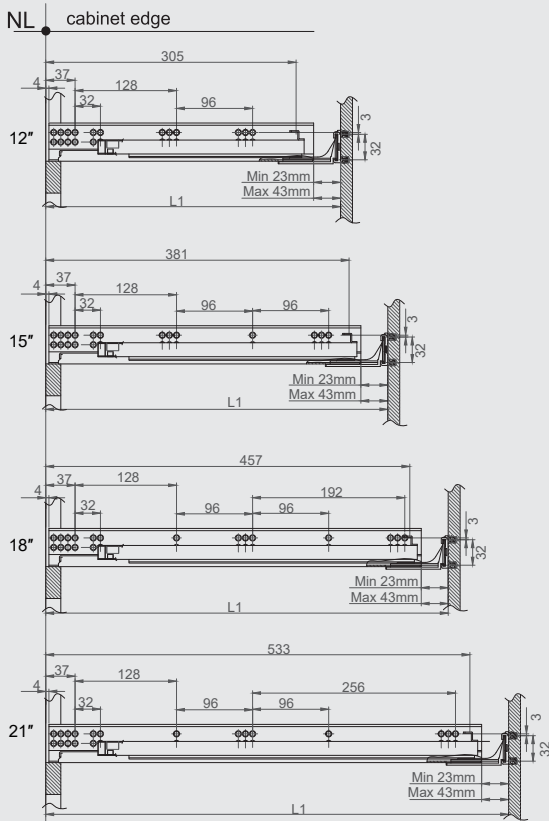


Technical specifications:

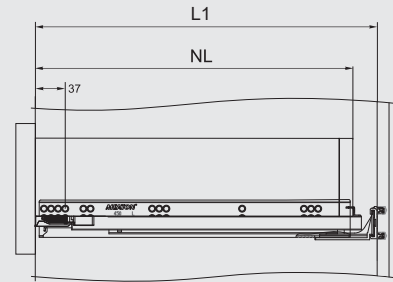
- Main material: galvanized sheet.
- Max loading capacity: 30kg.
- Life guarantee: 50,000 cycles.
- Thickness of board: ≤16mm.
- Adjustable opening and closing strength: +25%

Undermount Slide

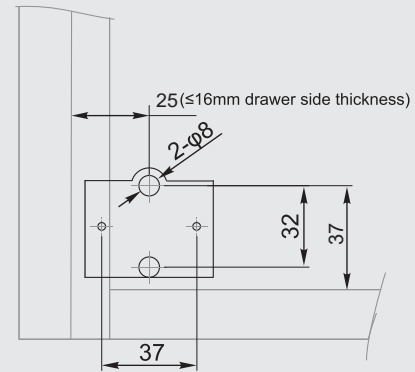
Installation dimensions



| NL | NL | Min L1 | Max L1 |
|-----|-----|--------|--------|
| 12" | 305 | 338 | 358 |
| 15" | 381 | 416 | 436 |
| 18" | 457 | 494 | 514 |
| 21" | 533 | 568 | 588 |

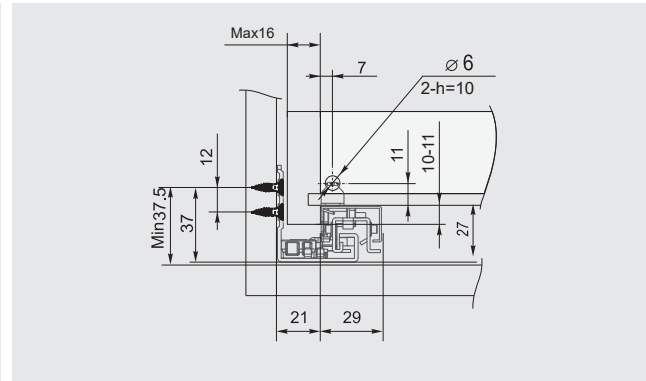
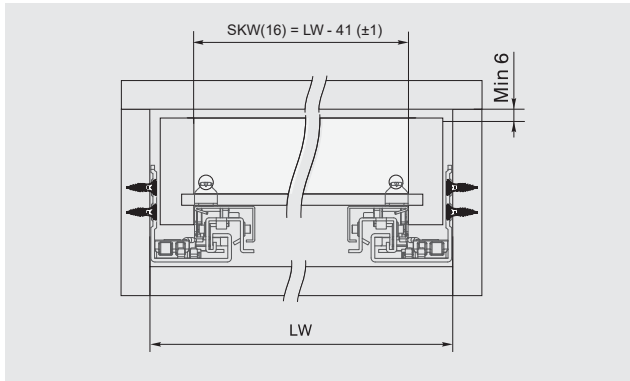


Standard drawer
NL - nominal slide length



LT - Cabinet inner depth
NL - Nominal slide length
X - Board thickness

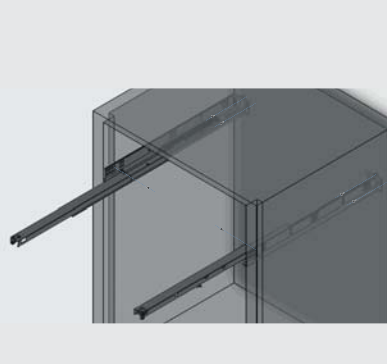
3-Fold concealed soft-closing drawer slide(16mm with handle) - American type



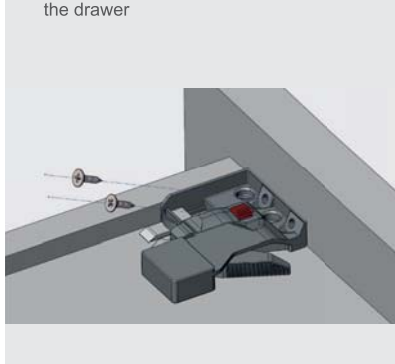
LW - Cabinet inner width
 SKW(16) - Drawer inner width(≤16mm drawer side thickness)

Installation

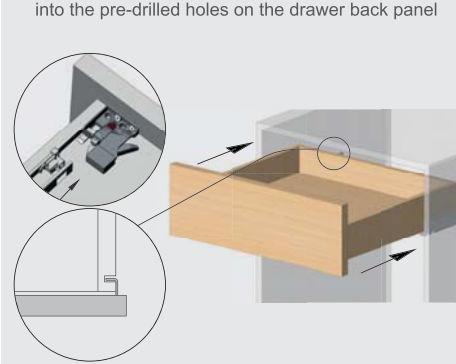
1. Install the slides on the cabinet



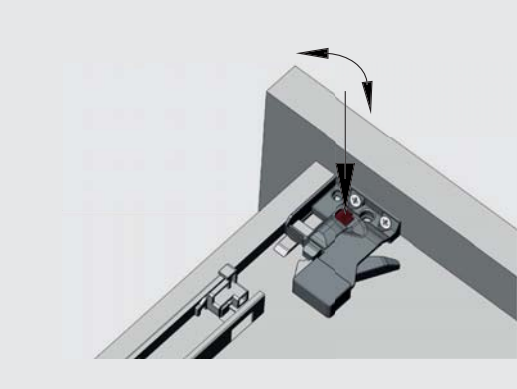
2. Install left/ right handle in the front of the drawer



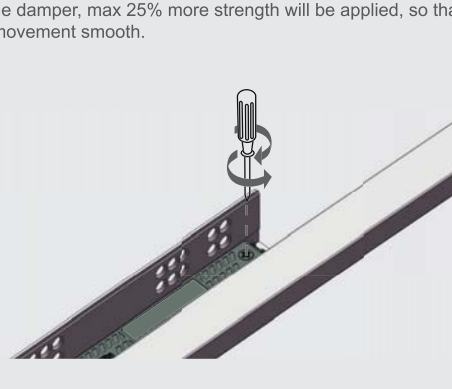
3. Install the drawer on the slides, slide hooks insert into the pre-drilled holes on the drawer back panel



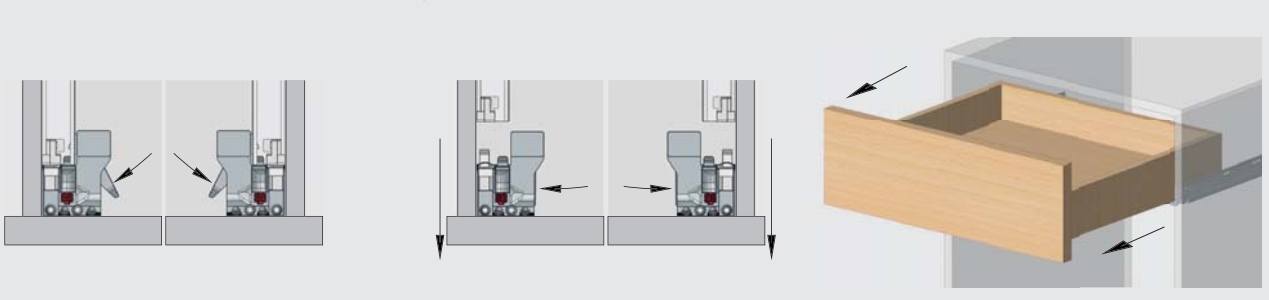
4. Adjust the front panel with plastic wheel on the handle, 0-2.5mm



5. Adjustable opening and closing mechanism:
 When the drawer takes more than 25kg, adjust the eccentric screw on the damper, max 25% more strength will be applied, so that make the movement smooth.



6. Push the handle lever to unlock the drawer, then pull out the drawer



SOFT - CLOSING

DY5326

3-Fold concealed drawer slide(19mm with handle) - American type

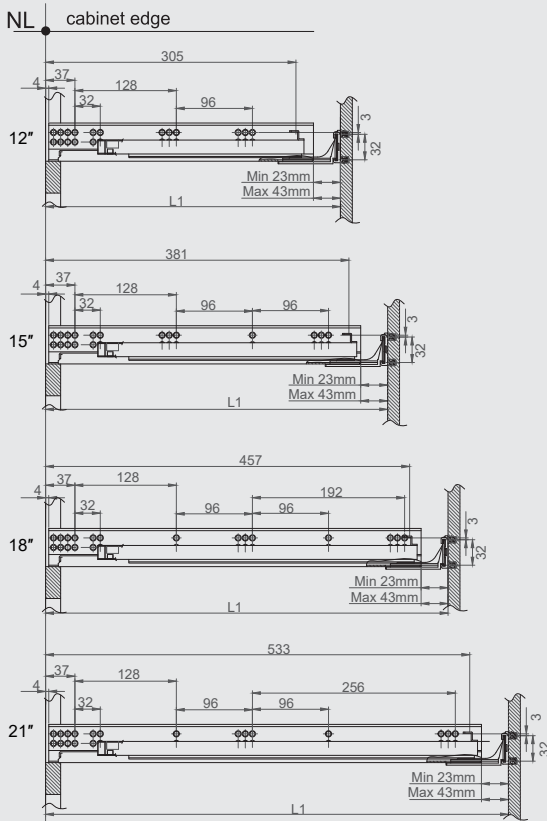


Technical specifications:

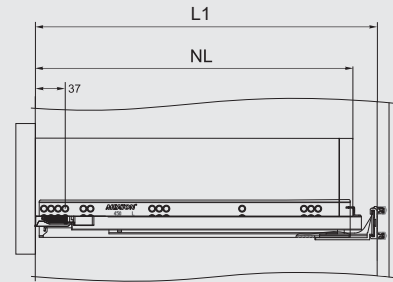
- Main material: galvanized sheet.
- Max loading capacity: 30kg.
- Life guarantee: 50,000 cycles.
- Thickness of board: ≤19mm.
- Adjustable opening and closing strength: +25%

Undermount Slide

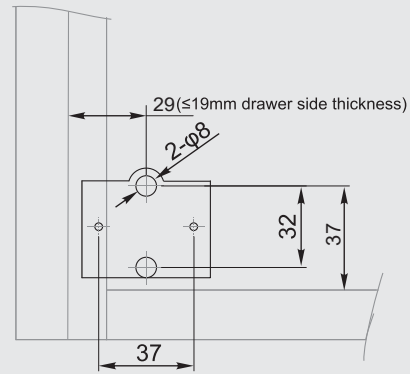
Installation dimensions



| NL | NL | Min L1 | Max L1 |
|-----|-----|--------|--------|
| 12" | 305 | 338 | 358 |
| 15" | 381 | 416 | 436 |
| 18" | 457 | 494 | 514 |
| 21" | 533 | 568 | 588 |

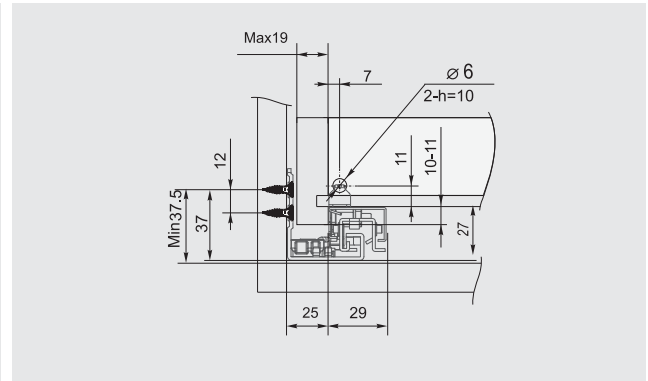
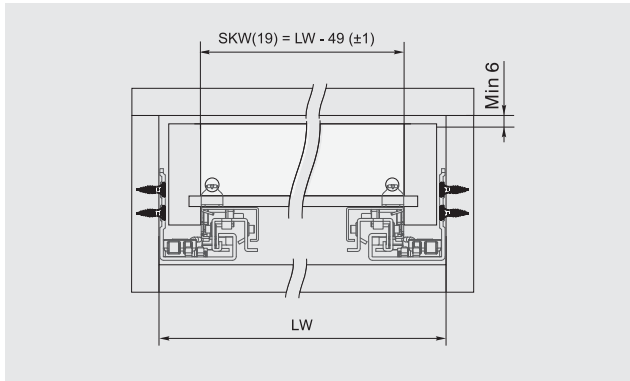


Standard drawer
NL - nominal slide length



LT - Cabinet inner depth
NL - Nominal slide length
X - Board thickness

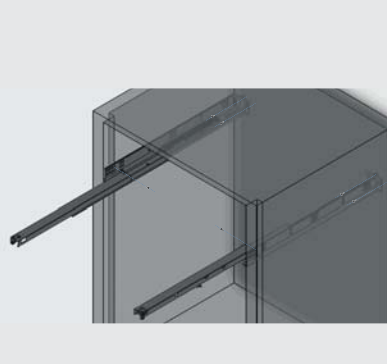
3-Fold concealed **soft-closing** drawer slide(19mm with handle) - American type



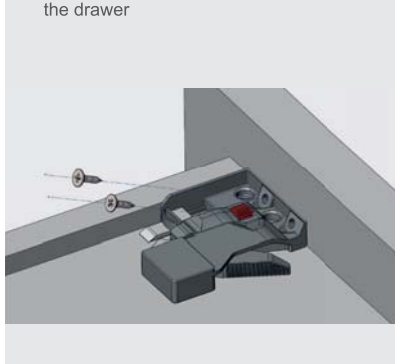
LW - Cabinet inner width
SKW(19) - Drawer inner width(≤19mm drawer side thickness)

Installation

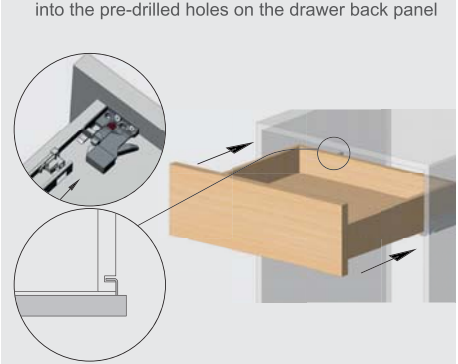
1. Install the slides on the cabinet



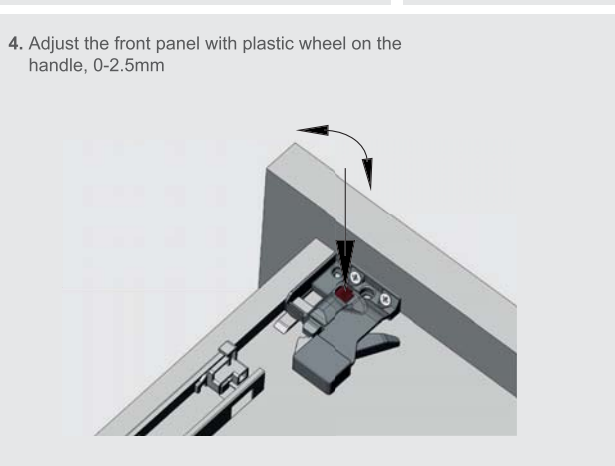
2. Install left/ right handle in the front of the drawer



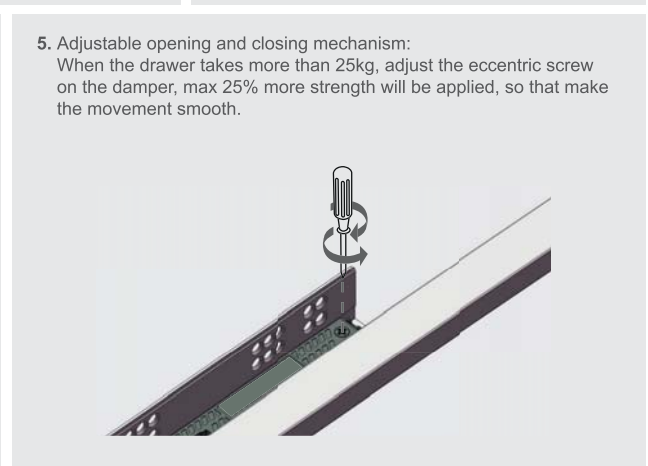
3. Install the drawer on the slides, slide hooks insert into the pre-drilled holes on the drawer back panel



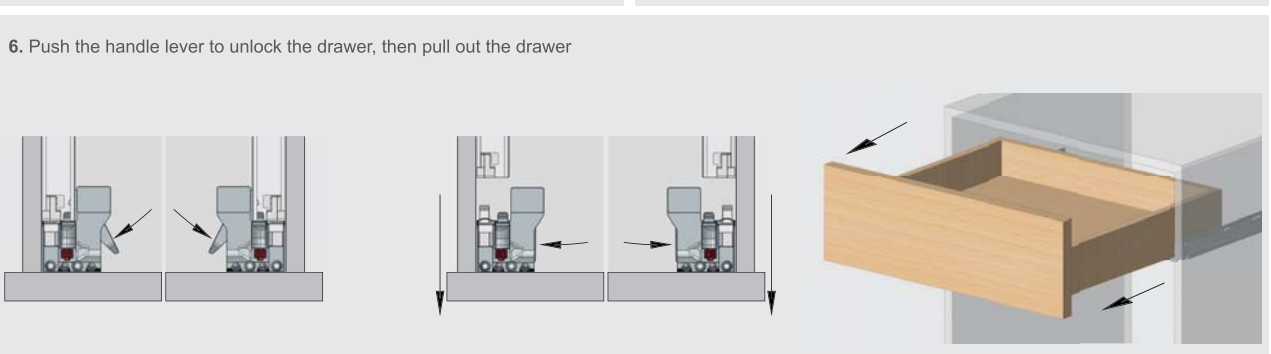
4. Adjust the front panel with plastic wheel on the handle, 0-2.5mm



5. Adjustable opening and closing mechanism:
When the drawer takes more than 25kg, adjust the eccentric screw on the damper, max 25% more strength will be applied, so that make the movement smooth.



6. Push the handle lever to unlock the drawer, then pull out the drawer



SOFT - CLOSING

DY6201

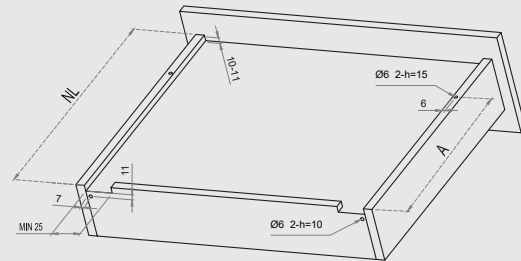
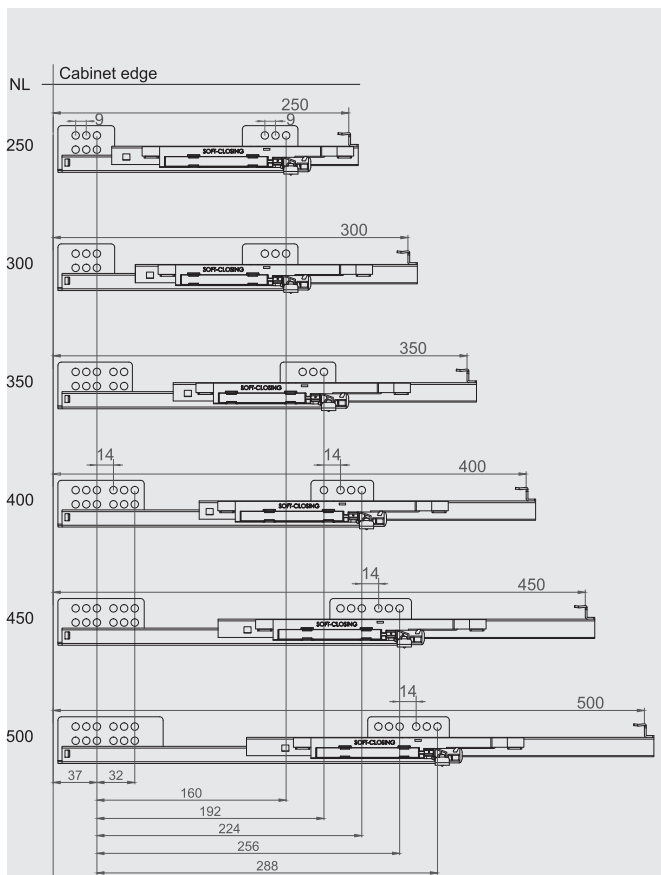
2-Fold light concealed drawer slide(16mm with bolt locking)



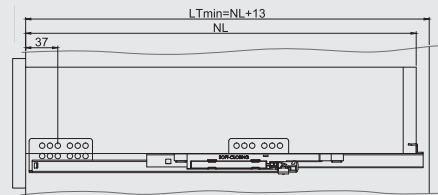
Technical specifications:

- Main material: galvanized sheet.
- Max loading capacity: 20kg.
- Life guarantee: 40,000 cycles.
- Thickness of board: ≤16mm.

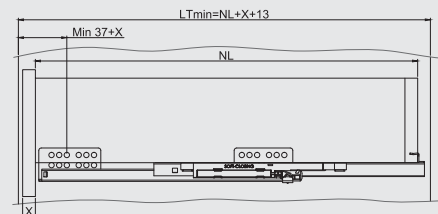
Installation dimensions



| | | | | | | |
|----|-------|-------|-------|-------|-------|-------|
| NL | 250 | 300 | 350 | 400 | 450 | 500 |
| A | 188.5 | 188.5 | 221.5 | 249.5 | 283.5 | 309.5 |



Standard drawer



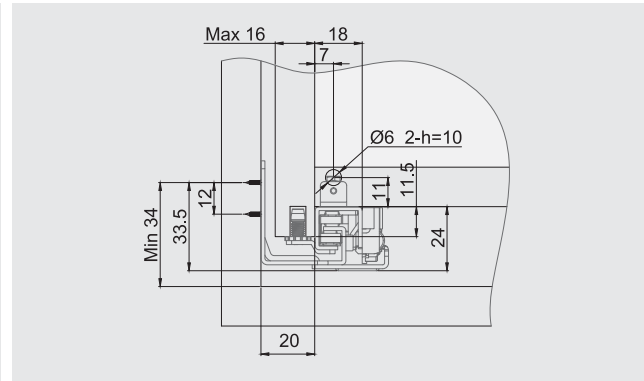
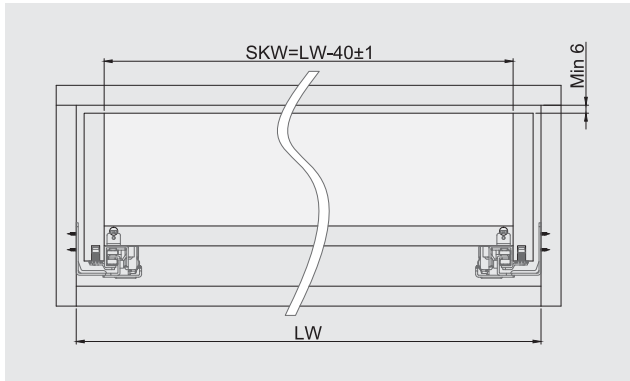
Built-in drawer

LT - Cabinet inner depth
 NL - Nominal slide length
 X - Board thickness



Undermount Slide

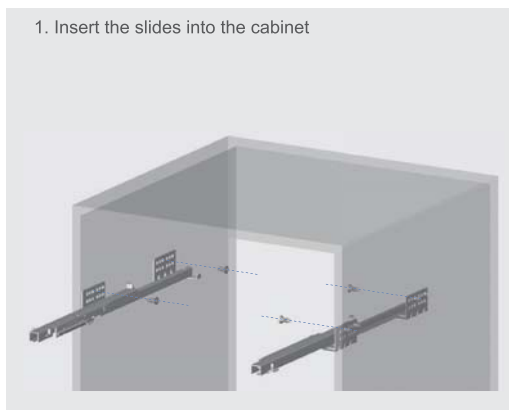
2-Fold light concealed soft-closing drawer slide(16mm with bolt locking)



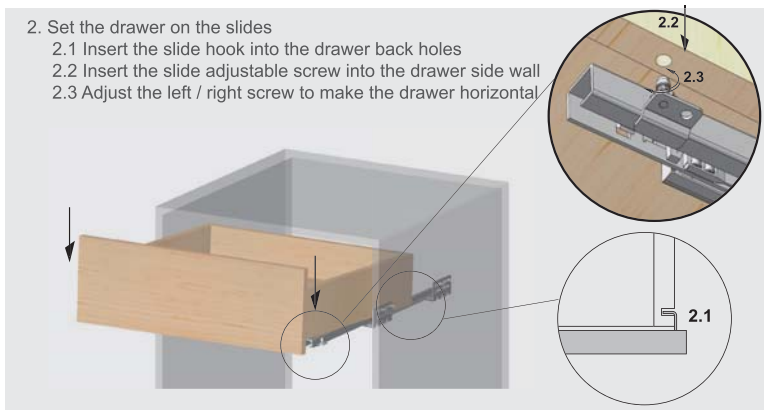
LW - Cabinet inner width
SKW(16) - Drawer inner width(≤16mm drawer side thickness)

Installation

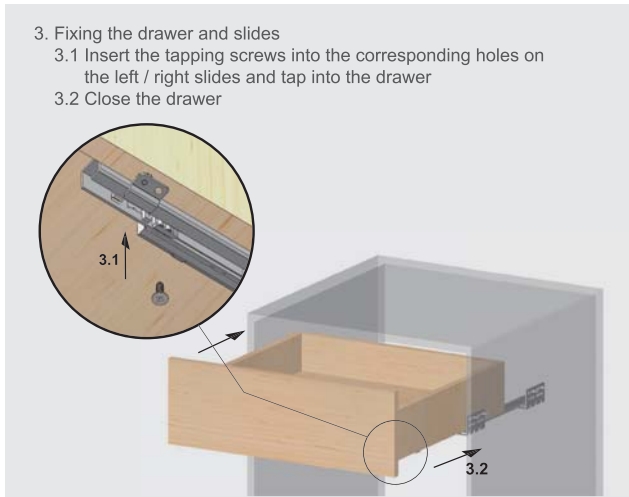
1. Insert the slides into the cabinet



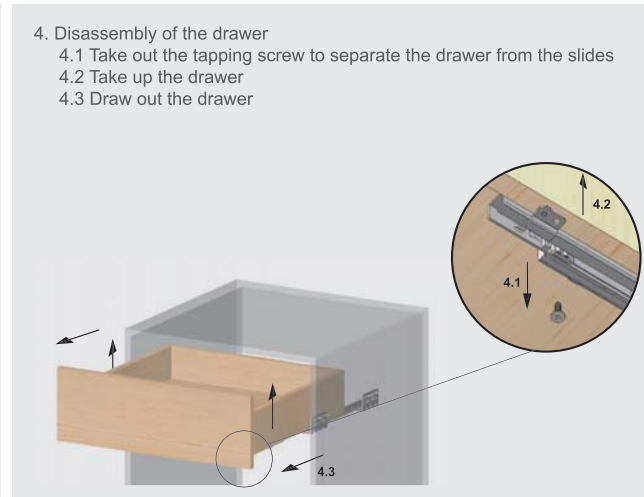
2. Set the drawer on the slides
2.1 Insert the slide hook into the drawer back holes
2.2 Insert the slide adjustable screw into the drawer side wall
2.3 Adjust the left / right screw to make the drawer horizontal



3. Fixing the drawer and slides
3.1 Insert the tapping screws into the corresponding holes on the left / right slides and tap into the drawer
3.2 Close the drawer



4. Disassembly of the drawer
4.1 Take out the tapping screw to separate the drawer from the slides
4.2 Take up the drawer
4.3 Draw out the drawer



SOFT - CLOSING

DY6331

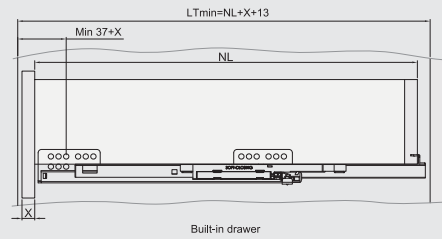
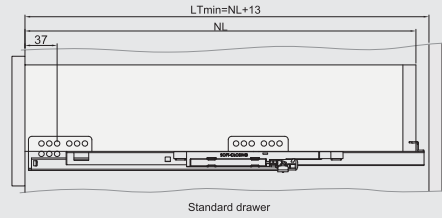
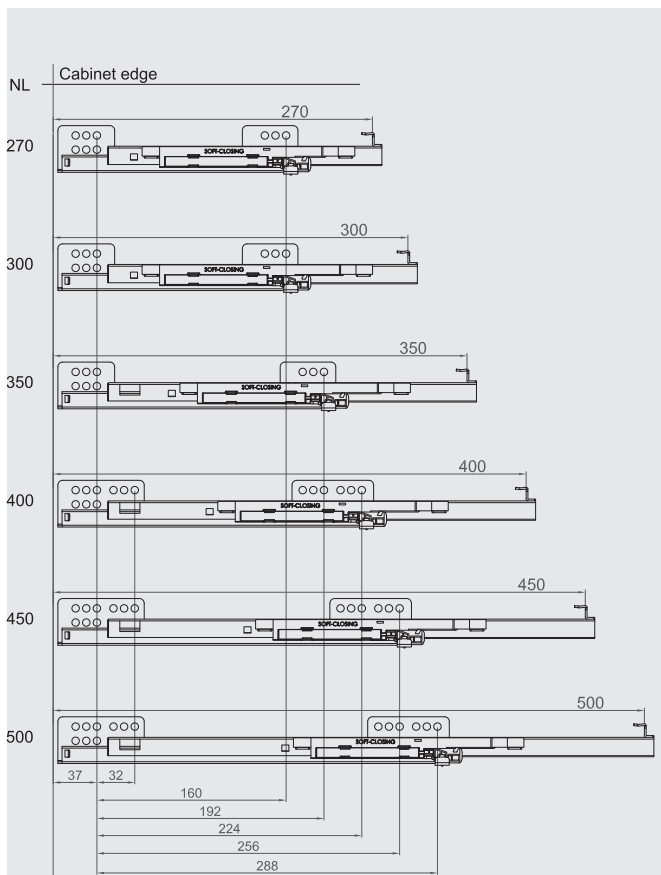
2-Fold light concealed drawer slide(16mm with handle)



Technical specifications:

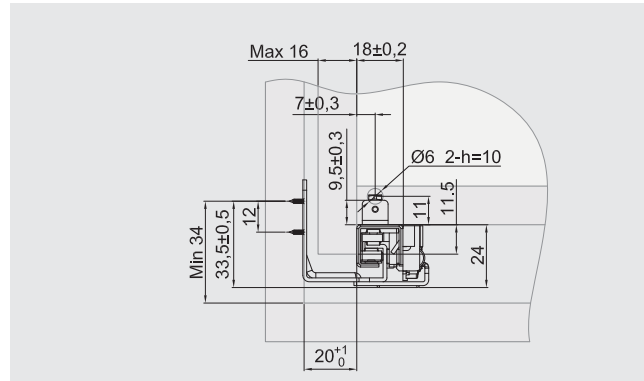
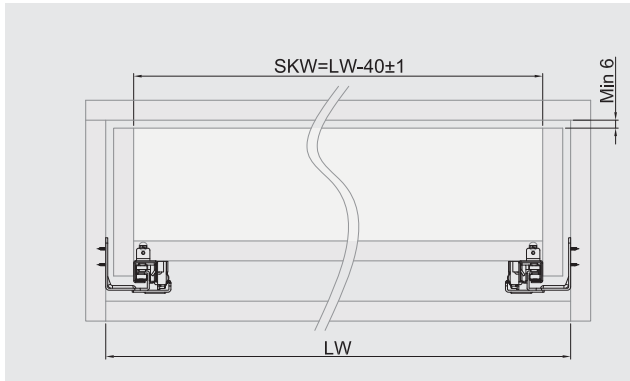
- Main material: galvanized sheet.
- Max loading capacity: 20kg.
- Life guarantee: 40,000 cycles.
- Thickness of board: ≤16mm.

Installation dimensions



LT - Cabinet inner depth
 NL - Nominal slide length
 X - Board thickness

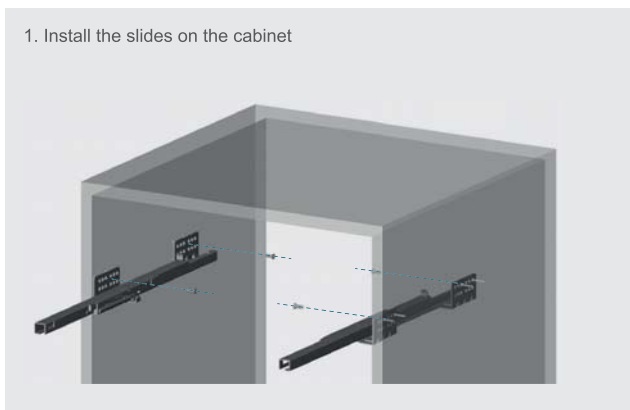
2-Fold light concealed soft-closing drawer slide(16mm with handle)



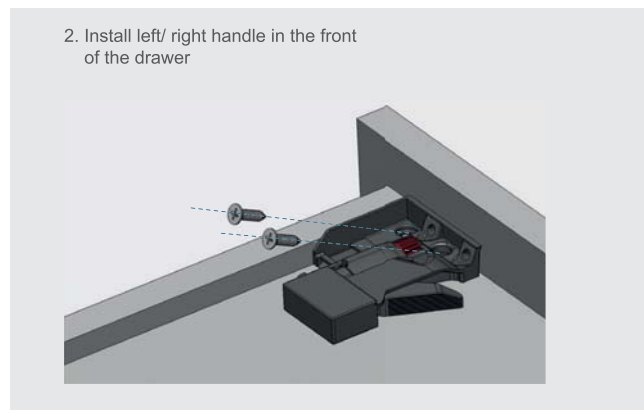
LW - Cabinet inner width
SKW(16) - Drawer inner width(≤ 16 mm drawer side thickness)

Installation

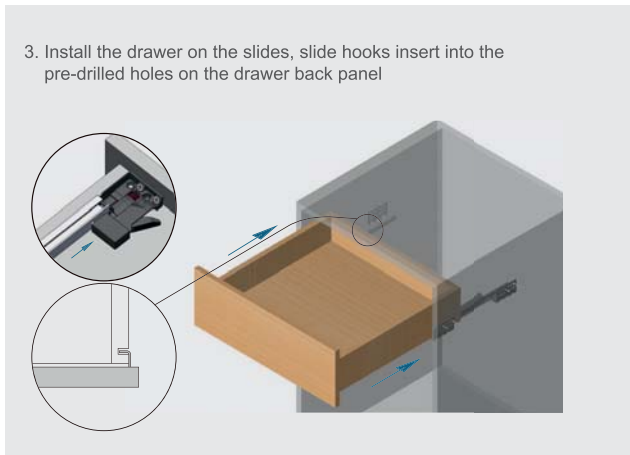
1. Install the slides on the cabinet



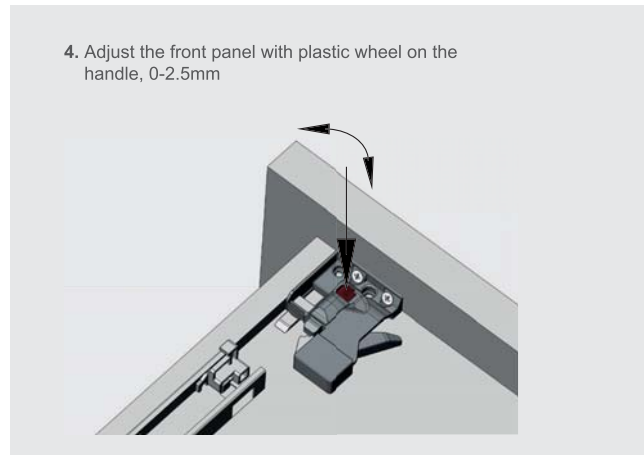
2. Install left/ right handle in the front of the drawer



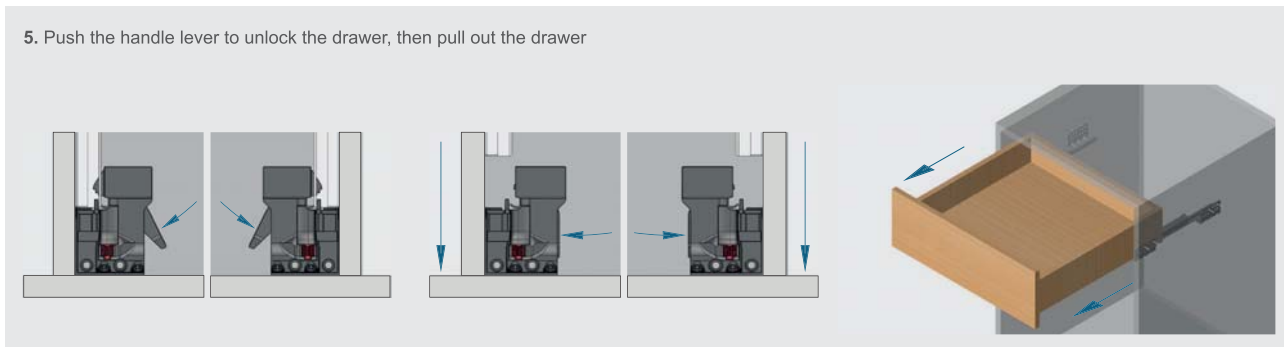
3. Install the drawer on the slides, slide hooks insert into the pre-drilled holes on the drawer back panel



4. Adjust the front panel with plastic wheel on the handle, 0-2.5mm



5. Push the handle lever to unlock the drawer, then pull out the drawer



SOFT - CLOSING

DY5320

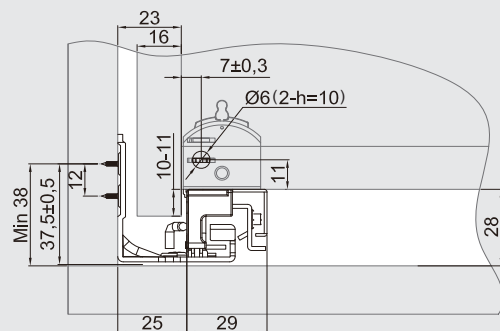
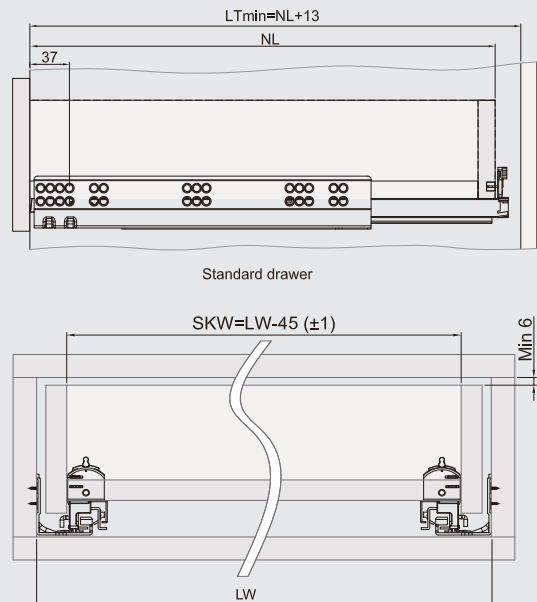
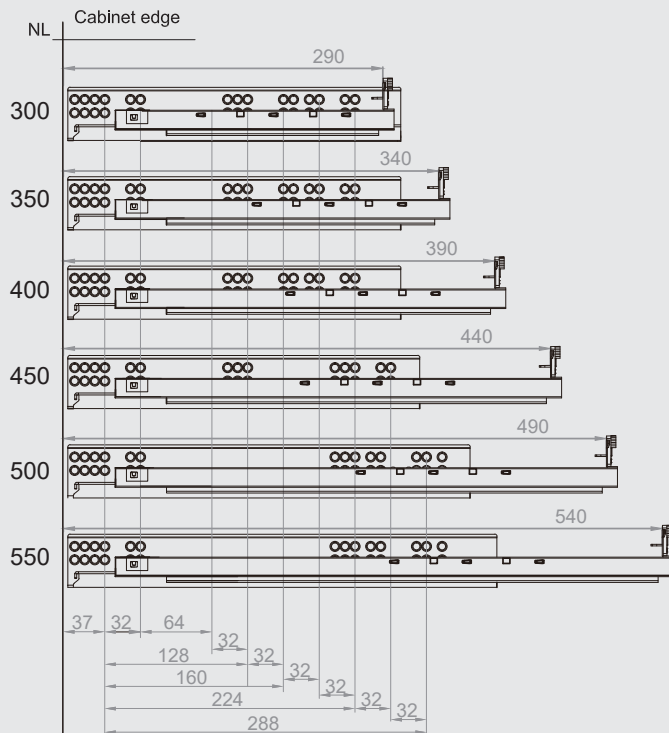
Full extension soft-close with handle



Technical specifications:

- Main material: galvanized sheet.
- Max loading capacity: 40kg.
- Life guarantee: 80,000 cycles.
- Thickness of board: ≤16mm.

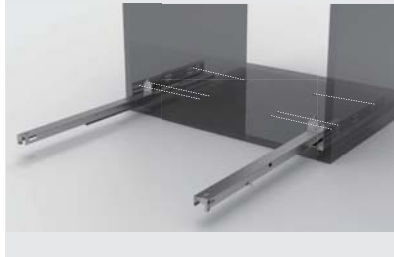
Installation dimensions



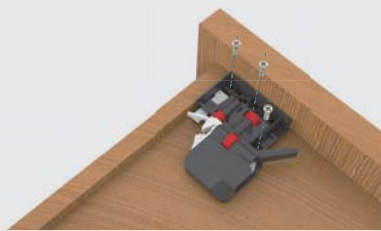
- LT - Cabinet inner depth
- NL - Nominal slide length
- X - min 3 mm , max 9 mm
- LW - Cabinet inner width
- SKW(16) - Drawer inner width (≤16mm drawer side thickness)

Full extension soft-closing with handle

1. Install the slides on the cabinet



2. Install left/ right handle in the front of the drawer

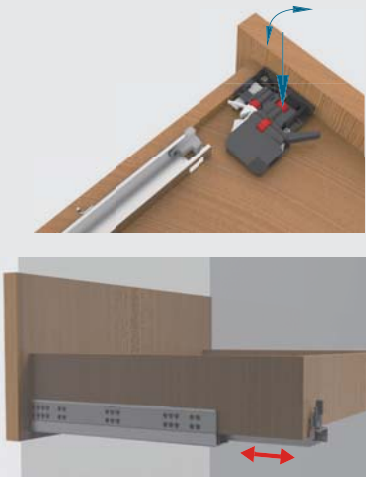
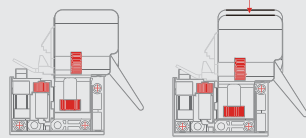


3. Install the drawer on the slides, slide hooks insert into the pre-drilled holes on the drawer back panel

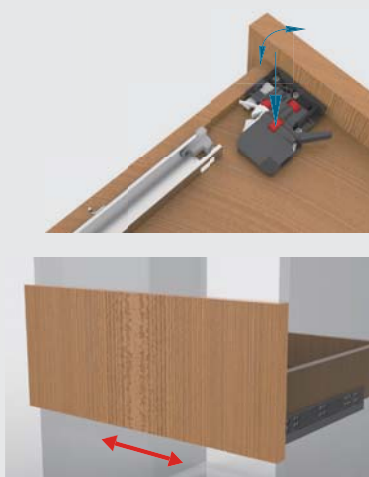
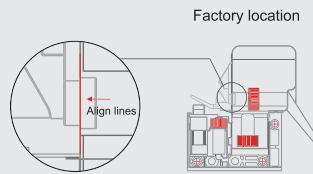


4. Adjust the front panel with plastic wheels on the handle.
4.1 Front and back adjustment +4mm.

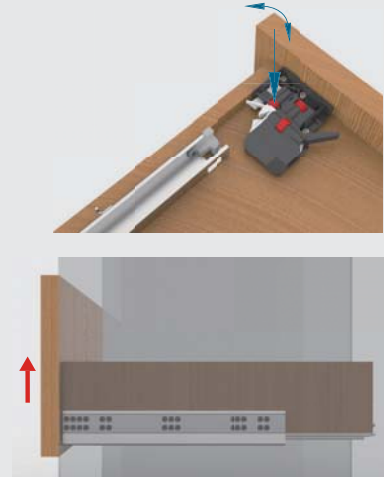
Factory location Adjustable maximum location



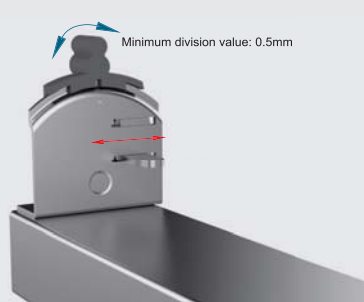
4.2 Left and right adjustment $\pm 2\text{mm}$.



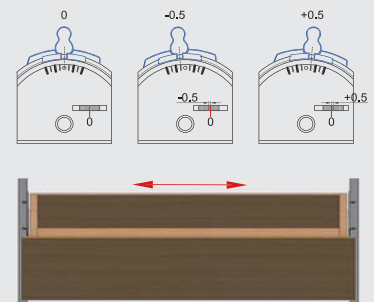
4.3 Up and down adjustment 0-3mm.



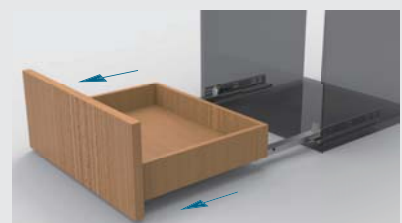
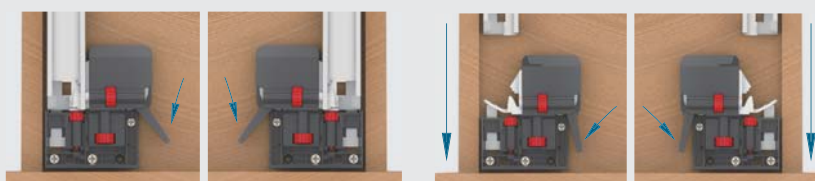
5. Rotate the dial behind the tail hook (both left and right sides at the same time: clockwise or counterclockwise), so as to achieve the back of the drawer's left and right adjustment $\pm 2\text{mm}$ (Minimum division value is 0.5mm). This step must be done simultaneously with Step 4.2.



Minimum division value: 0.5mm



6. Push the handle



PUSH - OPEN

DP2201 & DP4201

2-Fold concealed drawer slide(with bolt locking)



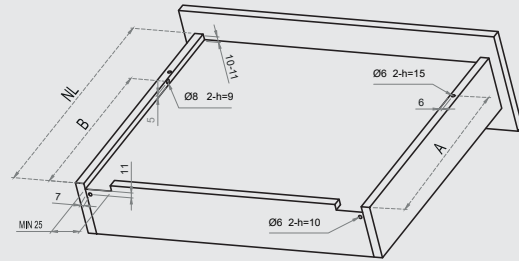
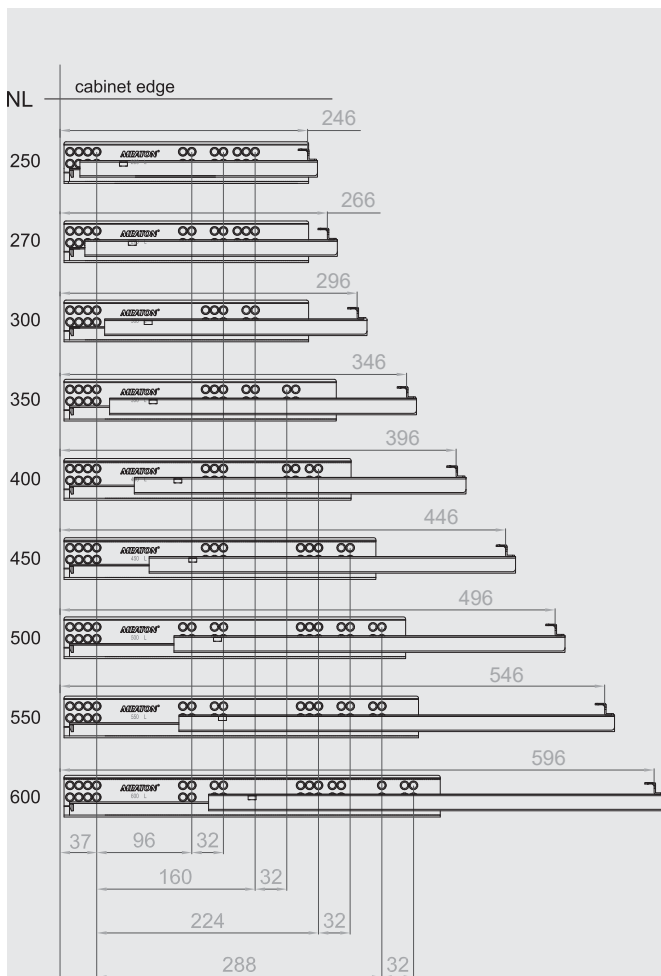
Technical specifications:

- Main material: galvanized sheet.
- Max loading capacity: 25kg.
- Life guarantee: 50,000 cycles.
- Thickness of board: DP2201: ≤16mm
DP4201: ≤19mm

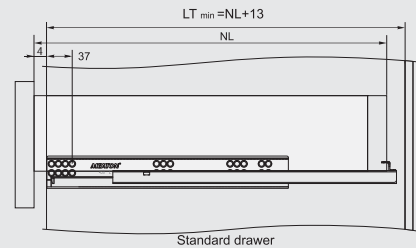
C

Undermount Slide

Installation dimensions

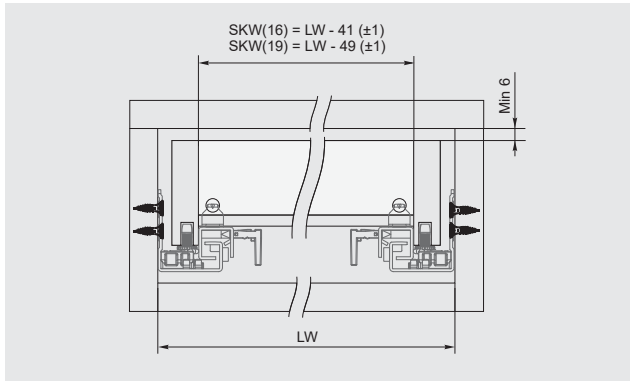


| NL | 250 | 270 | 300 | 350 | 400 | 450 | 500 | 550 | 600 |
|----|-----|-----|-----|-----|-----|-----|-----|-----|-----|
| A | 206 | 221 | 231 | 276 | 301 | 336 | 361 | 406 | 426 |
| B | 186 | 201 | 211 | 256 | 281 | 316 | 341 | 386 | 406 |

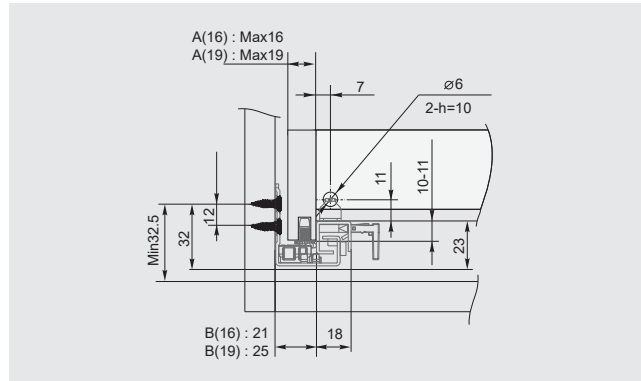


LT - Cabinet inner depth
NL - Nominal slide length
X - Board thickness

2-Fold concealed **push-open** drawer slide(with bolt locking)



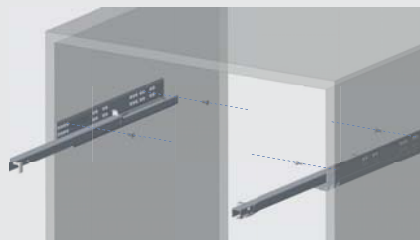
LW - Cabinet inner width
 SKW(16) - Drawer inner width(≤16mm drawer side thickness)
 SKW(19) - Drawer inner width(≤19mm drawer side thickness)



A(16) Be used for slide rails with a drawer side
 A(19) thickness no thinner than 16mm.
 B(16) Be used for slide rails with a drawer side
 B(19) thickness no thinner than 19mm.

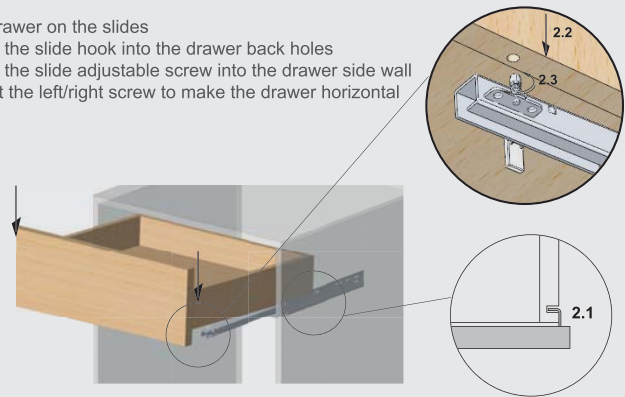
Installation

1. Install the slides on the cabinet



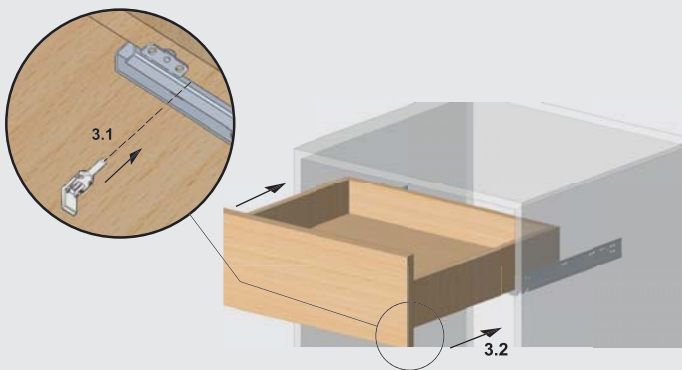
2. Set the drawer on the slides

- 2.1 Insert the slide hook into the drawer back holes
- 2.2 Insert the slide adjustable screw into the drawer side wall
- 2.3 Adjust the left/right screw to make the drawer horizontal



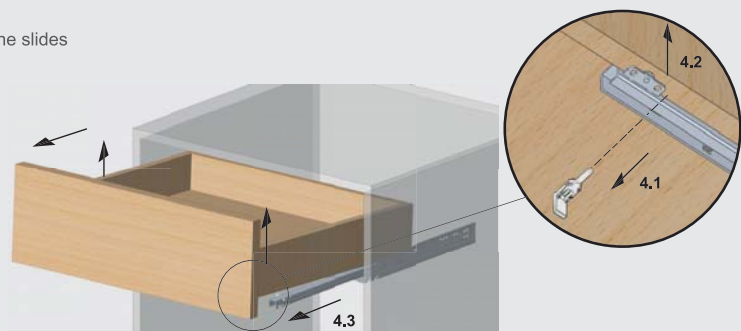
3. Fix the drawer and slides

- 3.1 insert the left/right plastic pins into the pre-drilled holes on the drawer side walls
- 3.2 Close the drawer



4. Disassembly of the drawer

- 4.1 Take out the plastic pin to separate the drawer from the slides
- 4.2 Take up the drawer
- 4.3 Draw out the drawer



PUSH - OPEN

DP2221 & DP4221

2-Fold concealed drawer slide(with bolt locking)

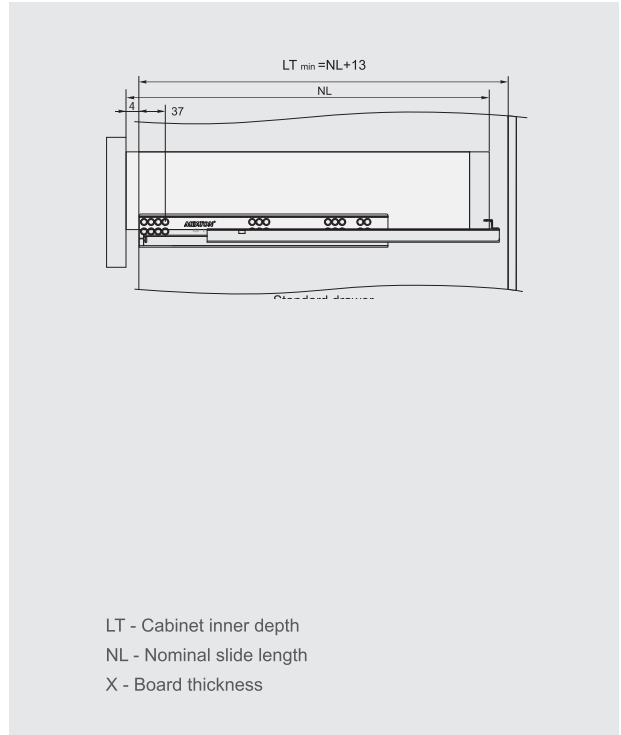
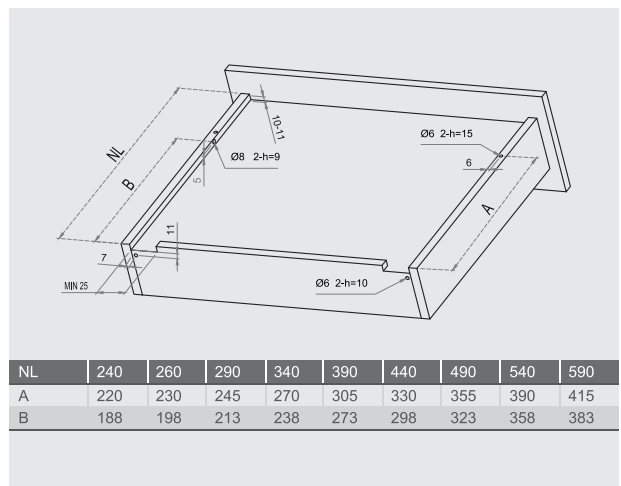
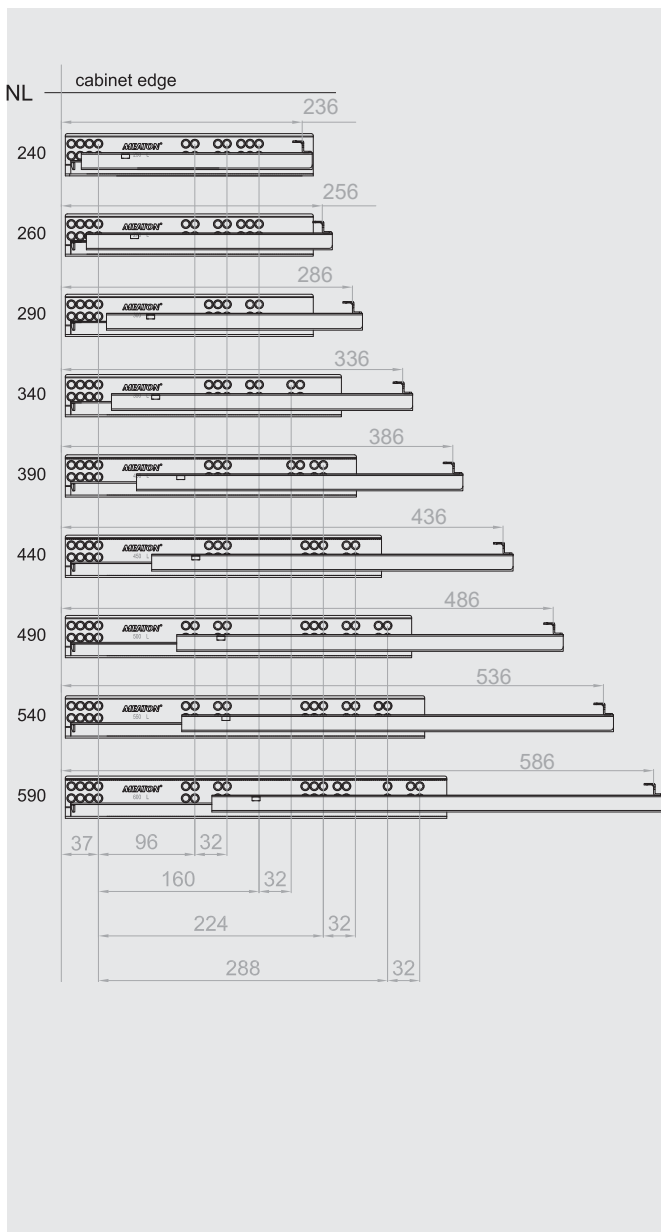


Technical specifications:

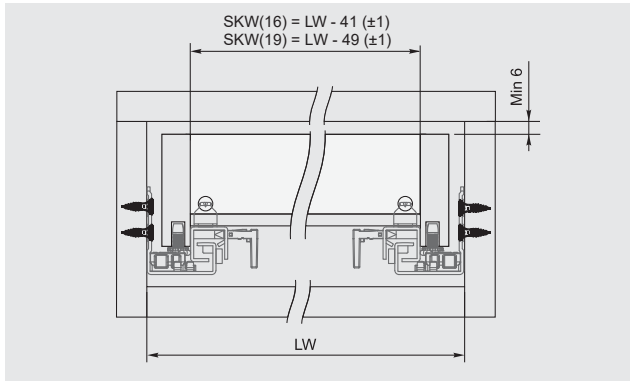
- Main material: galvanized sheet.
- Max loading capacity: 25kg.
- Life guarantee: 50,000 cycles.
- Thickness of board: DP2221: ≤16mm
DP4221: ≤19mm

Undermount Slide

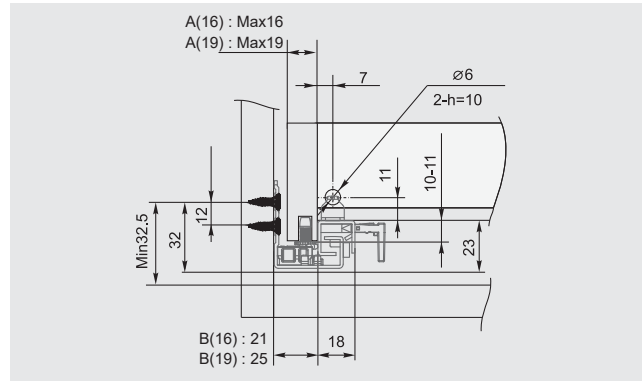
Installation dimensions



2-Fold concealed **push-open** drawer slide(with bolt locking)



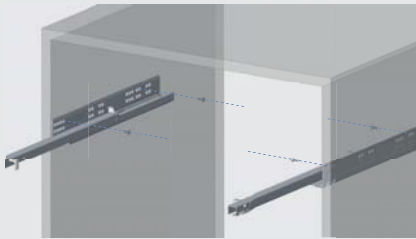
LW - Cabinet inner width
SKW(16) - Drawer inner width(≤16mm drawer side thickness)
SKW(19) - Drawer inner width(≤19mm drawer side thickness)



A(16) Be used for slide rails with a drawer side thickness no thinner than 16mm.
A(19) thickness no thinner than 19mm.
B(16) Be used for slide rails with a drawer side thickness no thinner than 16mm.
B(19) thickness no thinner than 19mm.

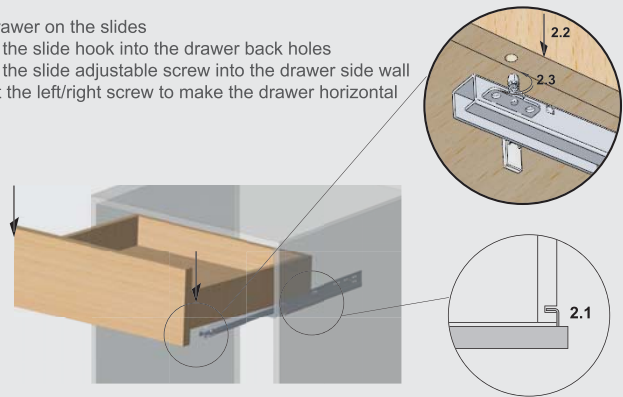
Installation

1. Install the slides on the cabinet



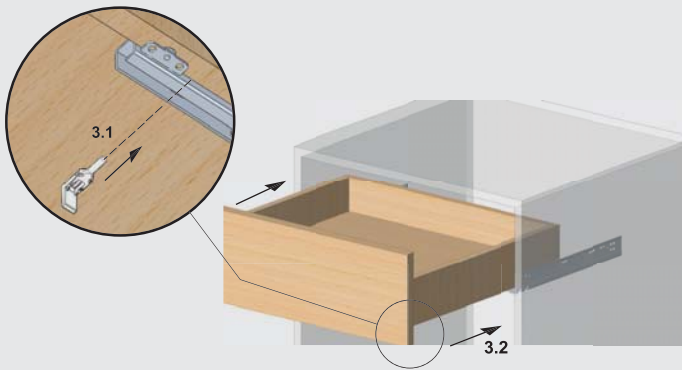
2. Set the drawer on the slides

- 2.1 Insert the slide hook into the drawer back holes
- 2.2 Insert the slide adjustable screw into the drawer side wall
- 2.3 Adjust the left/right screw to make the drawer horizontal



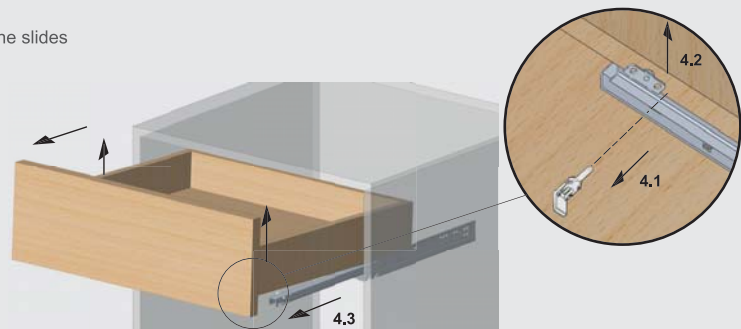
3. Fix the drawer and slides

- 3.1 insert the left/right plastic pins into the pre-drilled holes on the drawer side walls
- 3.2 Close the drawer



4. Disassembly of the drawer

- 4.1 Take out the plastic pin to separate the drawer from the slides
- 4.2 Take up the drawer
- 4.3 Draw out the drawer



PUSH - OPEN

DP2331 & DP4331

2-Fold concealed drawer slide(with handle)



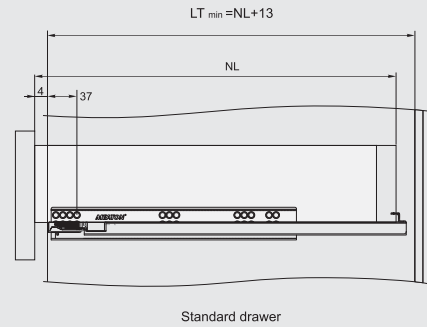
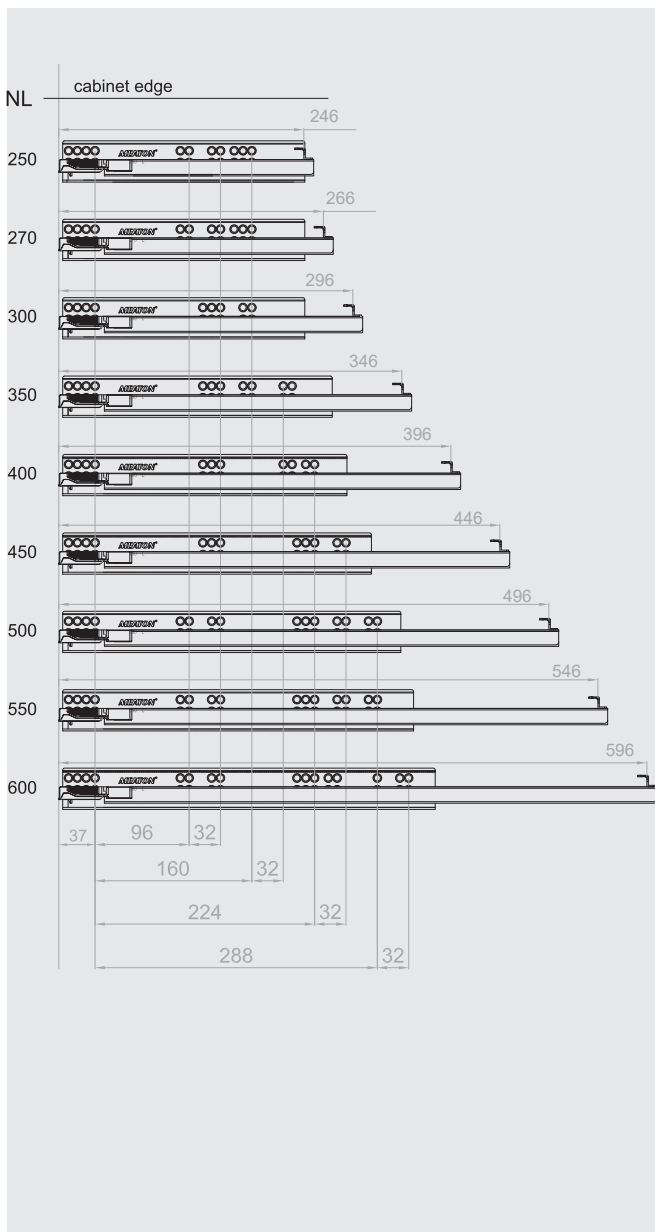
Technical specifications:

- Main material: galvanized sheet.
- Max loading capacity: 25kg.
- Life guarantee: 50,000 cycles.
- Thickness of board: DP2331: ≤16mm
DP4331: ≤19mm



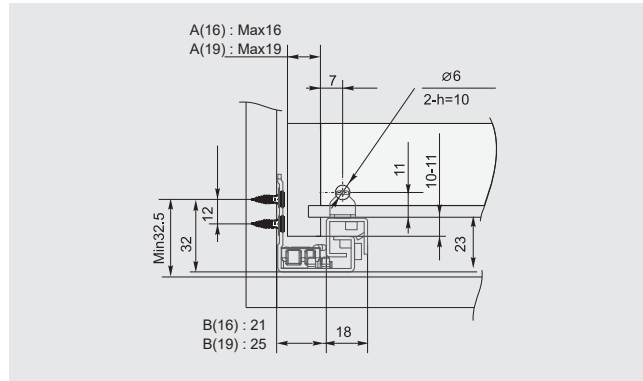
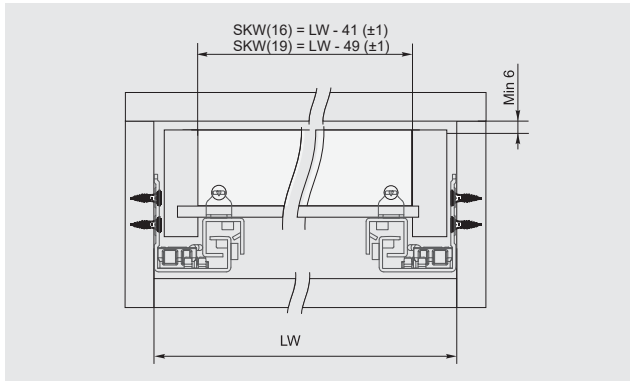
Undermount Slide

Installation dimensions



LT - Cabinet inner depth
 NL - Nominal slide length
 X - Board thickness

2-Fold concealed push-open drawer slide(with handle)

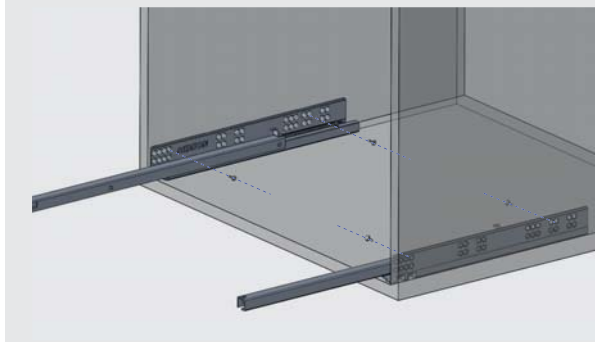


LW - Cabinet inner width
 SKW(16) - Drawer inner width(≤16mm drawer side thickness)
 SKW(19) - Drawer inner width(≤19mm drawer side thickness)

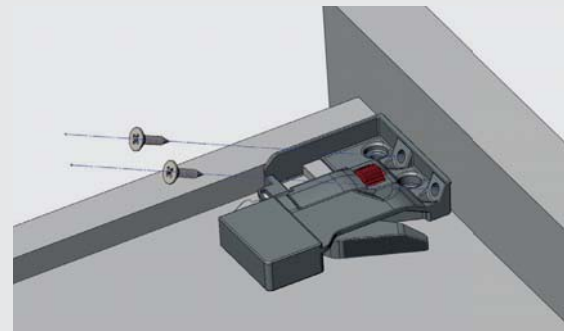
A(16) Be used for slide rails with a drawer side
 A(19) thickness no thinner than 16mm.
 B(16) Be used for slide rails with a drawer side
 B(19) thickness no thinner than 19mm.

Installation

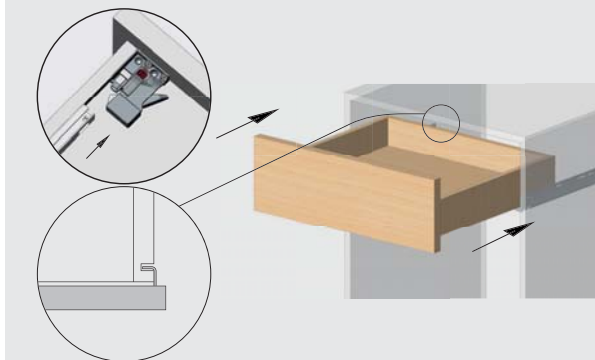
1. Install the slides on the cabinet



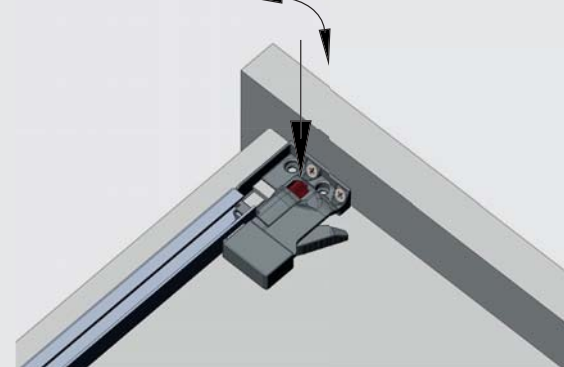
2. Install left/ right handle in the front of the drawer



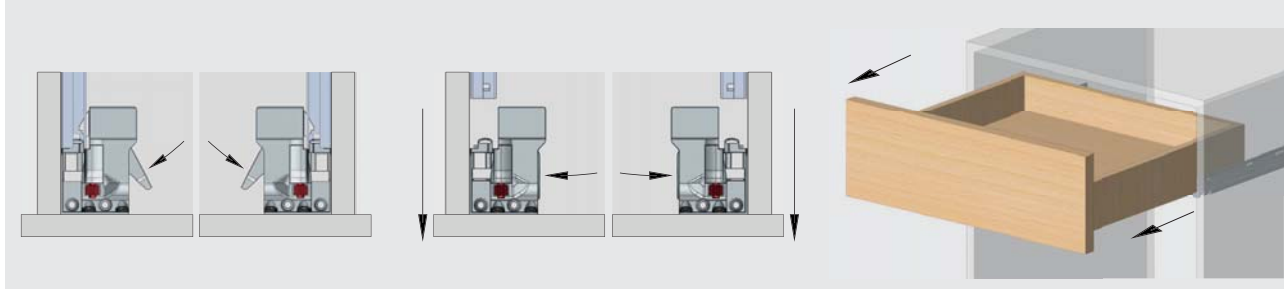
3. Install the drawer on the slides, slide hooks insert into the pre-drilled holes on the drawer back panel



4. Adjust the front panel with plastic wheel on the handle, 0-2.5mm



5. Push the handle lever to unlock the drawer, then pull out the drawer



PUSH - OPEN

DP2341 & DP4341

2-Fold concealed drawer slide(with handle)

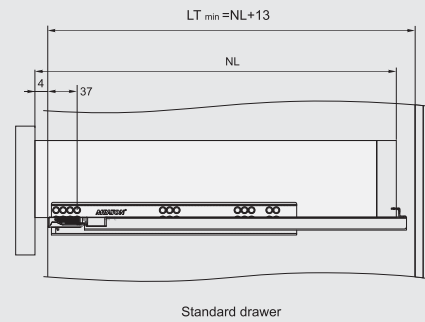
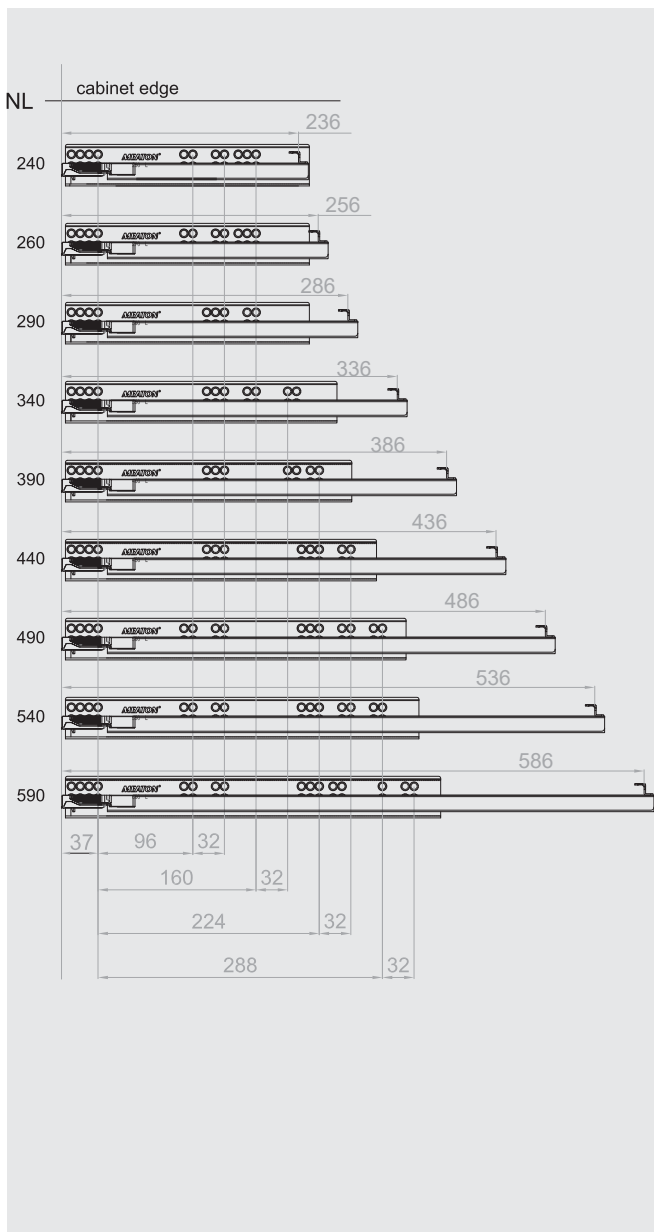


Technical specifications:

- Main material: galvanized sheet.
- Max loading capacity: 25kg.
- Life guarantee: 50,000 cycles.
- Thickness of board: DP2341: ≤16mm
DP4341: ≤19mm

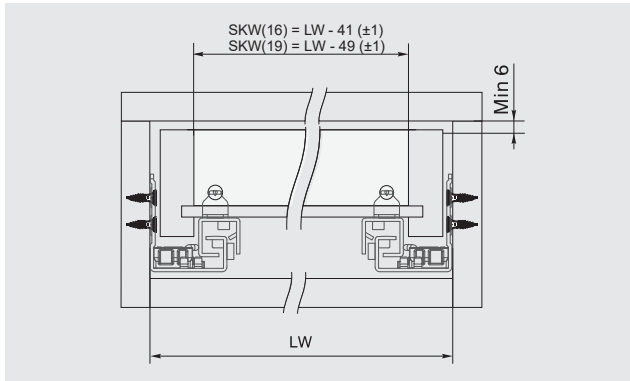
Undermount Slide

Installation dimensions

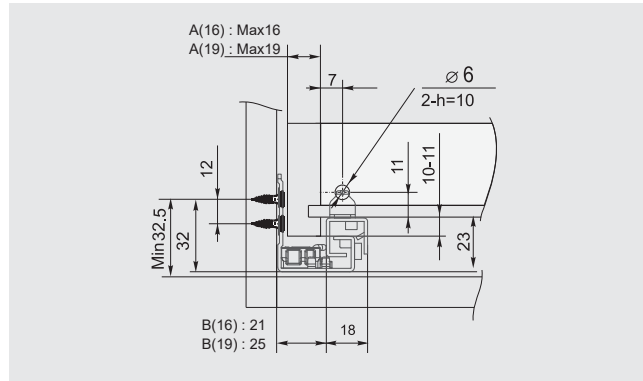


LT - Cabinet inner depth
NL - Nominal slide length
X - Board thickness

2-Fold concealed push-open drawer slide(with handle)



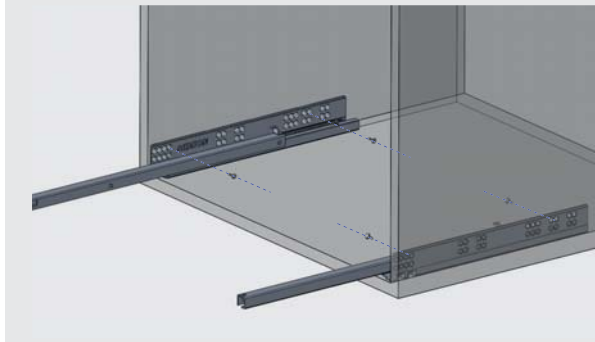
LW - Cabinet inner width
 SKW(16) - Drawer inner width(≤16mm drawer side thickness)
 SKW(19) - Drawer inner width(≤19mm drawer side thickness)



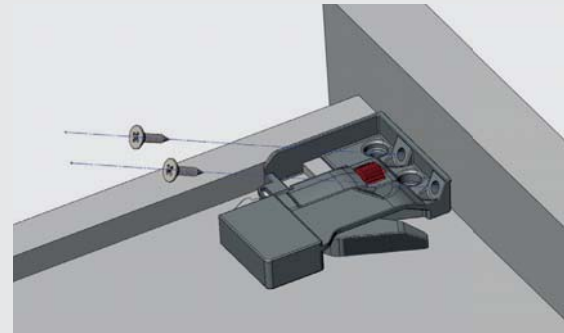
A(16) Be used for slide rails with a drawer side
 A(19) thickness no thinner than 16mm.
 B(16) Be used for slide rails with a drawer side
 B(19) thickness no thinner than 19mm.

Installation

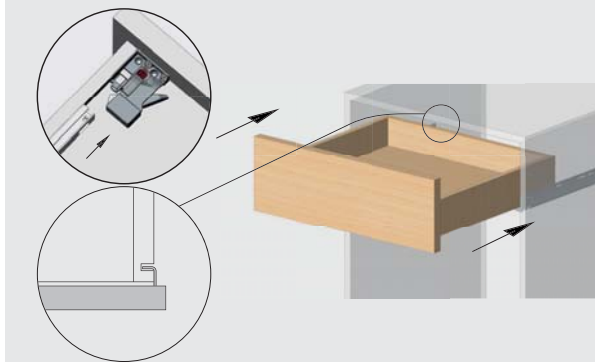
1. Install the slides on the cabinet



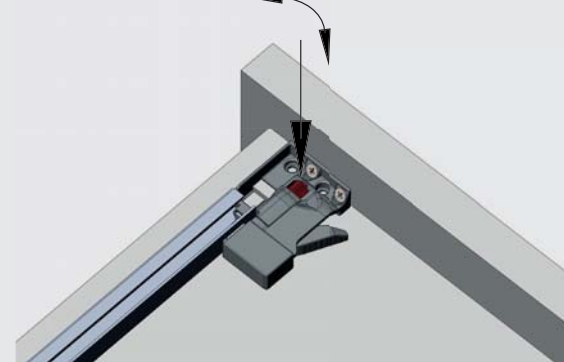
2. Install left/ right handle in the front of the drawer



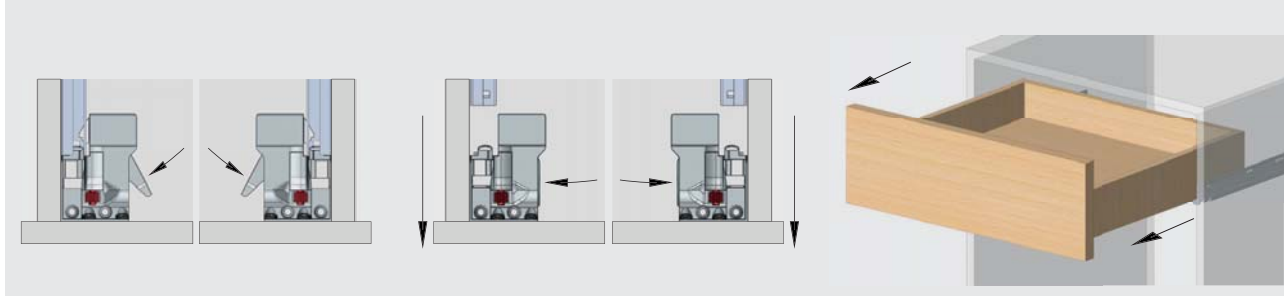
3. Install the drawer on the slides, slide hooks insert into the pre-drilled holes on the drawer back panel



4. Adjust the front panel with plastic wheel on the handle, 0-2.5mm



5. Push the handle lever to unlock the drawer, then pull out the drawer



PUSH - OPEN

DP3201 & DT3201(Synchronized)

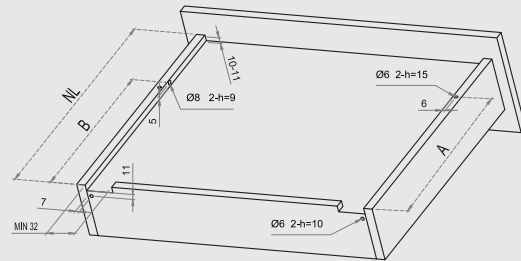
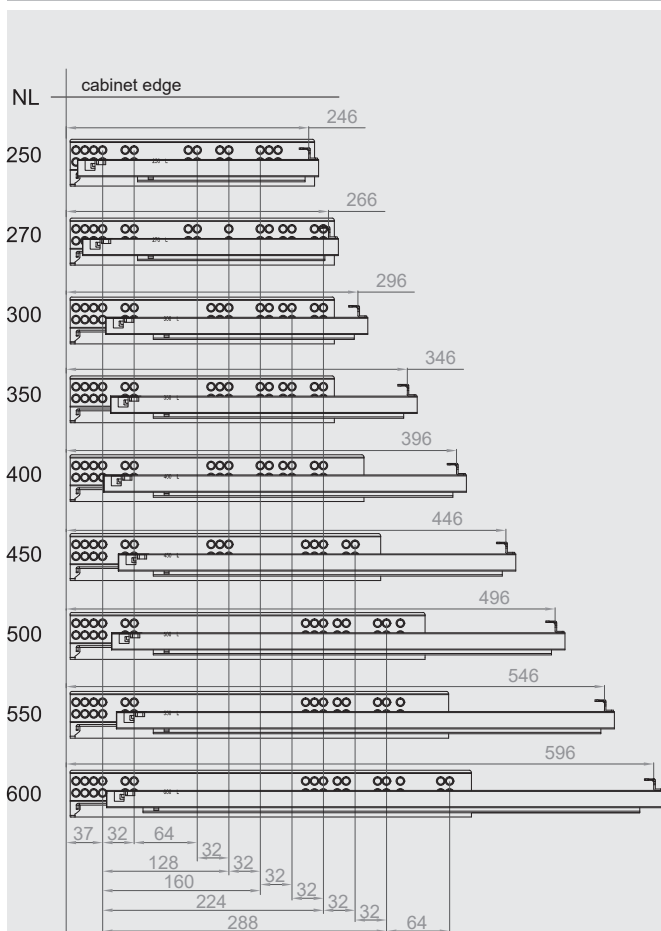
3-Fold concealed drawer slide(16mm with bolt locking)



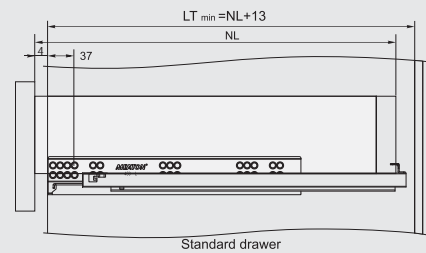
Technical specifications:

- Main material: galvanized sheet.
- Max loading capacity: 30kg.
- Life guarantee: 50,000 cycles.
- Usage: variety of drawers.
- Thickness of board: ≤16mm.

Installation dimensions

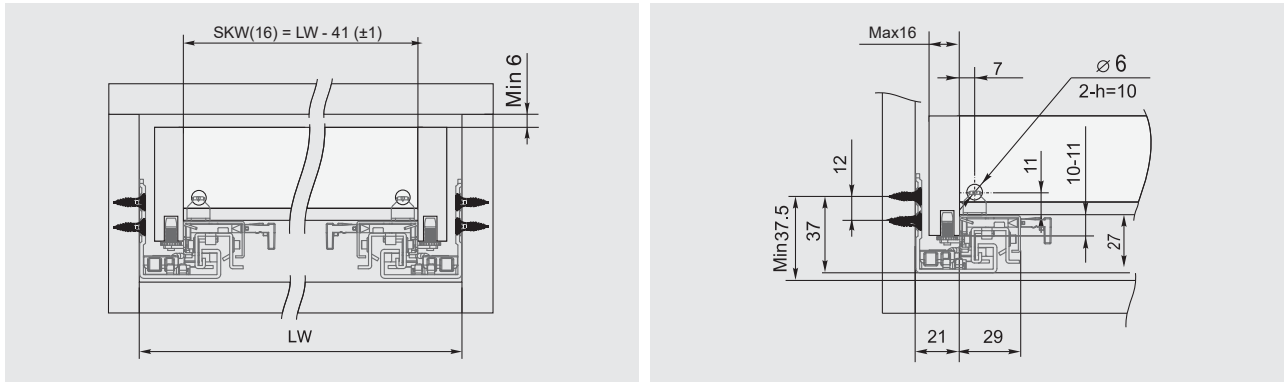


| NL | 250 | 270 | 300 | 350 | 400 | 450 | 500 | 550 | 600 |
|----|-------|-------|-----|-----|-----|-----|-----|-----|-----|
| A | 206 | 221 | 231 | 276 | 301 | 336 | 361 | 406 | 456 |
| B | 220.5 | 235.5 | 242 | 287 | 344 | 379 | 436 | 481 | 531 |



LT - Cabinet inner depth
 NL - Nominal slide length
 X - Board thickness

3-Fold concealed push-open drawer slide(16mm with bolt locking)

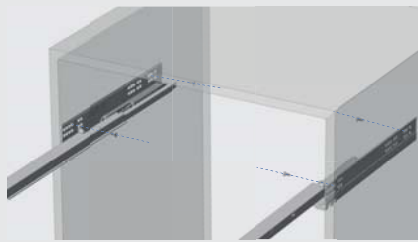


LW - Cabinet inner width
 SKW(16) - Drawer inner width(≤16mm drawer side thickness)

C
 Undermount Slide

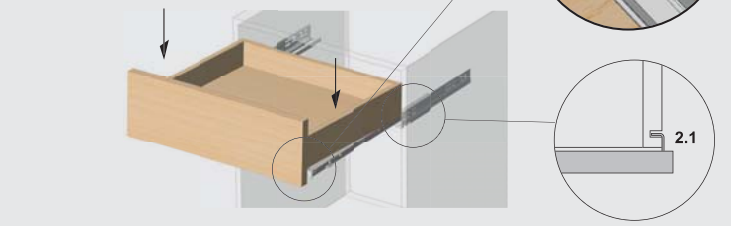
Installation

1. Install the slides on the cabinet



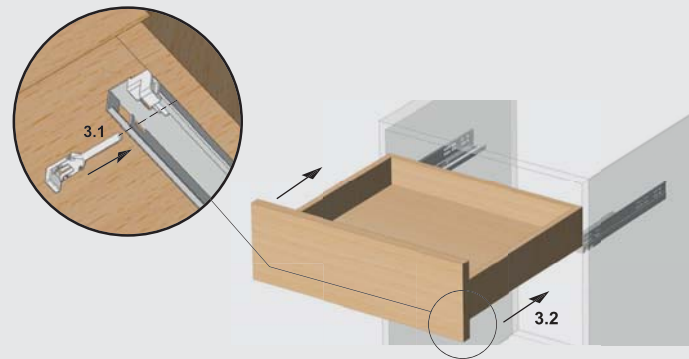
2. Set the drawer on the slides

- 2.1 Insert the slide hook into the drawer back holes
- 2.2 Insert the slide adjustable screw into the drawer side wall
- 2.3 Adjust the left/right screw to make the drawer horizontal



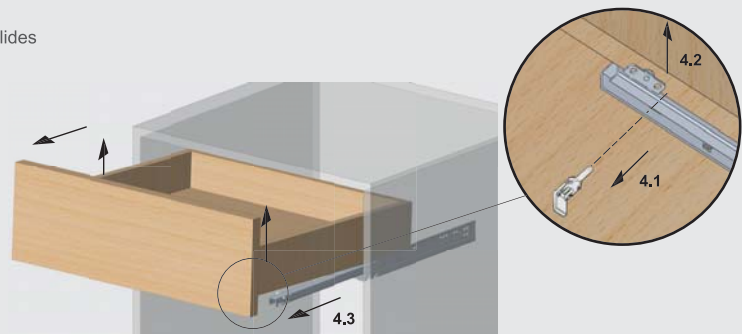
3. Fix the drawer and slides

- 3.1 insert the left/right plastic pins into the pre-drilled holes on the drawer side walls
- 3.2 Close the drawer



4. Disassembly of the drawer

- 4.1 Take out the plastic pin to separate the drawer from the slides
- 4.2 Take up the drawer
- 4.3 Draw out the drawer



PUSH - OPEN

DP5201 & DT5201(Synchronized)

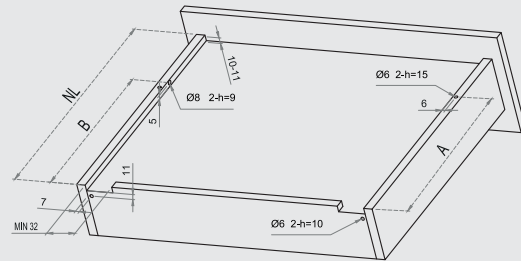
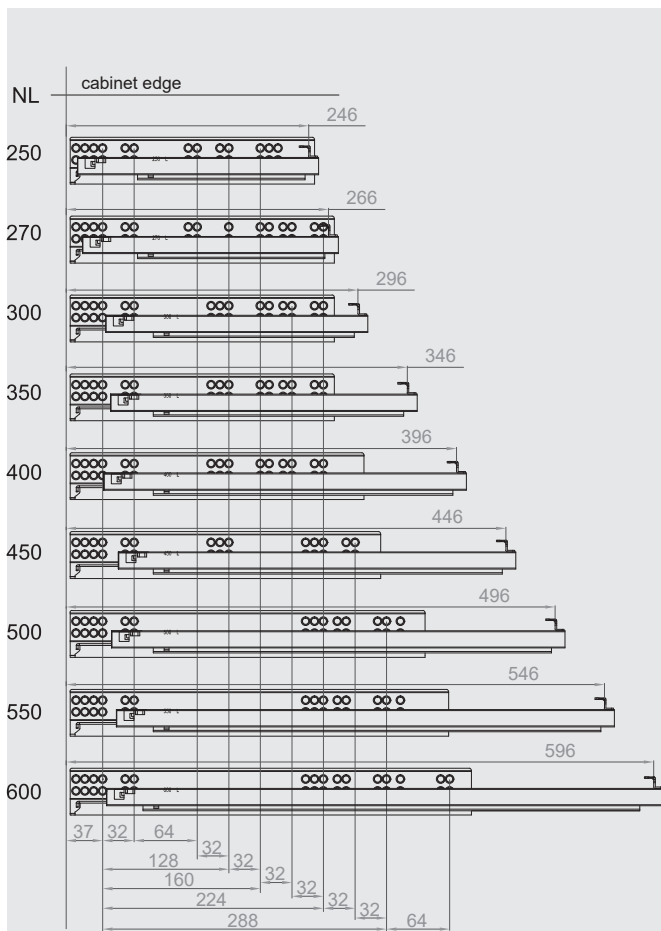
3-Fold concealed drawer slide(19mm with bolt locking)



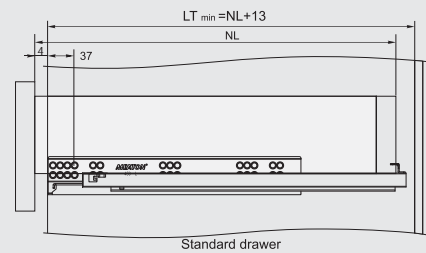
Technical specifications:

- Main material: galvanized sheet.
- Max loading capacity: 30kg.
- Life guarantee: 50,000 cycles.
- Usage: variety of drawers.
- Thickness of board: $\leq 19\text{mm}$.

Installation dimensions

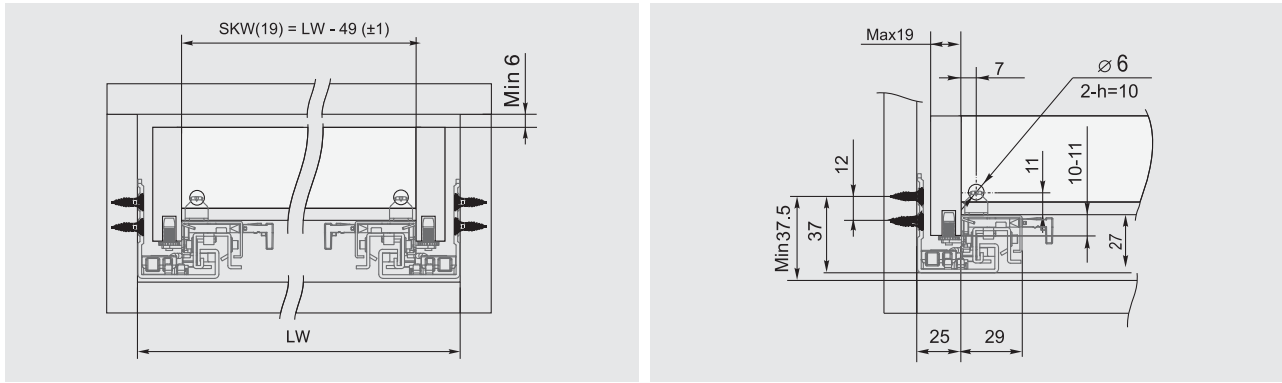


| NL | 250 | 270 | 300 | 350 | 400 | 450 | 500 | 550 | 600 |
|----|-------|-------|-----|-----|-----|-----|-----|-----|-----|
| A | 206 | 221 | 231 | 276 | 301 | 336 | 361 | 406 | 456 |
| B | 220.5 | 235.5 | 242 | 287 | 344 | 379 | 436 | 481 | 531 |



LT - Cabinet inner depth
 NL - Nominal slide length
 X - Board thickness

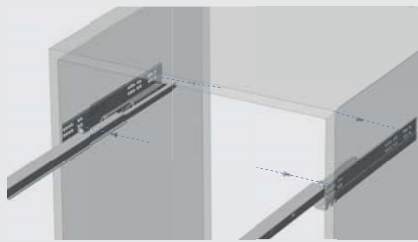
3-Fold concealed push-open drawer slide(19mm with bolt locking)



LW - Cabinet inner width
 SKW(19) - Drawer inner width(≤19mm drawer side thickness)

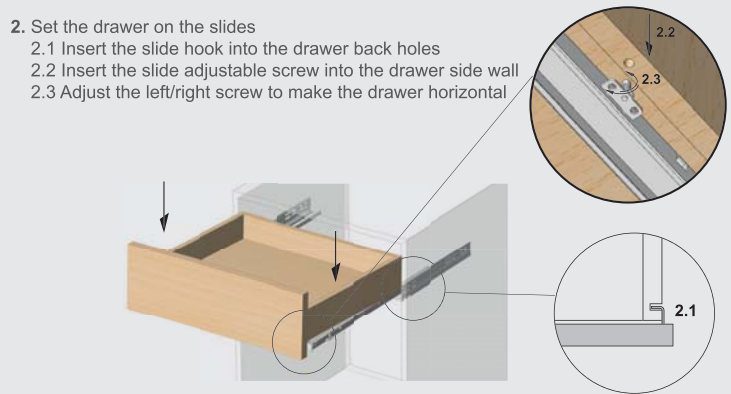
Installation

1. Install the slides on the cabinet



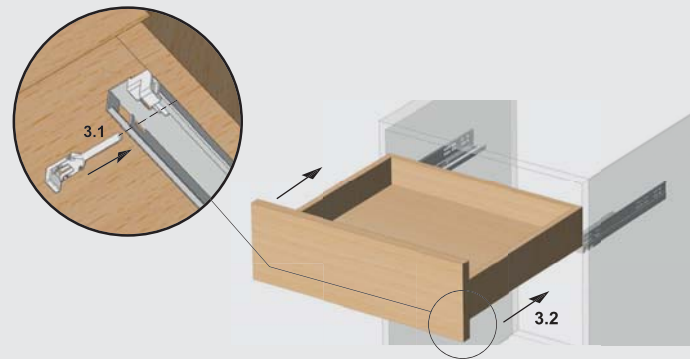
2. Set the drawer on the slides

- 2.1 Insert the slide hook into the drawer back holes
- 2.2 Insert the slide adjustable screw into the drawer side wall
- 2.3 Adjust the left/right screw to make the drawer horizontal



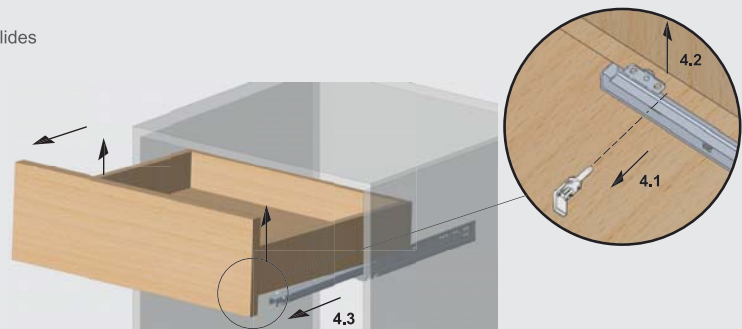
3. Fix the drawer and slides

- 3.1 insert the left/right plastic pins into the pre-drilled holes on the drawer side walls
- 3.2 Close the drawer



4. Disassembly of the drawer

- 4.1 Take out the plastic pin to separate the drawer from the slides
- 4.2 Take up the drawer
- 4.3 Draw out the drawer



PUSH - OPEN

DP3221 & DT3221(Synchronized)

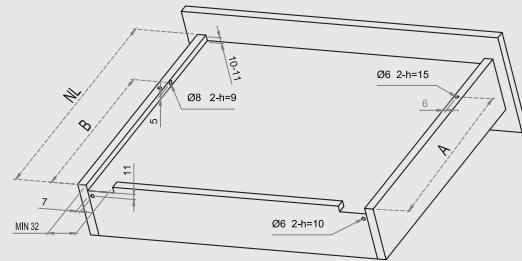
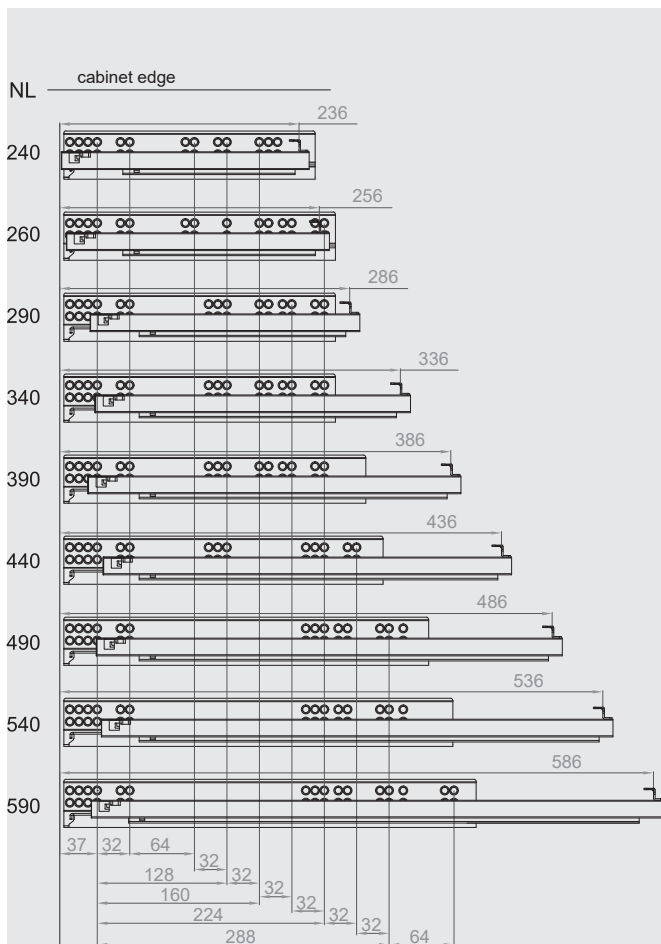
3-Fold concealed drawer slide(16mm with bolt locking)



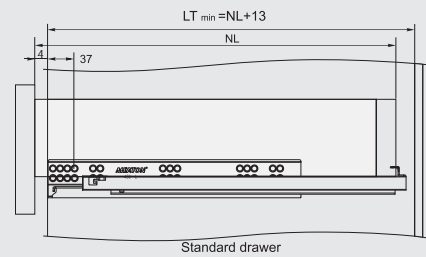
Technical specifications:

- Main material: galvanized sheet.
- Max loading capacity: 30kg.
- Life guarantee: 50,000 cycles.
- Usage: variety of drawers.
- Thickness of board: ≤16mm.

Installation dimensions

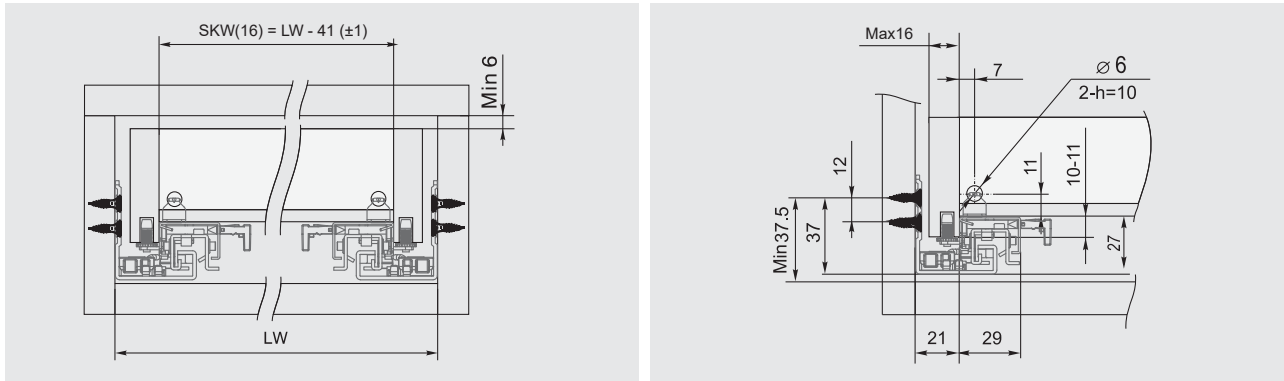


| NL | 240 | 260 | 290 | 340 | 390 | 440 | 490 | 540 | 590 |
|----|-------|-------|-------|-------|-------|-------|-------|-------|-------|
| A | 190 | 205 | 245 | 270 | 305 | 330 | 355 | 390 | 415 |
| B | 200.5 | 215.5 | 255.5 | 280.5 | 319.5 | 369.5 | 419.5 | 469.5 | 519.5 |



LT - Cabinet inner depth
 NL - Nominal slide length
 X - Board thickness

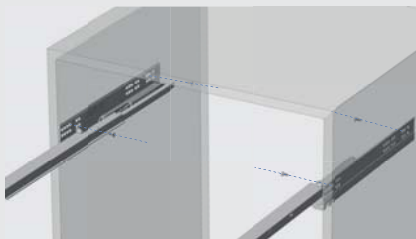
3-Fold concealed push-open drawer slide(16mm with bolt locking)



LW - Cabinet inner width
 SKW(16) - Drawer inner width(≤16mm drawer side thickness)

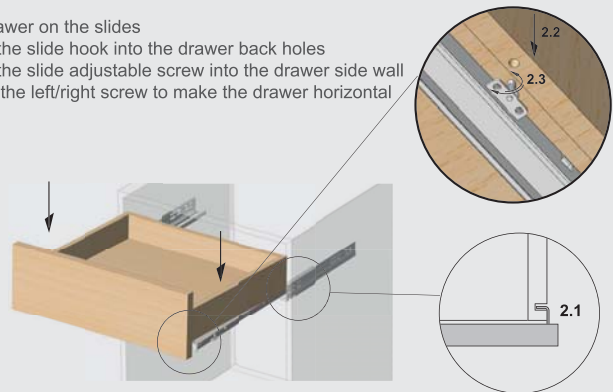
Installation

1. Install the slides on the cabinet



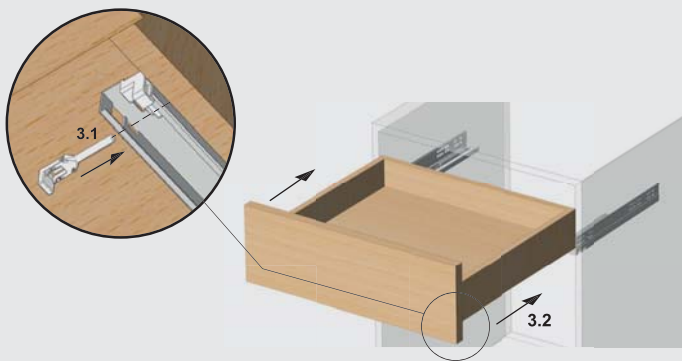
2. Set the drawer on the slides

- 2.1 Insert the slide hook into the drawer back holes
- 2.2 Insert the slide adjustable screw into the drawer side wall
- 2.3 Adjust the left/right screw to make the drawer horizontal



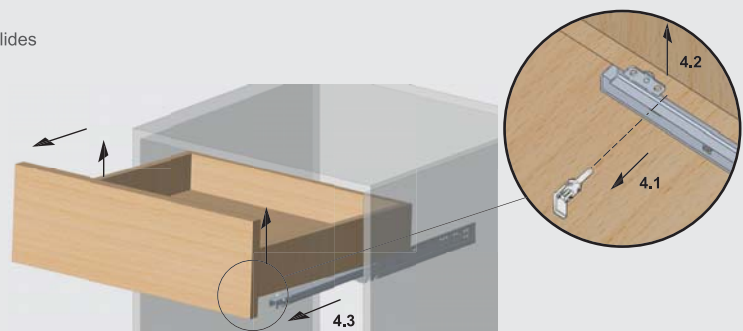
3. Fix the drawer and slides

- 3.1 insert the left/right plastic pins into the pre-drilled holes on the drawer side walls
- 3.2 Close the drawer



4. Disassembly of the drawer

- 4.1 Take out the plastic pin to separate the drawer from the slides
- 4.2 Take up the drawer
- 4.3 Draw out the drawer



PUSH - OPEN

DP5221 & DT5221(Synchronized)

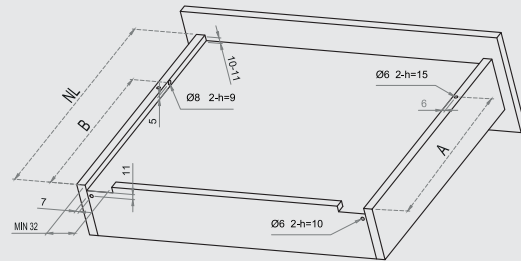
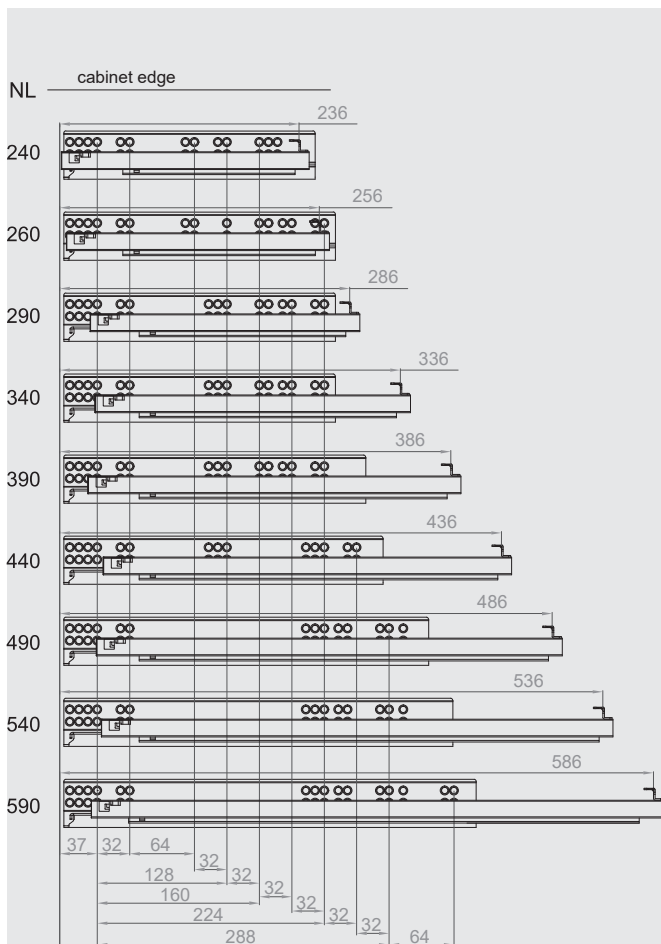
3-Fold concealed drawer slide(19mm with bolt locking)



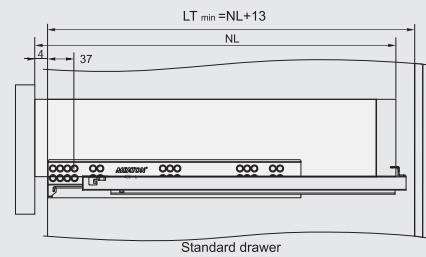
Technical specifications:

- Main material: galvanized sheet.
- Max loading capacity: 30kg.
- Life guarantee: 50,000 cycles.
- Usage: variety of drawers.
- Thickness of board: ≤19mm.

Installation dimensions

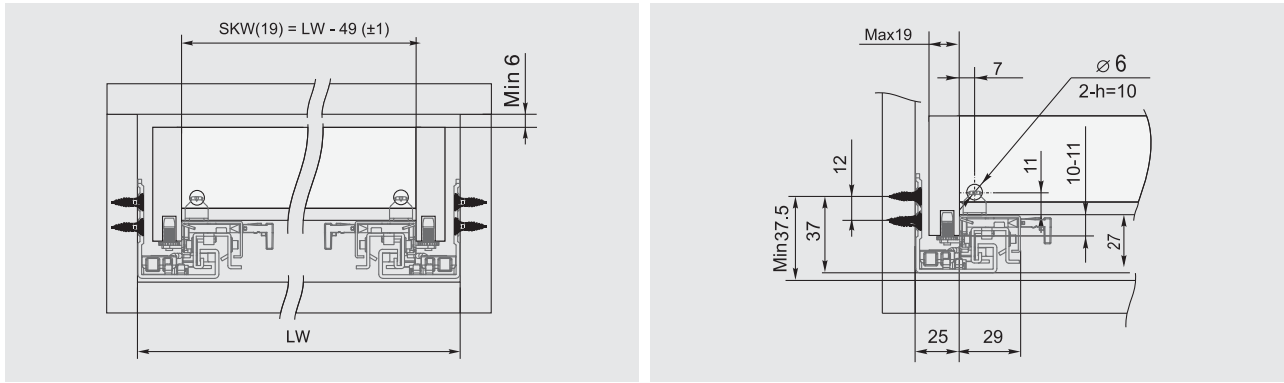


| NL | 240 | 260 | 290 | 340 | 390 | 440 | 490 | 540 | 590 |
|----|-------|-------|-------|-------|-------|-------|-------|-------|-------|
| A | 190 | 205 | 245 | 270 | 305 | 330 | 355 | 390 | 415 |
| B | 200.5 | 215.5 | 255.5 | 280.5 | 319.5 | 369.5 | 419.5 | 469.5 | 519.5 |



LT - Cabinet inner depth
 NL - Nominal slide length
 X - Board thickness

3-Fold concealed push-open drawer slide(19mm with bolt locking)

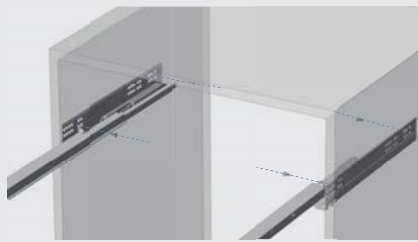


LW - Cabinet inner width
 SKW(19) - Drawer inner width(≤19mm drawer side thickness)

C
Undermount Slide

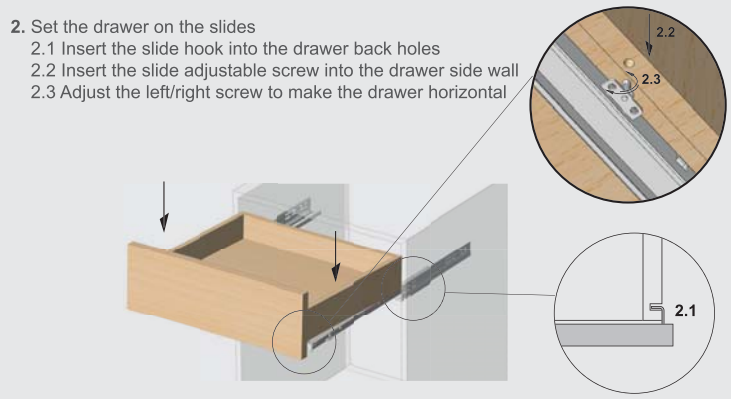
Installation

1. Install the slides on the cabinet



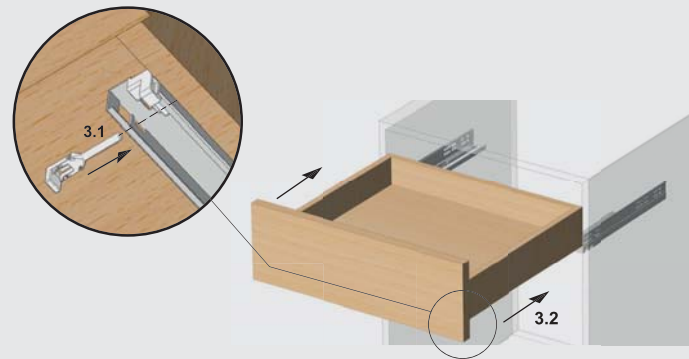
2. Set the drawer on the slides

- 2.1 Insert the slide hook into the drawer back holes
- 2.2 Insert the slide adjustable screw into the drawer side wall
- 2.3 Adjust the left/right screw to make the drawer horizontal



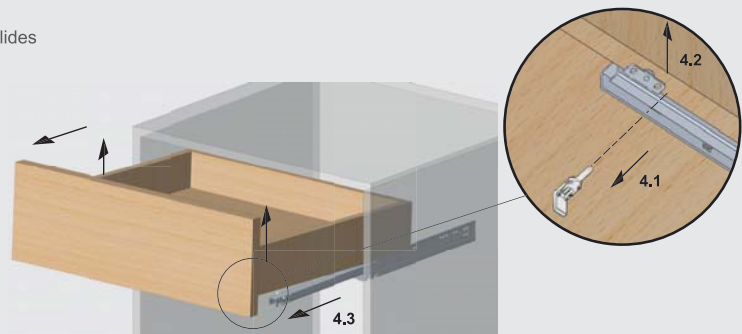
3. Fix the drawer and slides

- 3.1 insert the left/right plastic pins into the pre-drilled holes on the drawer side walls
- 3.2 Close the drawer



4. Disassembly of the drawer

- 4.1 Take out the plastic pin to separate the drawer from the slides
- 4.2 Take up the drawer
- 4.3 Draw out the drawer



PUSH - OPEN

DP3331 & DT3331(Synchronized)

3-Fold concealed drawer slide(16mm with handle)

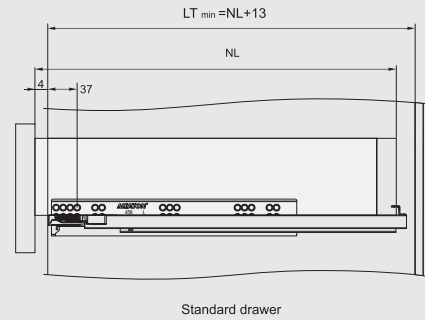
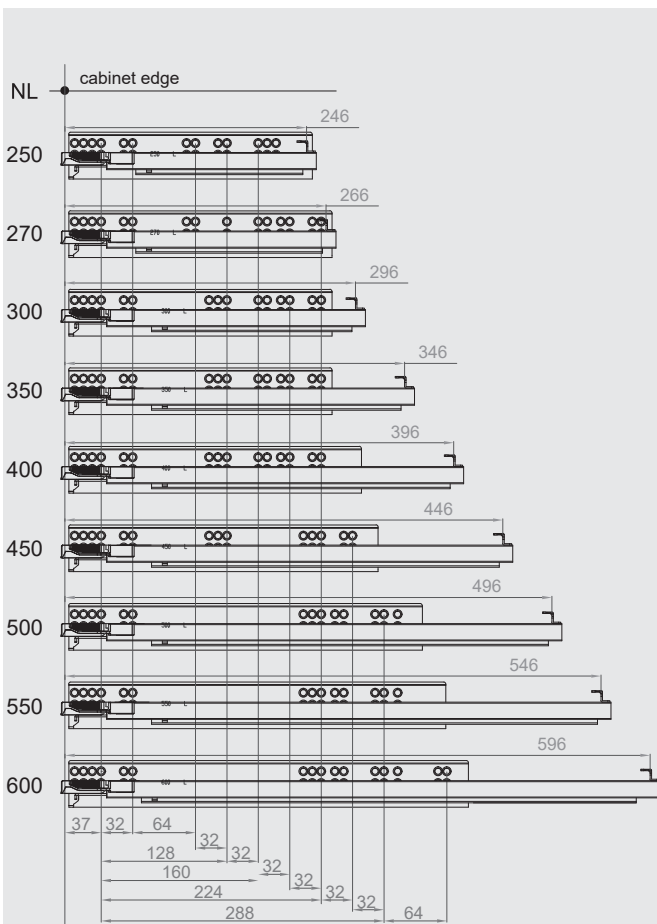


Technical specifications:

- Main material: galvanized sheet.
- Max loading capacity: 30kg.
- Life guarantee:50,000 cycles.
- Thickness of board: ≤16mm.

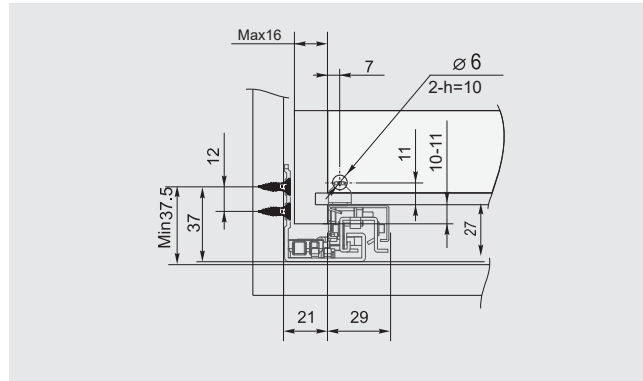
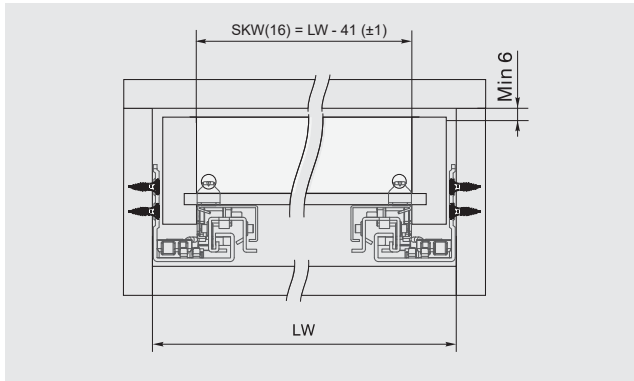
Undermount Slide

Installation dimensions



LT - Cabinet inner depth
 NL - Nominal slide length
 X - Board thickness

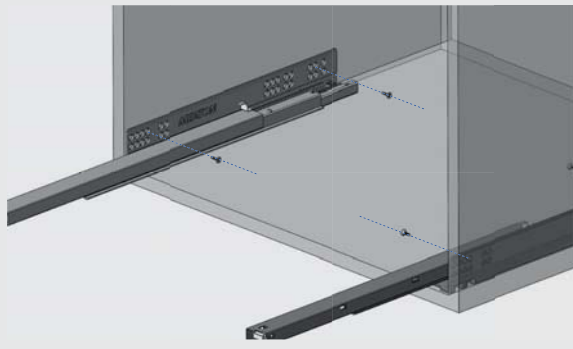
3-Fold concealed push-open drawer slide(16mm with handle)



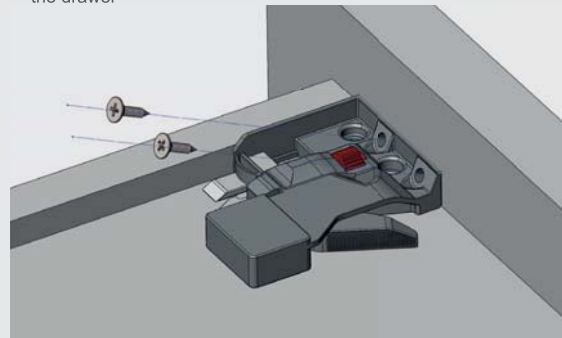
LW - Cabinet inner width
 SKW(16) - Drawer inner width(≤16mm drawer side thickness)

Installation

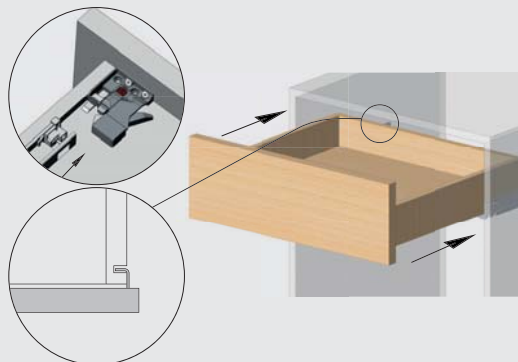
1. Install the slides on the cabinet



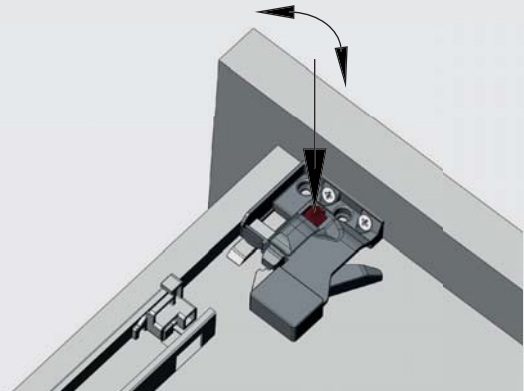
2. Install left/ right handle in the front of the drawer



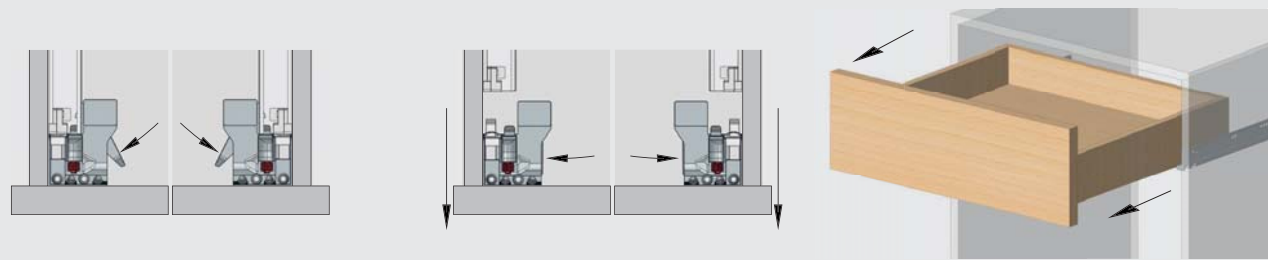
3. Install the drawer on the slides, slide hooks insert into the pre-drilled holes on the drawer back panel



4. Adjust the front panel with plastic wheel on the handle, 0-2.5mm



5. Push the handle lever to unlock the drawer, then pull out the drawer



PUSH - OPEN

DP5331 & DT5331(Synchronized)

3-Fold concealed drawer slide(19mm with handle)

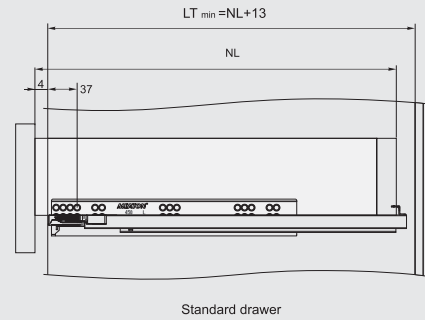
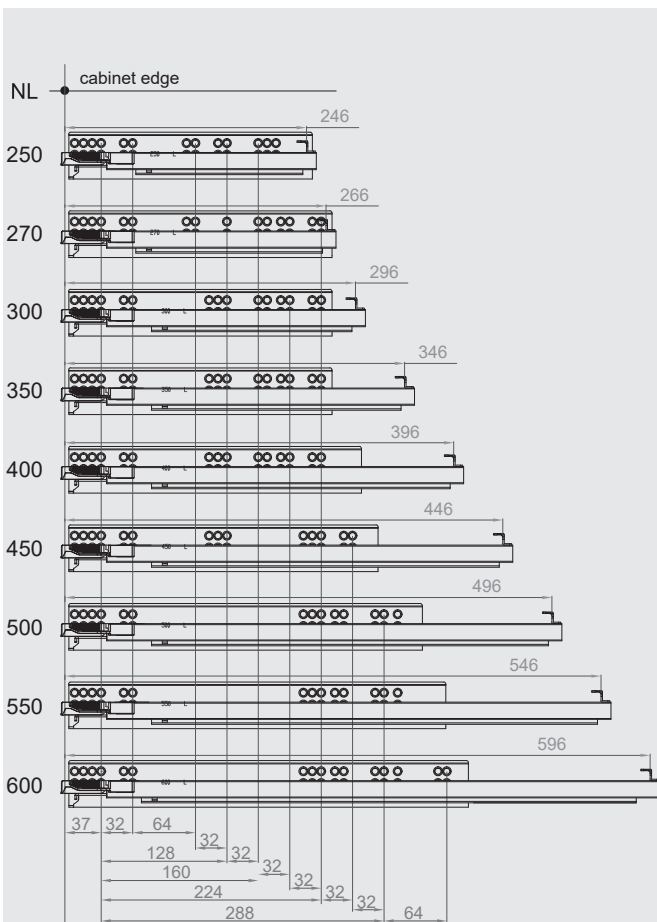


Technical specifications:

- Main material: galvanized sheet.
- Max loading capacity: 30kg.
- Life guarantee:50,000 cycles.
- Thickness of board: ≤19mm.

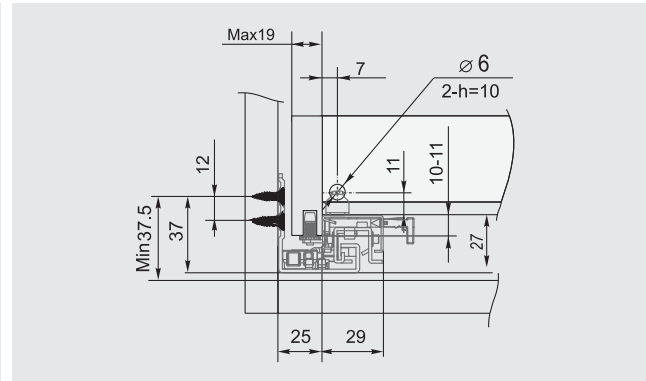
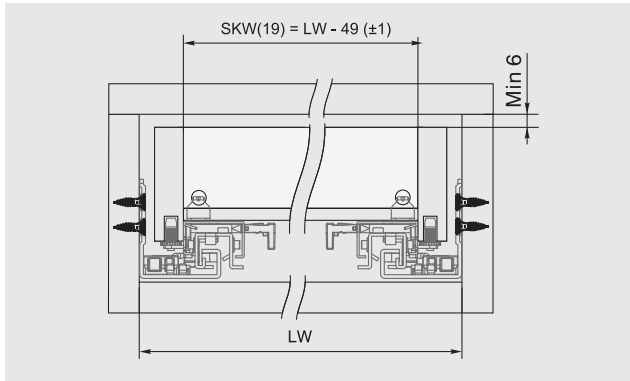
Undermount Slide

Installation dimensions



LT - Cabinet inner depth
 NL - Nominal slide length
 X - Board thickness

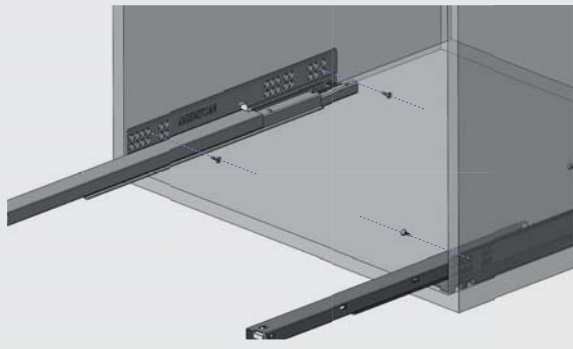
3-Fold concealed push-open drawer slide(19mm with handle)



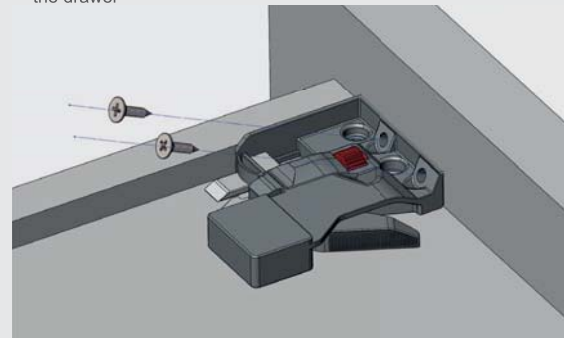
LW - Cabinet inner width
 SKW(19) - Drawer inner width(≤19mm drawer side thickness)

Installation

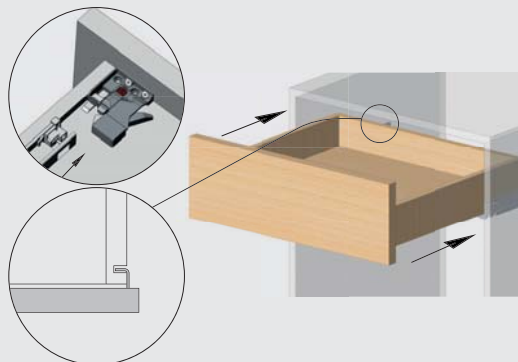
1. Install the slides on the cabinet



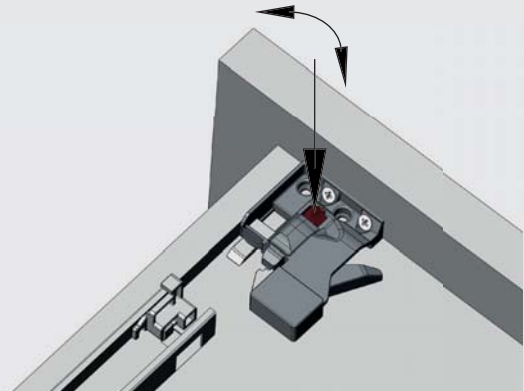
2. Install left/ right handle in the front of the drawer



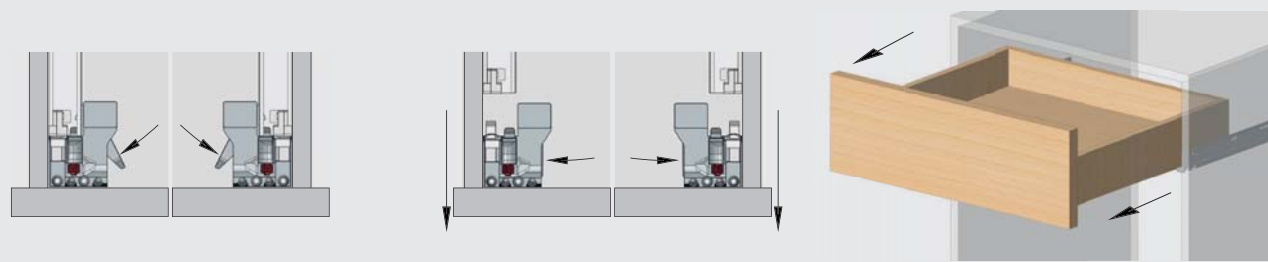
3. Install the drawer on the slides, slide hooks insert into the pre-drilled holes on the drawer back panel



4. Adjust the front panel with plastic wheel on the handle, 0-2.5mm



5. Push the handle lever to unlock the drawer, then pull out the drawer



PUSH - OPEN

DP3341 & DT3341(Synchronized)

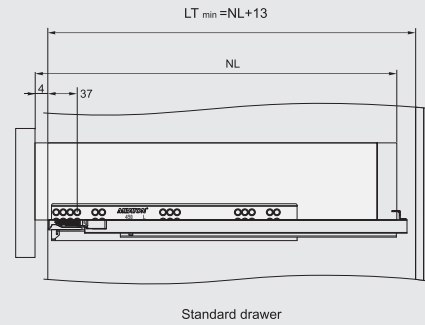
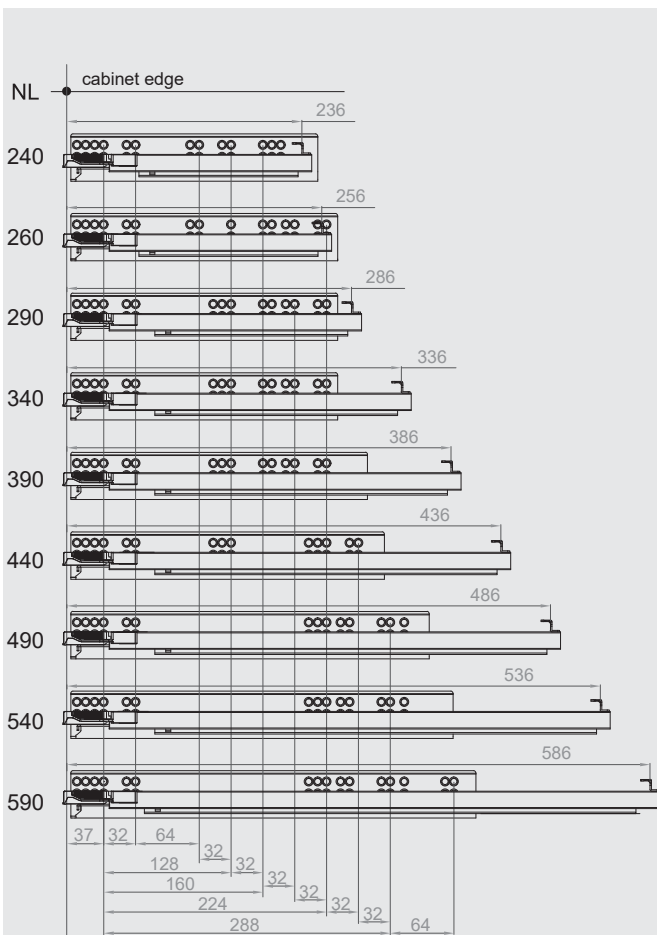
3-Fold concealed drawer slide(16mm with handle)



Technical specifications:

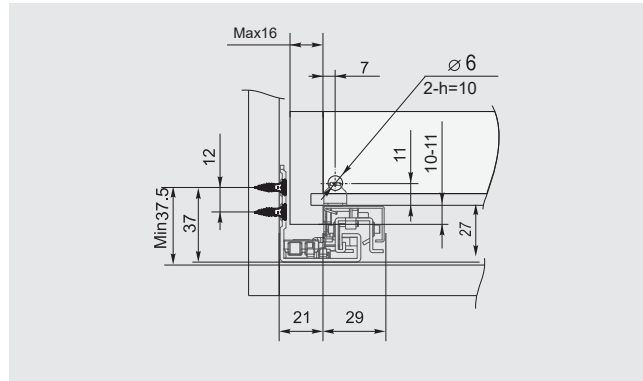
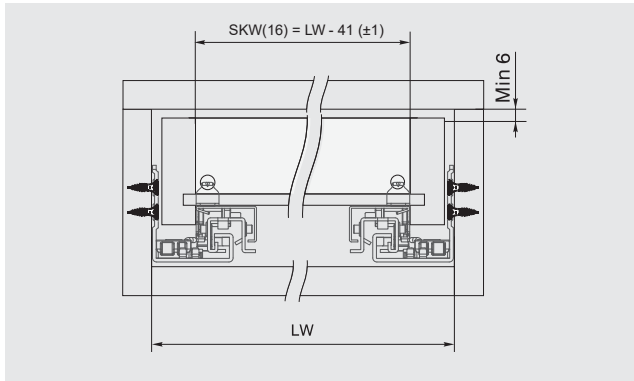
- Main material: galvanized sheet.
- Max loading capacity: 30kg.
- Life guarantee:50,000 cycles.
- Thickness of board: ≤16mm.

Installation dimensions



LT - Cabinet inner depth
 NL - Nominal slide length
 X - Board thickness

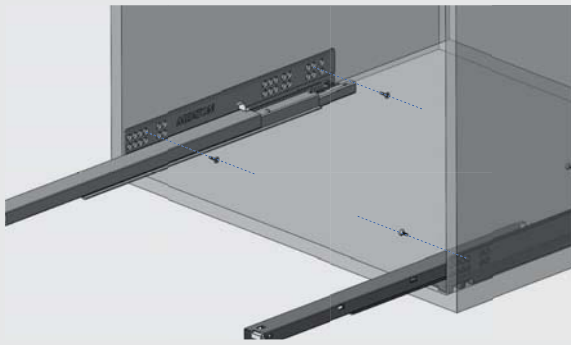
3-Fold concealed push-open drawer slide(16mm with handle)



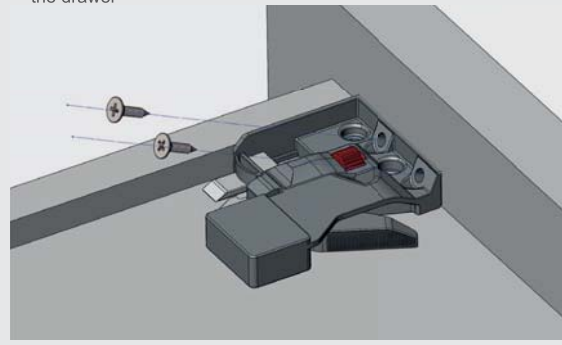
LW - Cabinet inner width
 SKW(16) - Drawer inner width(≤16mm drawer side thickness)

Installation

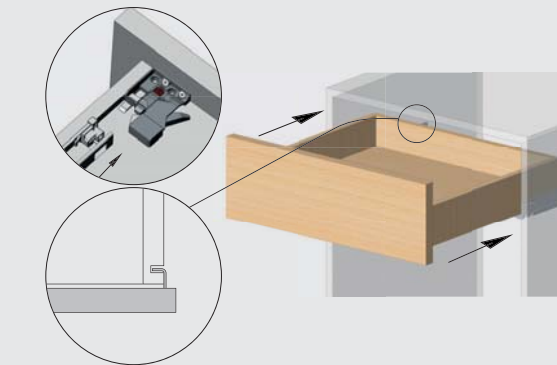
1. Install the slides on the cabinet



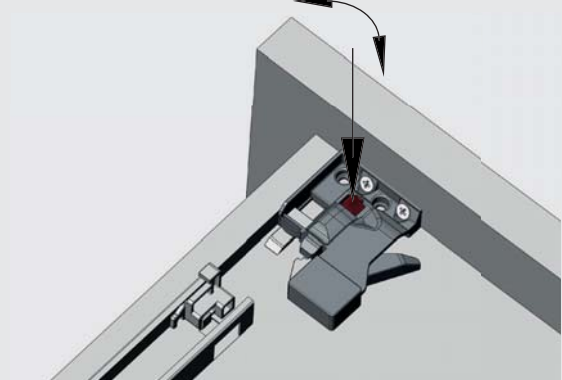
2. Install left/ right handle in the front of the drawer



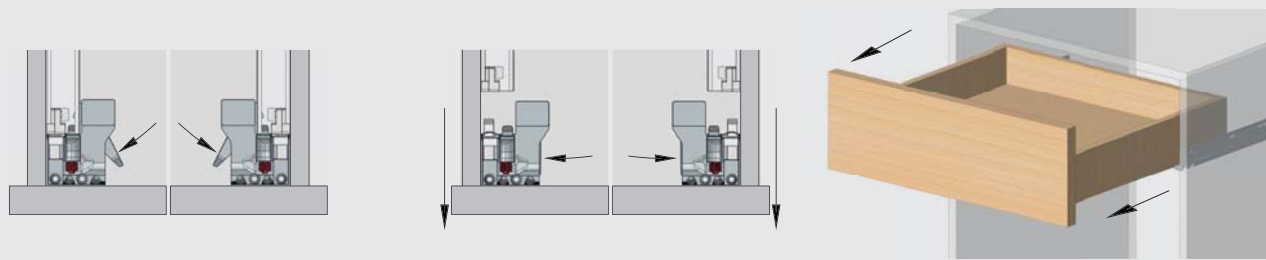
3. Install the drawer on the slides, slide hooks insert into the pre-drilled holes on the drawer back panel



4. Adjust the front panel with plastic wheel on the handle, 0-2.5mm



5. Push the handle lever to unlock the drawer, then pull out the drawer



PUSH - OPEN

DP5341 & DT5341(Synchronized)

3-Fold concealed drawer slide(19mm with handle)

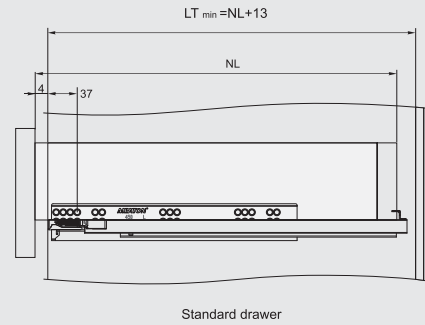
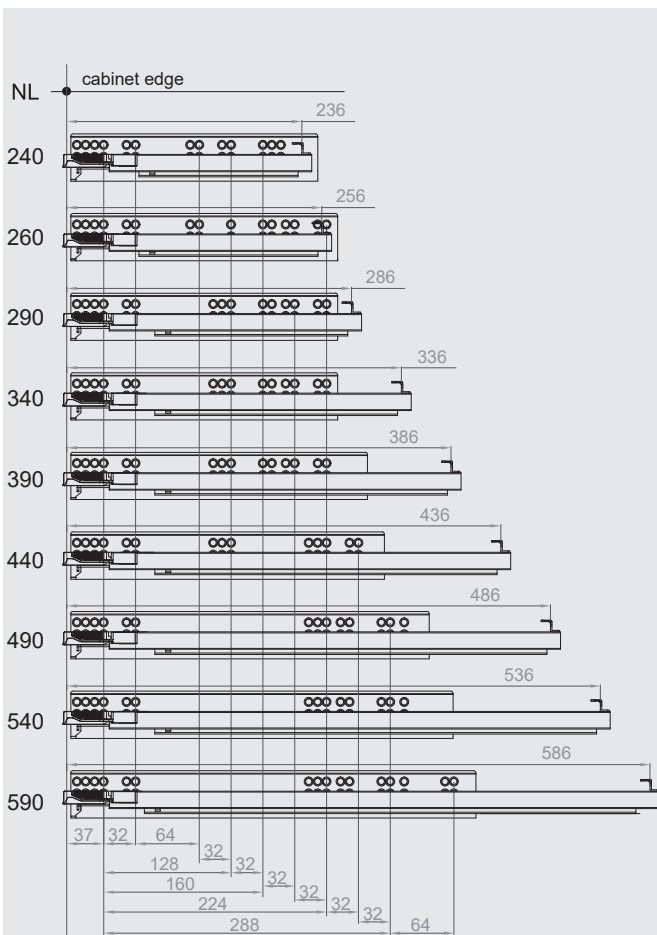


Technical specifications:

- Main material: galvanized sheet.
- Max loading capacity: 30kg.
- Life guarantee: 50,000 cycles.
- Thickness of board: ≤19mm.

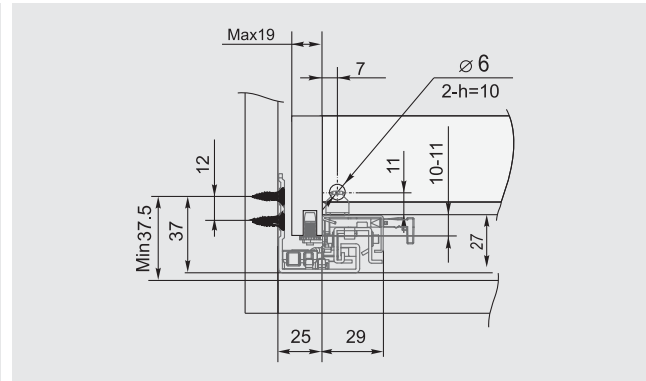
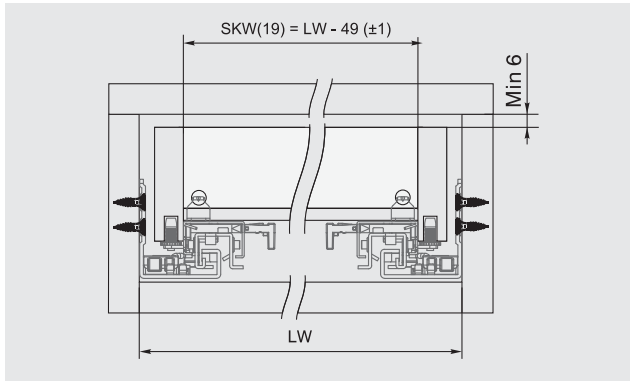
Undermount Slide

Installation dimensions



LT - Cabinet inner depth
 NL - Nominal slide length
 X - Board thickness

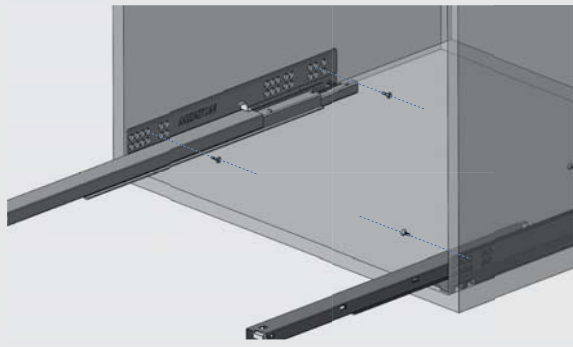
3-Fold concealed push-open drawer slide(19mm with handle)



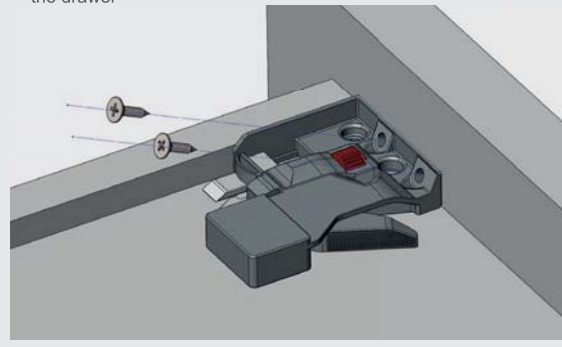
LW - Cabinet inner width
 SKW(19) - Drawer inner width(≤19mm drawer side thickness)

Installation

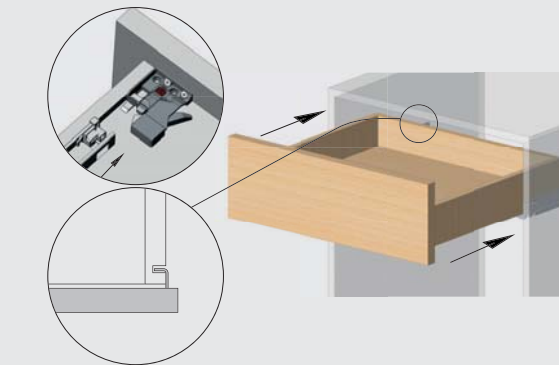
1. Install the slides on the cabinet



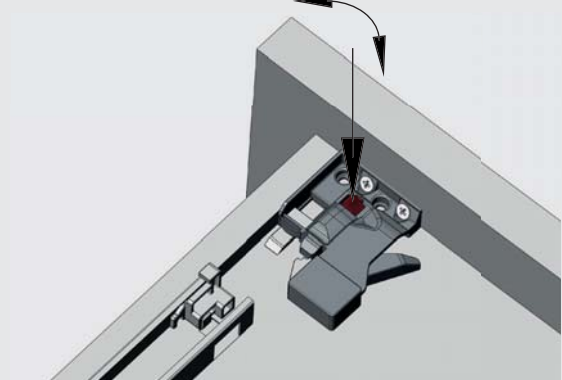
2. Install left/ right handle in the front of the drawer



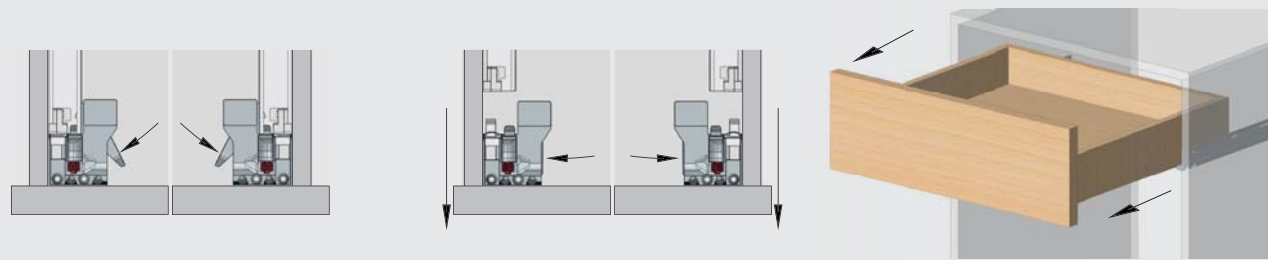
3. Install the drawer on the slides, slide hooks insert into the pre-drilled holes on the drawer back panel



4. Adjust the front panel with plastic wheel on the handle, 0-2.5mm



5. Push the handle lever to unlock the drawer, then pull out the drawer



PUSH - OPEN

DP3326

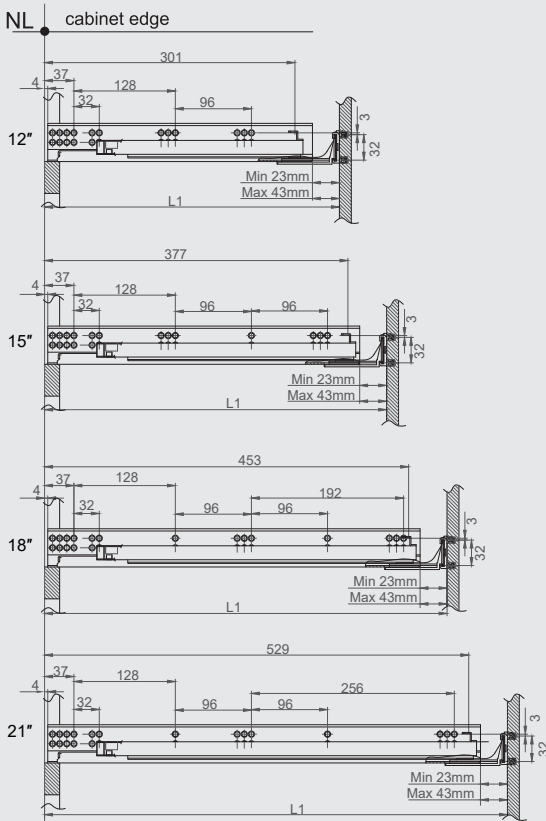
3-Fold concealed drawer slide(16mm with handle) - American type



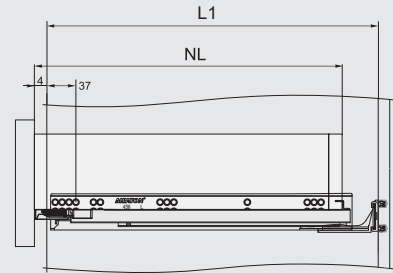
Technical specifications:

- Main material: galvanized sheet.
- Max loading capacity: 30kg.
- Life guarantee: 50,000 cycles.
- Usage: variety of drawers.
- Thickness of board: ≤16mm.

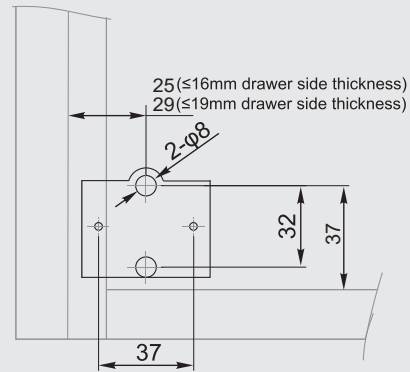
Installation dimensions



| NL | NL | Min L1 | Max L1 |
|-----|-----|--------|--------|
| 12" | 305 | 338 | 358 |
| 15" | 381 | 416 | 436 |
| 18" | 457 | 494 | 514 |
| 21" | 533 | 568 | 588 |

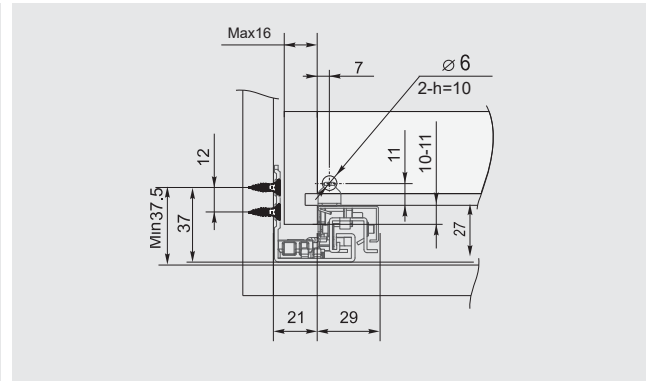
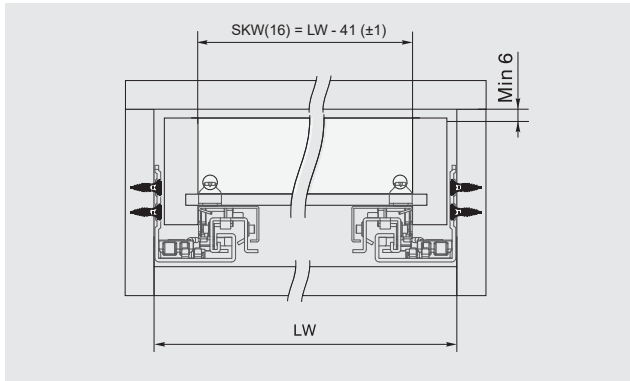


Standard drawer
NL - nominal slide length



LT - Cabinet inner depth
NL - Nominal slide length
X - Board thickness

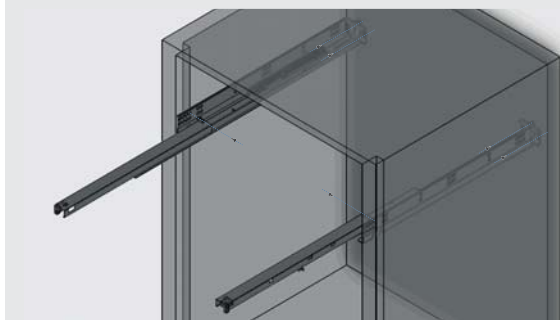
3-Fold concealed push-open drawer slide(16mm with handle) - American type



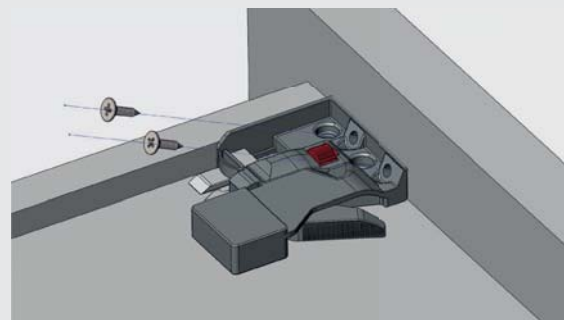
LW - Cabinet inner width
 SKW(16) - Drawer inner width(≤16mm drawer side thickness)

Installation

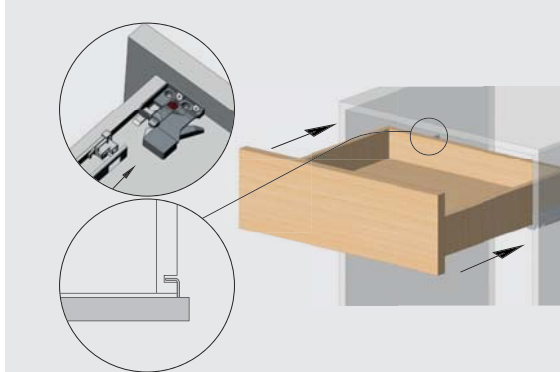
1. Install the slides on the cabinet



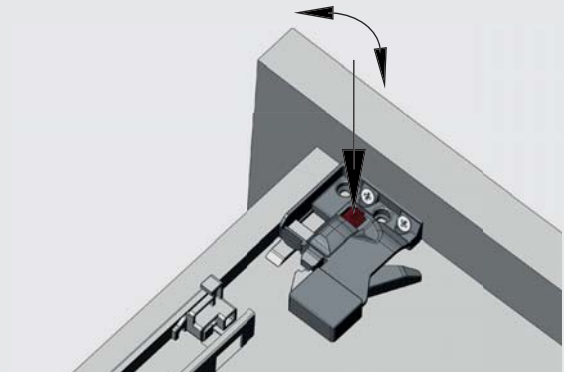
2. Install left/ right handle in the front of the drawer



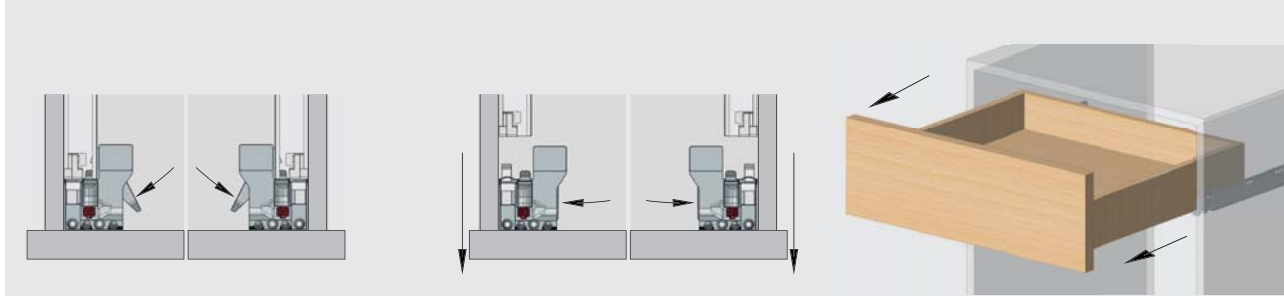
3. Install the drawer on the slides, slide hooks insert into the pre-drilled holes on the drawer back panel



4. Adjust the front panel with plastic wheel on the handle, 0-2.5mm



5. Push the handle lever to unlock the drawer, then pull out the drawer



PUSH - OPEN

DP5326

3-Fold concealed drawer slide(19mm with handle) - American type

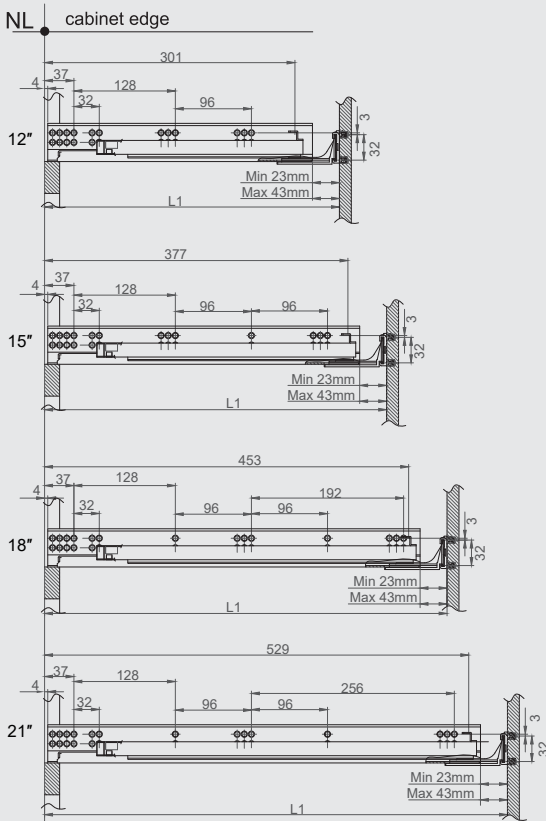


Technical specifications:

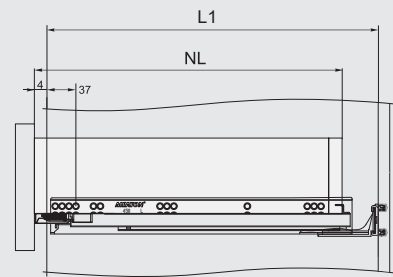
- Main material: galvanized sheet.
- Max loading capacity: 30kg.
- Life guarantee:50,000 cycles.
- Usage: variety of drawers.
- Thickness of board: ≤16mm.

Undermount Slide

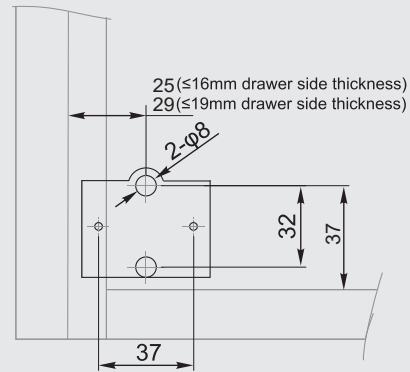
Installation dimensions



| NL | NL | Min L1 | Max L1 |
|-----|-----|--------|--------|
| 12" | 305 | 338 | 358 |
| 15" | 381 | 416 | 436 |
| 18" | 457 | 494 | 514 |
| 21" | 533 | 568 | 588 |

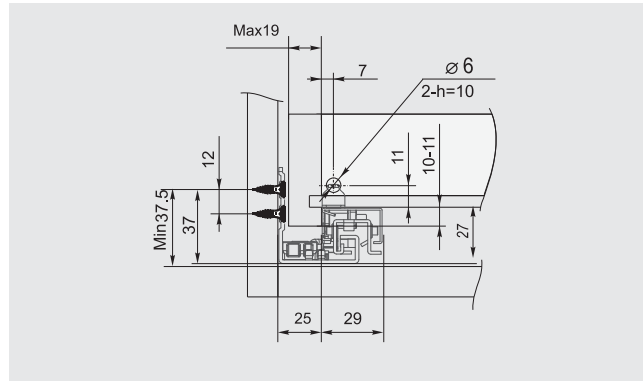
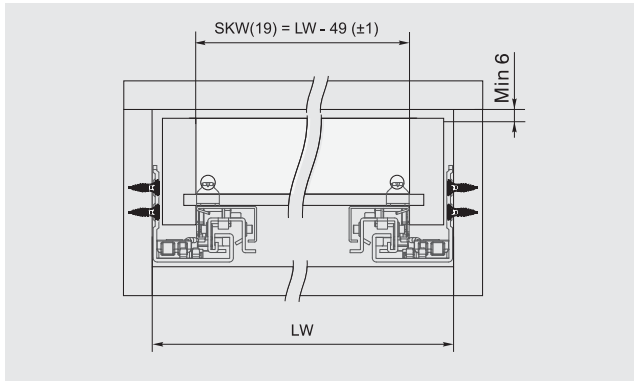


Standard drawer
NL - nominal slide length



LT - Cabinet inner depth
NL - Nominal slide length
X - Board thickness

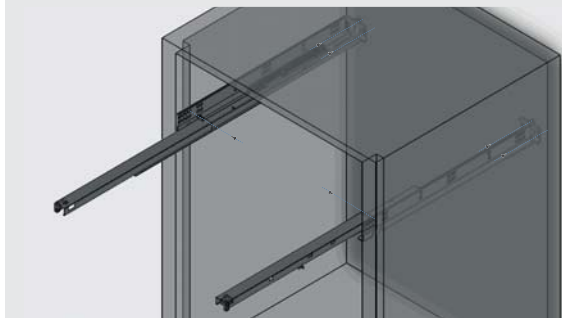
3-Fold concealed push-open drawer slide(19mm with handle) - American type



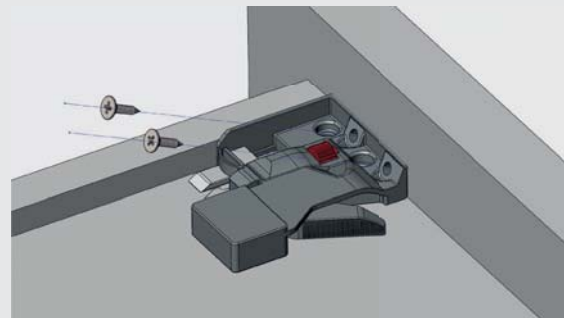
LW - Cabinet inner width
 SKW(19) - Drawer inner width(≤19mm drawer side thickness)

Installation

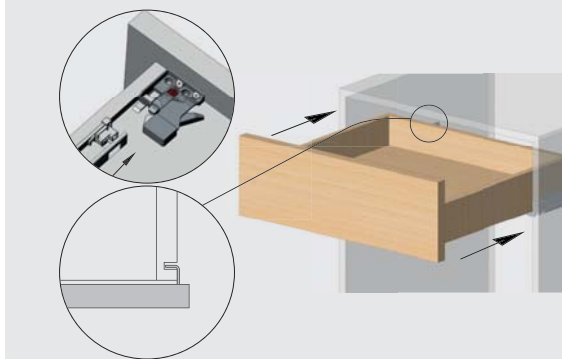
1. Install the slides on the cabinet



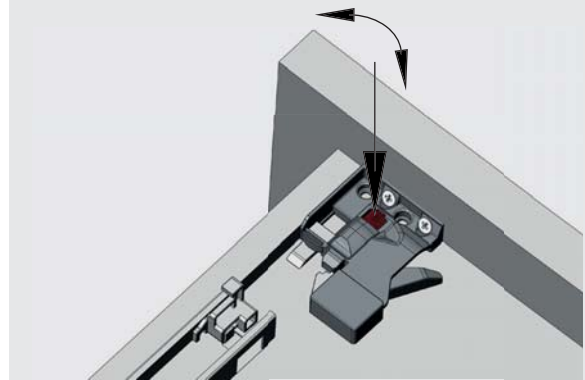
2. Install left/ right handle in the front of the drawer



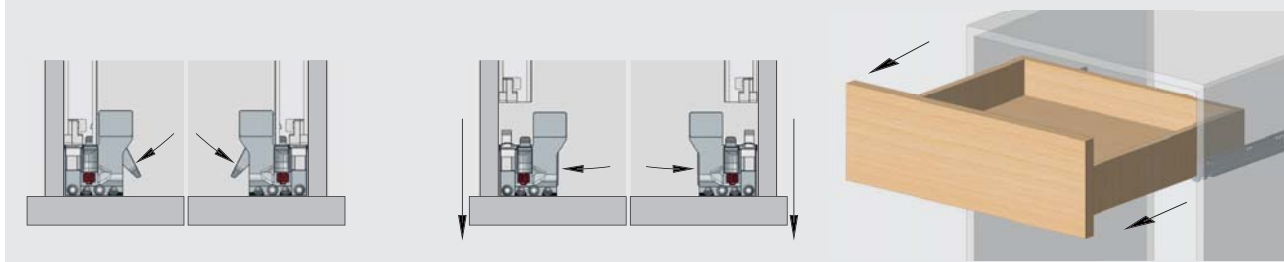
3. Install the drawer on the slides, slide hooks insert into the pre-drilled holes on the drawer back panel



4. Adjust the front panel with plastic wheel on the handle, 0-2.5mm



5. Push the handle lever to unlock the drawer, then pull out the drawer



PUSH - OPEN

DP6201

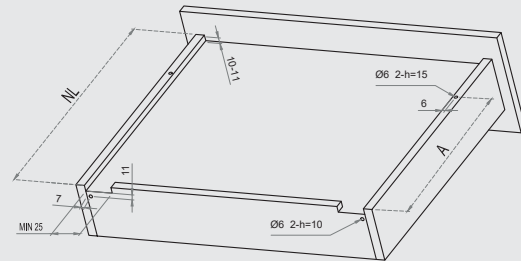
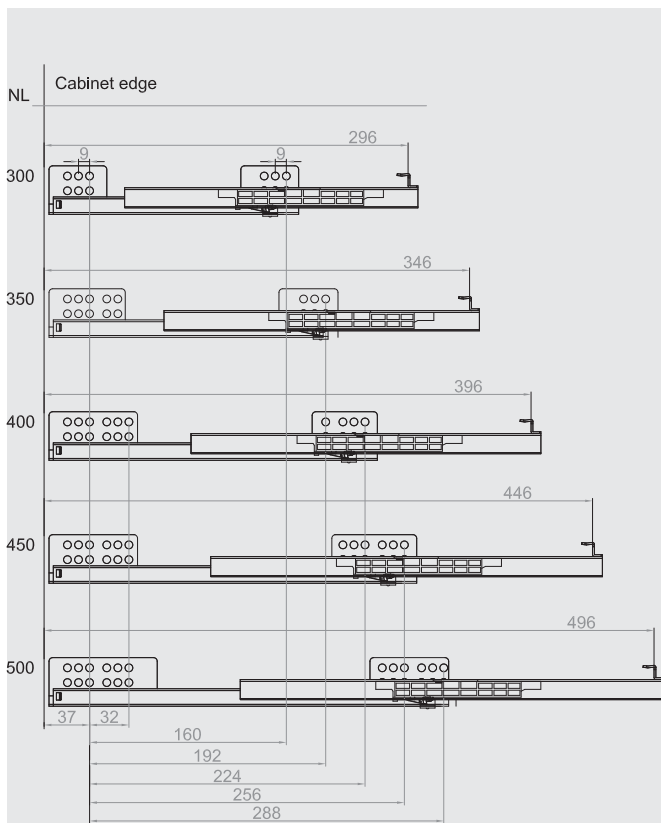
2-Fold light concealed drawer slide(16mm with bolt locking)



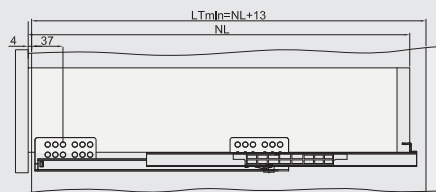
Technical specifications:

- Main material: galvanized sheet.
- Max loading capacity: 20kg.
- Life guarantee: 40,000 cycles.
- Thickness of board: ≤16mm.

Installation dimensions



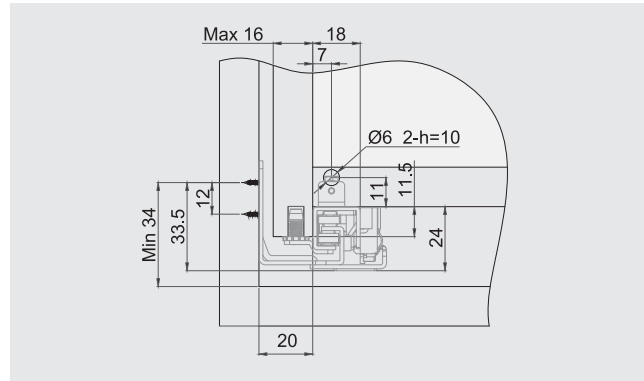
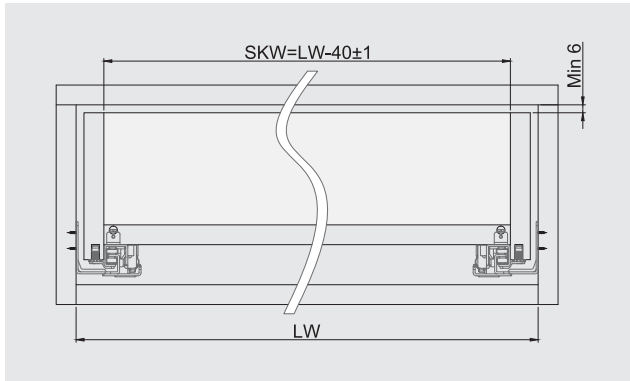
| | | | | | | |
|----|-------|-------|-------|-------|-------|-------|
| NL | 250 | 300 | 350 | 400 | 450 | 500 |
| A | 188.5 | 188.5 | 221.5 | 249.5 | 283.5 | 309.5 |



Standard drawer

LT - Cabinet inner depth
 NL - Nominal slide length
 X - Board thickness

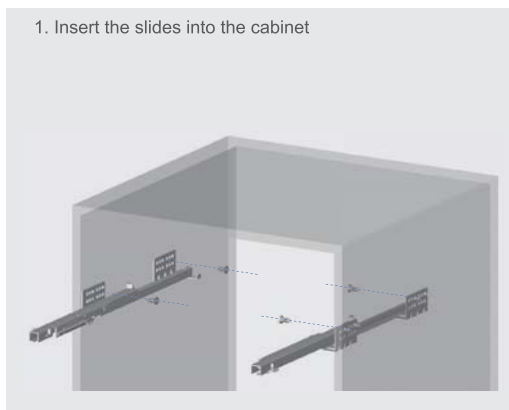
2-Fold light concealed push-open drawer slide(16mm with bolt locking)



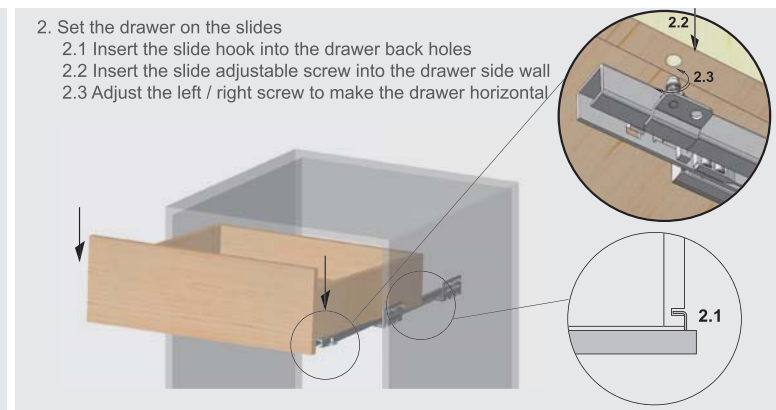
LW - Cabinet inner width
SKW(16) - Drawer inner width(≤16mm drawer side thickness)

Installation

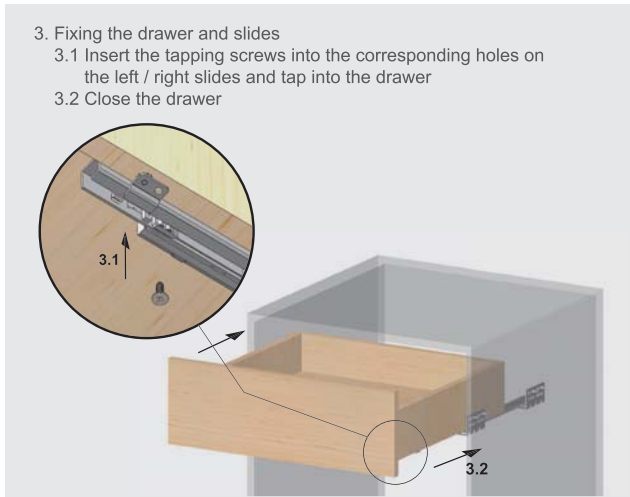
1. Insert the slides into the cabinet



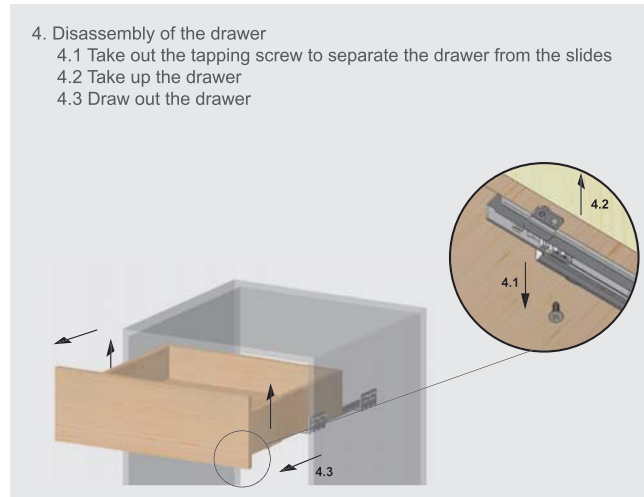
2. Set the drawer on the slides
2.1 Insert the slide hook into the drawer back holes
2.2 Insert the slide adjustable screw into the drawer side wall
2.3 Adjust the left / right screw to make the drawer horizontal



3. Fixing the drawer and slides
3.1 Insert the tapping screws into the corresponding holes on the left / right slides and tap into the drawer
3.2 Close the drawer



4. Disassembly of the drawer
4.1 Take out the tapping screw to separate the drawer from the slides
4.2 Take up the drawer
4.3 Draw out the drawer



PUSH - OPEN

DP6331

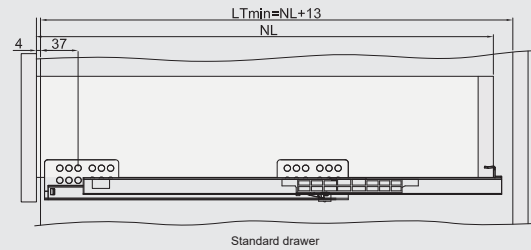
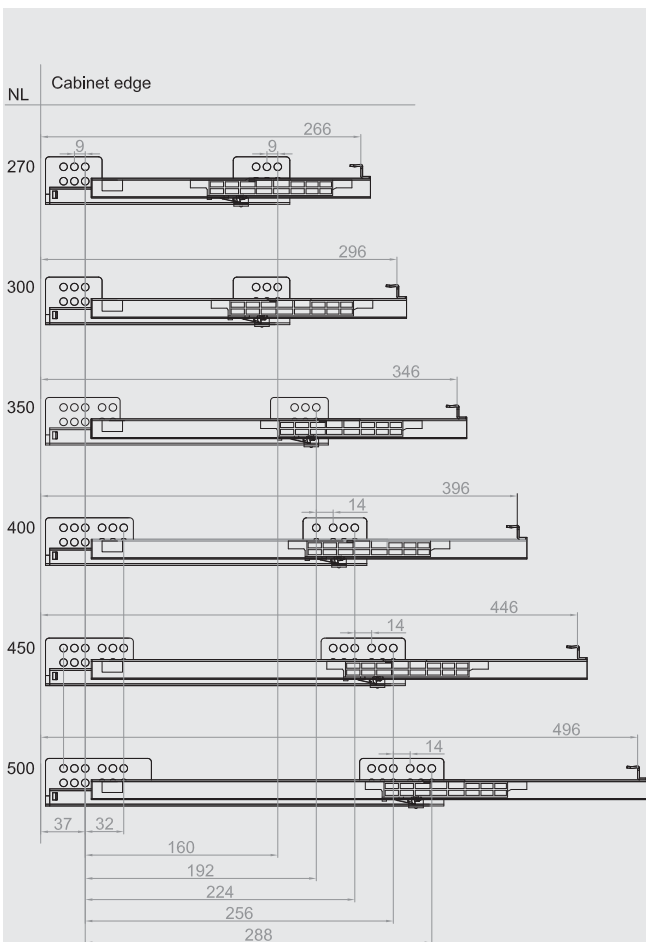
2-Fold light concealed drawer slide(16mm with handle)



Technical specifications:

- Main material: galvanized sheet.
- Max loading capacity: 20kg.
- Life guarantee: 40,000 cycles.
- Thickness of board: ≤16mm.

Installation dimensions

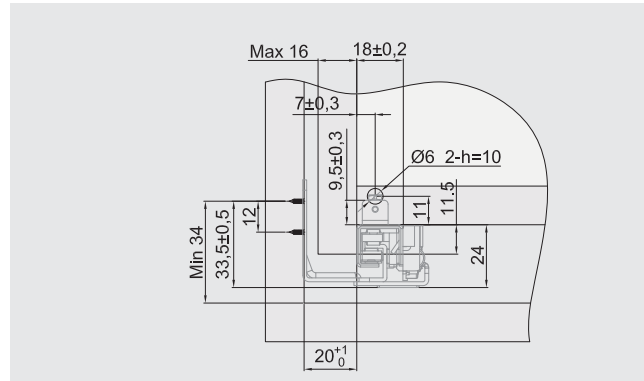
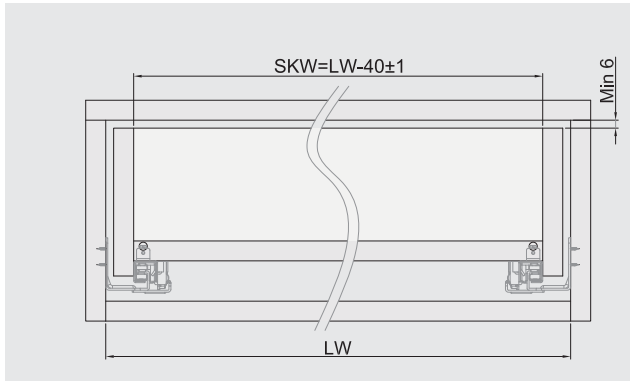


LT - Cabinet inner depth
 NL - Nominal slide length
 X - Board thickness



Undermount Slide

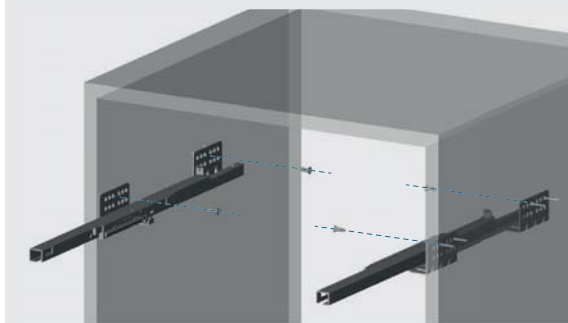
2-Fold light concealed push-open drawer slide(16mm with handle)



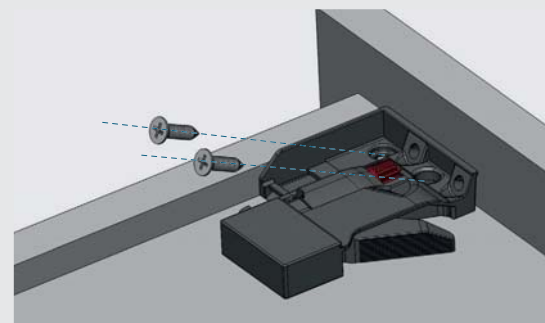
LW - Cabinet inner width
 SKW(16) - Drawer inner width($\leq 16\text{mm}$ drawer side thickness)

Installation

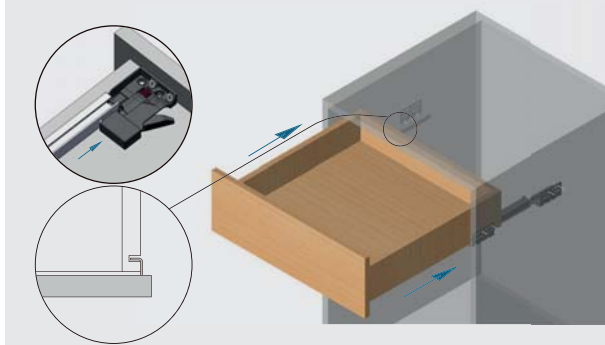
1. Install the slides on the cabinet



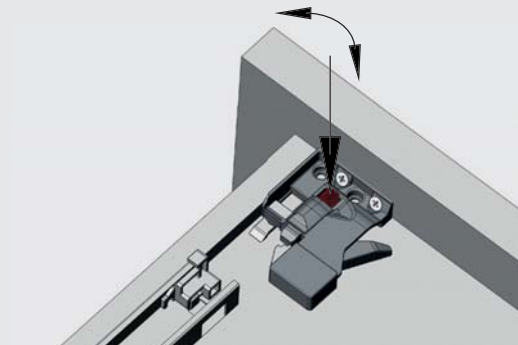
2. Install left/ right handle in the front of the drawer



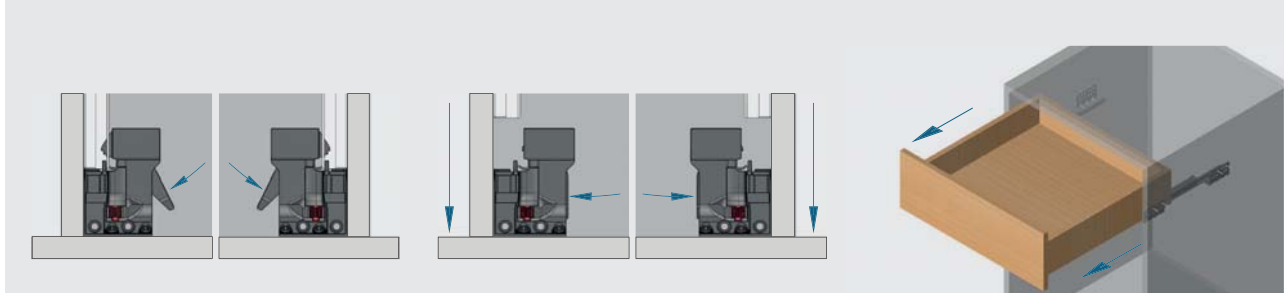
3. Install the drawer on the slides, slide hooks insert into the pre-drilled holes on the drawer back panel



4. Adjust the front panel with plastic wheel on the handle, 0-2.5mm



5. Push the handle lever to unlock the drawer, then pull out the drawer



SOFT - CLOSING & PUSH - OPEN

DG3325 & DG5325

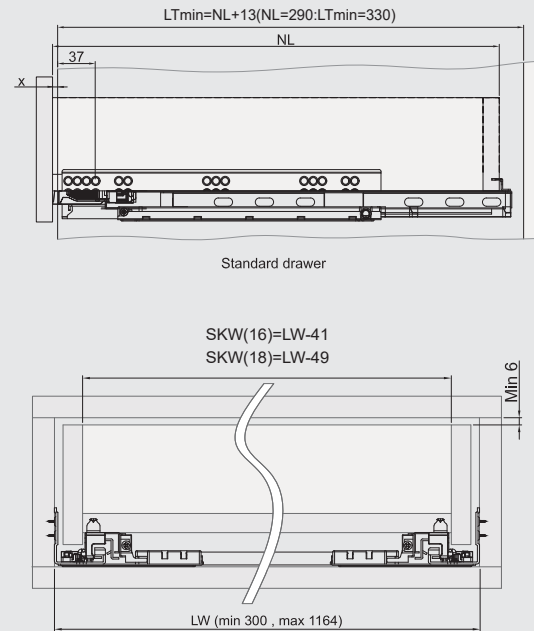
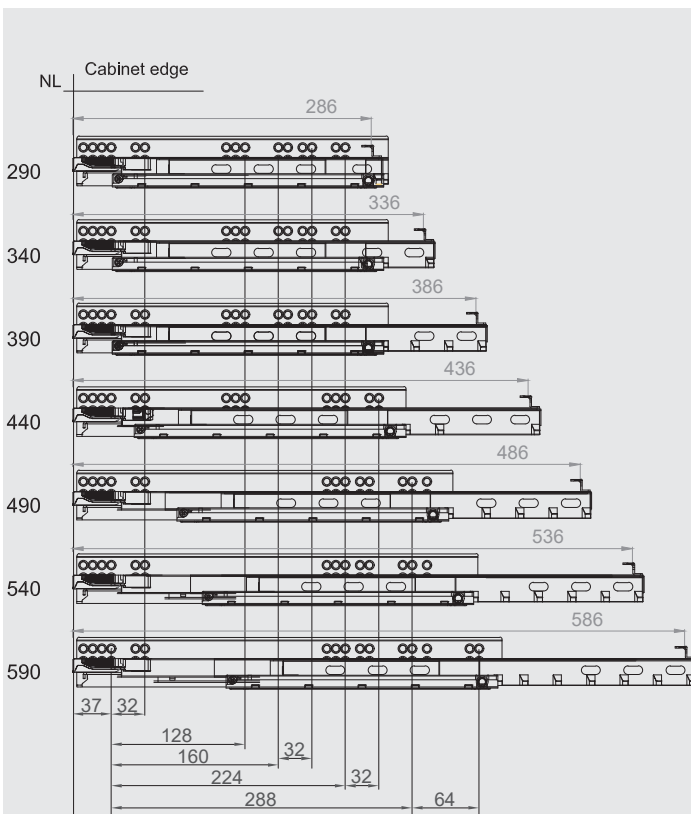
3-Fold 2 in 1 undermount slide(with handle)



Technical specifications:

- Main material: galvanized sheet.
- Max loading capacity: 30kg.
- Life guarantee: 50,000 cycles.
- Thickness of board: DG3325: ≤16mm
DG5325: ≤18mm

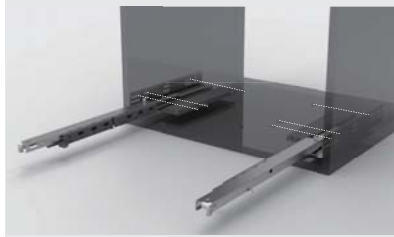
Installation dimensions



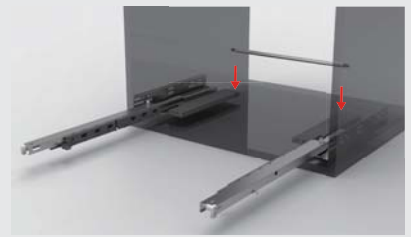
- LT - Cabinet inner depth
- NL - Nominal slide length
- X - min 3 mm , max 7 mm
- LW - Cabinet inner width
- SKW(16) - Drawer inner width(≤16mm drawer side thickness)
- SKW(18) - Drawer inner width(≤18mm drawer side thickness)

3-Fold soft-closing & push-open 2 in 1 undermount slide(with handle)

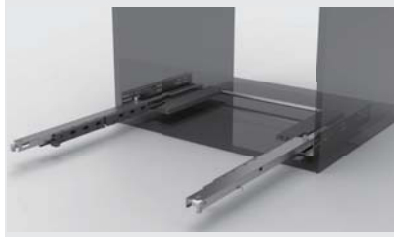
1. Install the slides on the cabinet



2. Install the synchronized linkage on the slides



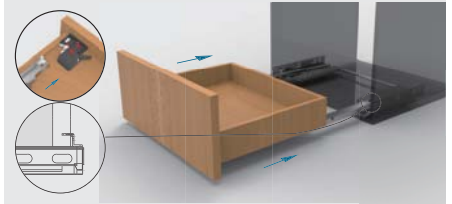
Install the synchronized linkage on the slides



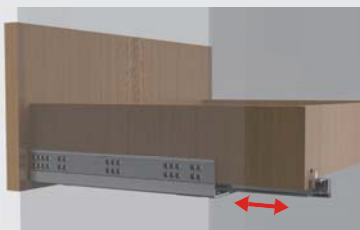
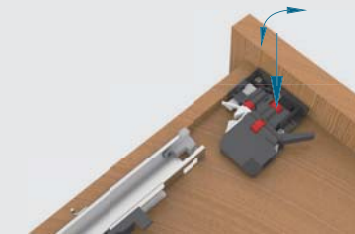
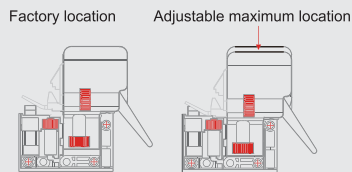
3. Install left/ right handle in the front of the drawer



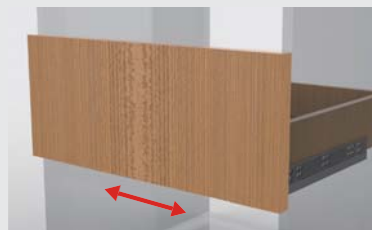
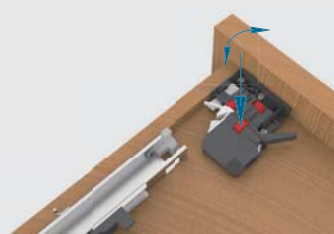
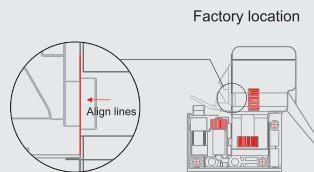
4. Install the drawer on the slides, slide hooks insert into the pre-drilled holes on the drawer back panel



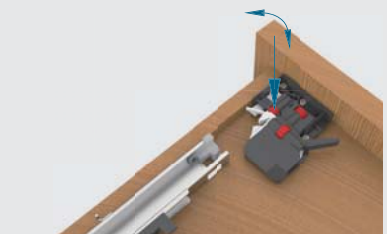
5. Adjust the front panel with plastic wheels on the handle.
5.1 Front and back adjustment ± 2 mm.



5.2 Left and right adjustment ± 2 mm.



5.3 Up and down adjustment 0-3mm.



6. Push the handle

